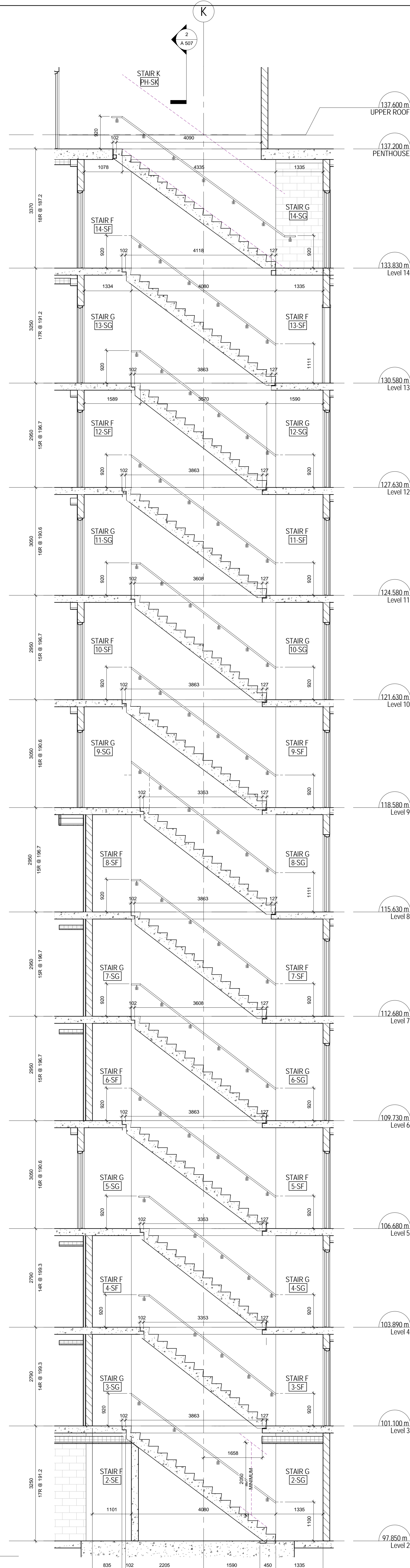
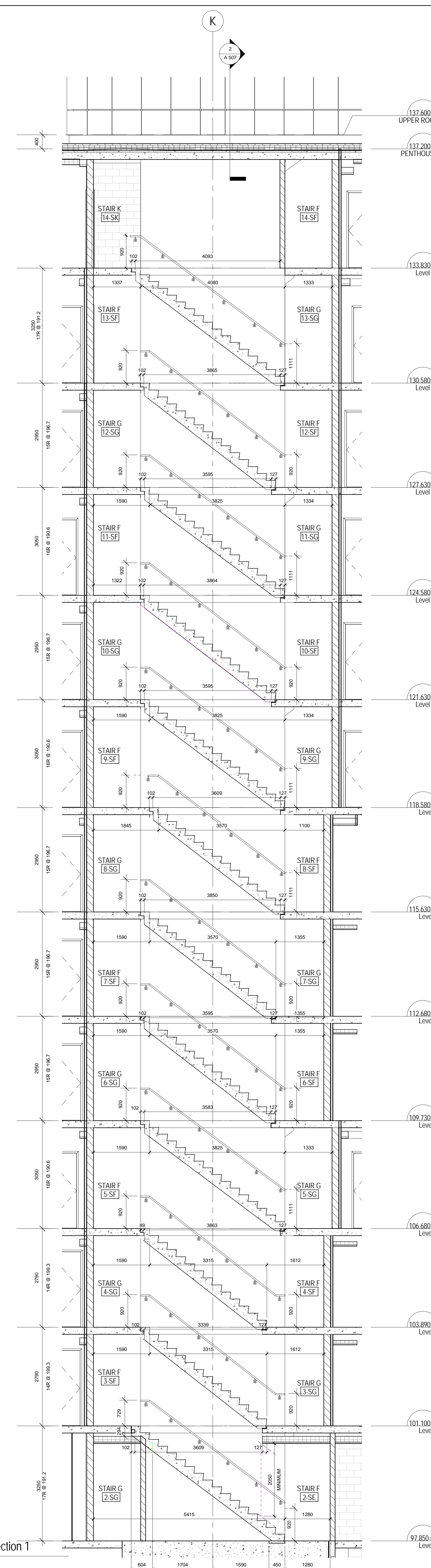


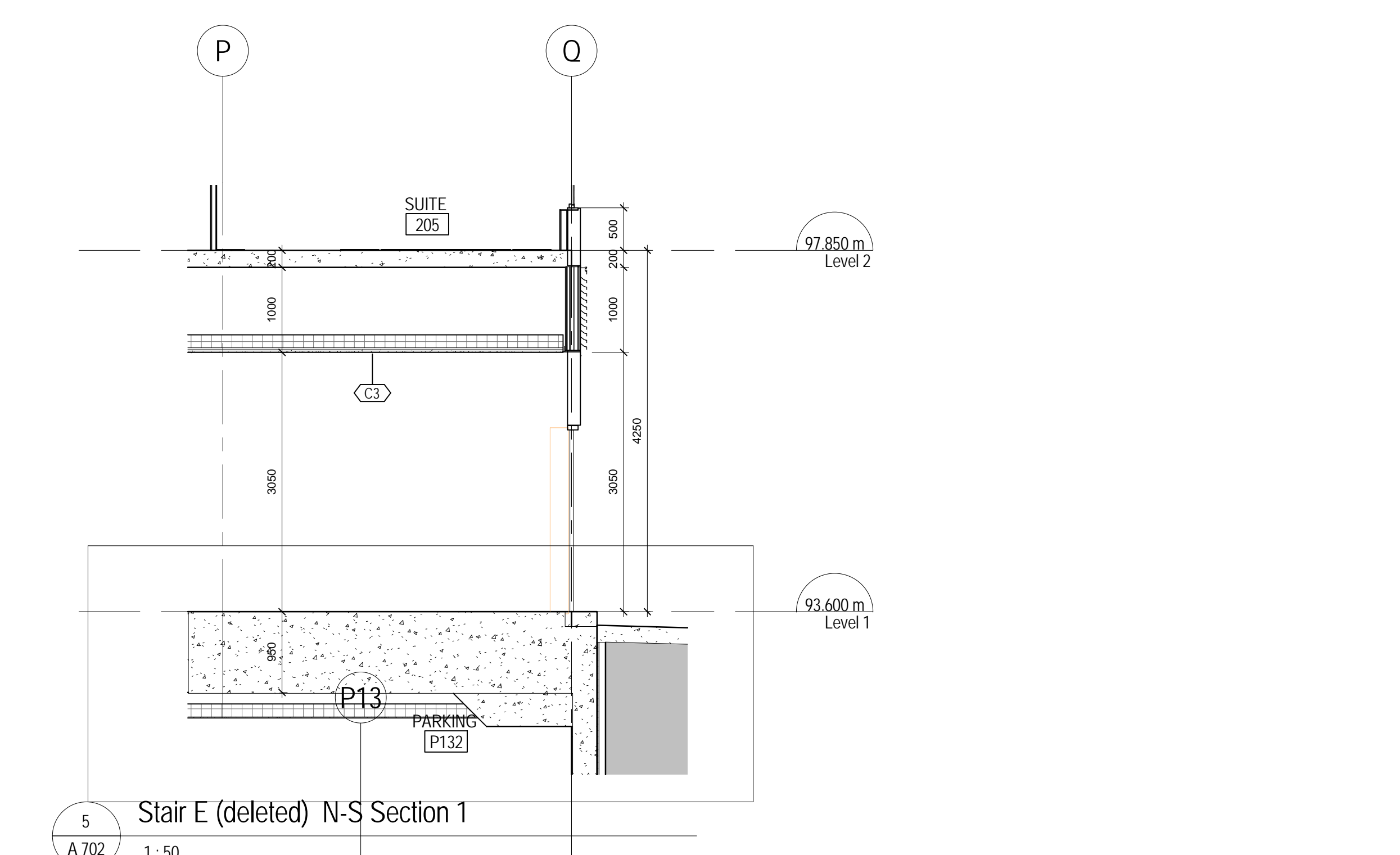
THIS DRAWING IS THE PROPERTY OF TRIDEL AND IS NOT TO BE REPRODUCED OR TRANSMITTED IN ANY FORM OR BY ANY MEANS, ELECTRONIC OR MECHANICAL, INCLUDING PHOTOCOPYING, RECORDING, OR BY ANY INFORMATION STORAGE AND RETRIEVAL SYSTEM, WITHOUT THE WRITTEN PERMISSION OF TRIDEL. THE QUALITY OF THE INFORMATION IS PROVIDED IS NOT GUARANTEED. TRIDEL IS NOT RESPONSIBLE FOR ANY DAMAGE OR LIABILITY ARISING FROM THE USE OF THIS DRAWING. THE USER OF THIS DRAWING SHALL BE RESPONSIBLE FOR OBTAINING ALL NECESSARY PERMITS AND APPROVALS FROM THE APPROPRIATE AUTHORITIES. TRIDEL ARCHITECTS INC. 100 KING STREET WEST, TORONTO, ONTARIO M5X 1C4. TEL: 416-593-8888. WWW.TRIDEL.COM



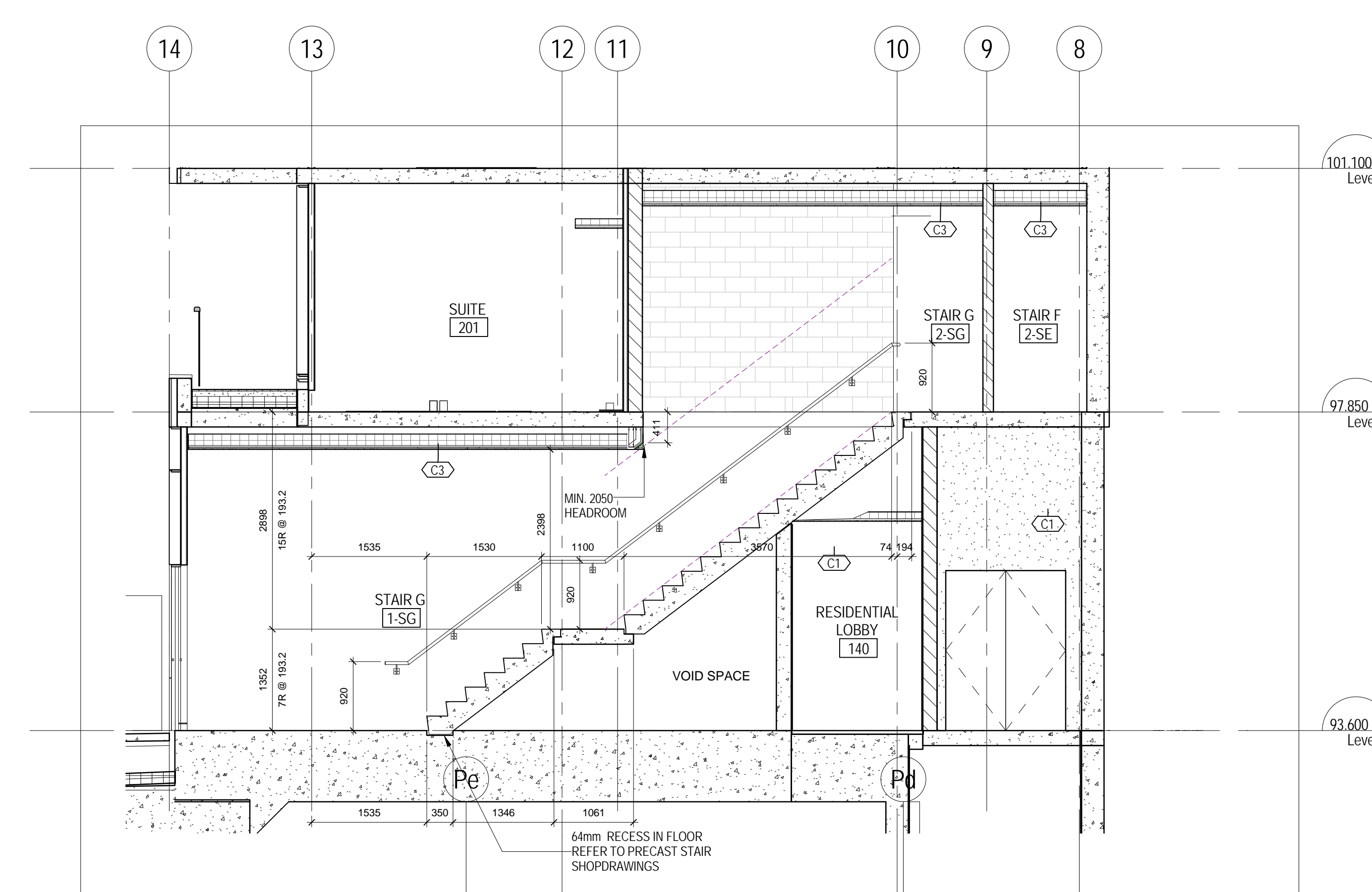
4 Stair F G N-S Section 2
A 702 1:50



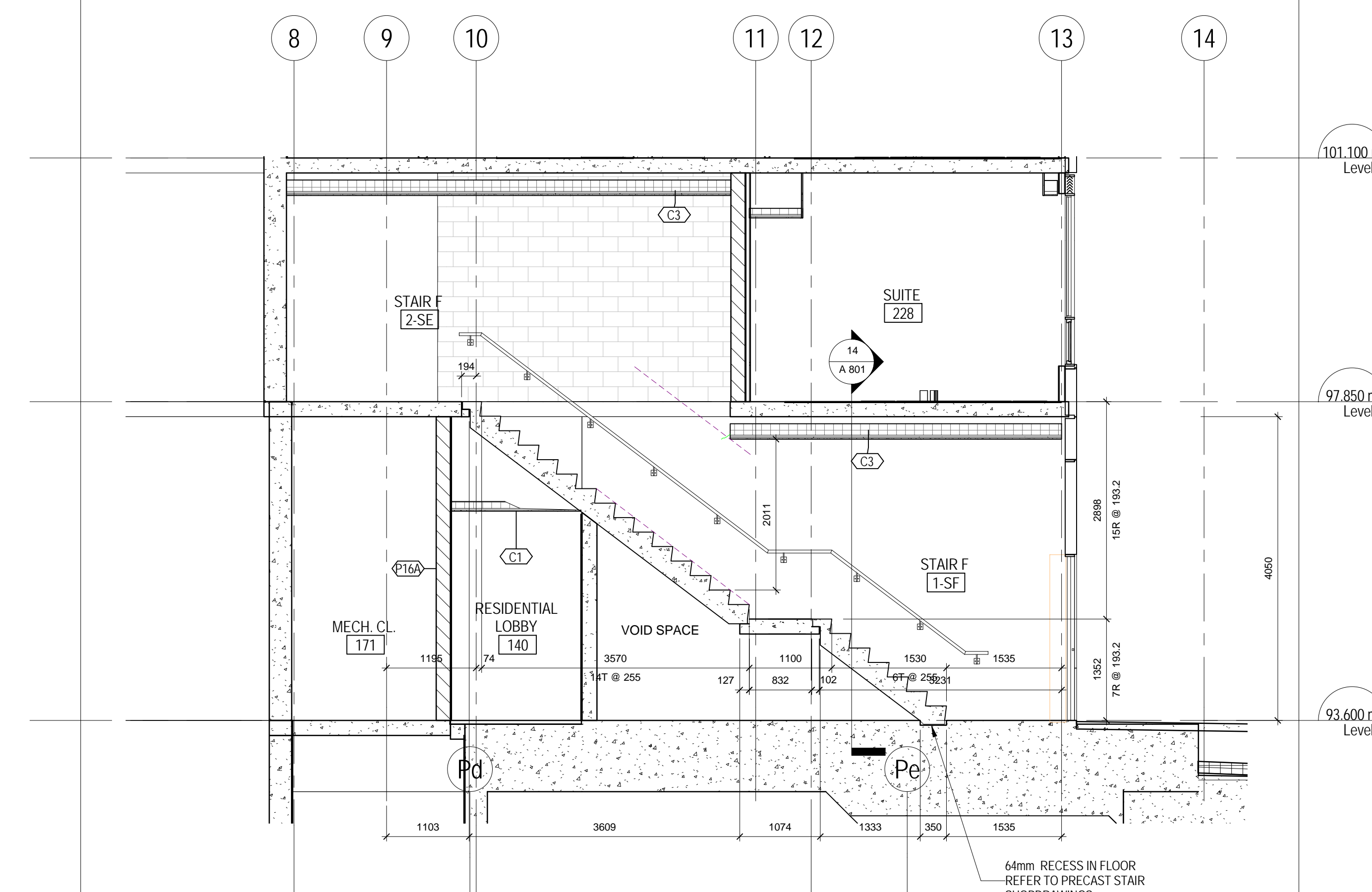
2 Stair F G N-S Section 1
A 702 1:50



5 Stair E (deleted) N-S Section 1
A 702 1:50



3 Stair G E-W Section 1
A 702 1:50



1 Stair F E-W Section 1
A 702 1:50

METRIC SCALE DRAWING
FIRST FLOOR ELEV. +93.60m

NO.	ISSUED / REVISION FOR	DATE
1	Issued for 50% Completion	2014-06-23
2	Issued for Permit	2014-06-23
3	Issued for Coordination	2014-08-22
4	Revised for Permit	2014-07-10
5	Revised for Permit	2014-08-22
6	Issued for Tender	2014-08-23
7	Issued for Tender	2014-08-23
8	Issued for AS-BID	2015-01-05
9	Issued for AS-BID	2015-01-05
10	Issued for Tender	2015-01-05
11	Issued for AS-BID RFI	2015-01-29
12	Issued for AS-BID	2015-01-17
13	Issued for Drywall Tender	2015-08-19

SQ ALEXANDRA PARK - BLOCK 11
38 CAMERON ST., TORONTO, ONTARIO M5T 2H2

project no: 12-115
scale: 1:50
drawn by: RC
reviewed by: SA
date: 2014-09-25

Teeples Architects
1200 BAY STREET, TORONTO, ONTARIO M5T 1A5
STAIR PLANS & SECTIONS