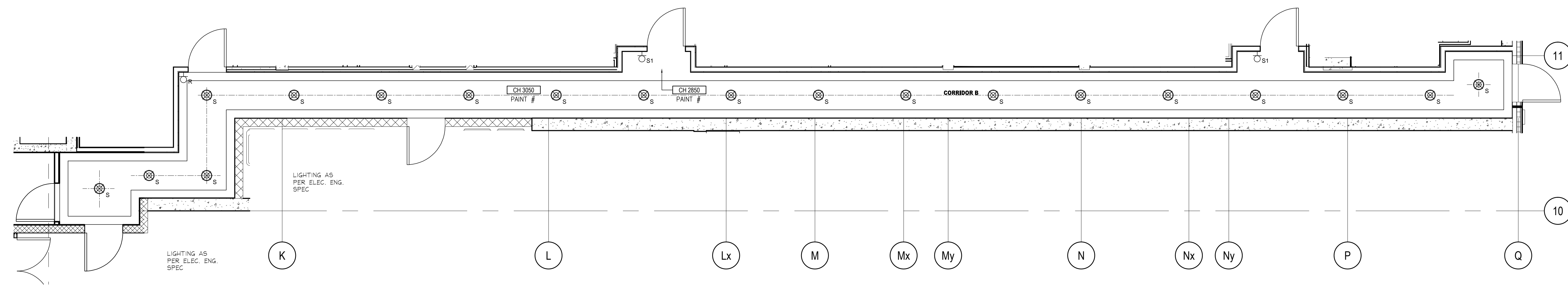
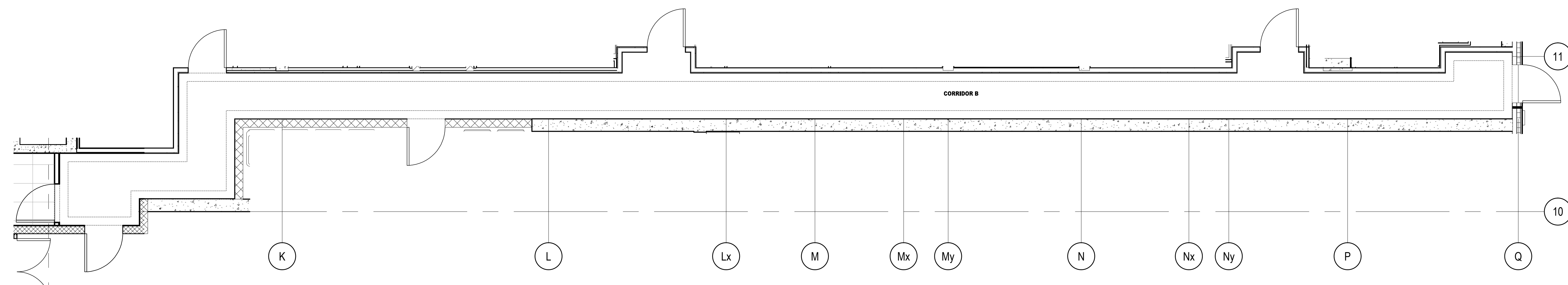


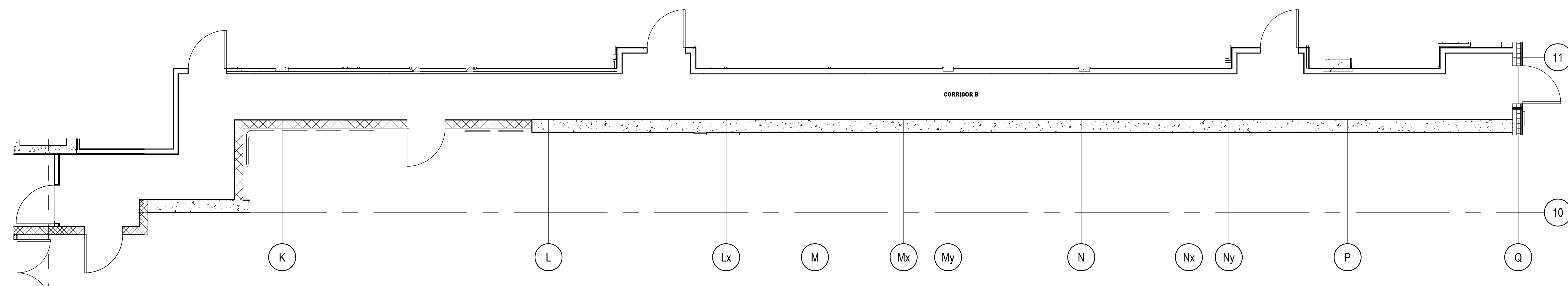
1 CONSTRUCTION PLAN  
GROUND FLOOR SCALE 1/50



2 REFLECTED CEILING PLAN  
GROUND FLOOR SCALE 1/50



3 FLOOR FINISHES PLAN  
GROUND FLOOR SCALE 1/50



4 WALL FINISHES PLAN  
GROUND FLOOR SCALE 1/50

**DO NOT SCALE DRAWINGS.**

CONTRACTOR MUST VERIFY ALL DRAWINGS, DIMENSIONS, DETAILS AND SPECIFICATIONS, AND REPORT ANY DISCREPANCIES TO UNION31 INC. BEFORE PROCEEDING WITH WORK. MATERIALS MAY NOT BE SUBSTITUTED WITHOUT WRITTEN APPROVAL FROM UNION31 INC.  
ALL DRAWINGS AND SPECIFICATIONS ARE INSTRUMENTS OF SERVICE AND THE PROPERTY OF UNION31 INC. WHICH MUST BE RETURNED AT THE COMPLETION OF THE WORK.

PRINTED: 10-Jun-14

NO.	DATE	COMMENTS	INI
REVISIONS:			

UNION31

**UNION31 INC.**  
183 BATHURST STREET, STE. 201  
TORONTO, ON, M5T 2R7, CANADA  
TEL: 416-597-1576 FAX: 416-597-2139

PROJECT NAME:  
**ALEXANDRA PARK  
MAIN BUILDING**  
BLOCK 11  
ON, Canada

PROJECT NO.: 13-949

DRAWINGS:  
GROUND FLOOR / CORRIDOR  
CONSTRUCTION PLAN &  
REFLECTED CEILING PLAN  
FLOOR & WALL FINISHES PLANS

DATE STARTED: 07 AUG / 13	DRAWING NO.:
SCALE: 1 : 50	<b>ID</b>
DRAWN BY: AP	<b>1.1.5</b>
APPROVED BY: KC	