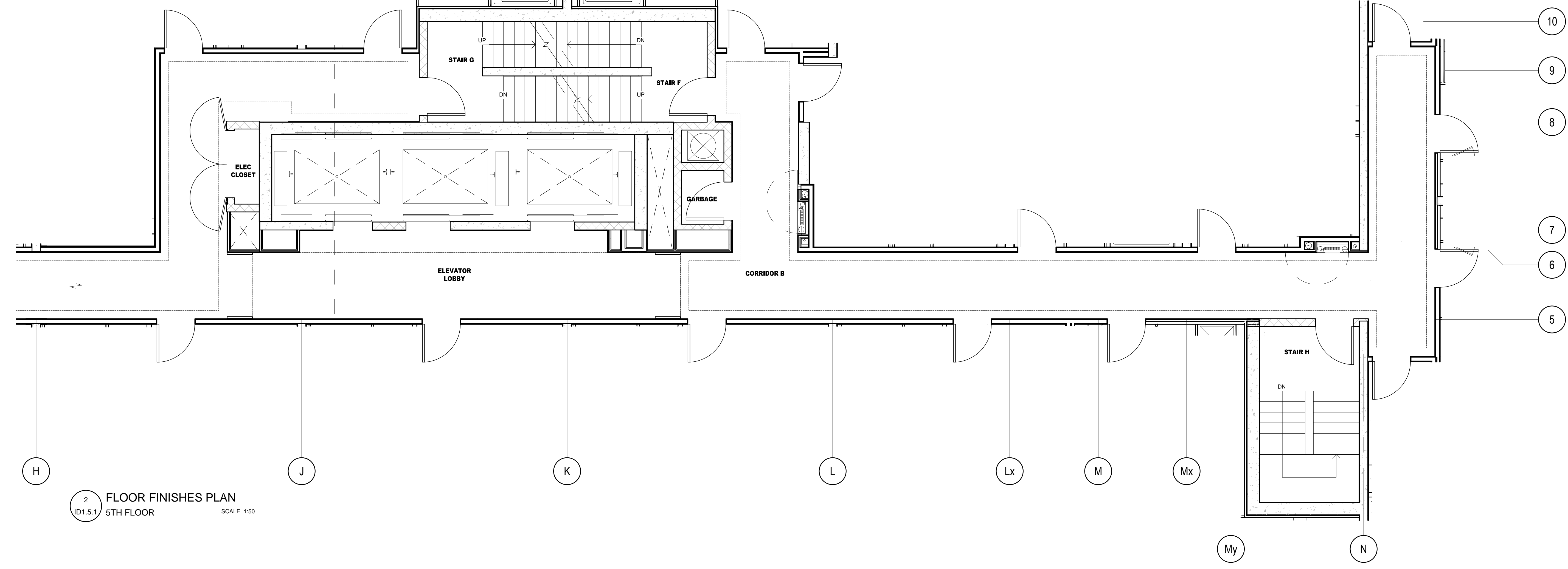
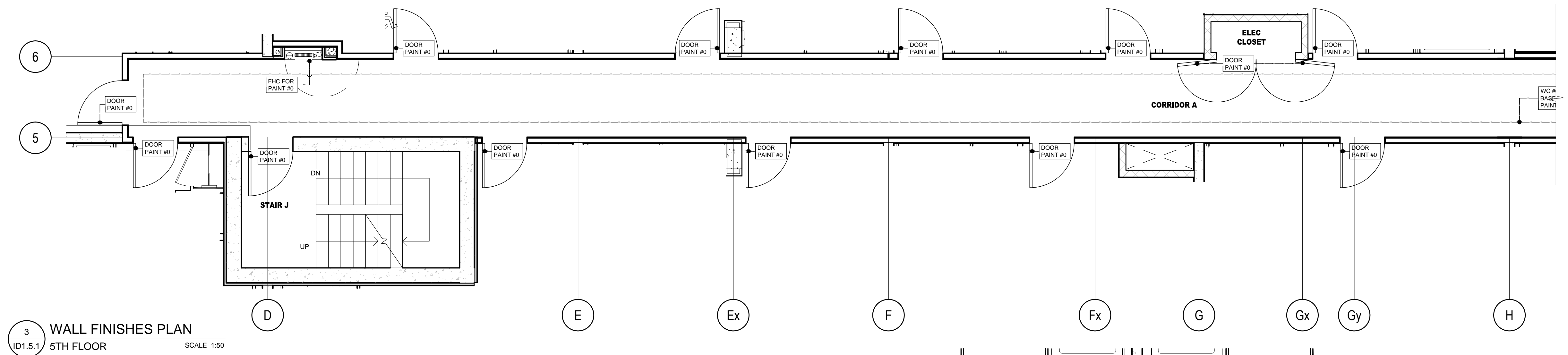


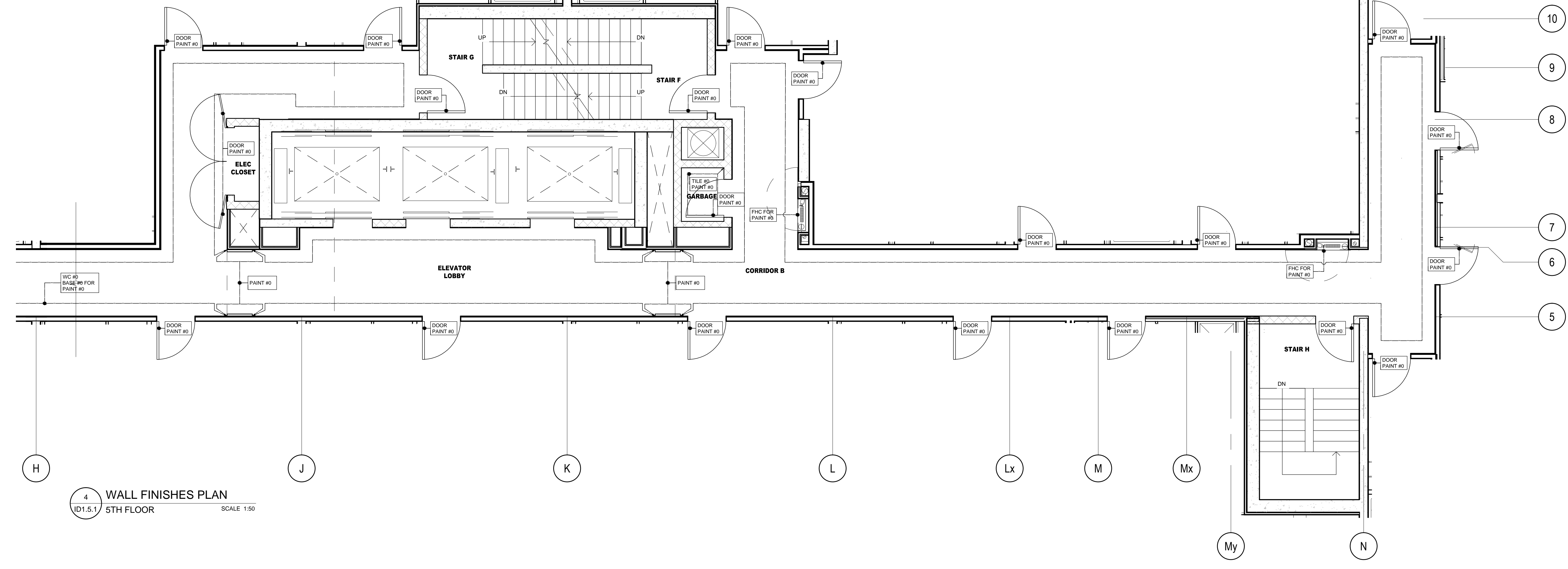
1 FLOOR FINISHES PLAN
5TH FLOOR SCALE 1:50



2 FLOOR FINISHES PLAN
5TH FLOOR SCALE 1:50



3 WALL FINISHES PLAN
5TH FLOOR SCALE 1:50



4 WALL FINISHES PLAN
5TH FLOOR SCALE 1:50

DO NOT SCALE DRAWINGS.
CONTRACTOR MUST VERIFY ALL DRAWINGS, DIMENSIONS, DETAILS AND SPECIFICATIONS, AND REPORT ANY DISCREPANCIES TO UNIOBI INC. BEFORE PROCEEDING WITH WORK. MATERIALS MAY NOT BE SUBSTITUTED WITHOUT WRITTEN APPROVAL FROM UNIOBI INC.
ALL DRAWINGS AND SPECIFICATIONS ARE INSTRUMENTS OF SERVICE AND THE PROPERTY OF UNIOBI INC. WHICH MUST BE RETURNED AT THE COMPLETION OF THE WORK.

PRINTED: 10-Jul-14

10
9
8
7
6
5

NO.	DATE	COMMENTS	INI

UNIOBI

UNIOBI INC.
183 BATHURST STREET, STE. 201
TORONTO, ON, M5T 2R7, CANADA
TEL: 416-597-1576 FAX: 416-597-2139

PROJECT NAME:	ALEXANDRA PARK MAIN BUILDING		
	BLOCK 11 ON, Canada		
PROJECT NO.:	13-949		
DRAWINGS:	5TH FLOOR FLOOR FINISHES PLAN & WALL FINISHES PLAN		
DATE STARTED:	07 AUG / 13	DRAWING NO.:	ID
SCALE:	1 : 50		1.5.1
DRAWN BY:	AP		
APPROVED BY:	KC		