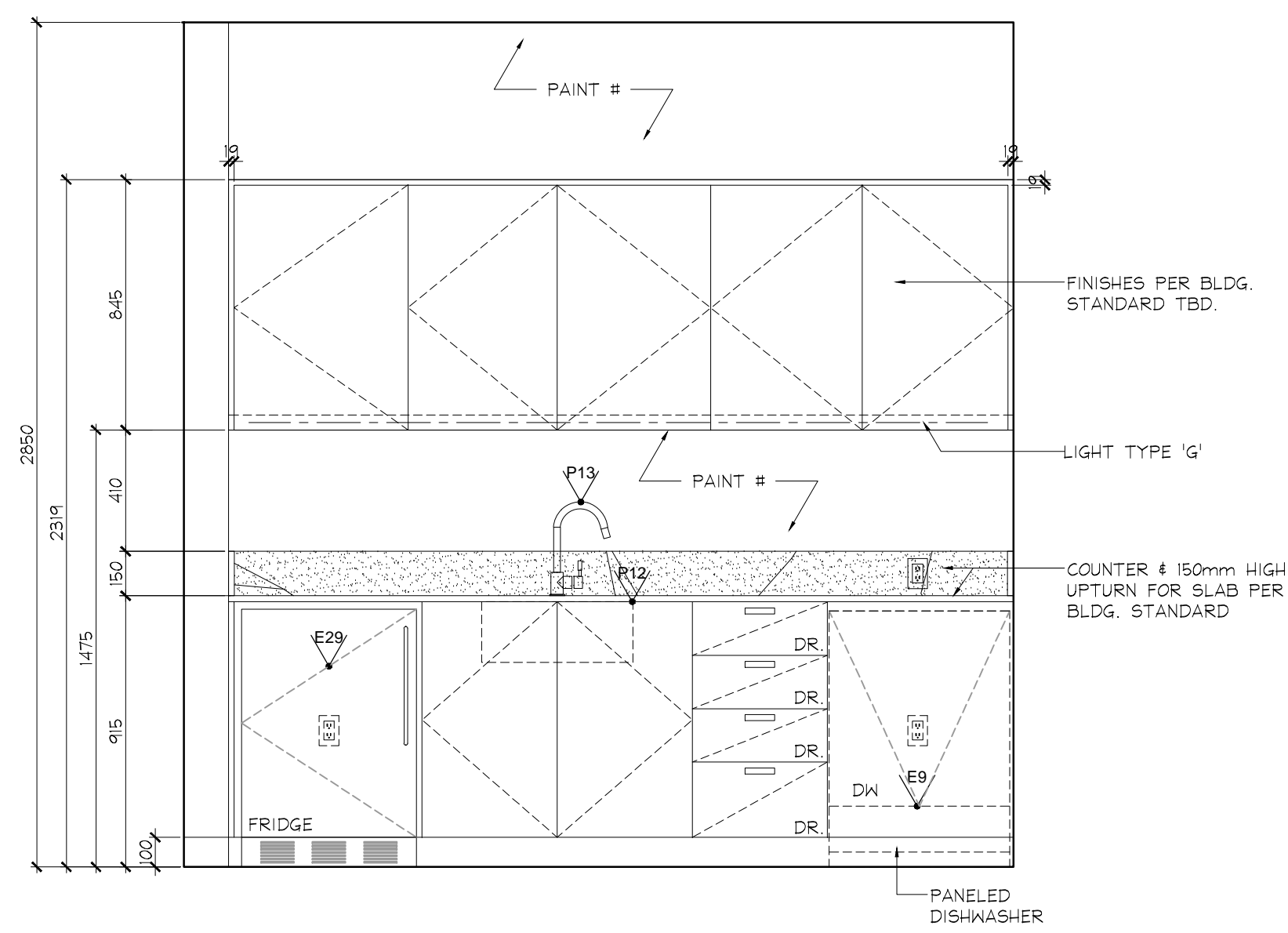


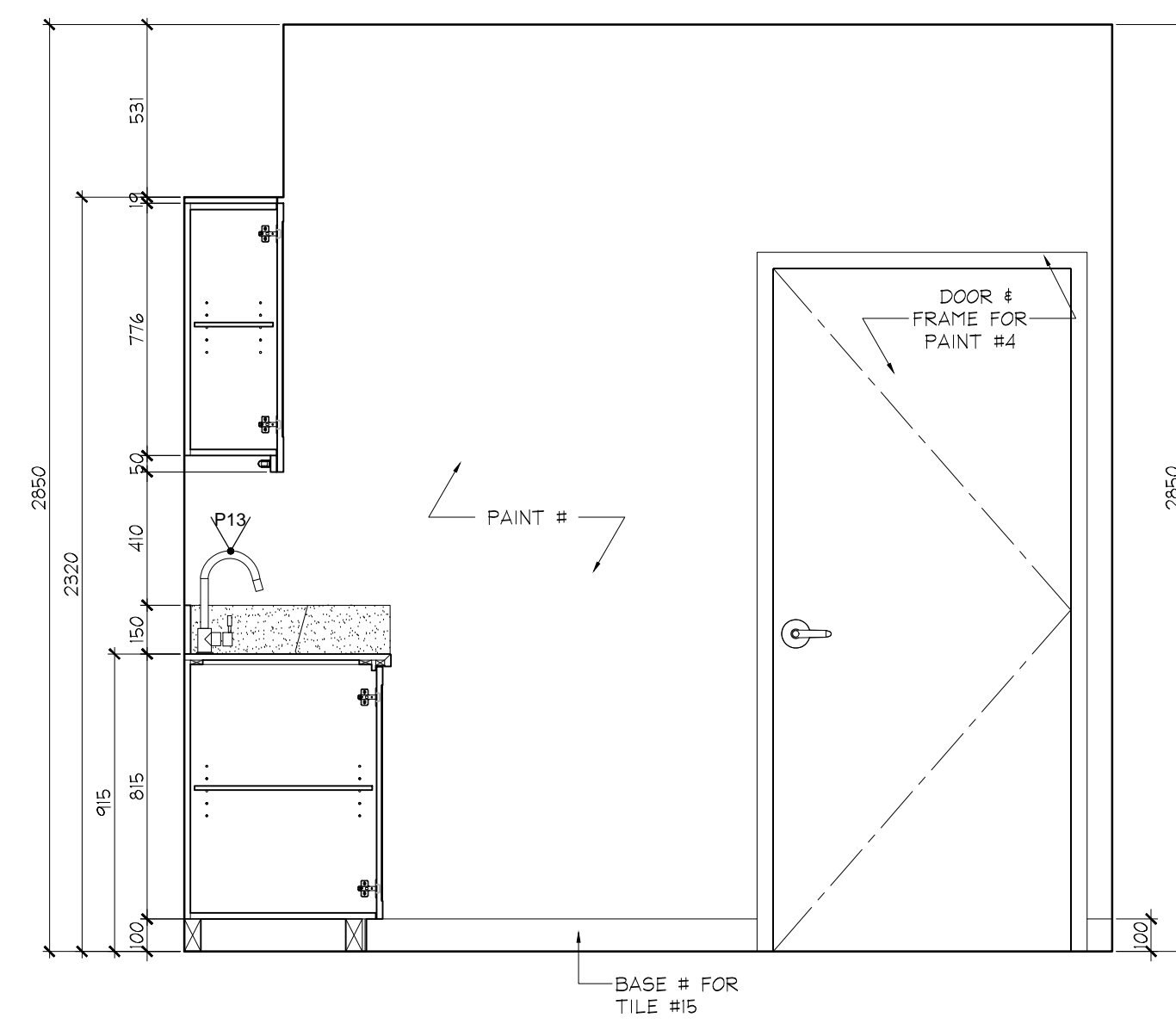
DO NOT SCALE DRAWINGS.

CONTRACTOR MUST VERIFY ALL DRAWINGS, DIMENSIONS, DETAILS AND SPECIFICATIONS, AND REPORT ANY DISCREPANCIES TO UNION 31 INC. BEFORE PROCEEDING WITH WORK. MATERIALS MAY NOT BE SUBSTITUTED WITHOUT WRITTEN APPROVAL FROM UNION 31 INC.
ALL DRAWINGS AND SPECIFICATIONS ARE INSTRUMENTS OF SERVICE AND THE PROPERTY OF UNION 31 INC. WHICH MUST BE RETURNED AT THE COMPLETION OF THE WORK.

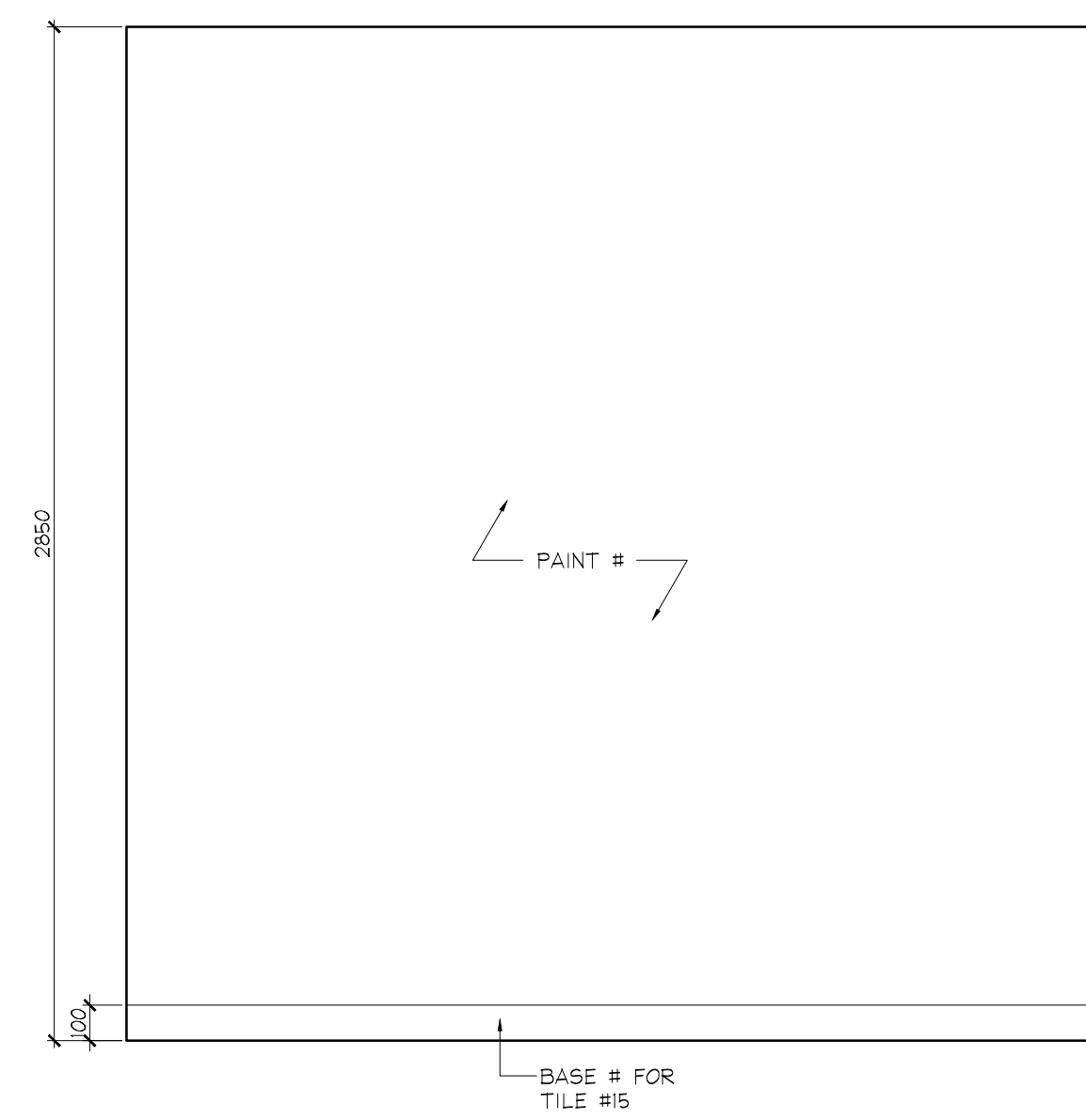
PRINTED: 26-JAN-15



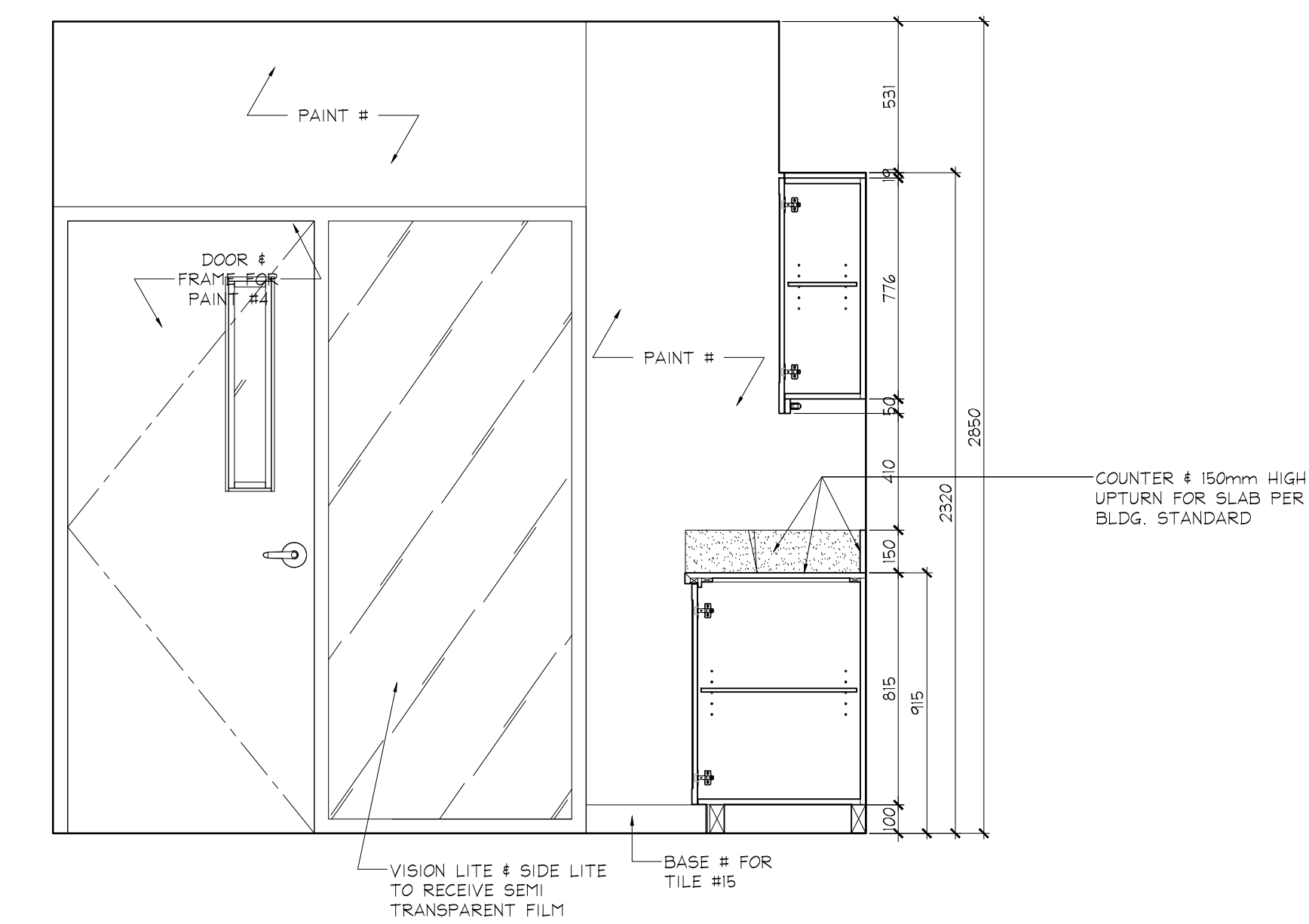
1 ELEVATION
ID2.0.2 P1 LEVEL
STAFF LUNCH ROOM
SCALE 1:20



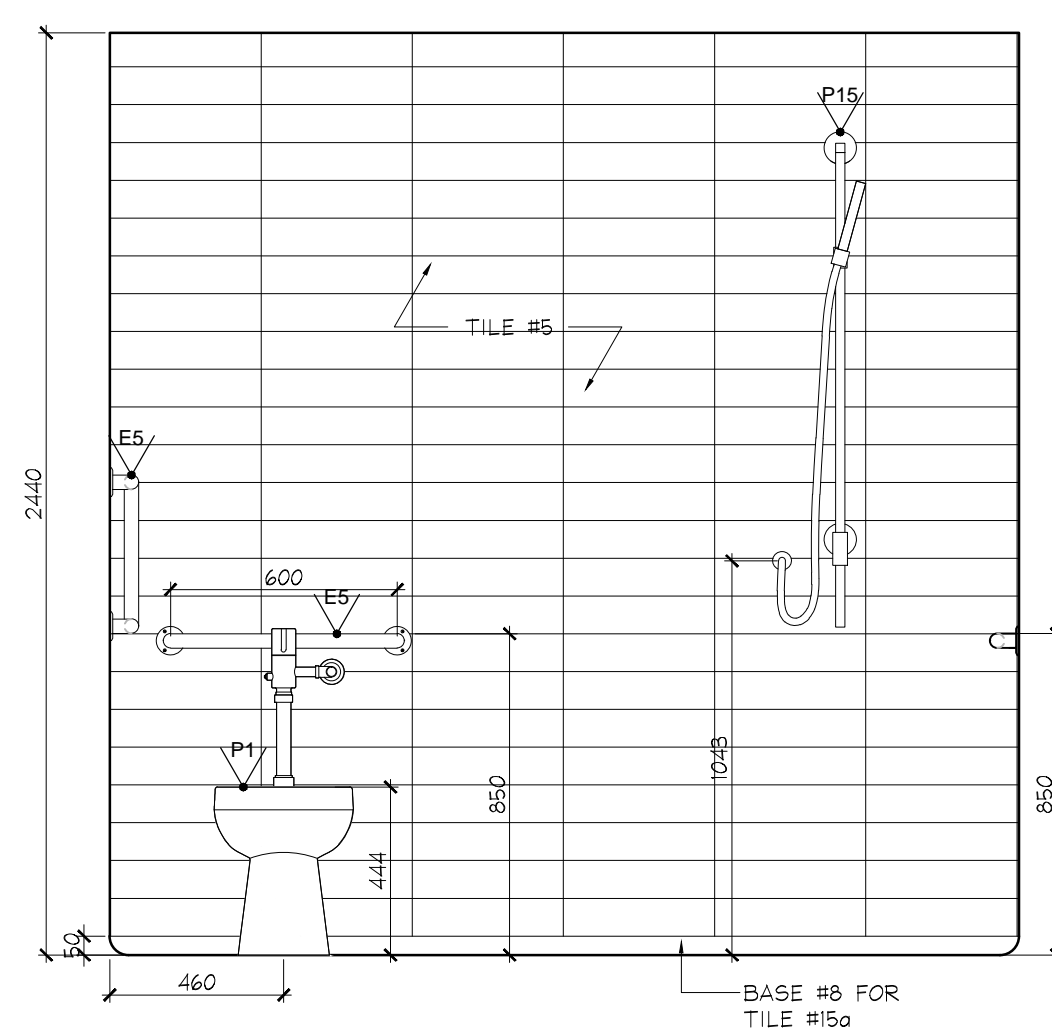
2 ELEVATION
ID2.0.2 P1 LEVEL
STAFF LUNCH ROOM
SCALE 1:20



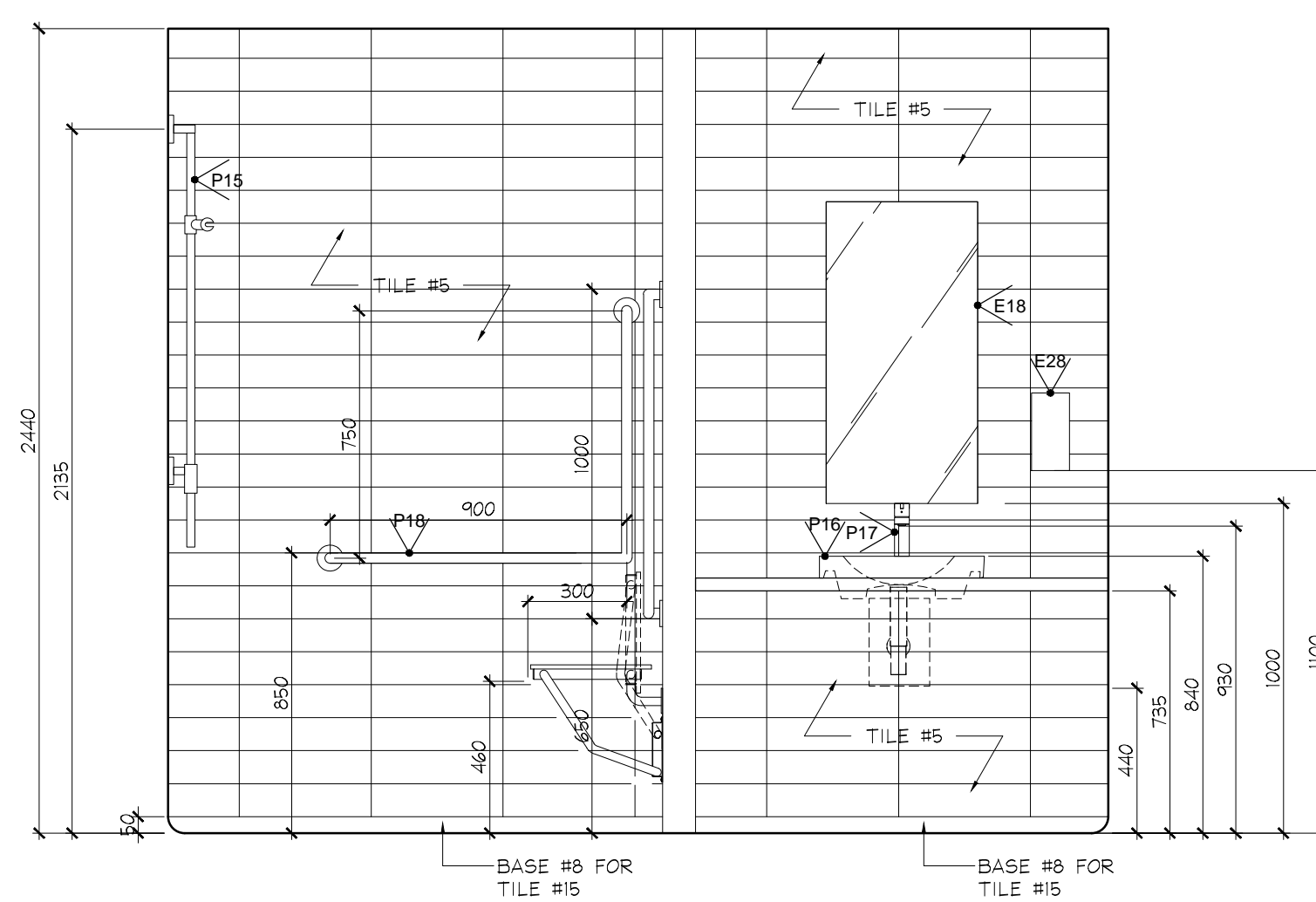
3 ELEVATION
ID2.0.2 P1 LEVEL
STAFF LUNCH ROOM
SCALE 1:20



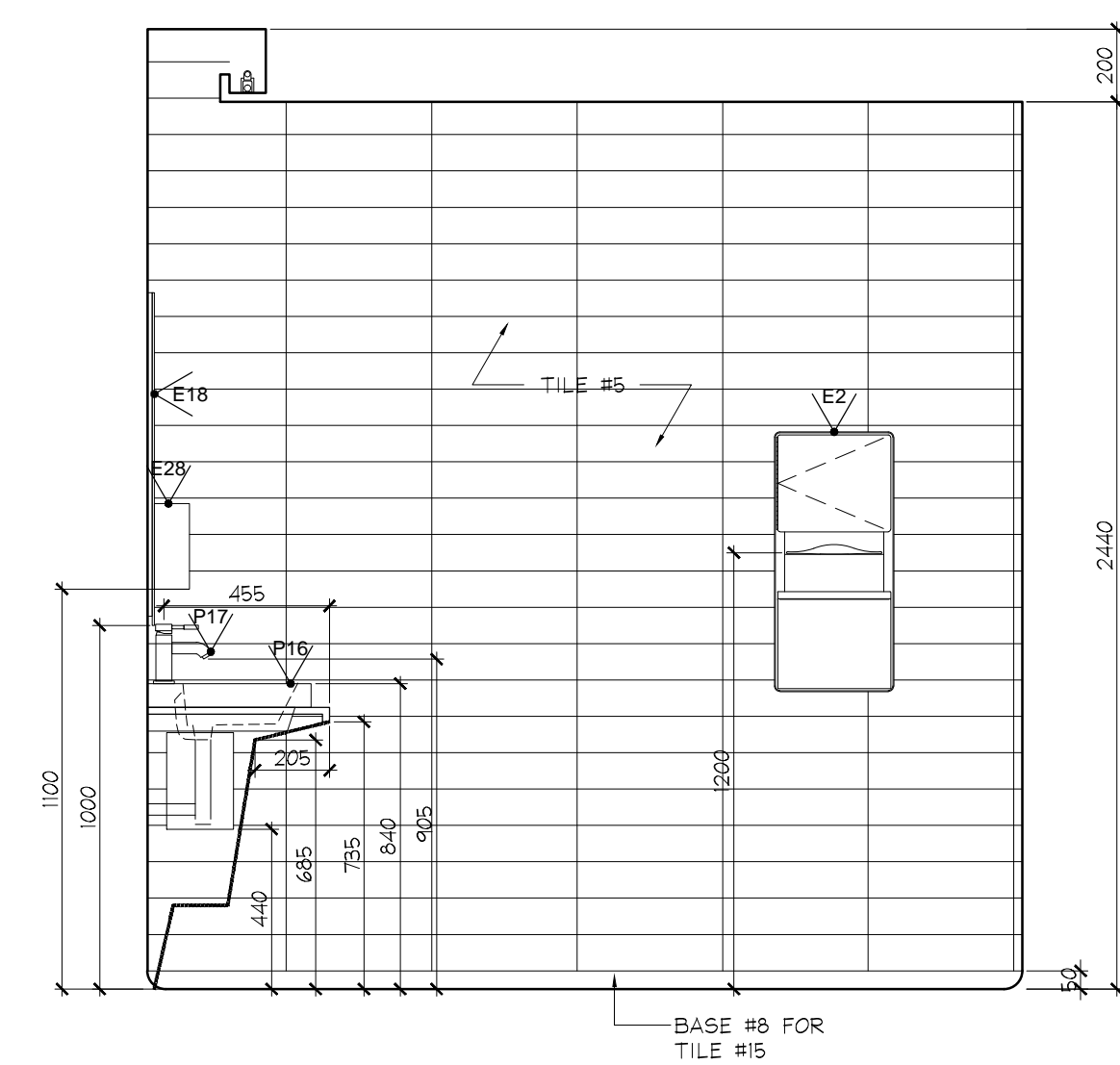
4 ELEVATION
ID2.0.2 P1 LEVEL
STAFF LUNCH ROOM
SCALE 1:20



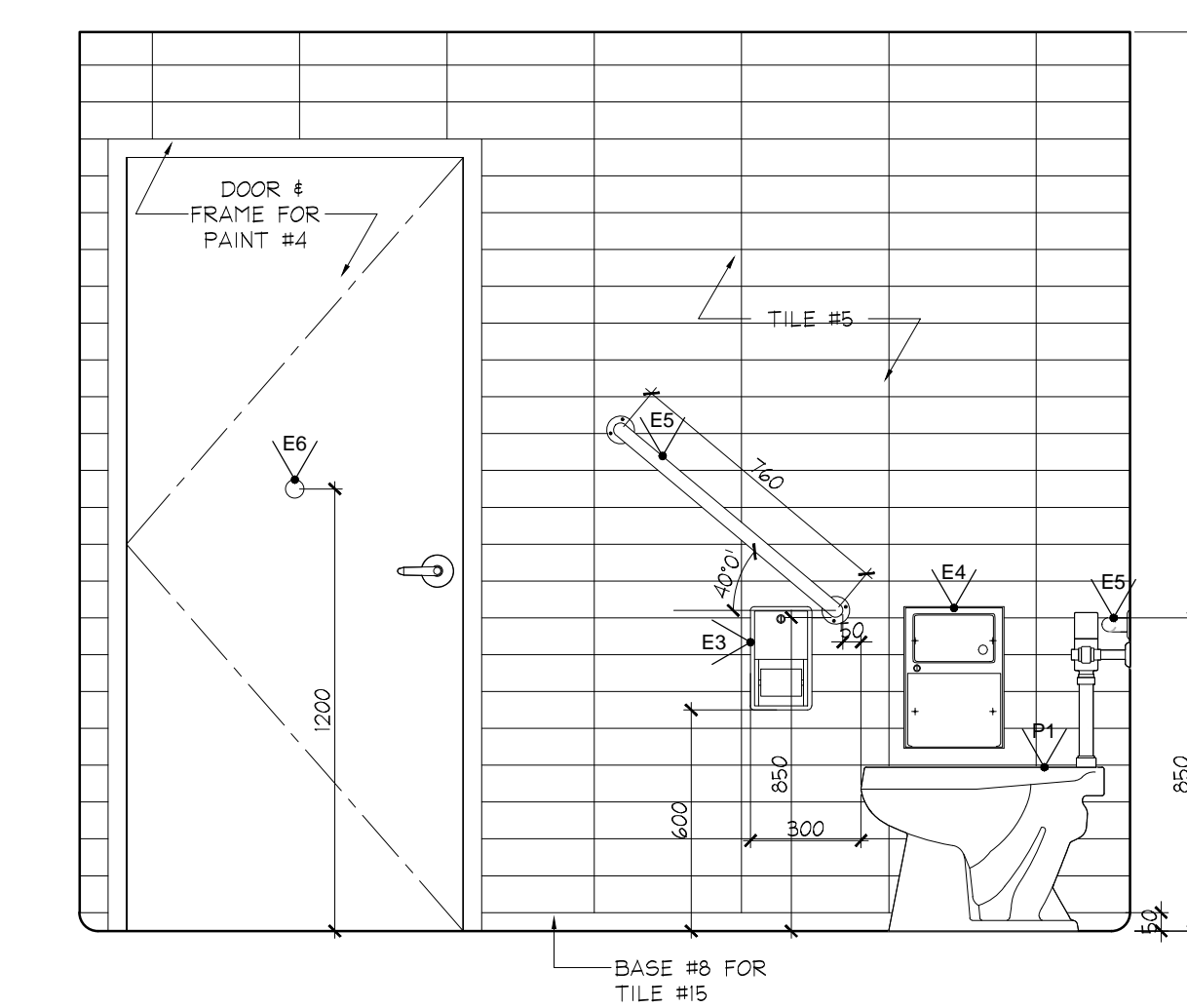
5 ELEVATION
ID2.0.2 P1 LEVEL
STAFF W/ CH/ SHOWER ROOM
SCALE 1:20



6 ELEVATION
ID2.0.2 P1 LEVEL
STAFF W/ CH/ SHOWER ROOM
SCALE 1:20



7 ELEVATION
ID2.0.2 P1 LEVEL
STAFF W/ CH/ SHOWER ROOM
SCALE 1:20



8 ELEVATION
ID2.0.2 P1 LEVEL
STAFF W/ CH/ SHOWER ROOM
SCALE 1:20

NOTE:
INSTALL ALL BARRIER FREE
WASHROOM COMPONENTS
ACCORDING TO CBC
REQUIREMENTS

NO.	DATE	COMMENTS	INI
02	26 JAN / 15	ISSUED FOR TENDER	AP
01	22 AUG / 14	ISSUED FOR PERMIT	AP

REVISIONS:

UNION 31
UNION31 INC.
183 BATHURST STREET, STE. 201
TORONTO, ON, M5T 2R7, CANADA
TEL: 416-597-1576 FAX: 416-597-2139

PROJECT NAME:
**ALEXANDRA PARK
MAIN BUILDING**
BLOCK 11
ON, Canada

PROJECT NO.: 13-949
DRAWINGS:
**PARKING LEVEL
ELEVATIONS**

DATE STARTED: 07 AUG / 13
SCALE: 1:20
DRAWN BY: AP
APPROVED BY: KC

DRAWING NO.:
**ID
2.0.2**