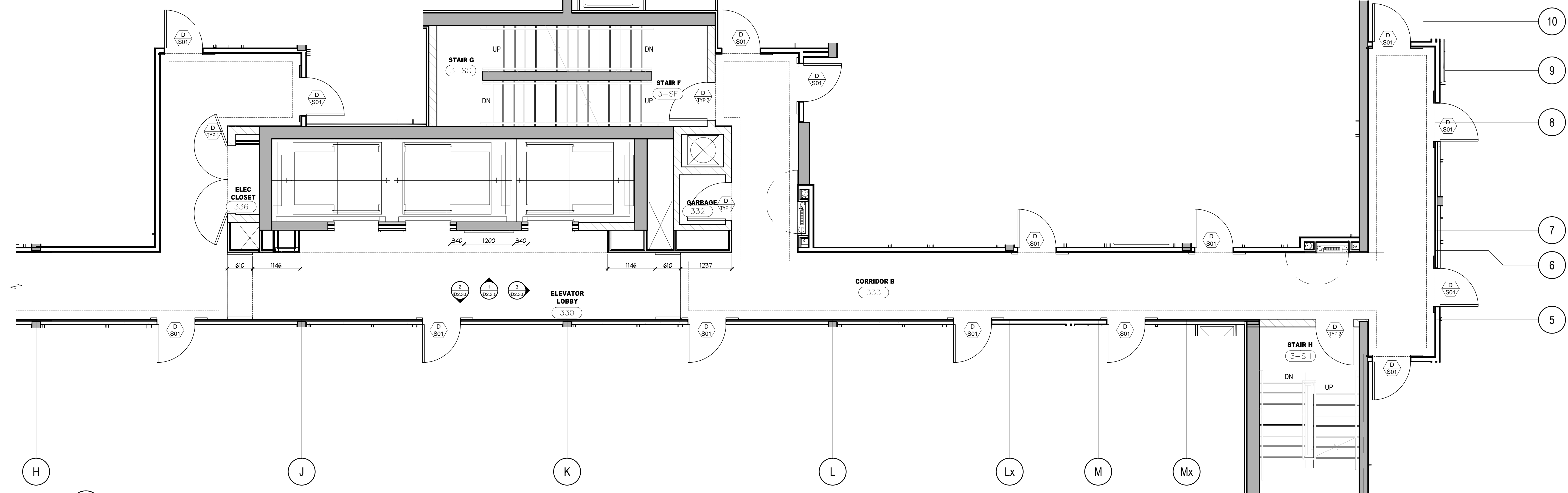
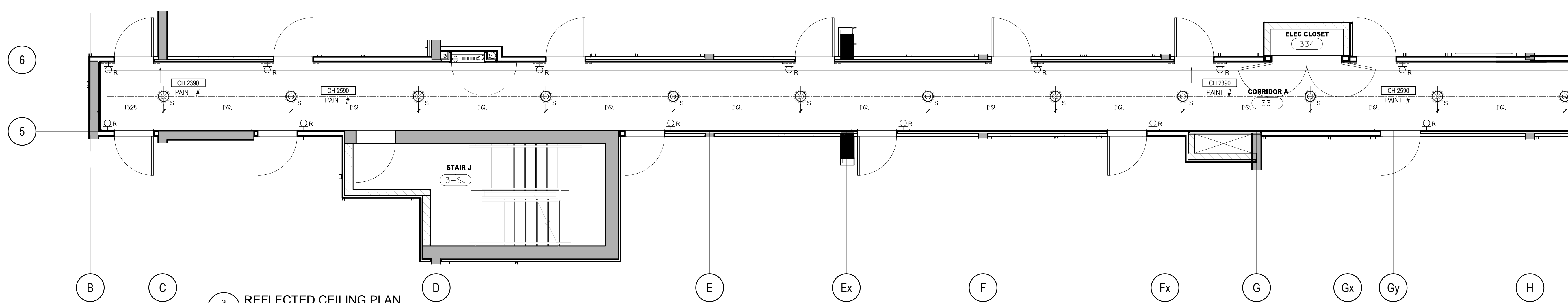


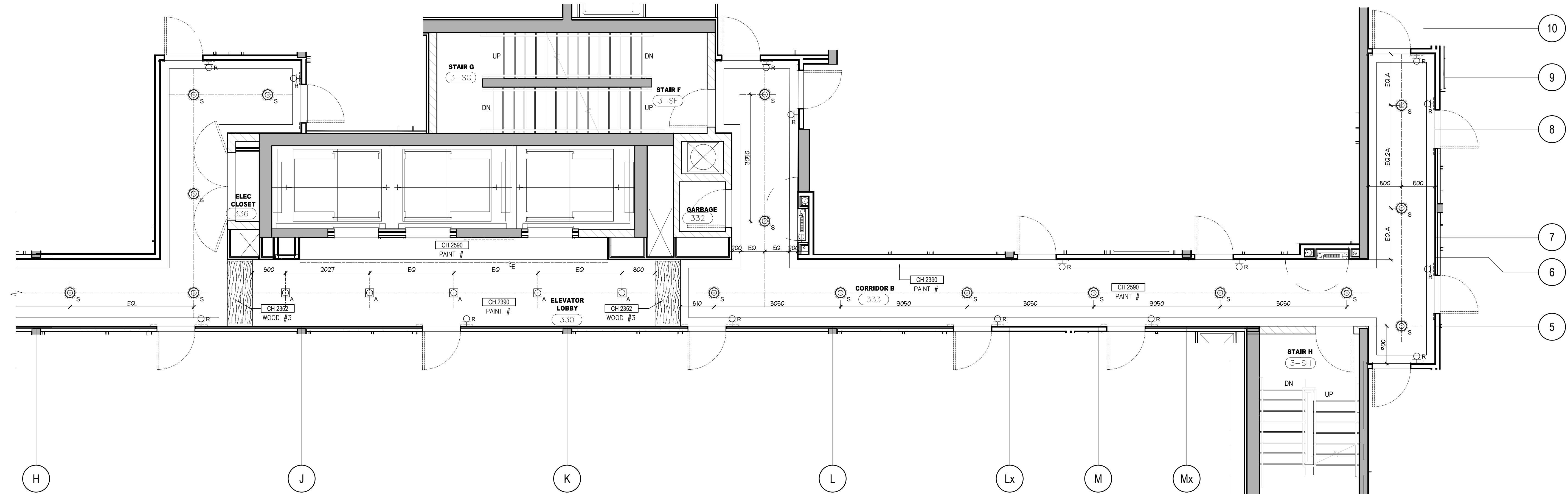
1 CONSTRUCTION PLAN
3RD FLOOR SCALE 1:50



2 CONSTRUCTION PLAN
3RD FLOOR SCALE 1:50



3 REFLECTED CEILING PLAN
3RD FLOOR SCALE 1:50



4 REFLECTED CEILING PLAN
3RD FLOOR SCALE 1:50

DO NOT SCALE DRAWINGS.
CONTRACTOR MUST VERIFY ALL DRAWINGS, DIMENSIONS, DETAILS AND SPECIFICATIONS, AND REPORT ANY DISCREPANCIES TO UNION 31 INC. BEFORE PROCEEDING WITH WORK. MATERIALS MAY NOT BE SUBSTITUTED WITHOUT WRITTEN APPROVAL FROM UNION 31 INC.
ALL DRAWINGS AND SPECIFICATIONS ARE INSTRUMENTS OF SERVICE AND THE PROPERTY OF UNION 31 INC. WHICH MUST BE RETURNED AT THE COMPLETION OF THE WORK.

PRINTED: 25-F40-15

NO.	DATE	COMMENTS	INI
03	26 FEB / 15	ISSUED FOR TENDER	AP
02	26 JAN / 15	ISSUED FOR TENDER	AP
01	22 AUG / 14	ISSUED FOR PERMIT	AP

UNION 31
UNION31 INC.
183 BATHURST STREET, STE. 201
TORONTO, ON, M5T 2R7, CANADA
TEL: 416-597-1576 FAX: 416-597-2139

PROJECT NAME:		ALEXANDRA PARK MAIN BUILDING	
PROJECT NO.:		13-949	
DRAWINGS:		3RD FLOOR CONSTRUCTION PLAN & REFLECTED CEILING PLAN	
DATE STARTED:	07 AUG / 13	DRAWING NO.:	ID 1.3.0
SCALE:	1:50	DRAWN BY:	AP
APPROVED BY:	KC		