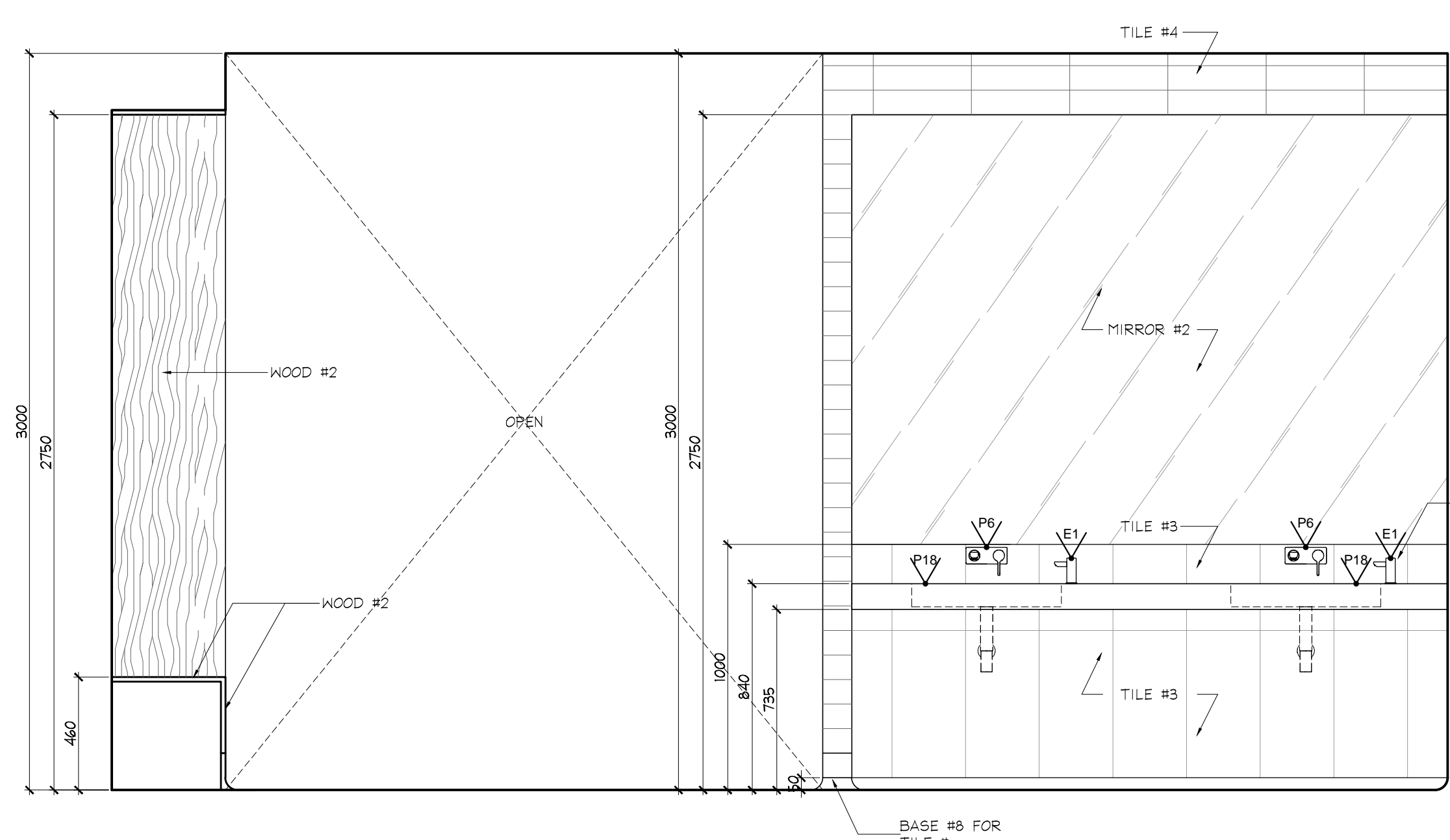


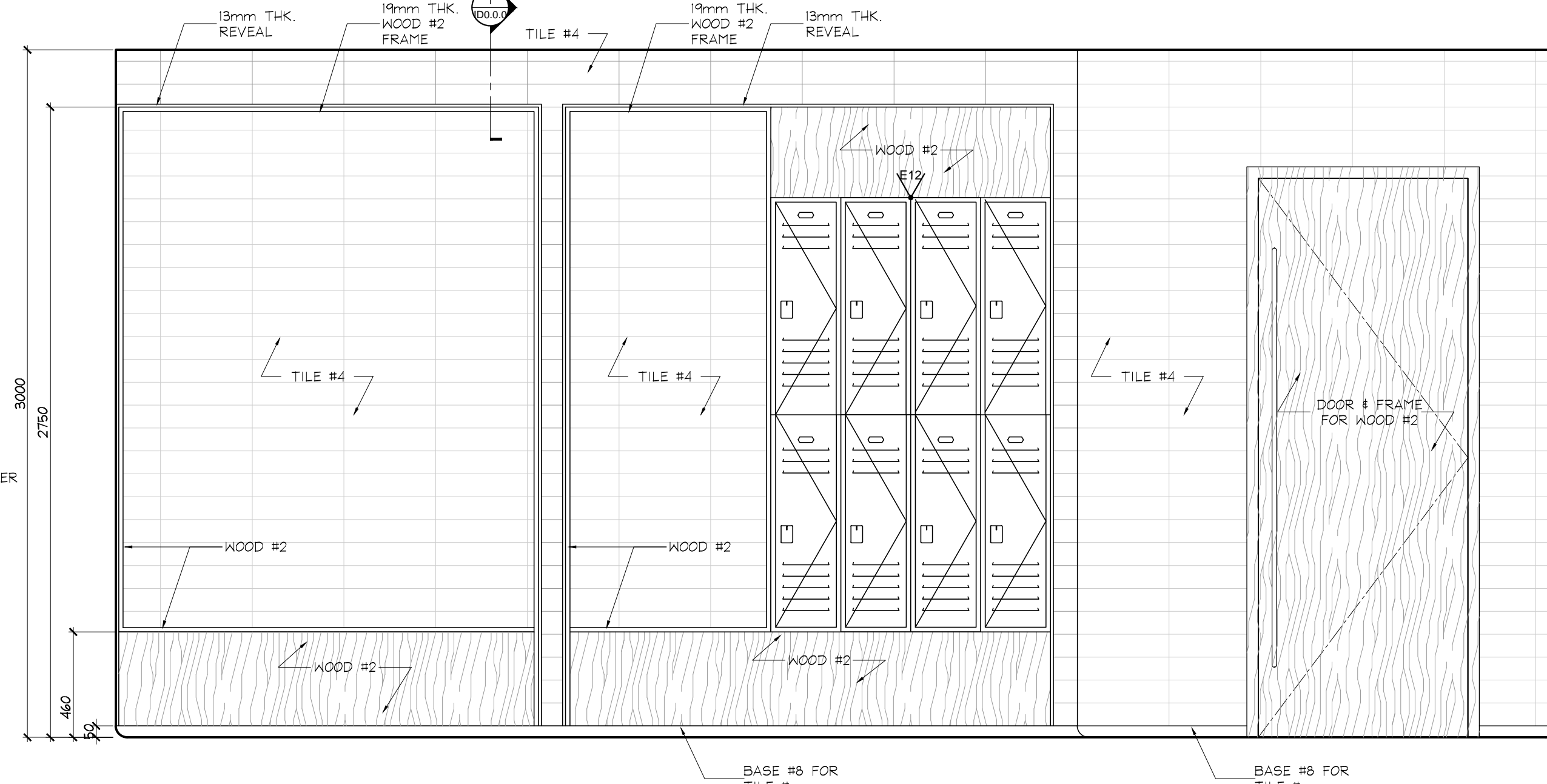
DO NOT SCALE DRAWINGS.

CONTRACTOR MUST VERIFY ALL DRAWINGS, DIMENSIONS, DETAILS AND SPECIFICATIONS, AND REPORT ANY DISCREPANCIES TO UNION31 INC. BEFORE PROCEEDING WITH WORK. MATERIALS MAY NOT BE SUBSTITUTED WITHOUT WRITTEN APPROVAL FROM UNION31 INC.
ALL DRAWINGS AND SPECIFICATIONS ARE INSTRUMENTS OF SERVICE AND THE PROPERTY OF UNION31 INC. WHICH MUST BE RETURNED AT THE COMPLETION OF THE WORK.

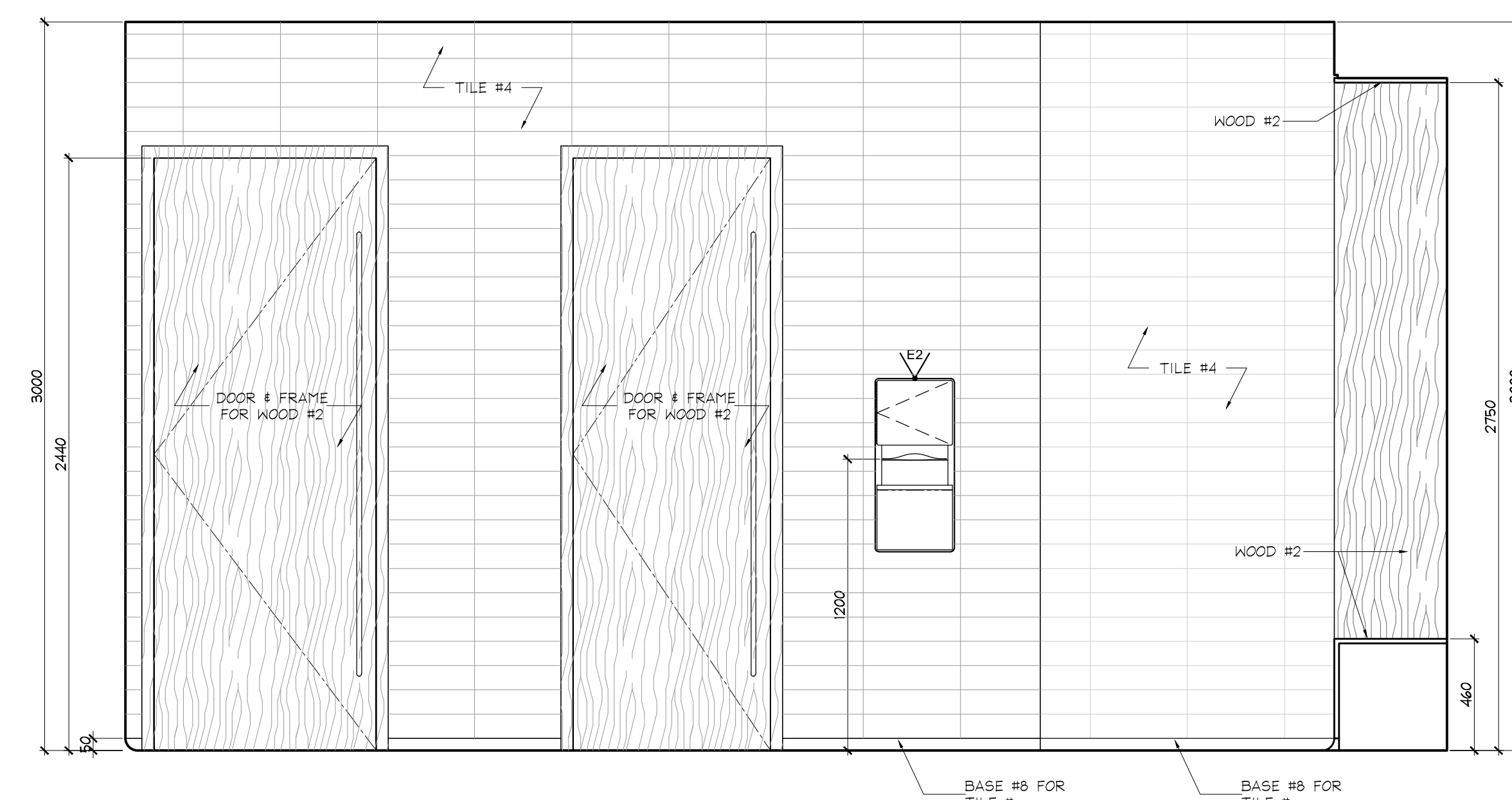
PRINTED: 25-F40-15



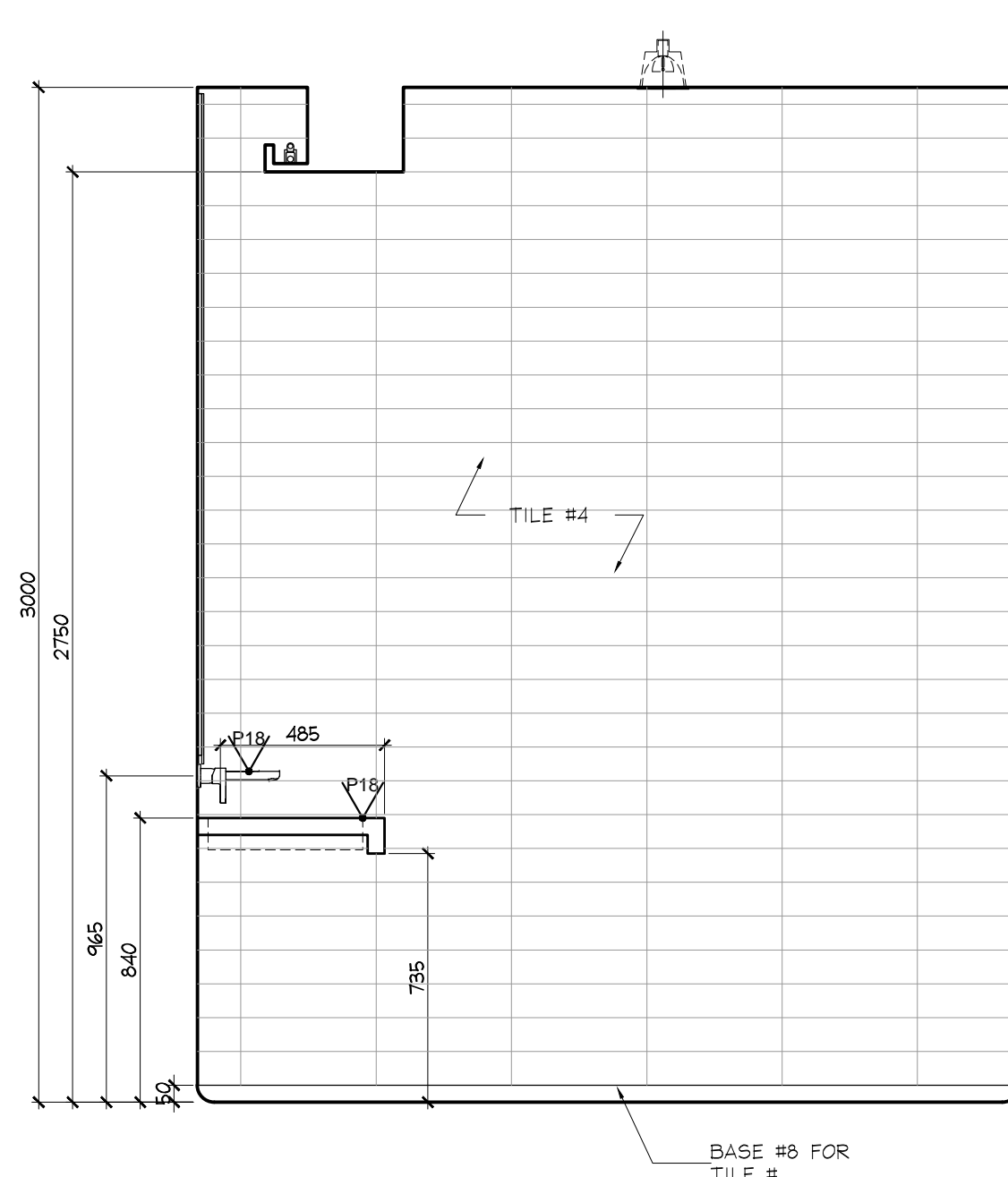
1 ELEVATION
ID2.1.8 GROUND FLOOR
WOMEN'S WASHROOM SCALE 1:20



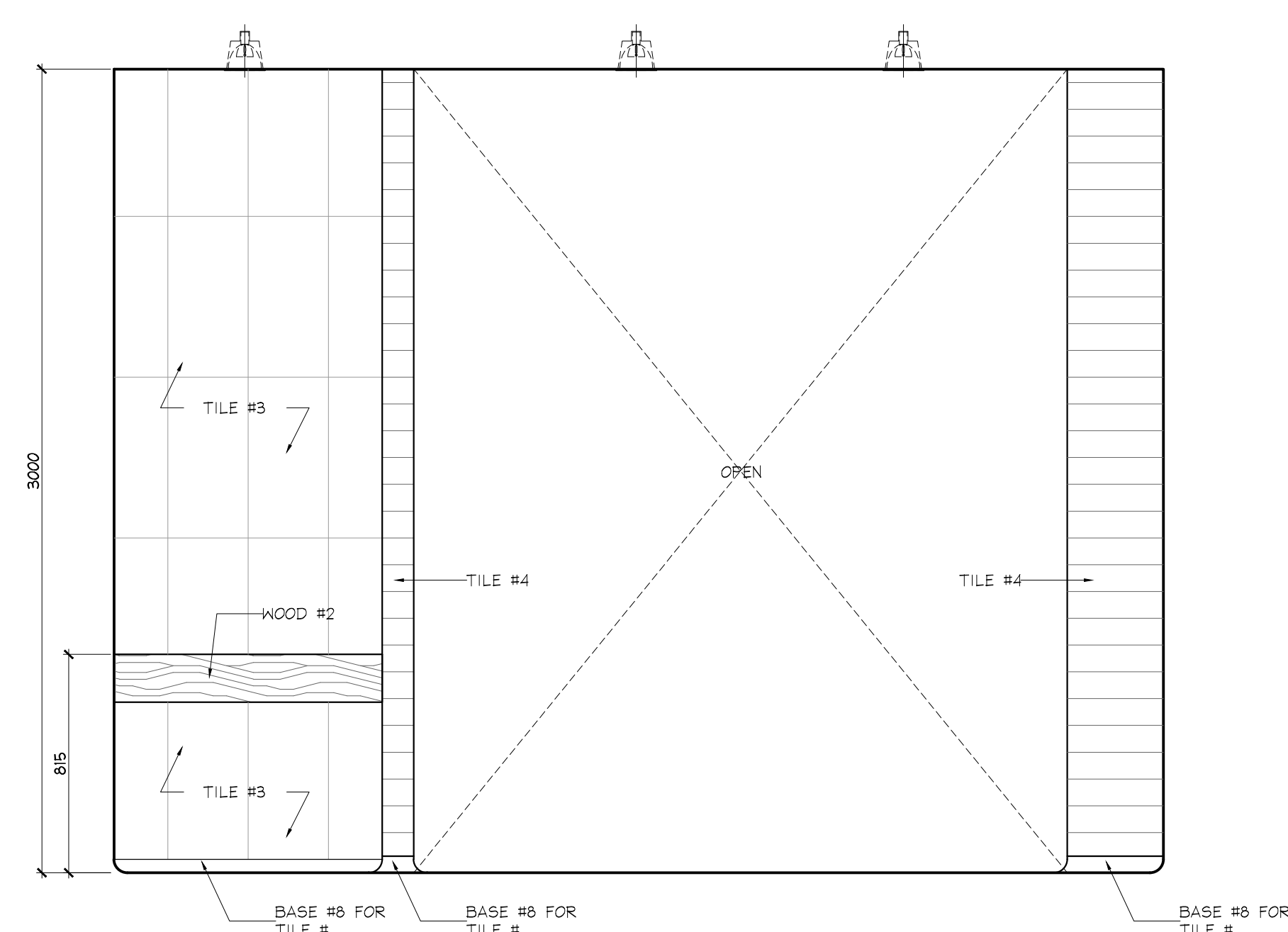
2 ELEVATION
ID2.1.8 GROUND FLOOR
WOMEN'S WASHROOM SCALE 1:20



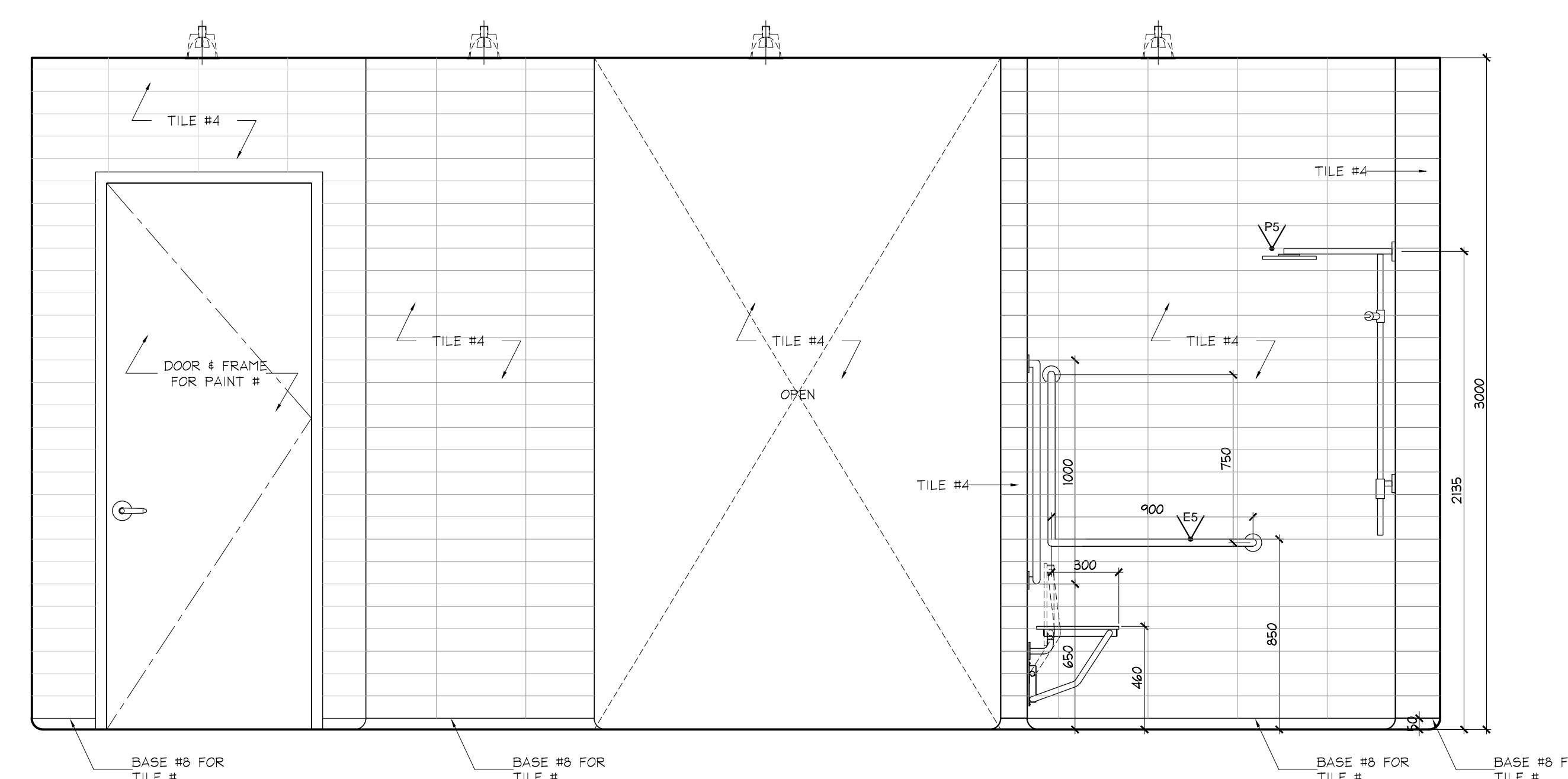
3 ELEVATION
ID2.1.8 GROUND FLOOR
WOMEN'S WASHROOM SCALE 1:20



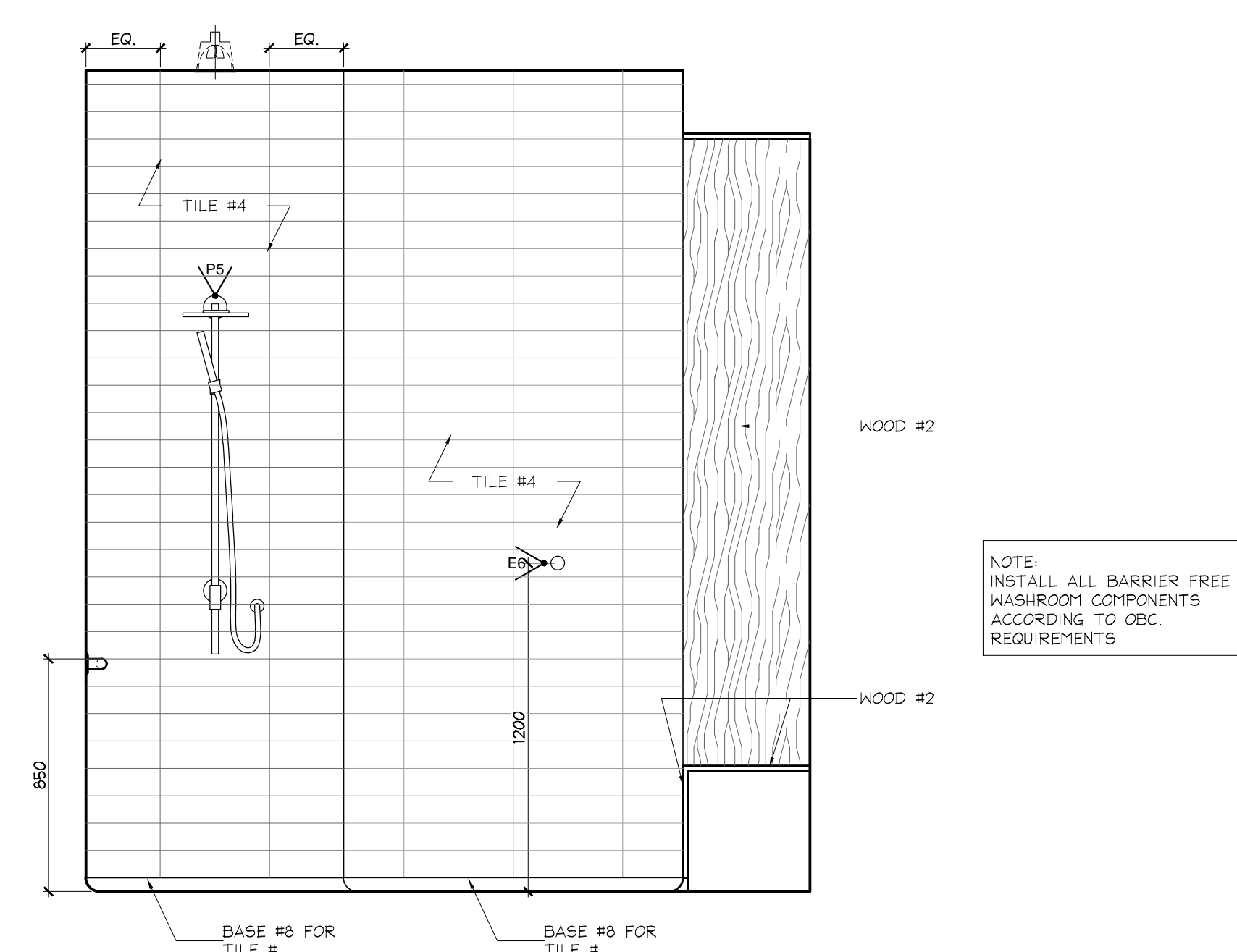
4 ELEVATION
ID2.1.8 GROUND FLOOR
WOMEN'S WASHROOM SCALE 1:20



5 ELEVATION
ID2.1.8 GROUND FLOOR
WOMEN'S WASHROOM SCALE 1:20

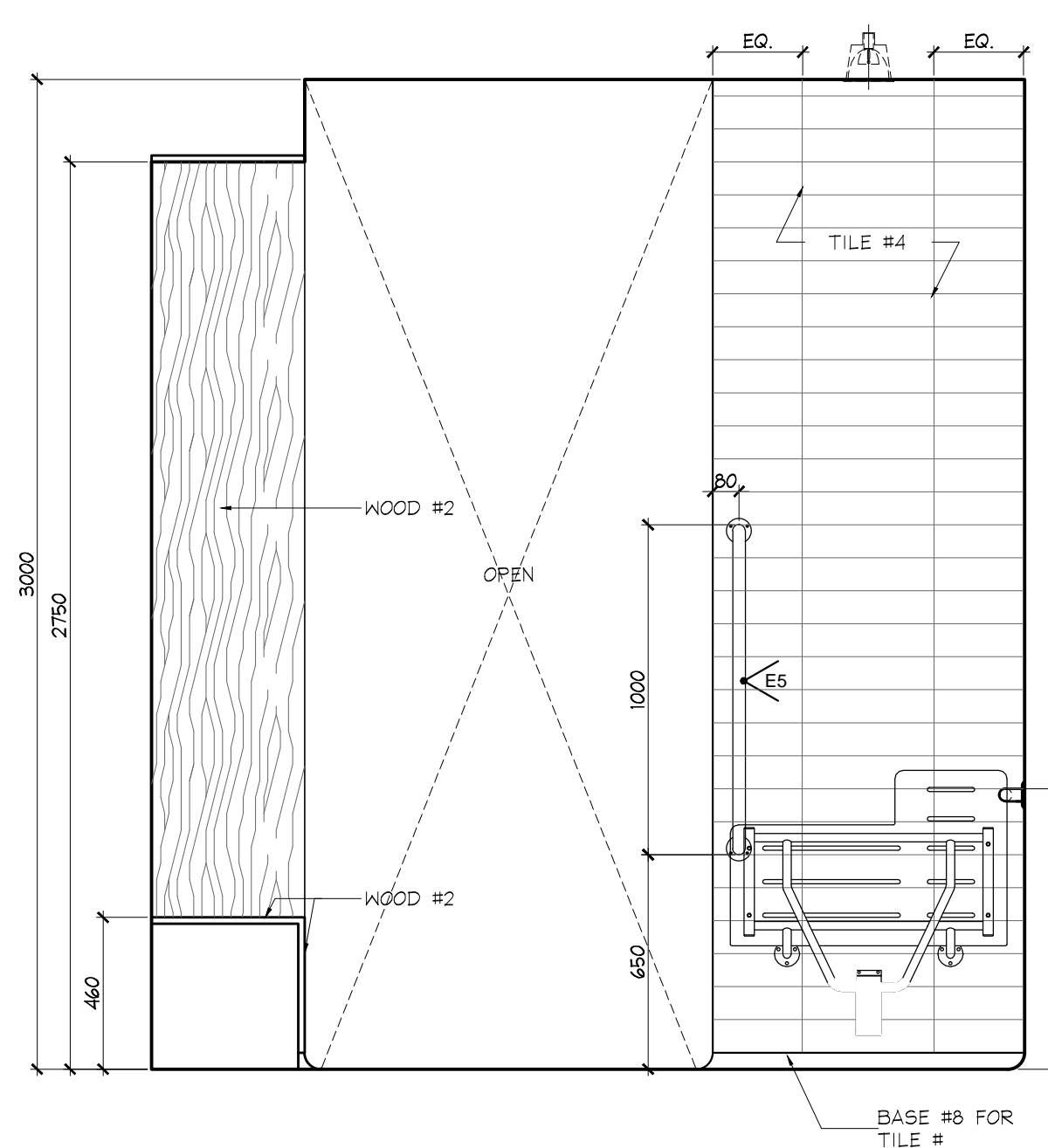


6 ELEVATION
ID2.1.8 GROUND FLOOR
WOMEN'S WASHROOM SCALE 1:20

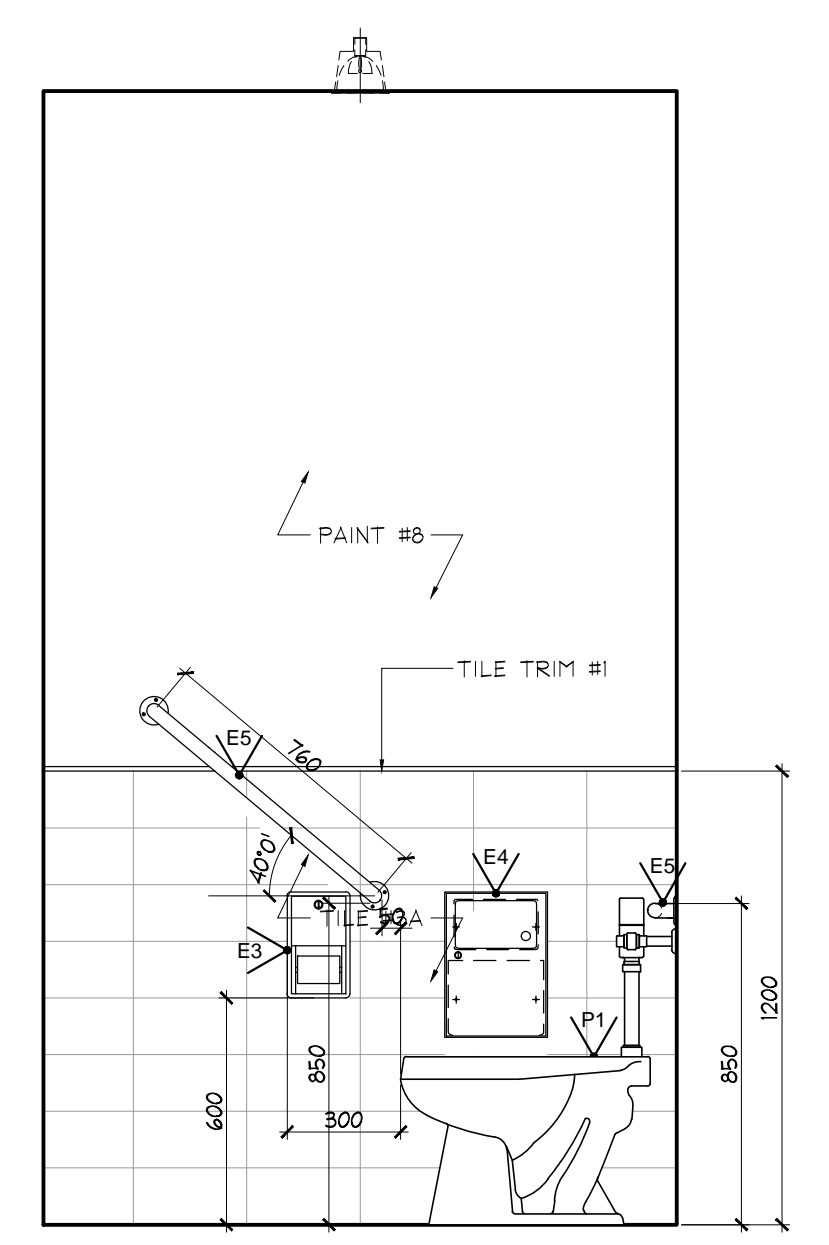


7 ELEVATION
ID2.1.8 GROUND FLOOR
WOMEN'S WASHROOM SCALE 1:20

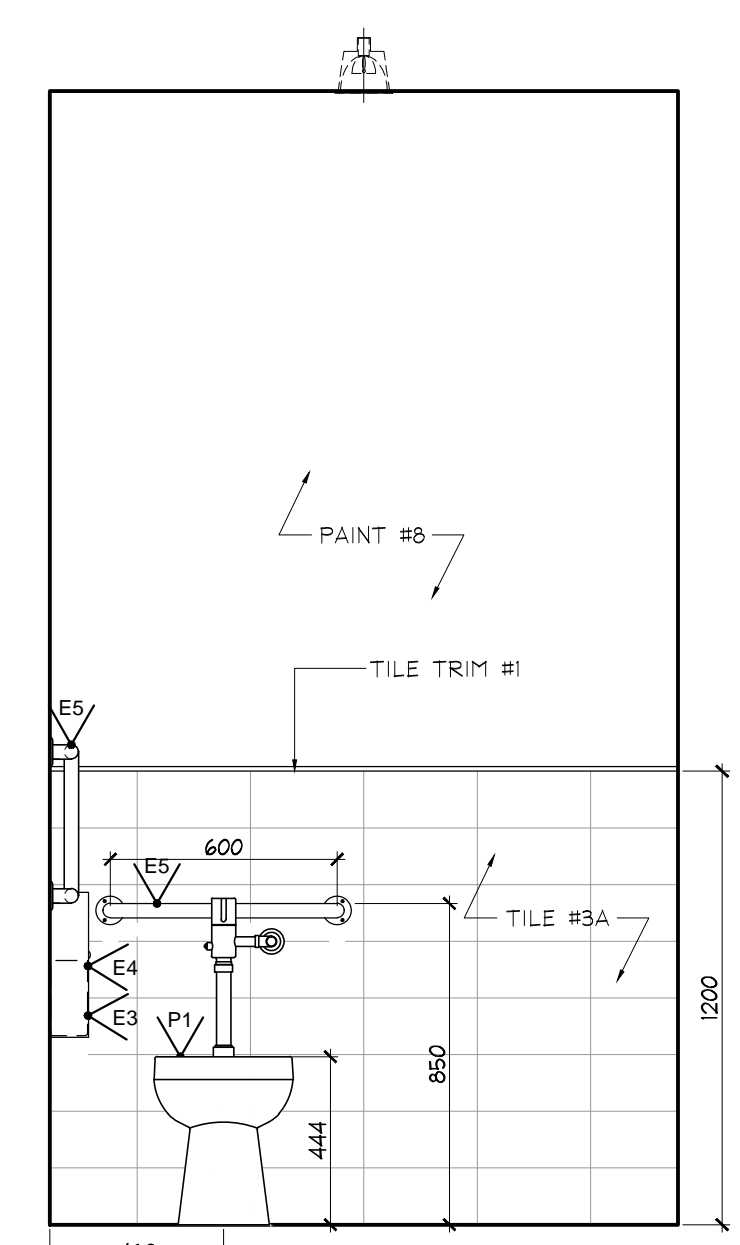
NOTE: INSTALL ALL BARRIER FREE WASHROOM COMPONENTS ACCORDING TO CBC REQUIREMENTS.



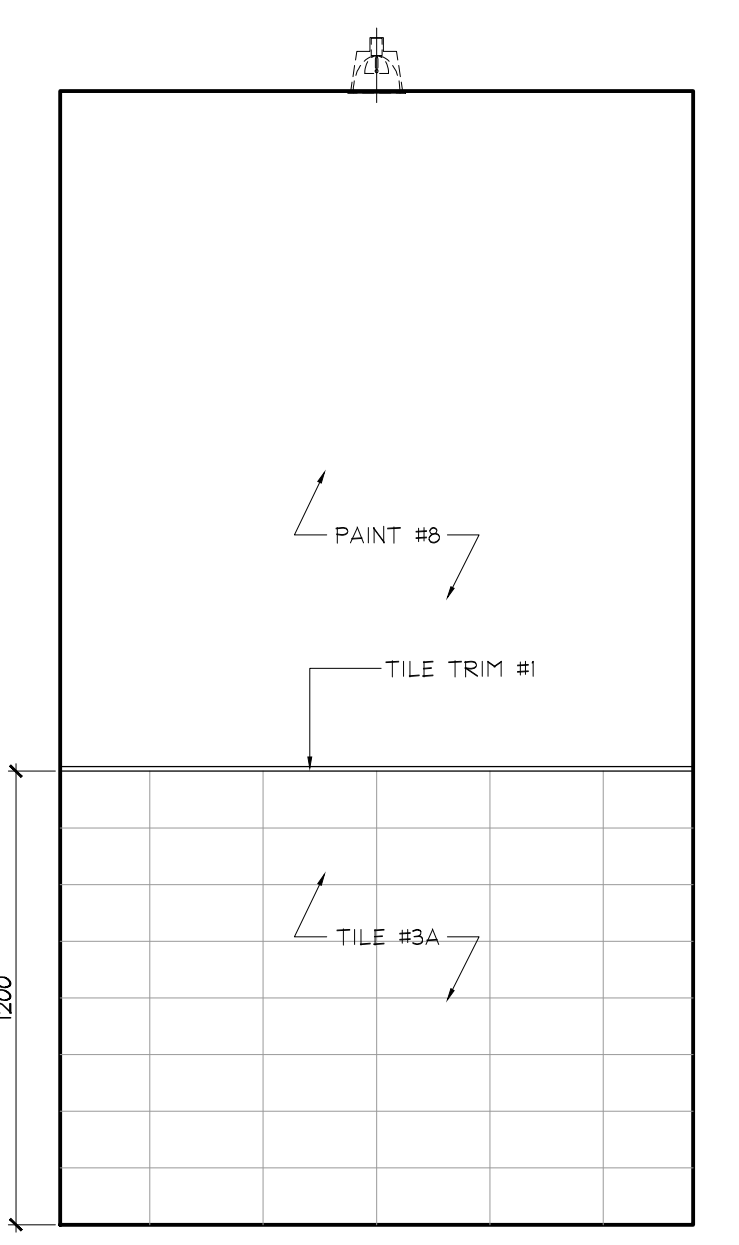
8 ELEVATION
ID2.1.8 GROUND FLOOR
WOMEN'S WASHROOM SCALE 1:20



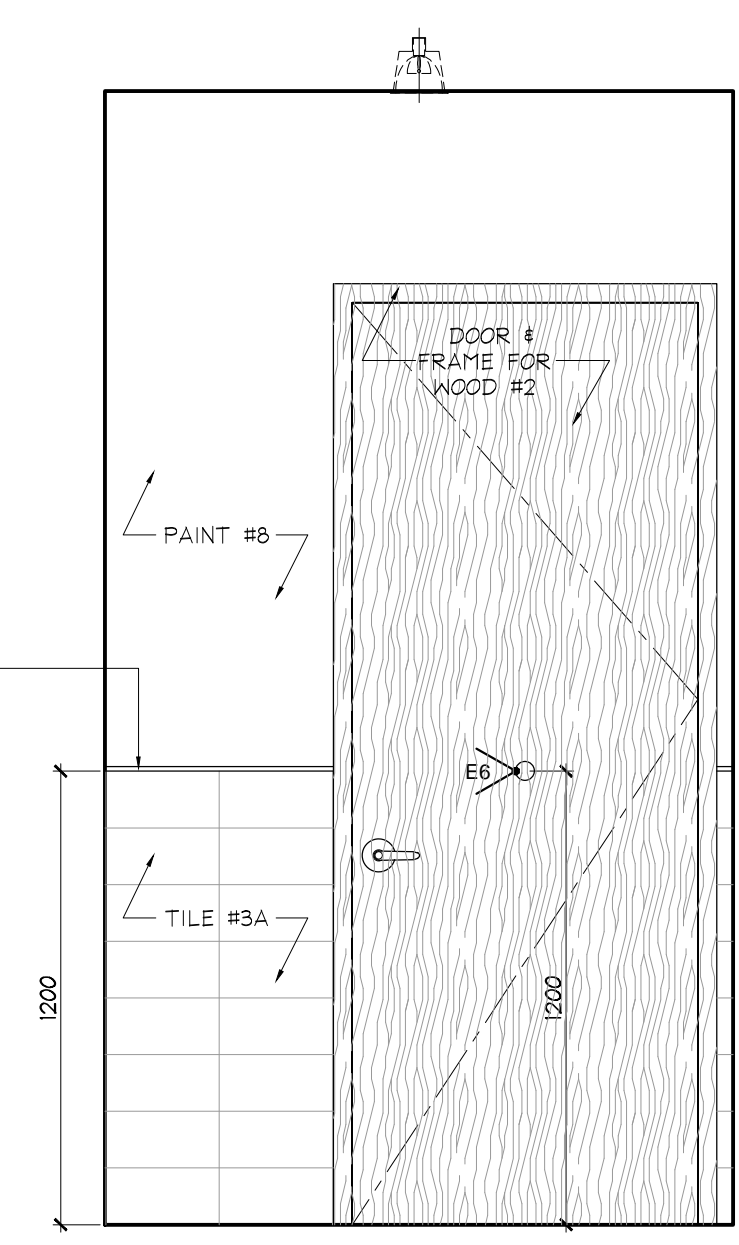
9 ELEVATION
ID2.1.8 GROUND FLOOR
WOMEN'S / MEN'S WASHROOM SCALE 1:20



10 ELEVATION
ID2.1.8 GROUND FLOOR
WOMEN'S / MEN'S WASHROOM SCALE 1:20



11 ELEVATION
ID2.1.8 GROUND FLOOR
WOMEN'S / MEN'S WASHROOM SCALE 1:20



12 ELEVATION
ID2.1.8 GROUND FLOOR
WOMEN'S WASHROOM SCALE 1:20

NO	DATE	COMMENTS	INI
03	26 FEB / 15	ISSUED FOR TILE TENDER	AP
02	26 JAN / 15	ISSUED FOR TENDER	AP
01	22 AUG / 14	ISSUED FOR PERMIT	AP

UNION31 INC.
183 BATHURST STREET, STE. 201
TORONTO, ON, M5T 2R7, CANADA
TEL: 416-597-1576 FAX: 416-597-2139

PROJECT NAME:
**ALEXANDRA PARK
MAIN BUILDING**
BLOCK 11
ON, Canada

PROJECT NO.:
13-949
DRAWINGS:

**GROUND FLOOR
ELEVATIONS**

DATE STARTED: 07 AUG / 13
SCALE: 1:20
DRAWN BY: AP
APPROVED BY: KC

DRAWING NO.:
**ID
2.1.8**