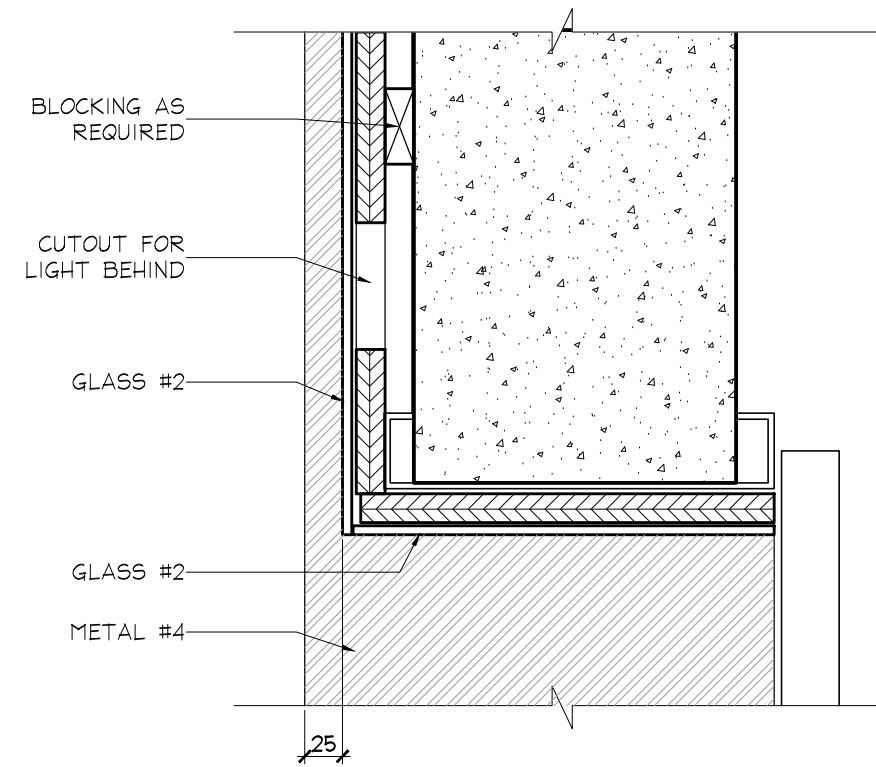
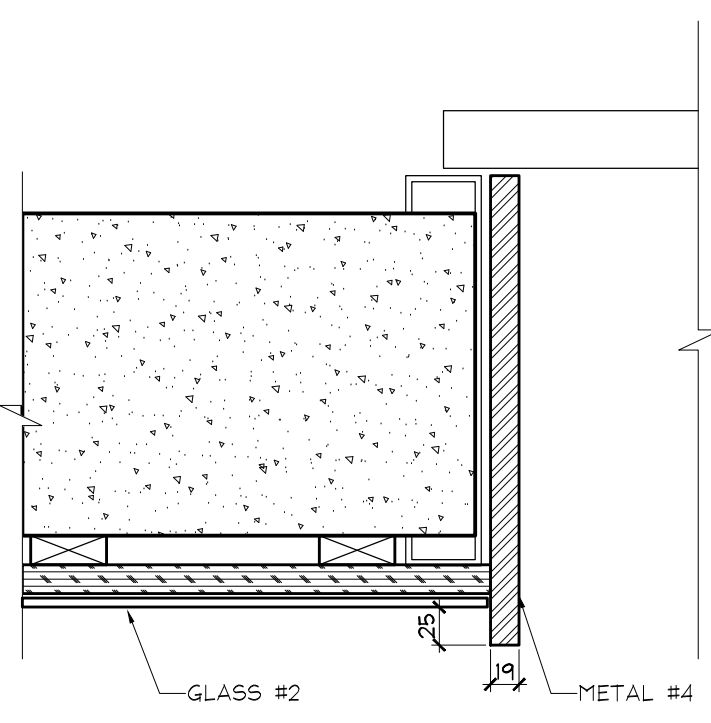


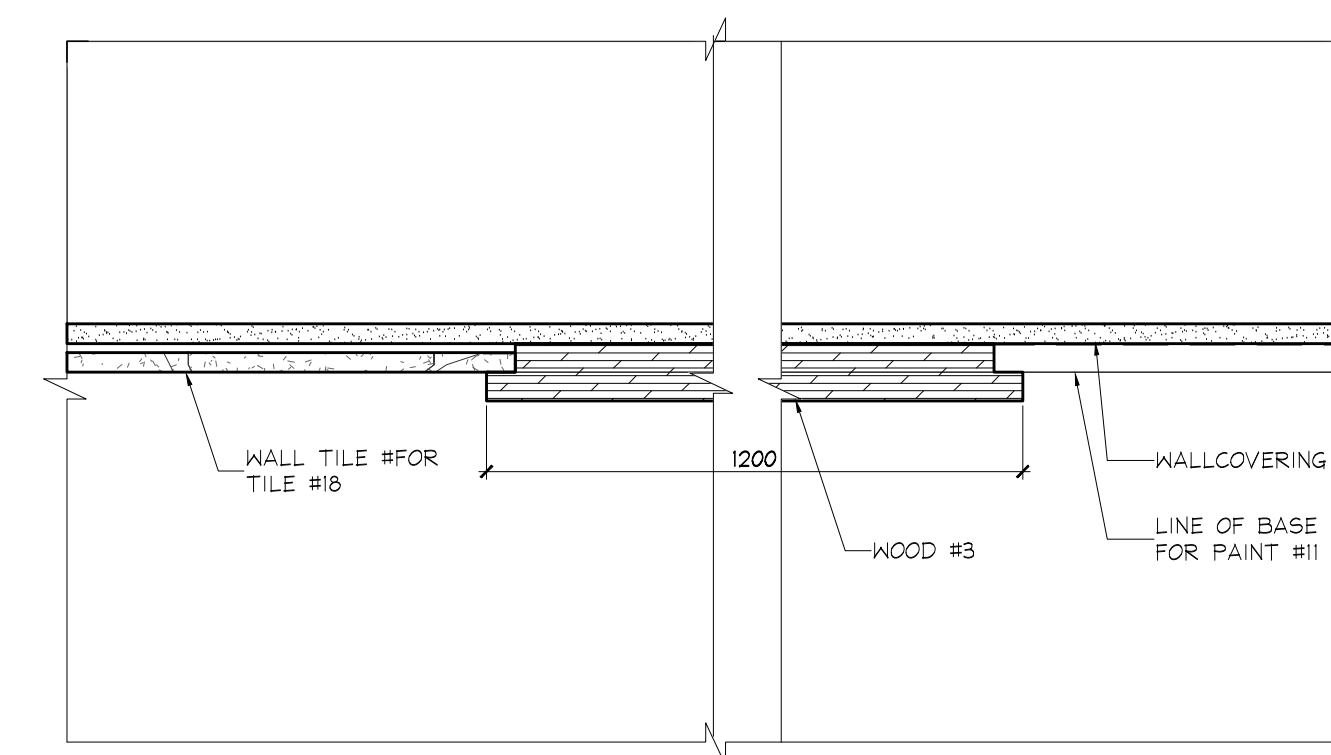
1 WALL SECTION
ID3.0.0 1ST FLOOR SCALE 1:5



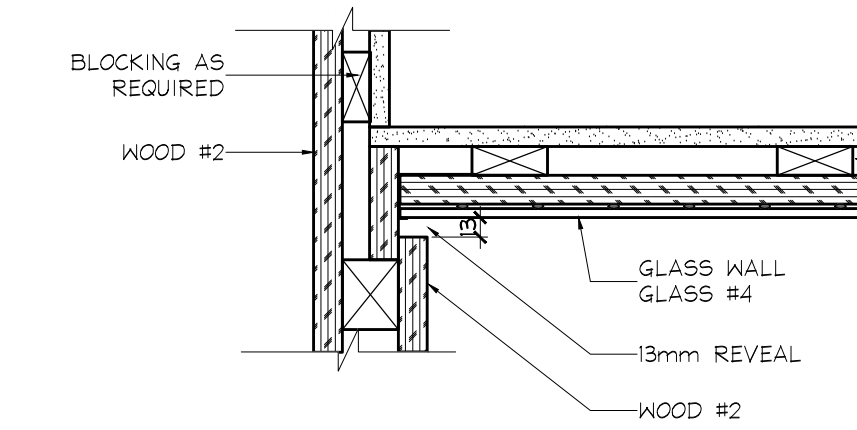
2 ELEVATOR HEADER SECTION
ID3.0.0 1ST FLOOR SCALE 1:5



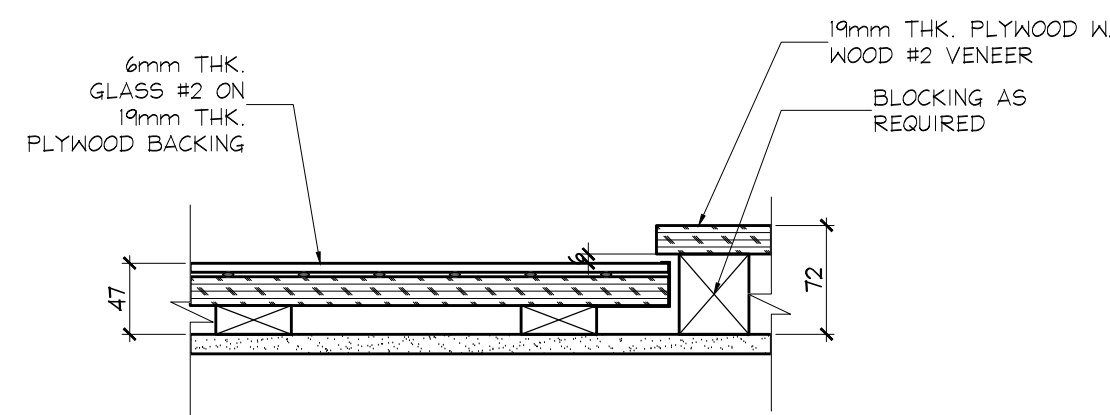
3 ELEVATOR JAMB SECTION
ID3.0.0 1ST FLOOR SCALE 1:5



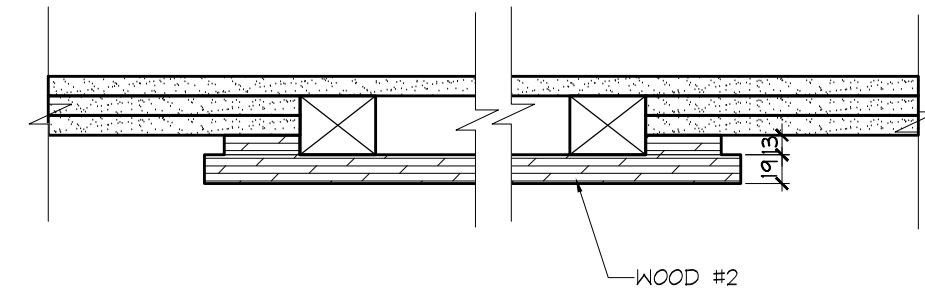
4 SECTION @ WOOD PANEL
ID3.0.0 TYPICAL CORRIDOR SCALE 1:5



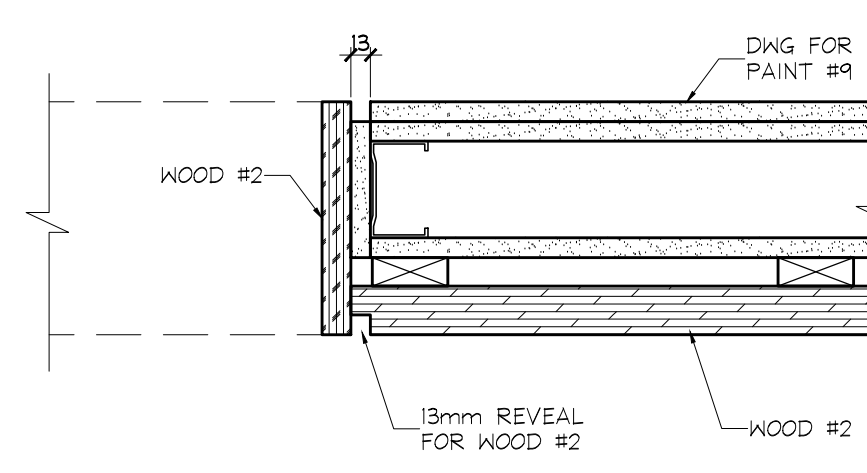
5 PLAN SECTION @ WOOD PANEL & GLASS WALL CONNECTION
ID3.0.0 1ST FLOOR LOBBY SCALE 1:5



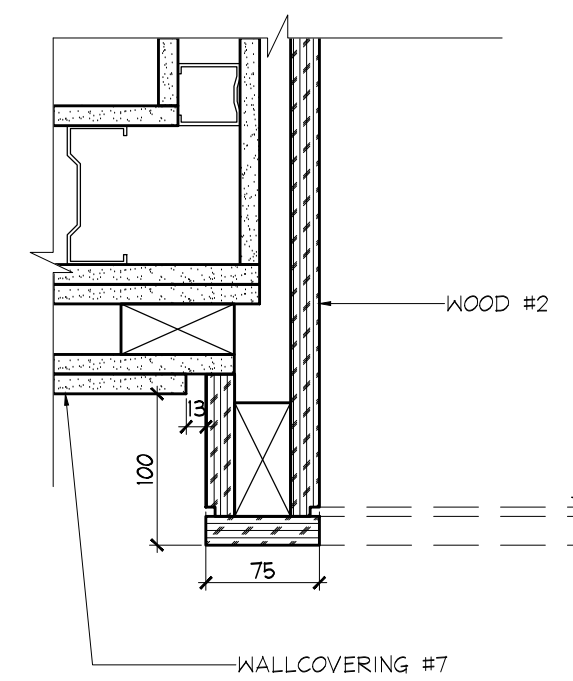
6 PLAN SECTION @ WOOD PANEL & GLASS WALL TRANSITION
ID3.0.0 1ST FLOOR LOBBY SCALE 1:5



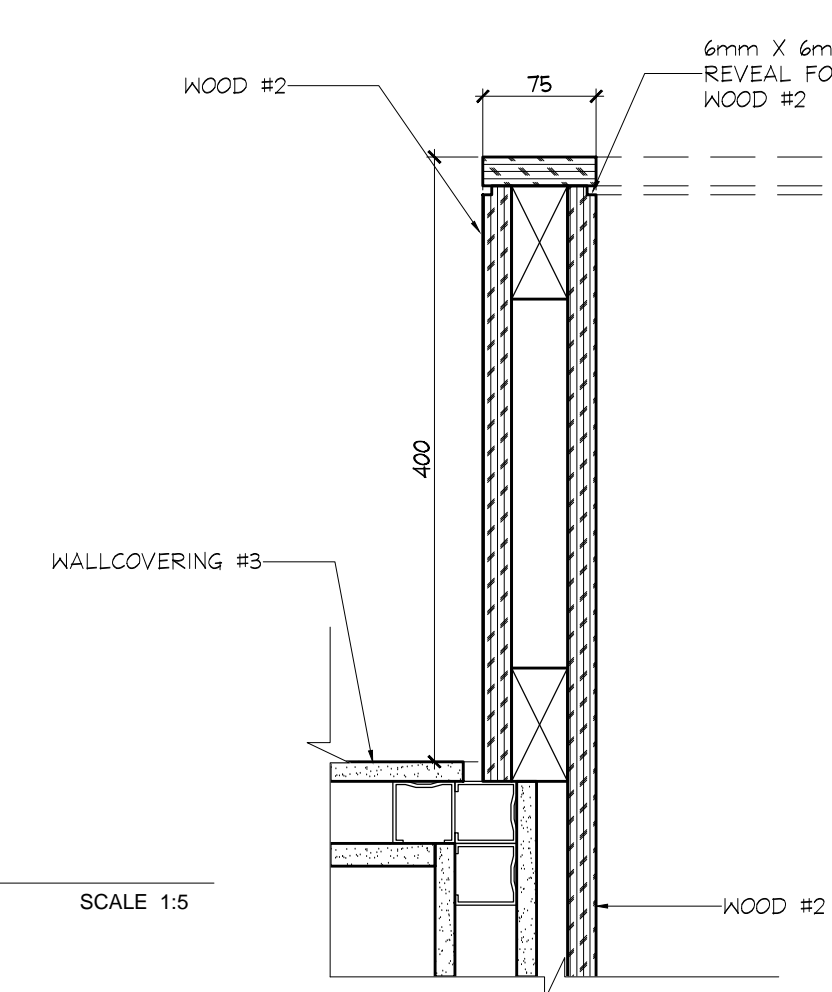
7 PLAN SECTION @ WOOD WALL
ID3.0.0 1ST FLOOR LOBBY SCALE 1:5



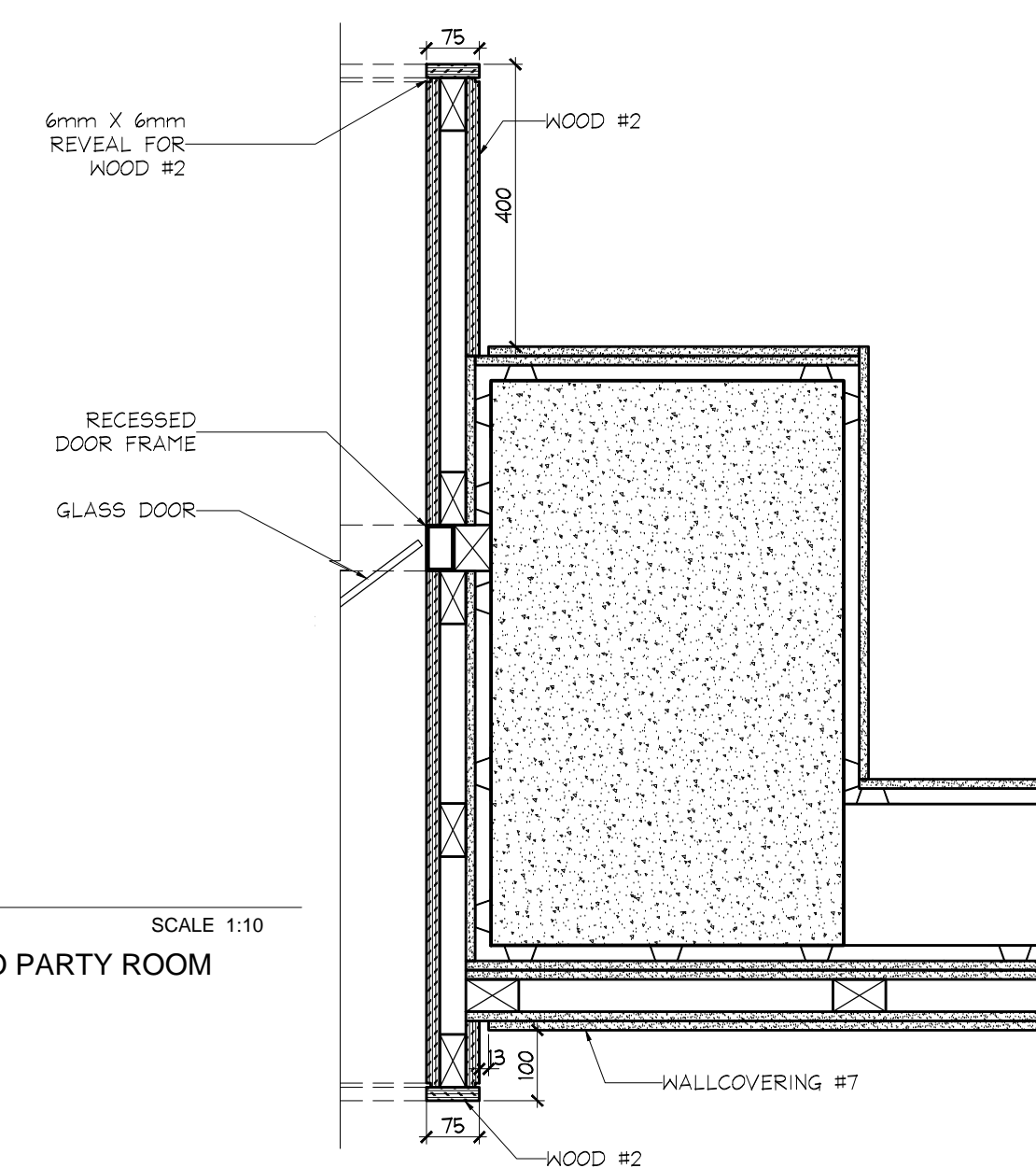
8 PLAN SECTION @ MAILROOM - JAMB
ID3.0.0 1ST FLOOR LOBBY SCALE 1:5



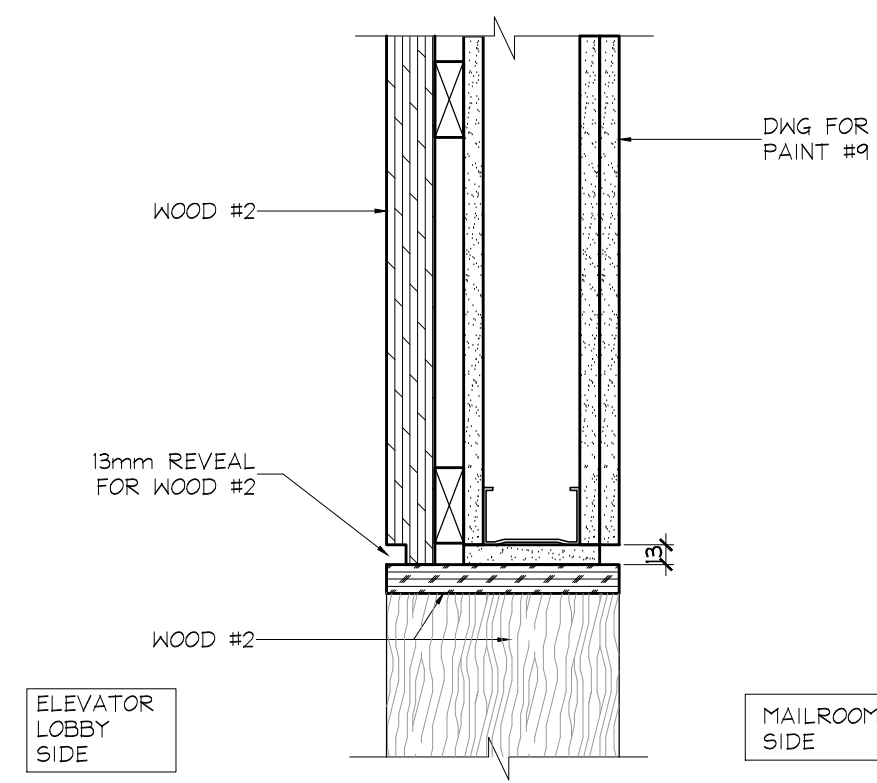
9 SECTION
ID3.0.0 1ST FLOOR ENTRANCE TO PARTY ROOM SCALE 1:5



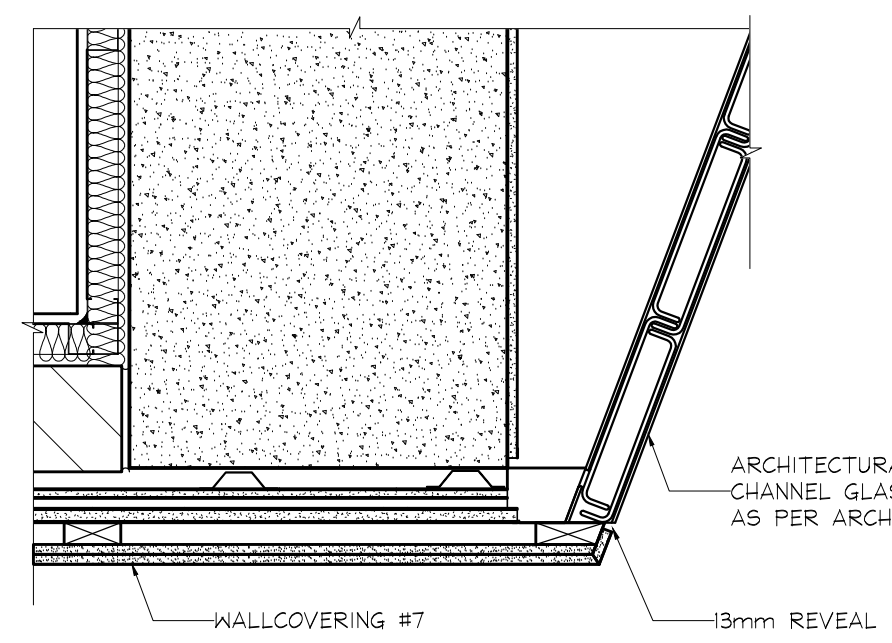
10 SECTION
ID3.0.0 1ST FLOOR PARTY ROOM SCALE 1:5



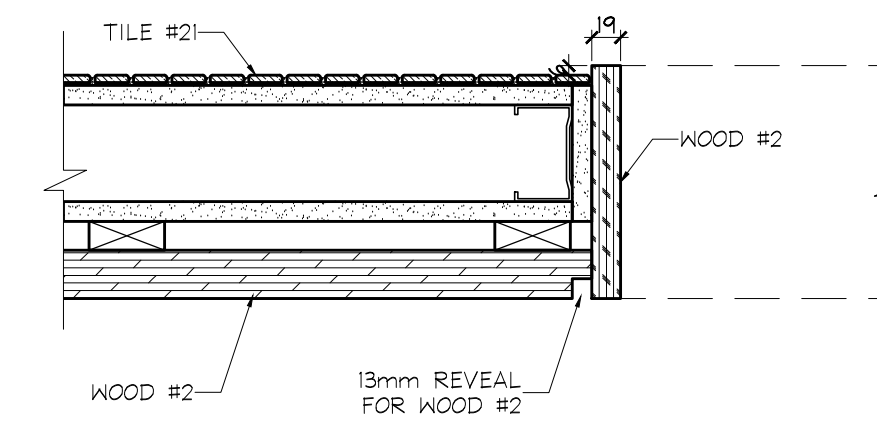
11 SECTION
ID3.0.0 1ST FLOOR ENTRANCE TO PARTY ROOM SCALE 1:10



12 MAILROOM ENTRANCE HEADER SECTION
ID3.0.0 1ST FLOOR LOBBY SCALE 1:5



13 SECTION
ID3.0.0 1ST FLOOR LOBBY SCALE 1:10



14 PLAN SECTION @ CORRIDOR 'D' & ANTIROOM
ID3.0.0 1ST FLOOR LOBBY SCALE 1:5

DO NOT SCALE DRAWINGS.

CONTRACTOR MUST VERIFY ALL DRAWINGS, DIMENSIONS, DETAILS AND SPECIFICATIONS, AND REPORT ANY DISCREPANCIES TO UNION 31 INC. BEFORE PROCEEDING WITH WORK. MATERIALS MAY NOT BE SUBSTITUTED WITHOUT WRITTEN APPROVAL FROM UNION 31 INC. ALL DRAWINGS AND SPECIFICATIONS ARE INSTRUMENTS OF SERVICE AND THE PROPERTY OF UNION 31 INC. WHICH MUST BE RETURNED AT THE COMPLETION OF THE WORK.

PRINTED: 25-Feb-15

03	28 FEB / 15	ISSUED FOR TILE TENDER	AP
02	28 JAN / 15	ISSUED FOR TENDER	AP
NO	DATE	COMMENTS	INI

REVISIONS:

UNION31

UNION31 INC.
183 BATHURST STREET, STE. 201
TORONTO, ON, M5T 2R7, CANADA
TEL: 416-597-1576 FAX: 416-597-2139

PROJECT NAME:
**ALEXANDRA PARK
MAIN BUILDING**
BLOCK 11
ON, Canada

PROJECT NO.: 13-949

DRAWINGS:
PLAN DETAILS

DATE STARTED: 07 AUG / 13
SCALE: AS NOTED
DRAWN BY: SM
APPROVED BY: KC

DRAWING NO.:
**ID
3.0.0**