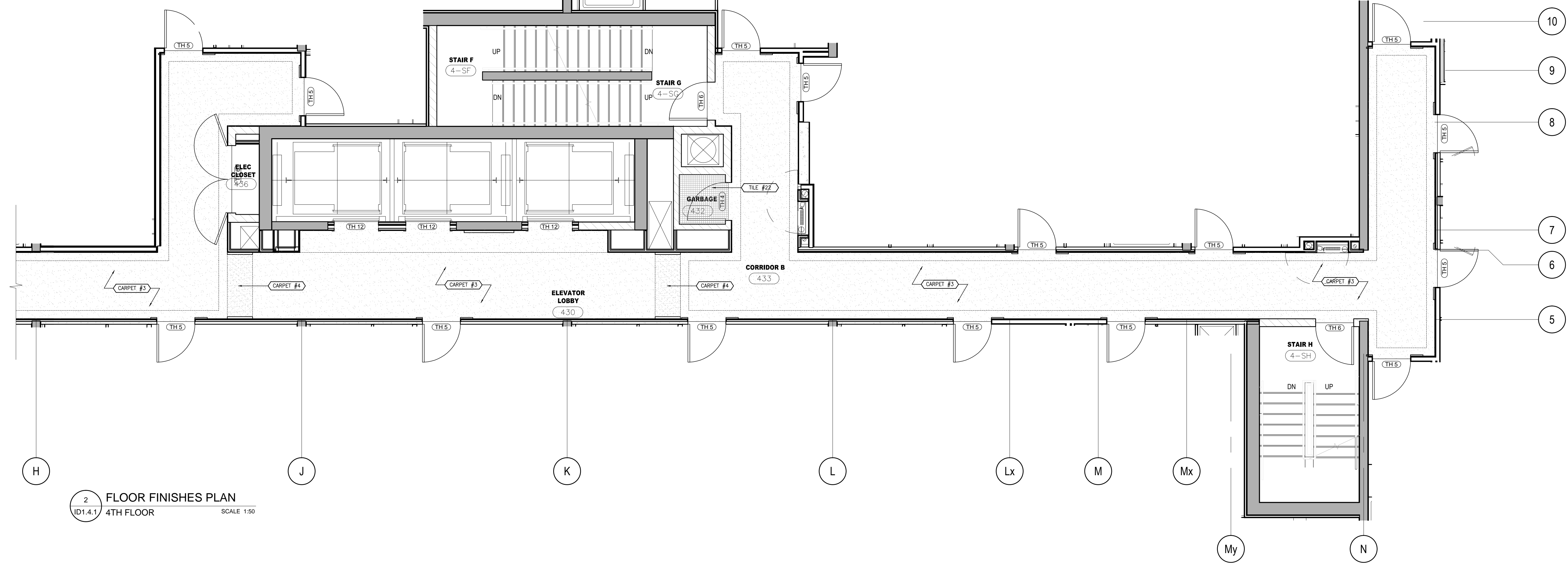
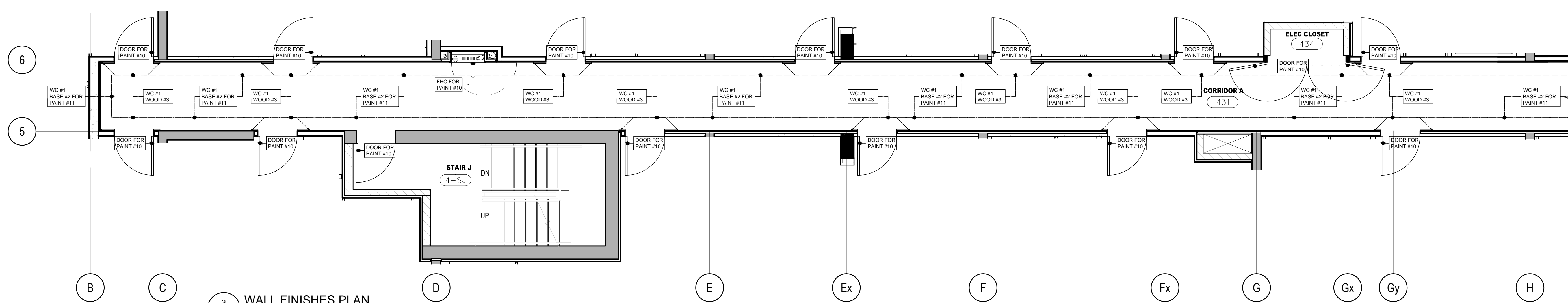


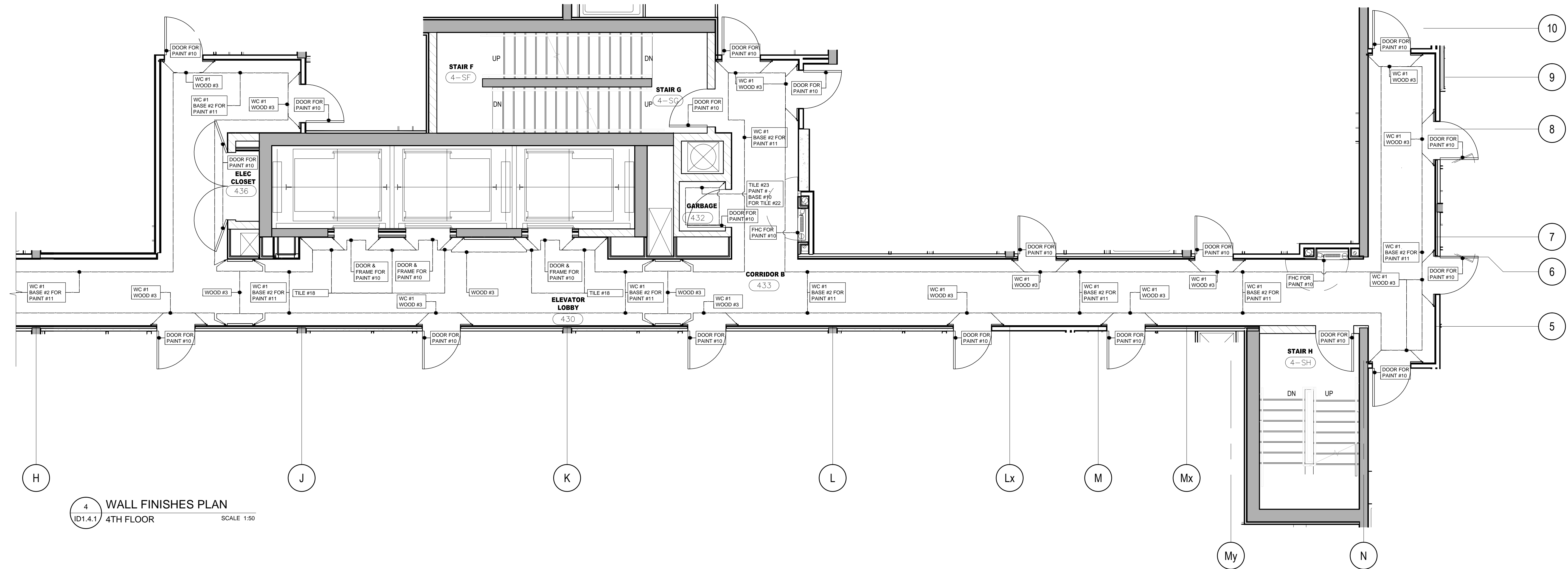
1 FLOOR FINISHES PLAN  
4TH FLOOR  
SCALE 1:50



2 FLOOR FINISHES PLAN  
4TH FLOOR  
SCALE 1:50



3 WALL FINISHES PLAN  
4TH FLOOR  
SCALE 1:50



4 WALL FINISHES PLAN  
4TH FLOOR  
SCALE 1:50

DO NOT SCALE DRAWINGS.

CONTRACTOR MUST VERIFY ALL DRAWINGS, DIMENSIONS, DETAILS AND SPECIFICATIONS, AND REPORT ANY DISCREPANCIES TO UNICOR 31 INC. BEFORE PROCEEDING WITH WORK. MATERIALS MAY NOT BE SUBSTITUTED WITHOUT WRITTEN APPROVAL FROM UNICOR 31 INC. ALL DRAWINGS AND SPECIFICATIONS ARE INSTRUMENTS OF SERVICE AND THE PROPERTY OF UNICOR 31 INC. WHICH MUST BE RETURNED AT THE COMPLETION OF THE WORK.

PRINTED: 28-May-15

NO.	DATE	COMMENTS	INI
03	06 MAR / 15	ISSUED FOR TILE TENDER	AP
02	26 JAN / 15	ISSUED FOR TENDER	AP
01	22 AUG / 14	ISSUED FOR PERMIT	AP

UNICOR 31  
183 BATHURST STREET, STE. 201  
TORONTO, ON, M5T 2R7, CANADA  
TEL: 416-597-1576 FAX: 416-597-2139

PROJECT NAME:		ALEXANDRA PARK MAIN BUILDING	
BLOCK 11		ON, Canada	
PROJECT NO.:	13-949	DRAWINGS:	
4TH FLOOR FLOOR FINISHES PLAN & WALL FINISHES PLAN			
DATE STARTED:	07 AUG / 13	DRAWING NO.:	ID
SCALE:	1 : 50	DRAWN BY:	AP
APPROVED BY:	KC	DRAWING NO.:	1.4.1