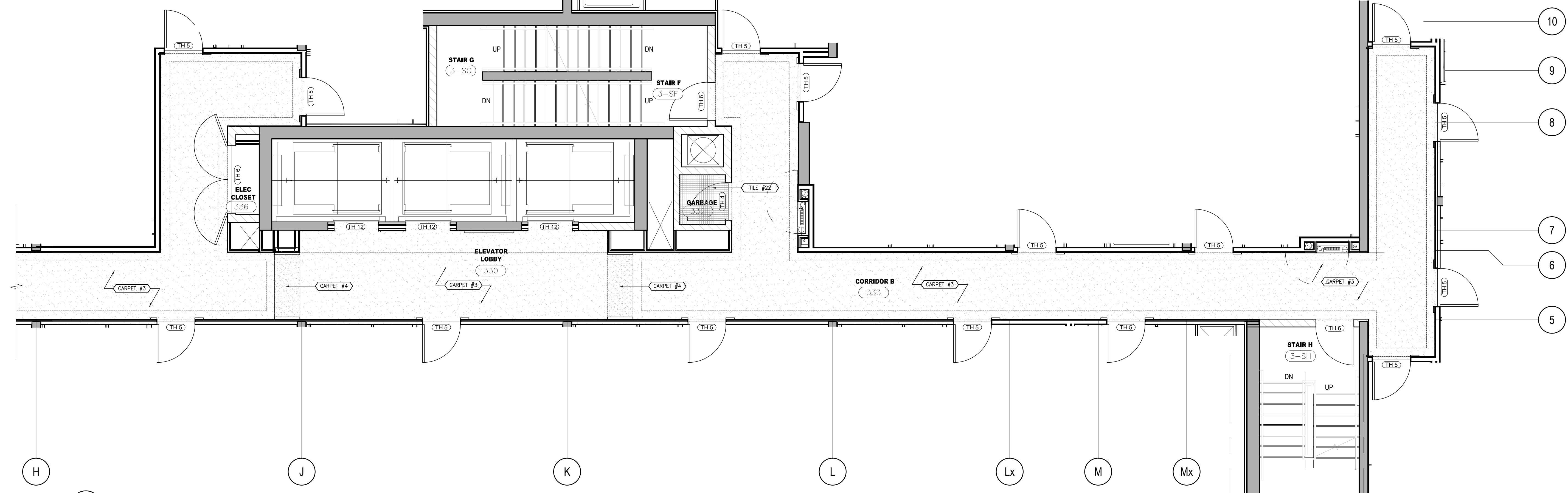
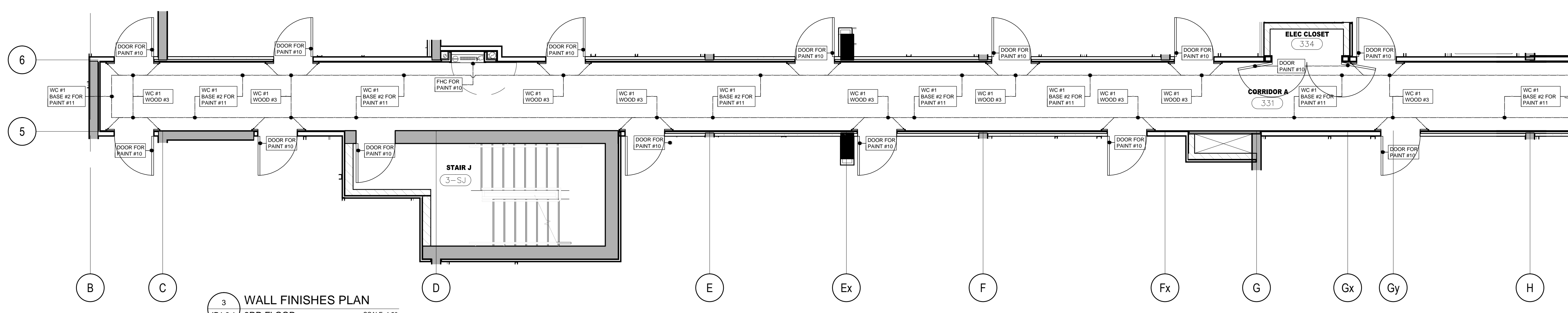


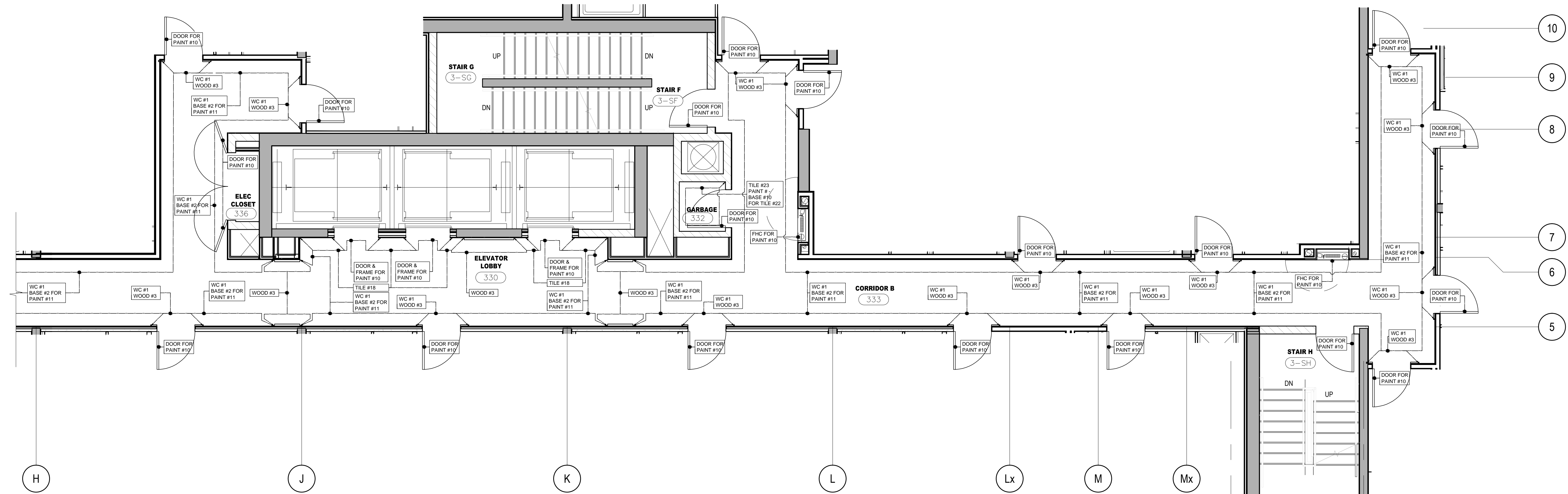
1 FLOOR FINISHES PLAN  
3RD FLOOR  
SCALE 1:50



2 FLOOR FINISHES PLAN  
3RD FLOOR  
SCALE 1:50



3 WALL FINISHES PLAN  
3RD FLOOR  
SCALE 1:50



4 WALL FINISHES PLAN  
3RD FLOOR  
SCALE 1:50

DO NOT SCALE DRAWINGS.

CONTRACTOR MUST VERIFY ALL DRAWINGS, DIMENSIONS, DETAILS AND SPECIFICATIONS. AND REPORT ANY DISCREPANCIES TO UNOBI 31 INC. BEFORE PROCEEDING WITH WORK. MATERIALS MAY NOT BE SUBSTITUTED WITHOUT WRITTEN APPROVAL FROM UNOBI 31 INC.  
ALL DRAWINGS AND SPECIFICATIONS ARE INSTRUMENTS OF SERVICE AND THE PROPERTY OF UNOBI 31 INC. WHICH MUST BE RETURNED AT THE COMPLETION OF THE WORK.

PRINTED: 15-JUL-15

NO	DATE	COMMENTS	INI
10	15 JULY / 15	ISSUED FOR TRIM CARPENTRY TENDER	CB
09	16 JUNE / 15	ISSUED FOR FINISH CARPENTRY	CB
03	06 MAR / 15	ISSUED FOR TILE TENDER	AP
02	26 JAN / 15	ISSUED FOR TENDER	AP
01	22 AUG / 14	ISSUED FOR PERMIT	AP

**UNOBI 31**

UNIONS 31 INC.  
183 BATHURST STREET, STE. 201  
TORONTO, ON, M5T 2R7, CANADA  
TEL: 416-597-1576 FAX: 416-597-2139

PROJECT NAME:		ALEXANDRA PARK MAIN BUILDING	
PROJECT NO.:		13-949	
DRAWINGS:		3RD FLOOR FLOOR FINISHES PLAN & WALL FINISHES PLAN	
DATE STARTED:	07 AUG / 13	DRAWING NO.:	ID
SCALE:	1:50	DRAWN BY:	AP
APPROVED BY:	KC	SCALE:	1:3.1