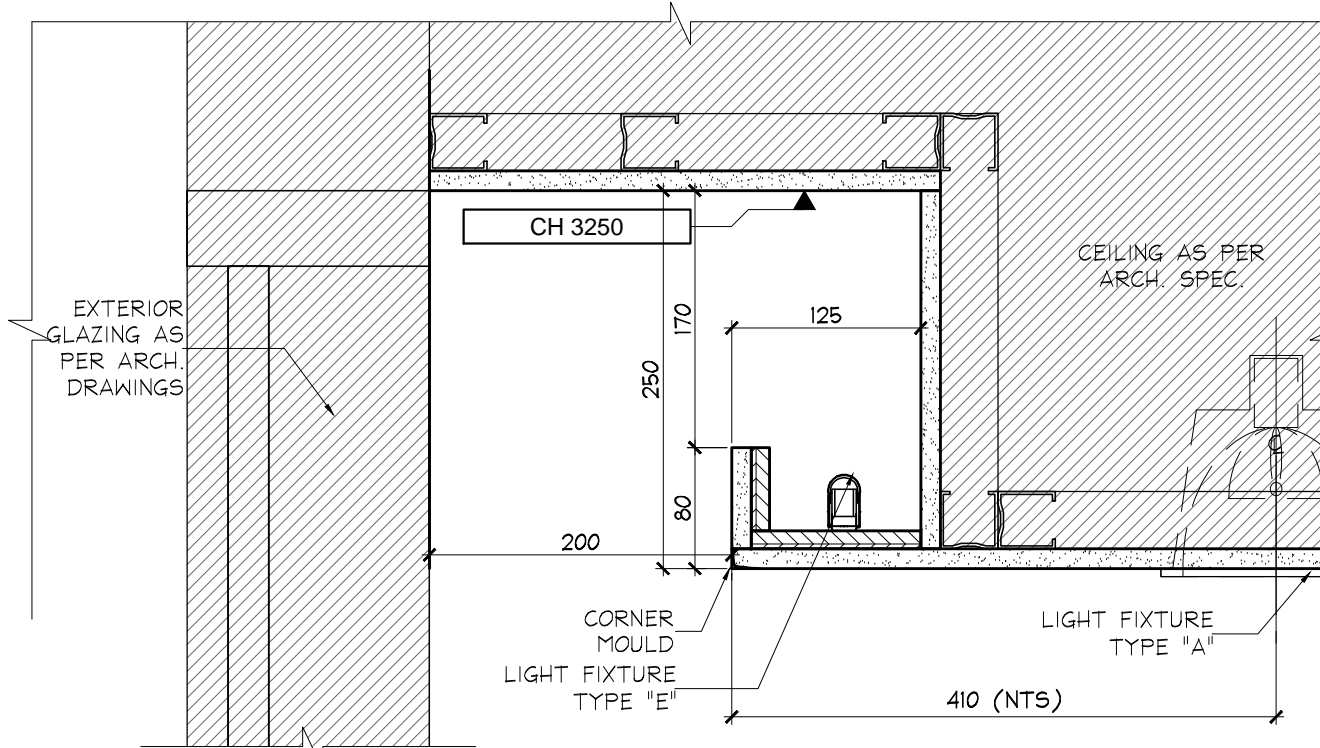


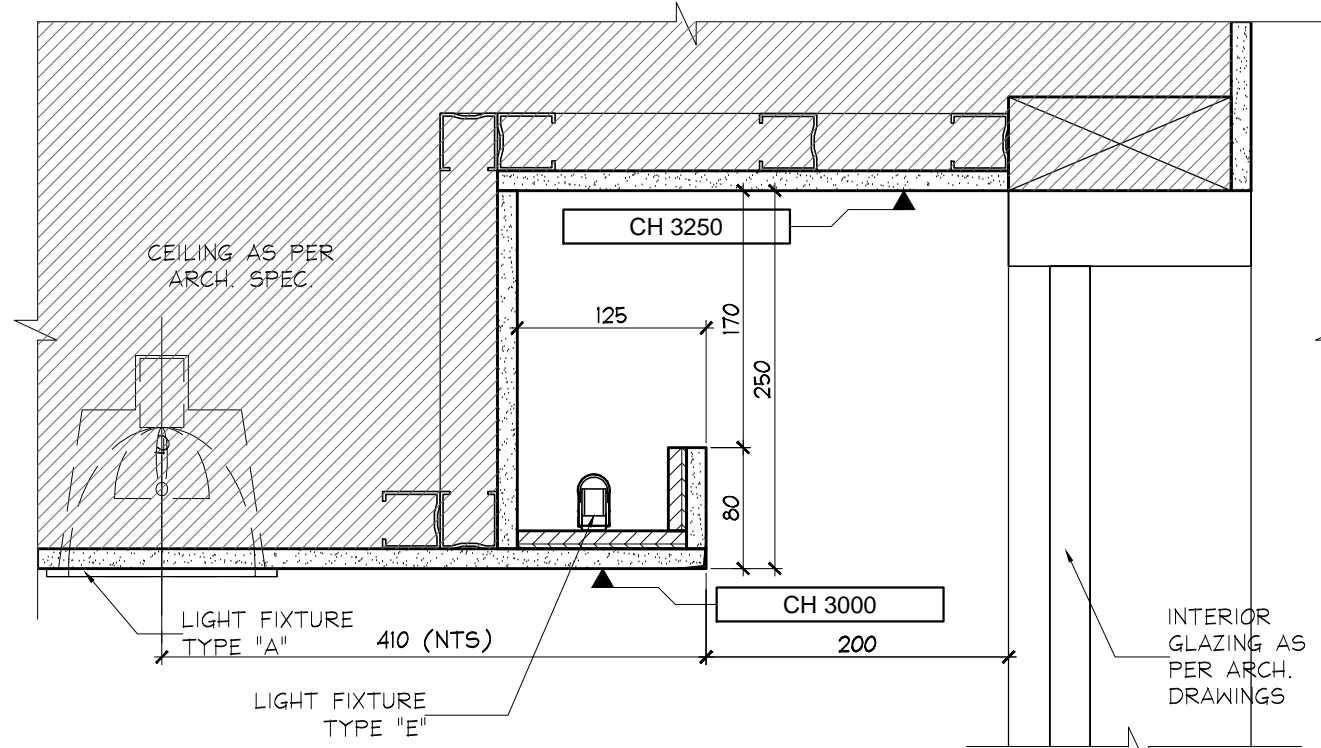
DO NOT SCALE DRAWINGS.

CONTRACTOR MUST VERIFY ALL DRAWINGS, DIMENSIONS, DETAILS AND SPECIFICATIONS, AND REPORT ANY DISCREPANCIES TO UNOBI 31 INC. BEFORE PROCEEDING WITH WORK. MATERIALS MAY NOT BE SUBSTITUTED WITHOUT WRITTEN APPROVAL FROM UNOBI 31 INC. ALL DRAWINGS AND SPECIFICATIONS ARE INSTRUMENTS OF SERVICE AND THE PROPERTY OF UNOBI 31 INC. WHICH MUST BE RETURNED AT THE COMPLETION OF THE WORK.

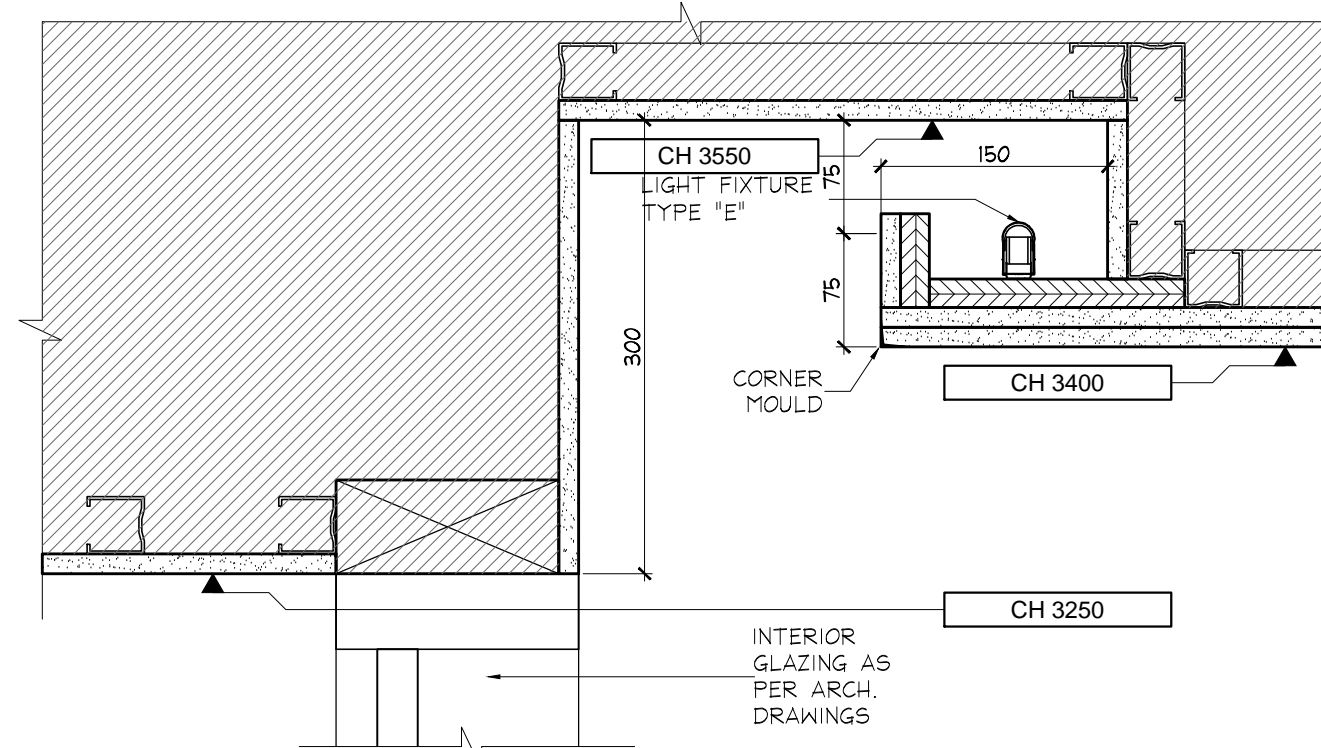
PRINTED: 15-JUL-15



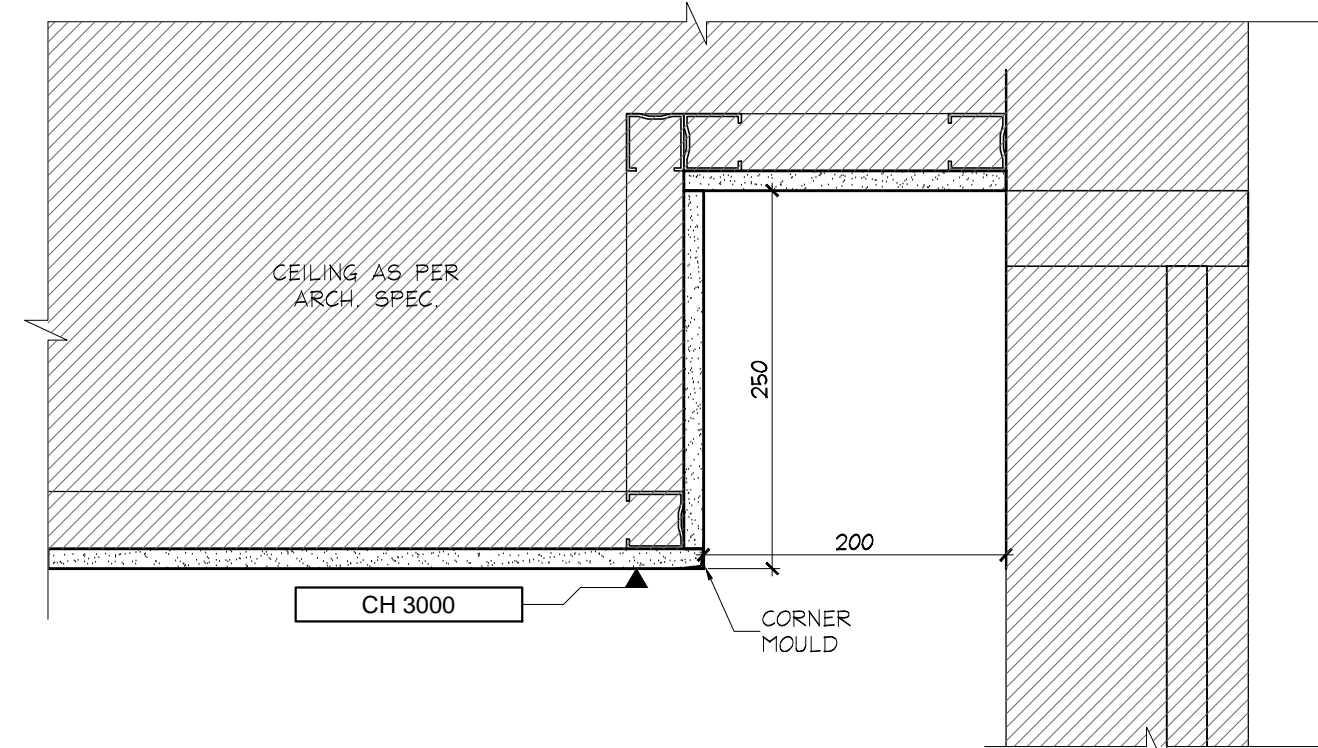
1 CEILING SECTION  
ID3.1.0 EAST VESTIBULE  
1ST FLOOR SCALE 1:5



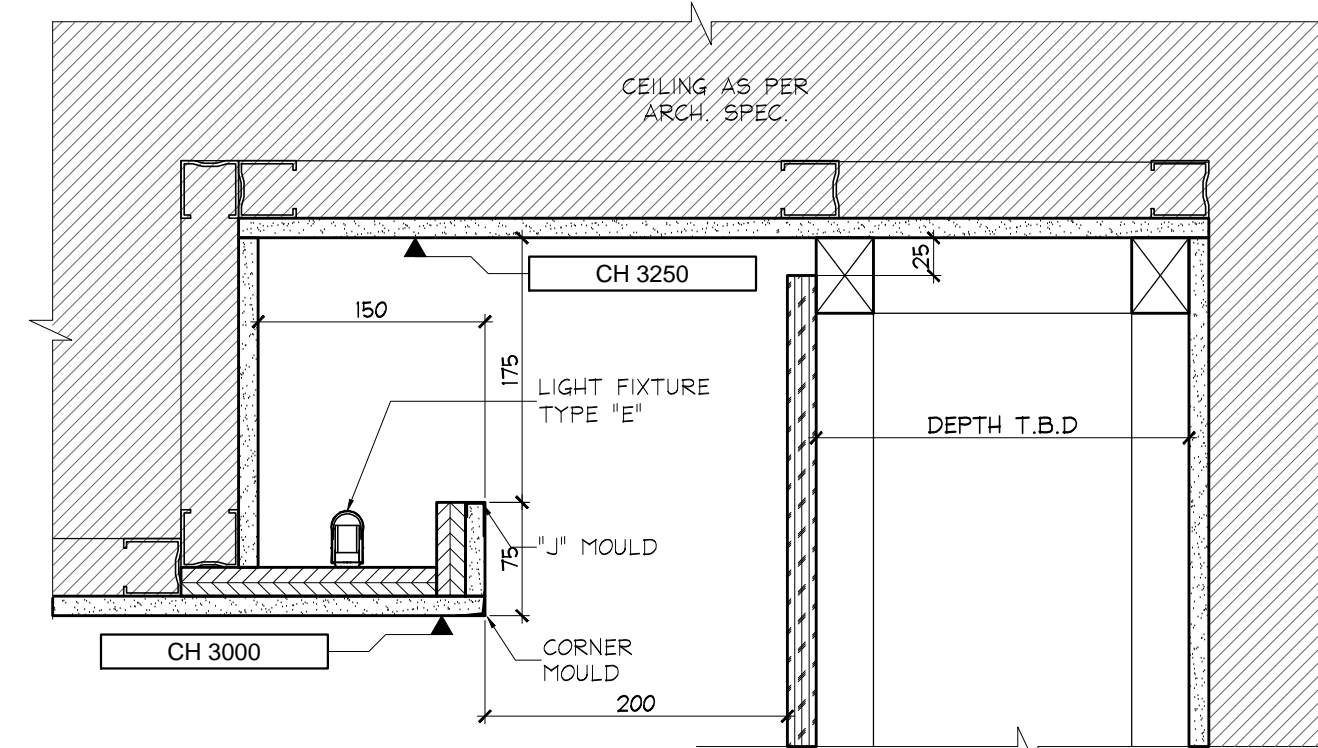
2 CEILING SECTION  
ID3.1.0 EAST VESTIBULE  
1ST FLOOR SCALE 1:5



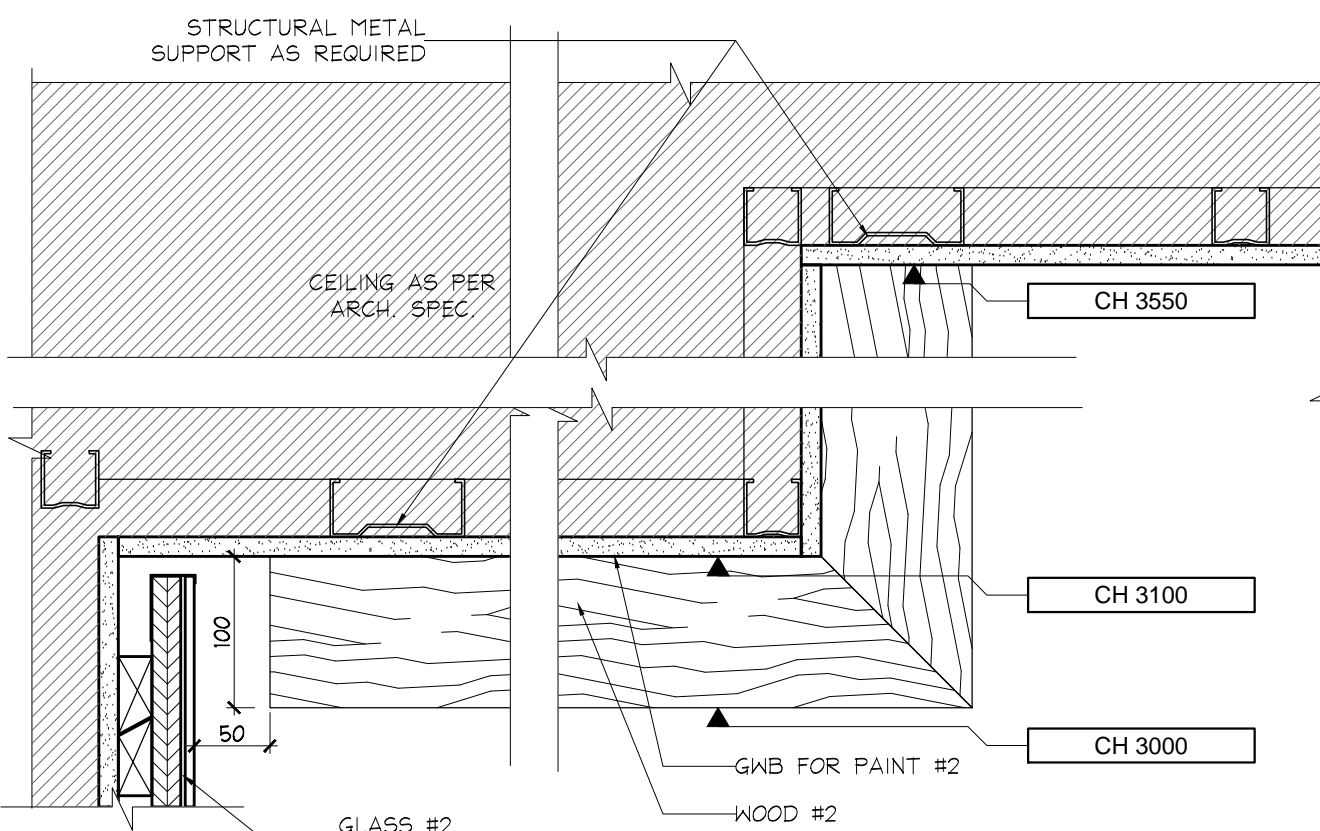
3 CEILING SECTION  
ID3.1.0 EAST VESTIBULE  
1ST FLOOR SCALE 1:5



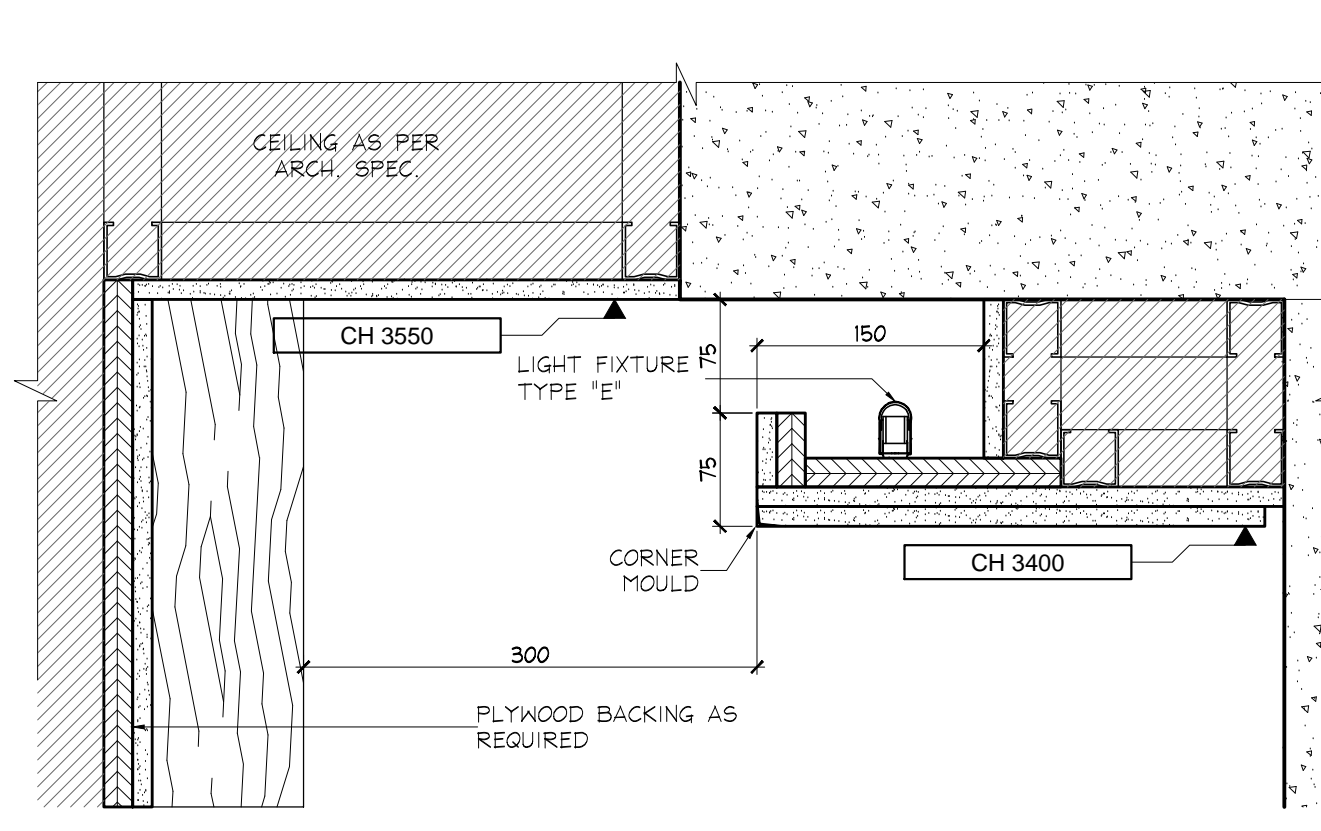
4 SECTION @ EXTERIOR GLAZ  
ID3.1.0 1ST FLOOR SCALE 1:5



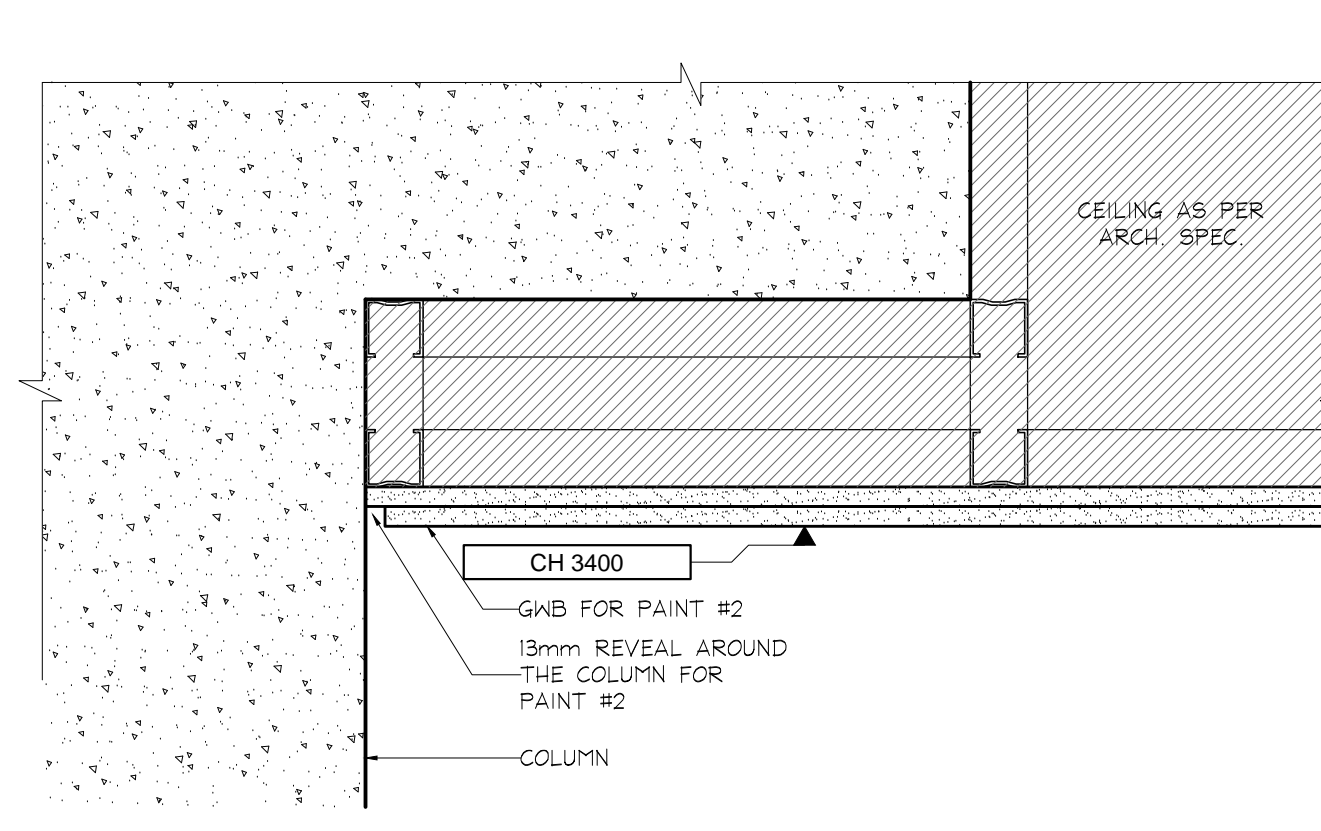
5 SECTION @ FIREPLACE  
ID3.1.0 1ST FLOOR SCALE 1:5



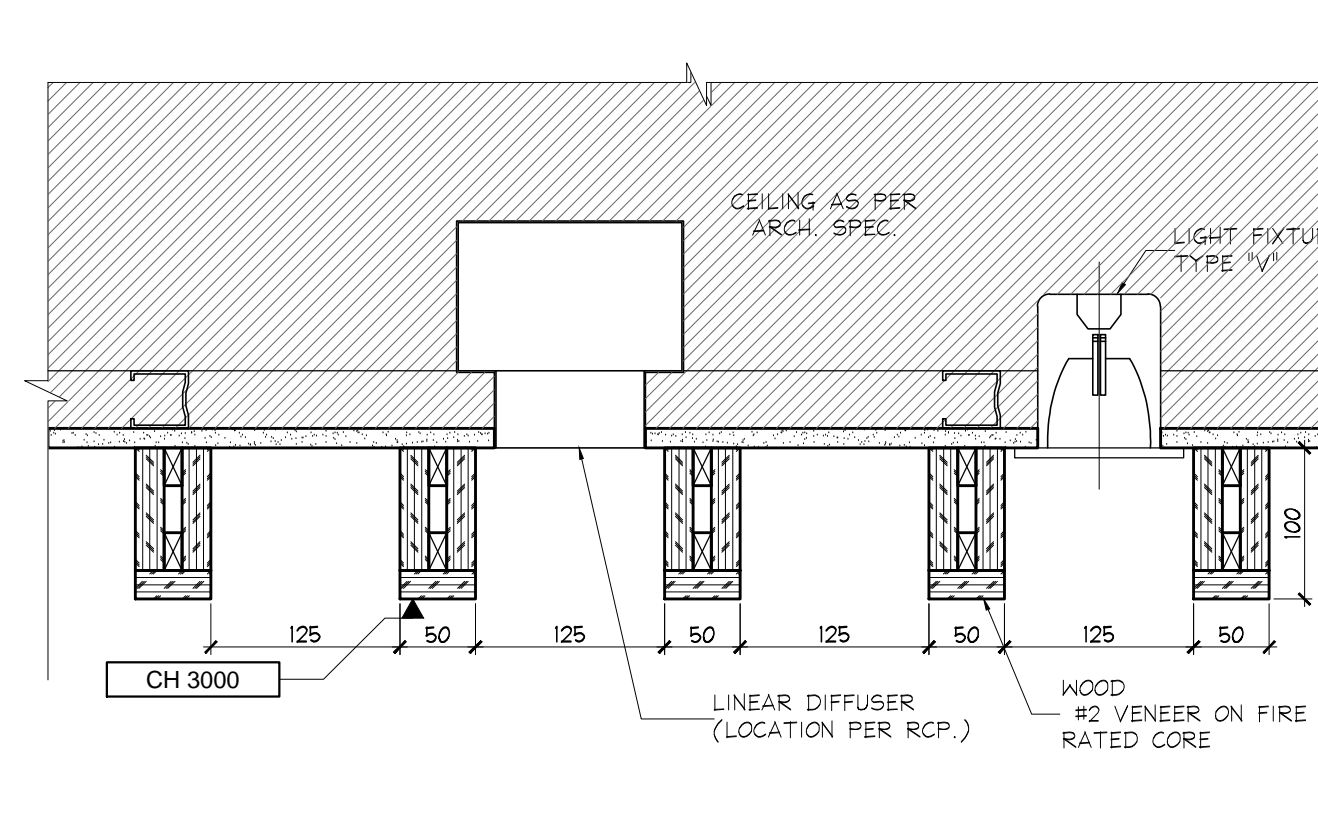
6 BULKHEAD @ CONCIERGE  
ID3.1.0 1ST FLOOR SCALE 1:5



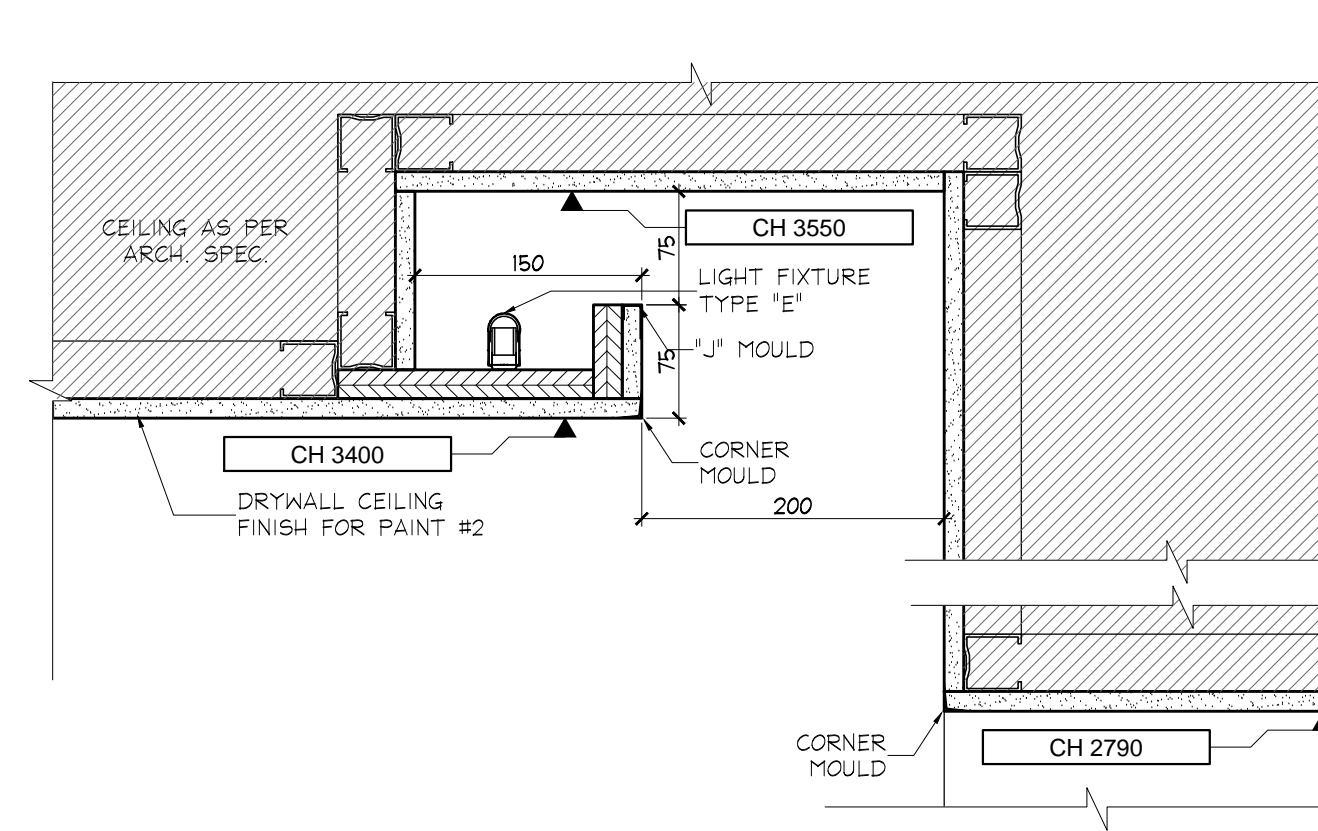
7 BULKHEAD @ CONCIERGE  
ID3.1.0 1ST FLOOR SCALE 1:5



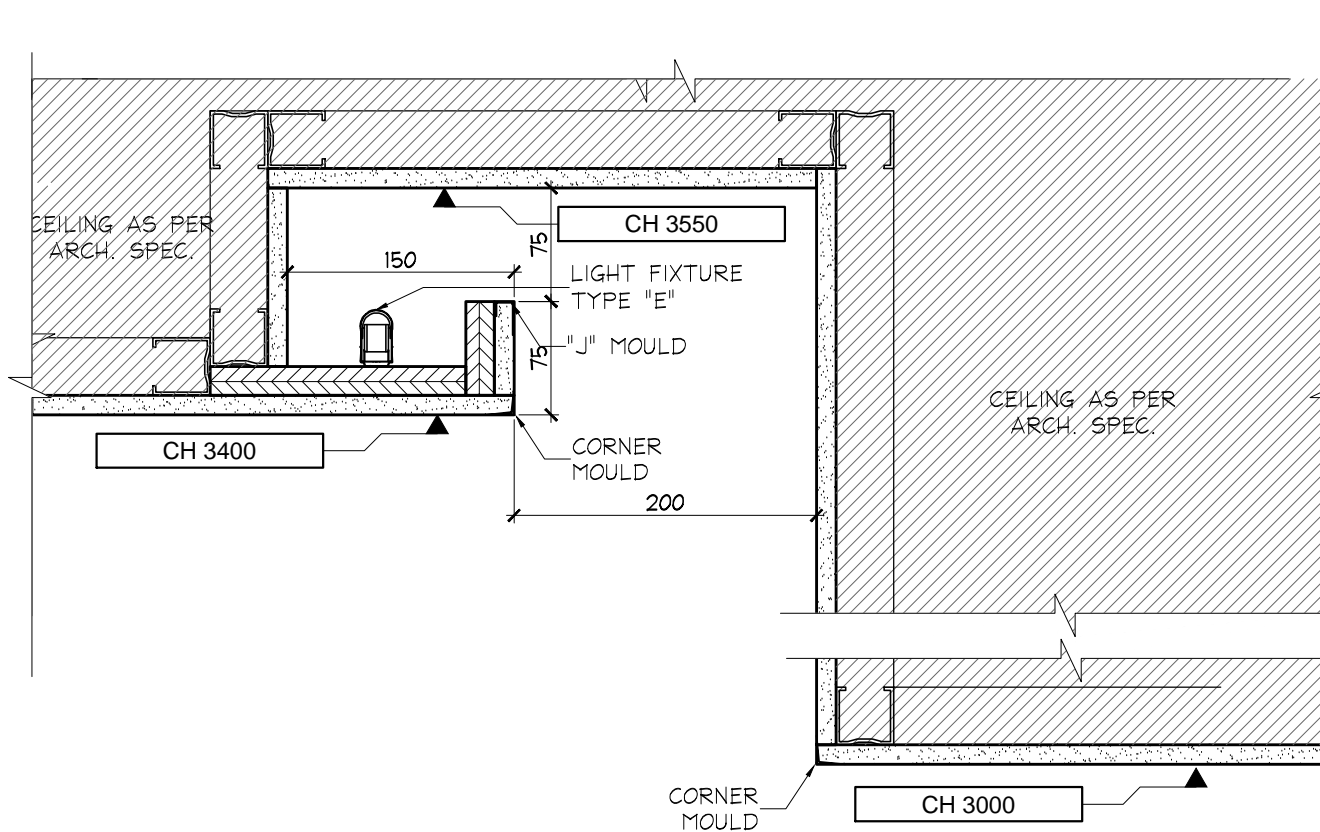
8 BULKHEAD @ CONCIERGE  
ID3.1.0 1ST FLOOR SCALE 1:5



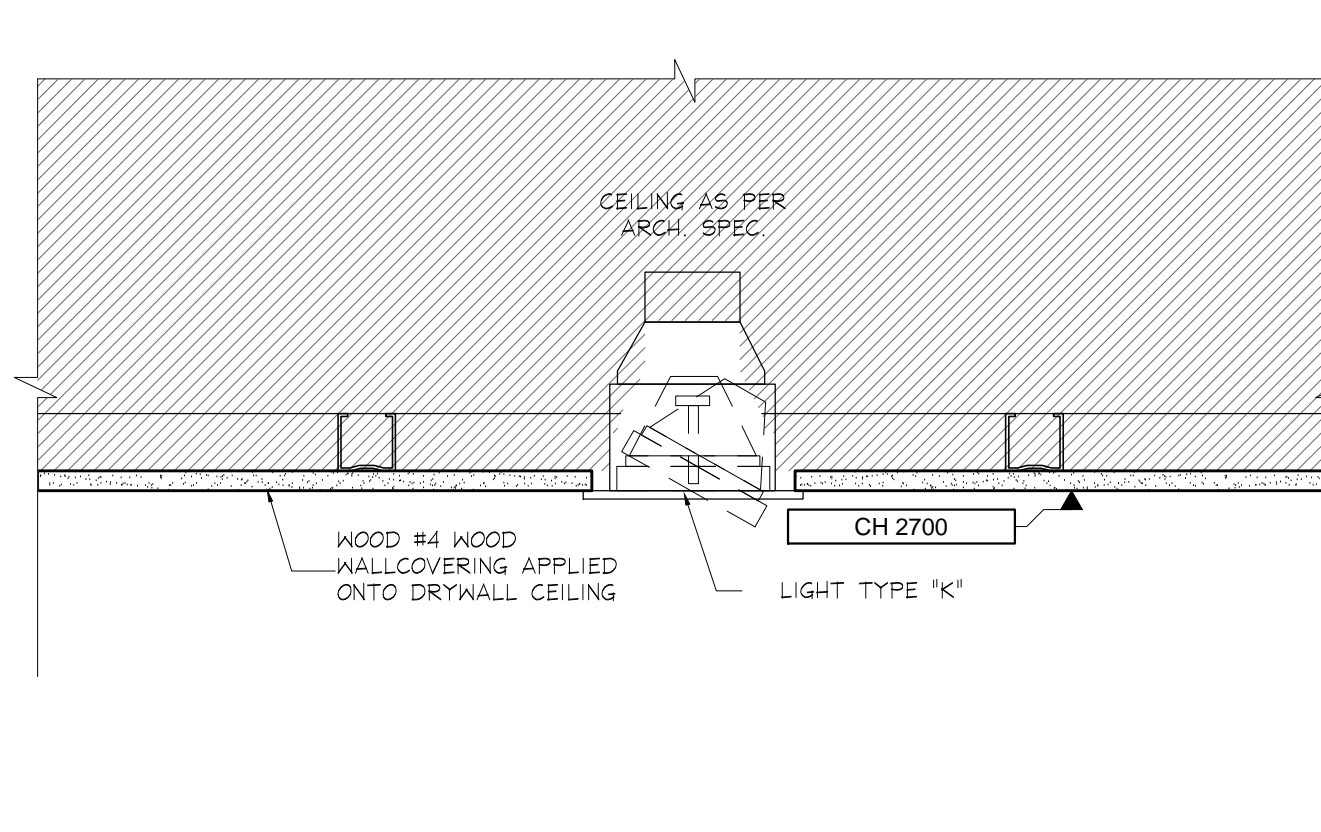
9 SECTION  
ID3.1.0 CEILING DETAIL @ CONCIERGE  
1ST FLOOR SCALE 1:5



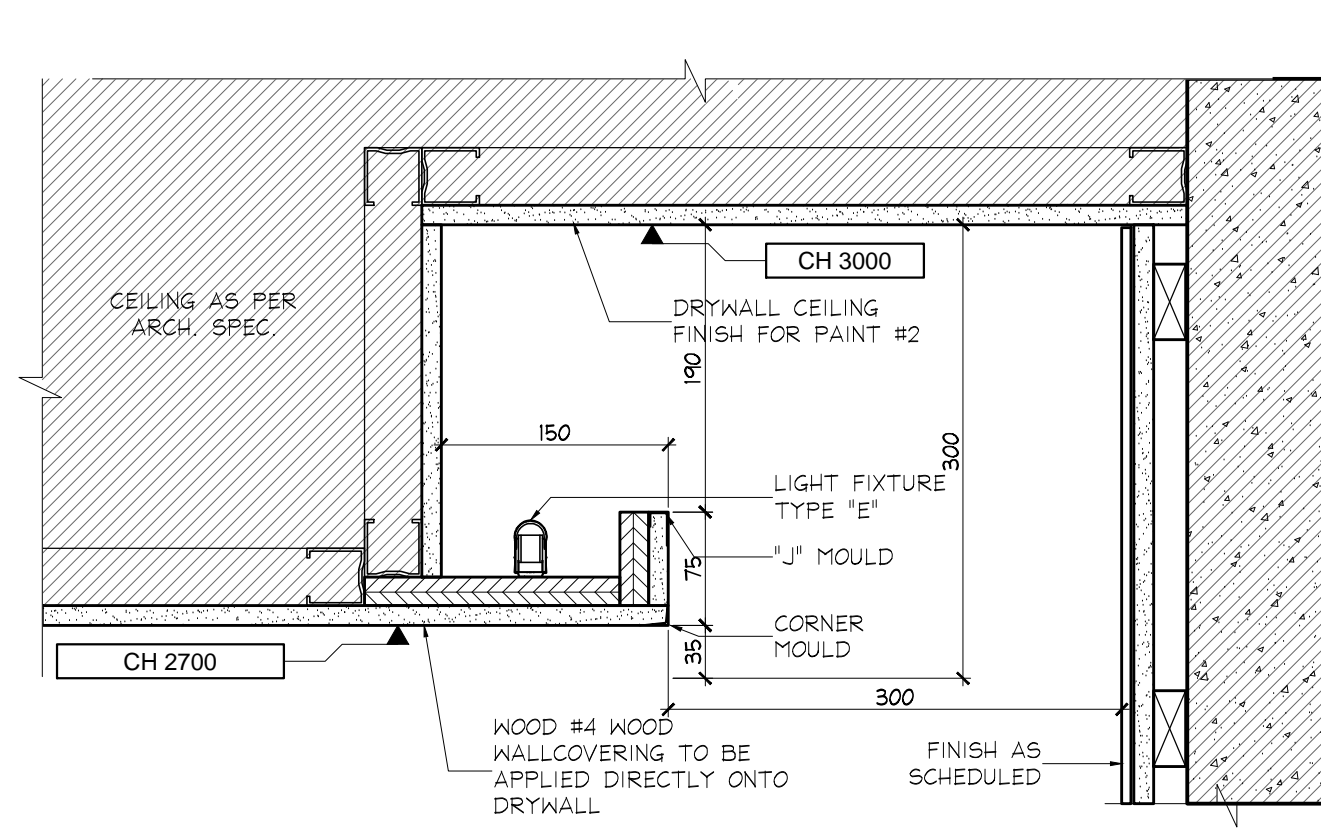
10 SECTION  
ID3.1.0 1ST FLOOR SCALE 1:5



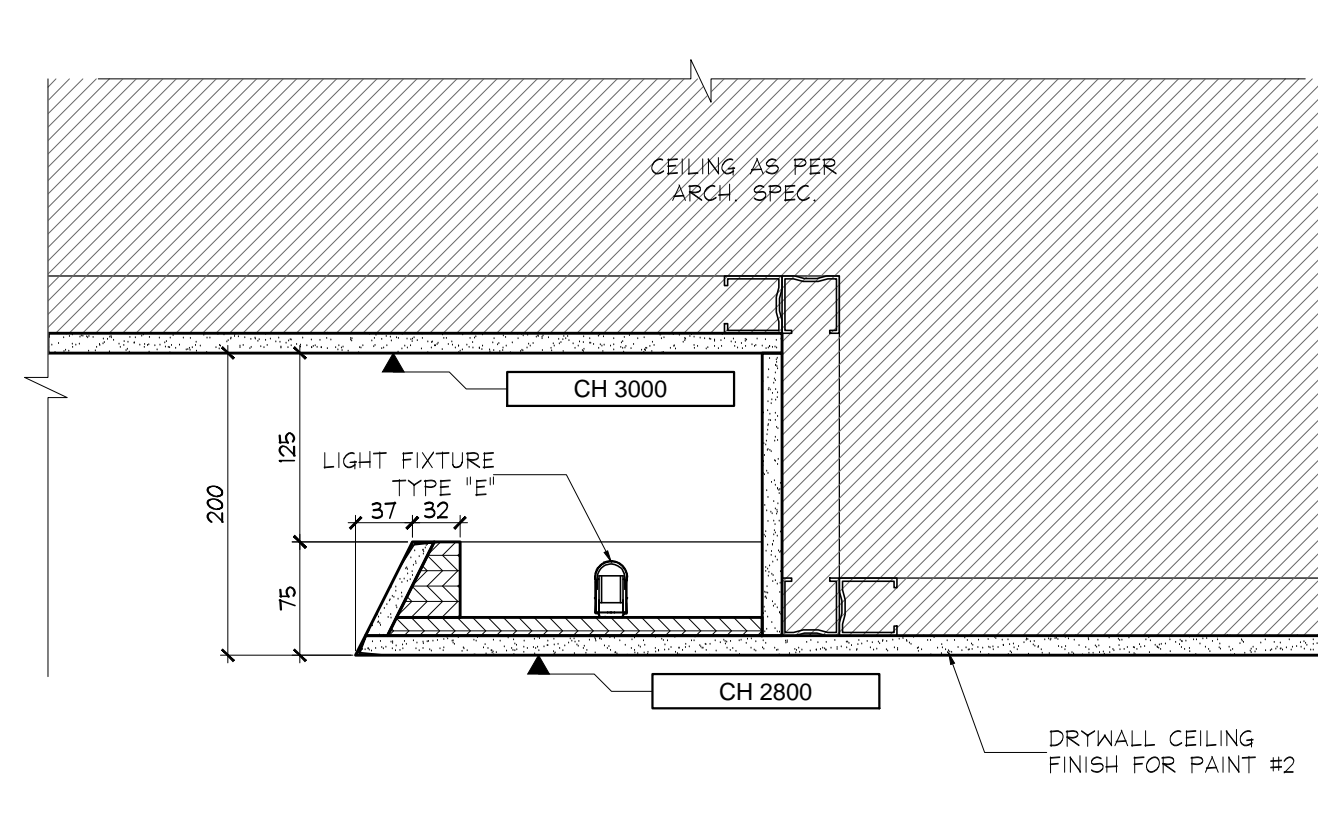
11 SECTION  
ID3.1.0 1ST FLOOR SCALE 1:5



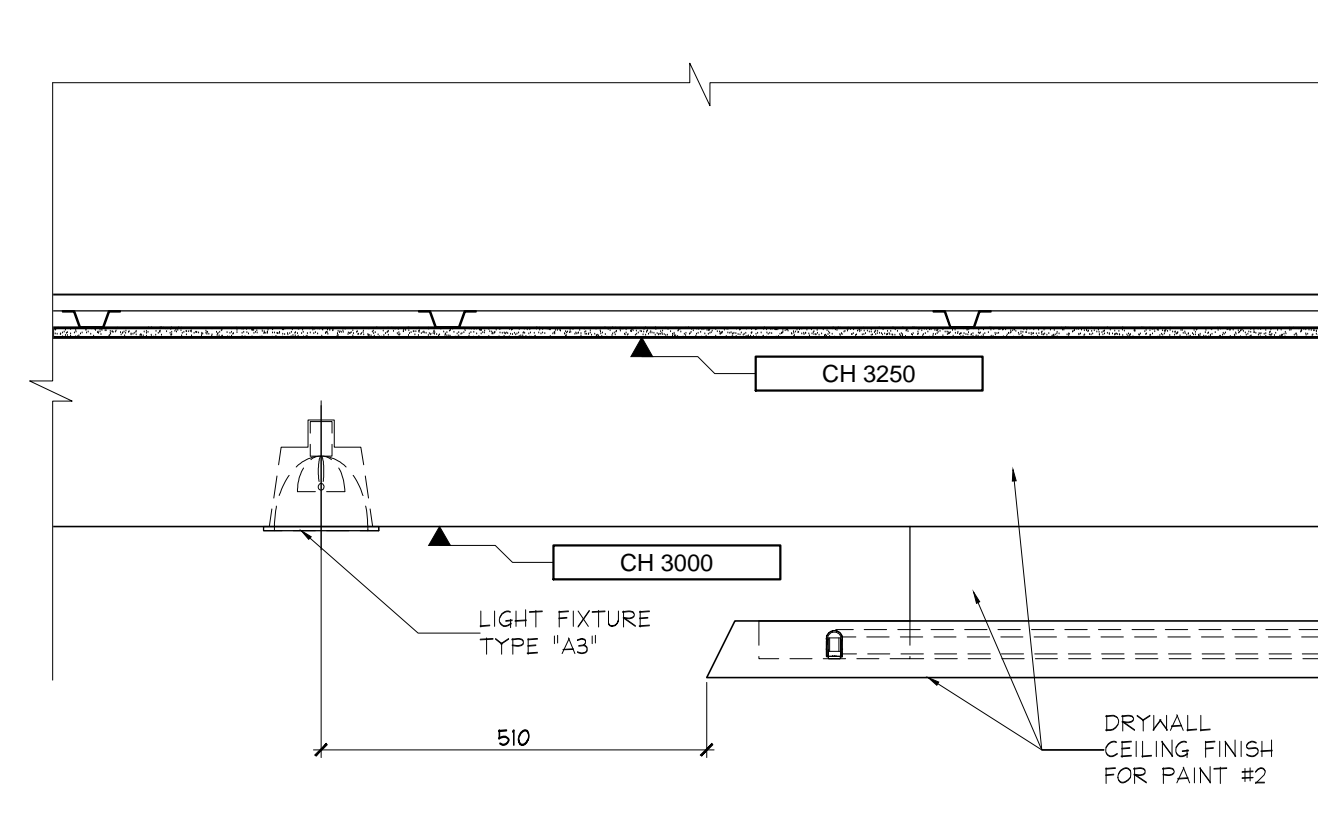
12 LIGHT DETAIL  
ID3.1.0 ELEVATOR LOBBY  
1ST FLOOR SCALE 1:5



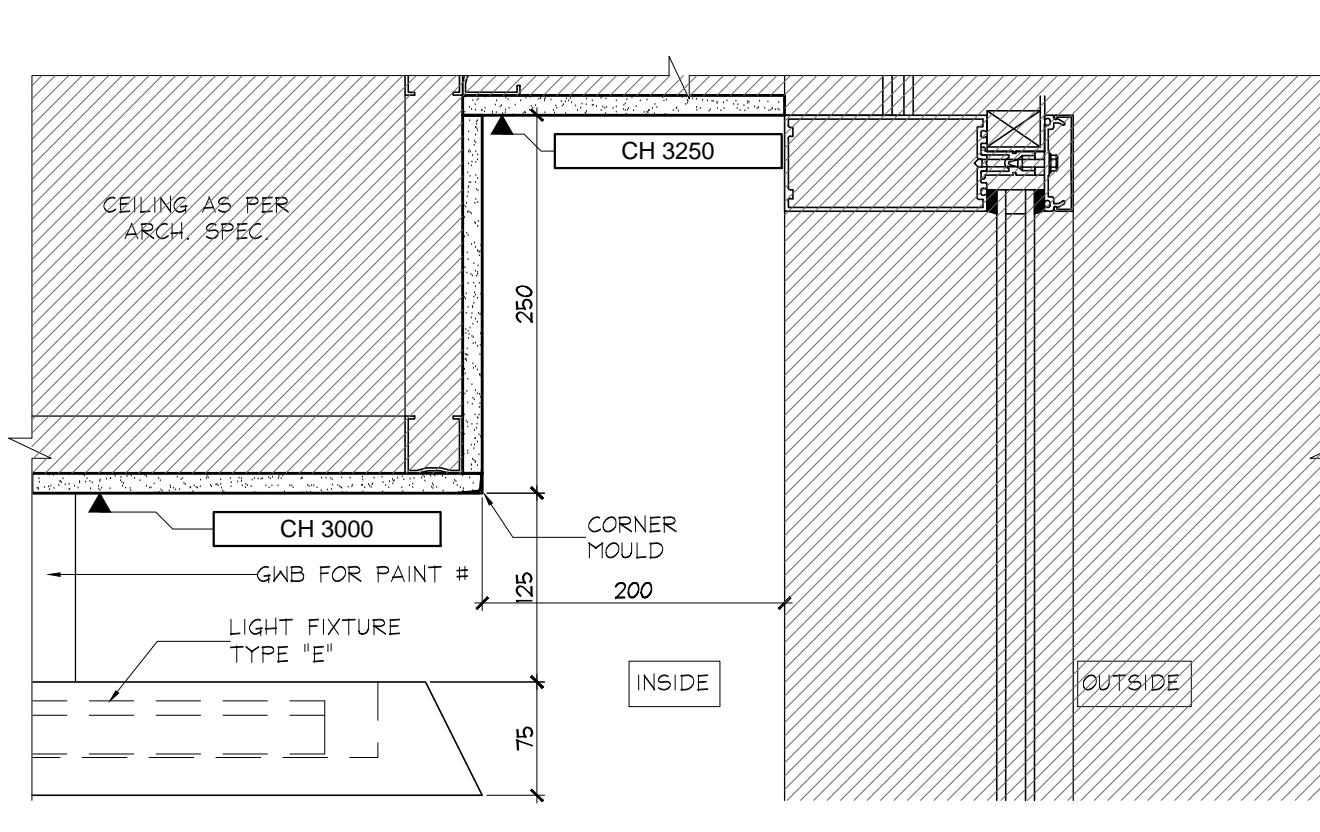
13 SECTION @ ELEVATOR COVE  
ID3.1.0 1ST FLOOR SCALE 1:5



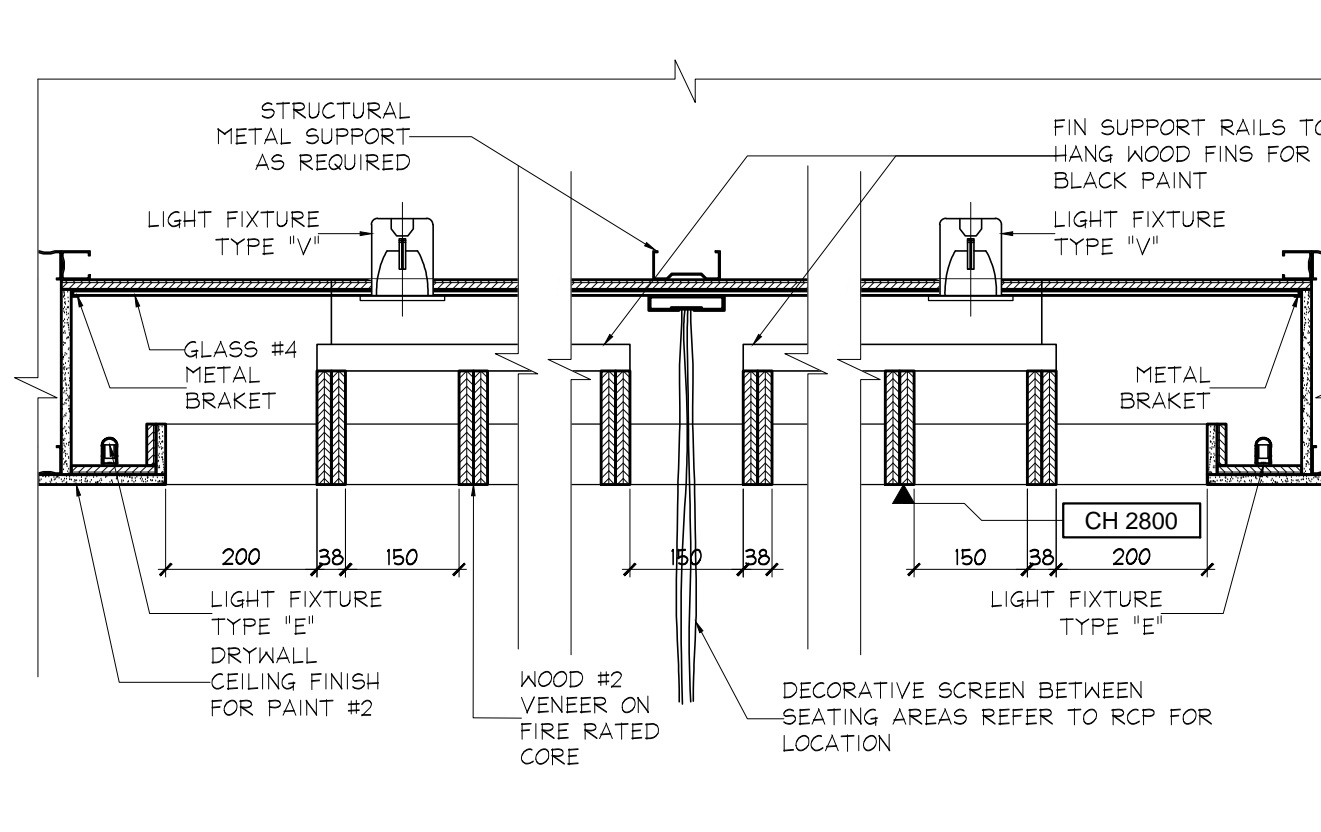
14 CEILING SECTION  
ID3.1.0 PARTY ROOM  
1ST FLOOR SCALE 1:5



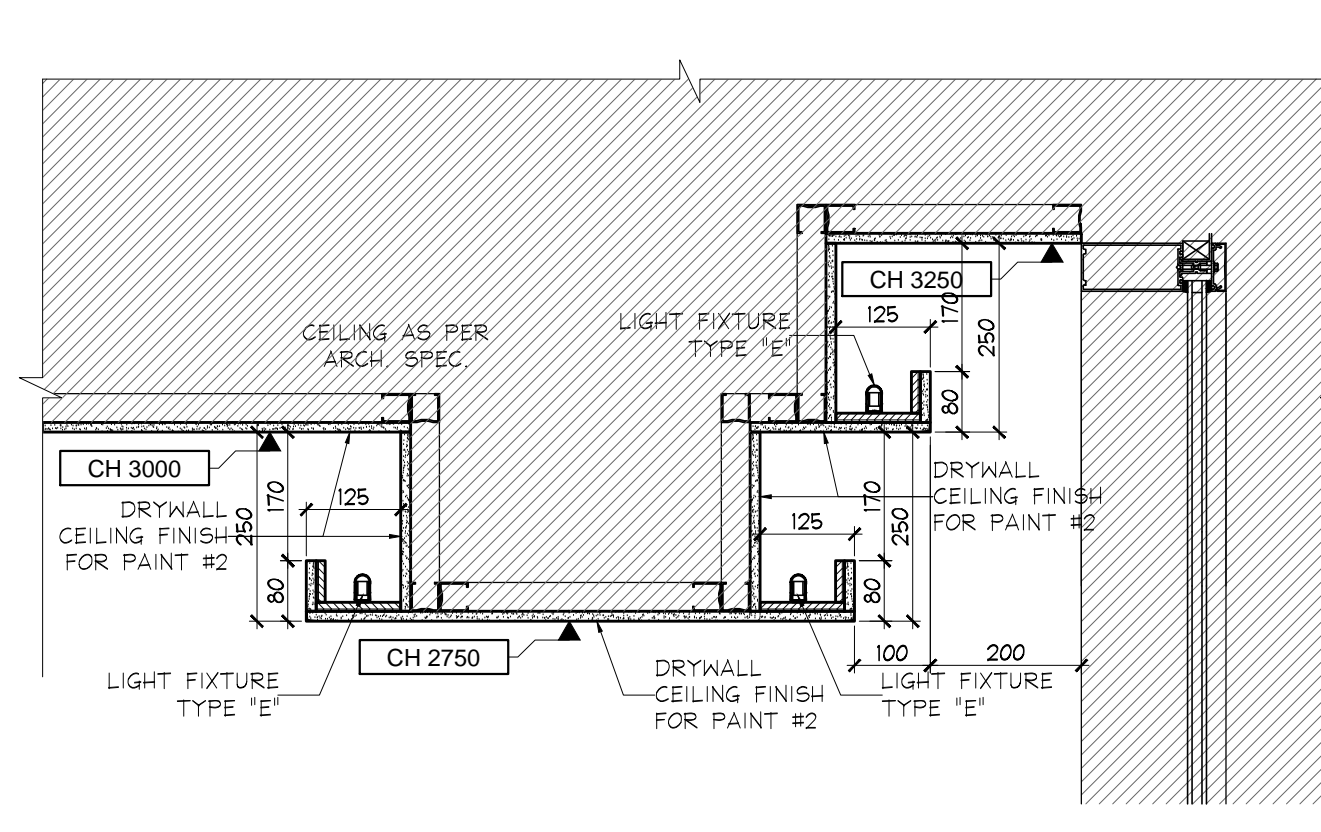
15 CEILING SECTION  
ID3.1.0 PARTY ROOM  
1ST FLOOR SCALE 1:10



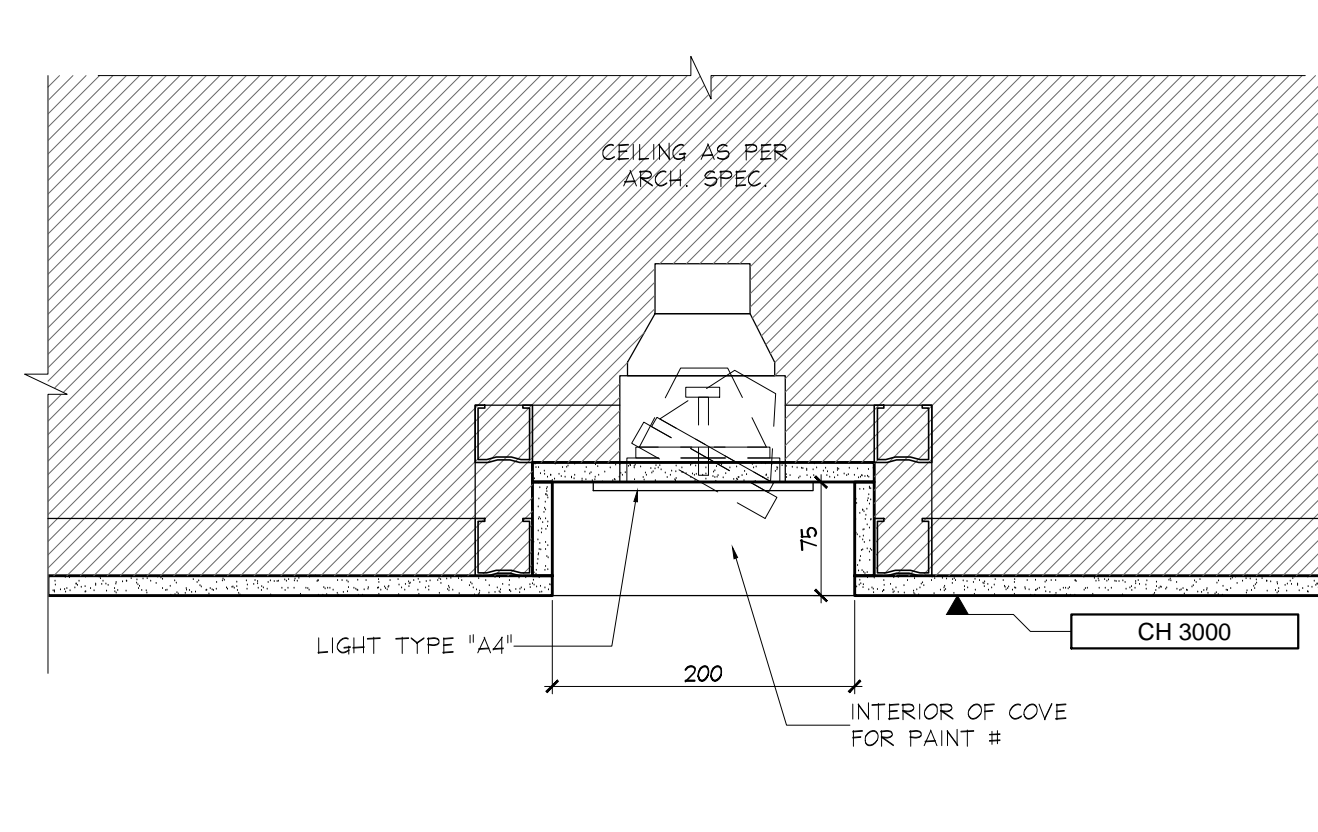
16 CEILING SECTION  
ID3.1.0 PARTY ROOM  
1ST FLOOR SCALE 1:5



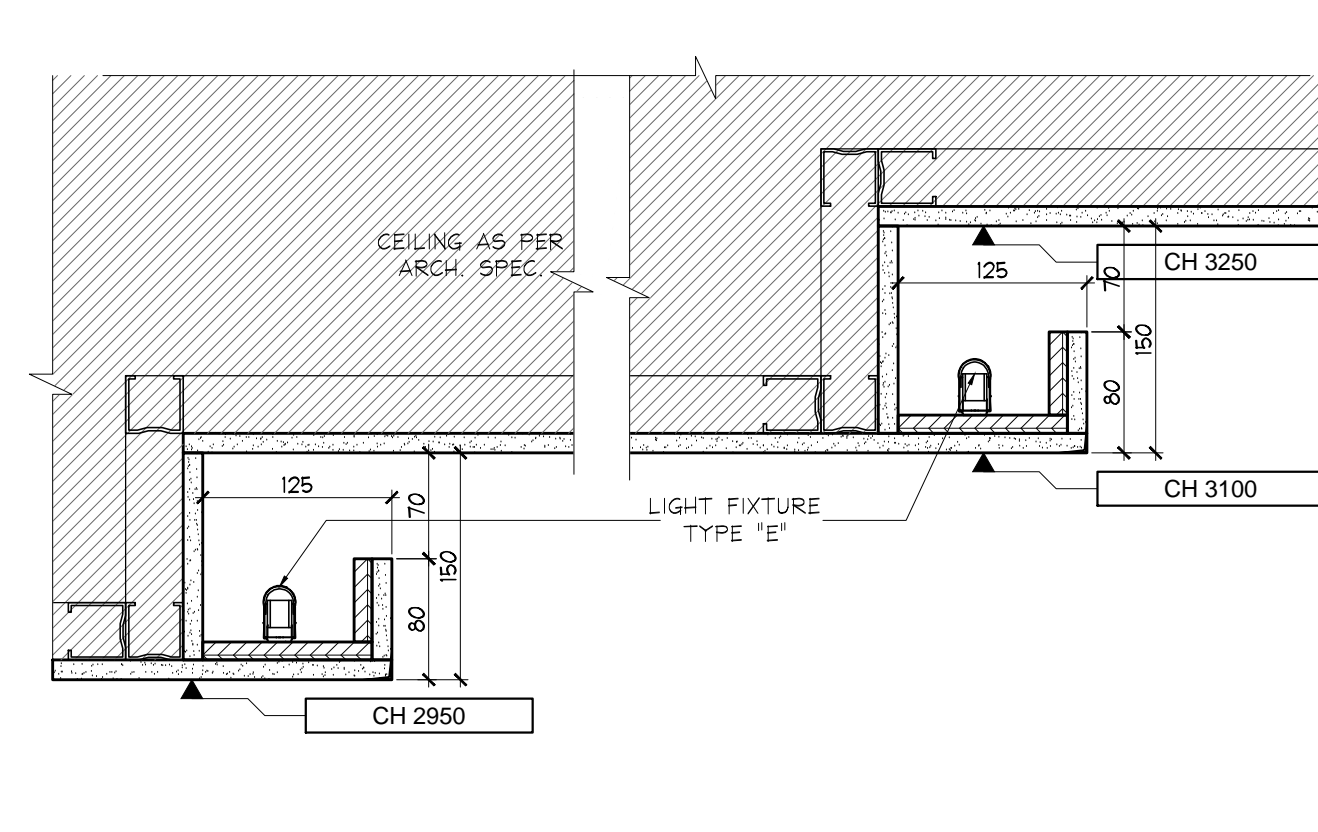
17 CEILING SECTION  
ID3.1.0 PARTY ROOM  
1ST FLOOR SCALE 1:10



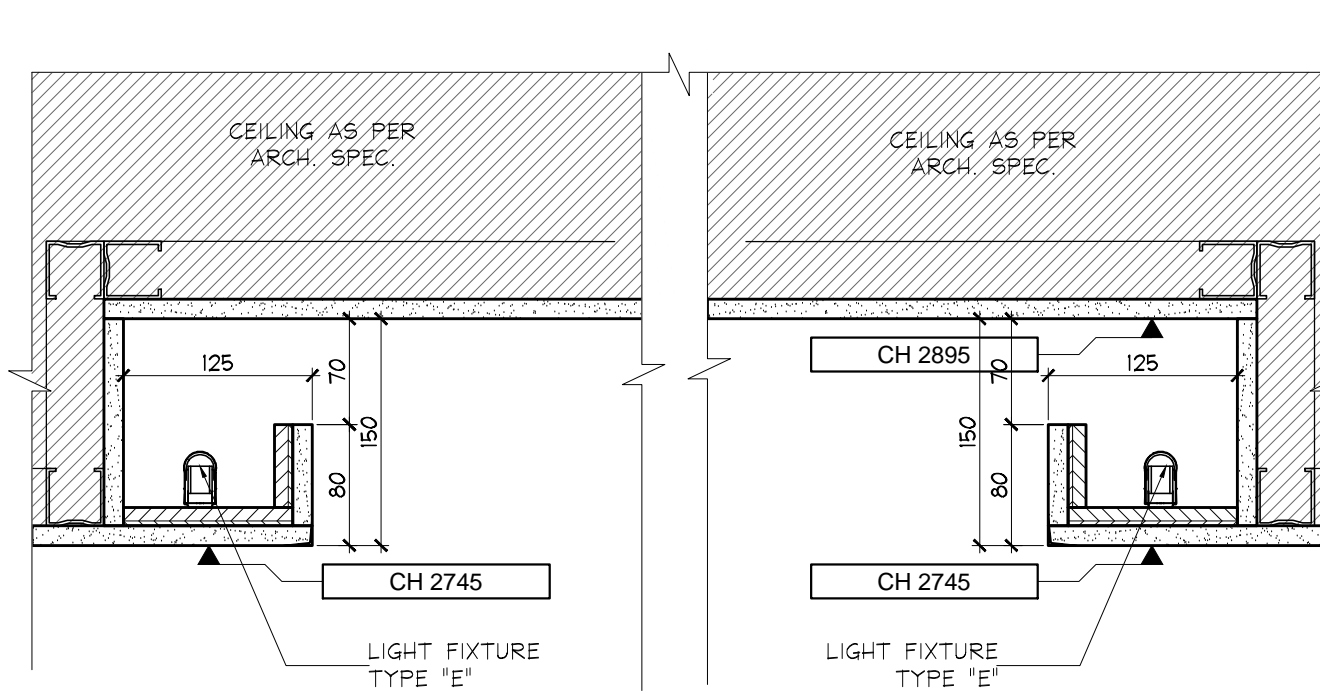
18 CEILING SECTION  
ID3.1.0 FITNESS AREA  
1ST FLOOR SCALE 1:10



19 CEILING SECTION  
ID3.1.0 FITNESS AREA  
1ST FLOOR SCALE 1:5



20 CEILING SECTION  
ID3.1.0 THEATRE  
1ST FLOOR SCALE 1:5



21 CEILING SECTION  
ID3.1.0 PROPERTY MANAGEMENT OFFICE  
1ST FLOOR SCALE 1:5

NO	DATE	COMMENTS	INI
10	15 JULY 15	ISSUED FOR TRIM CARPENTRY TENDER	CB
09	16 JUNE 15	ISSUED FOR FINISH CARPENTRY	CB
03	06 MAR 15	ISSUED FOR TILE TENDER	AP
02	26 JAN 15	ISSUED FOR TENDER	AP
01	22 AUG 14	ISSUED FOR PERMIT	AP

**UNOBI 31**

UNOBI 31 INC.  
183 BATHURST STREET, STE. 201  
TORONTO, ON, M5T 2R7, CANADA  
TEL: 416-597-1576 FAX: 416-597-2139

PROJECT NAME:	ALEXANDRA PARK MAIN BUILDING
BLOCK 11 ON, Canada	
PROJECT NO.:	13-949
DRAWINGS:	CEILING DETAILS
DATE STARTED:	07 AUG / 13
SCALE:	AS NOTED
DRAWN BY:	GG
APPROVED BY:	KC
DRAWING NO.:	ID 3.1.0