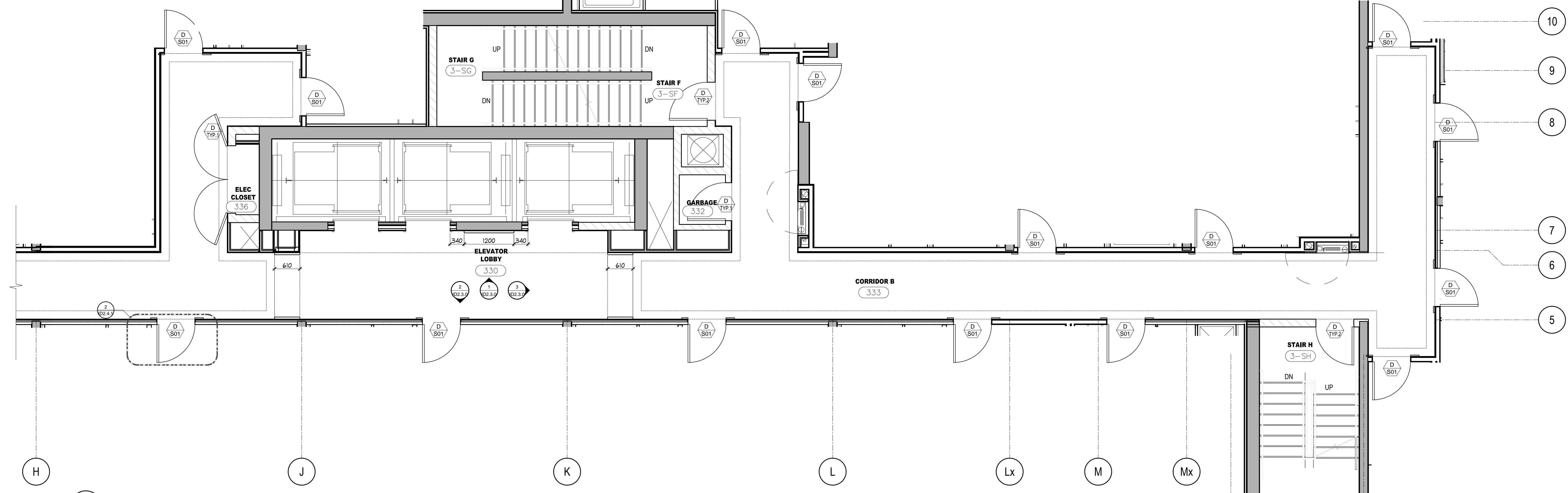
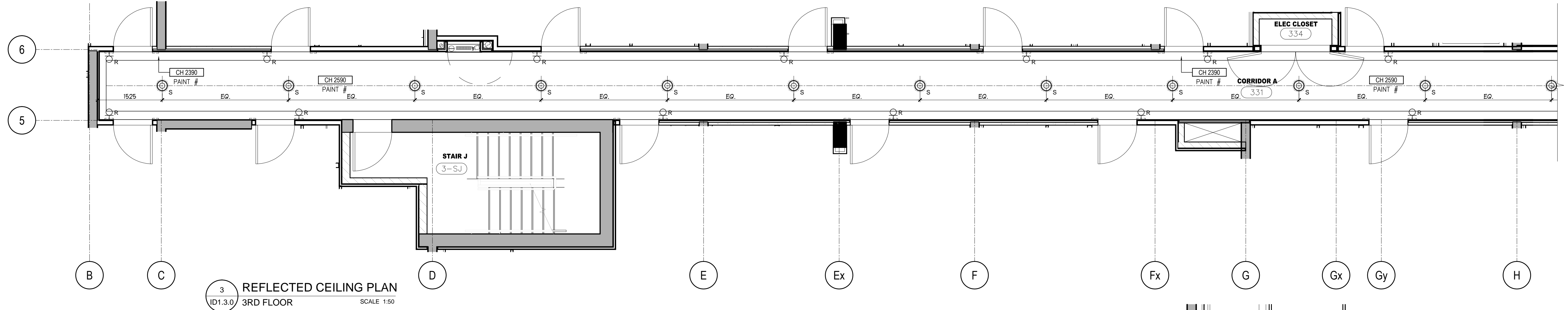


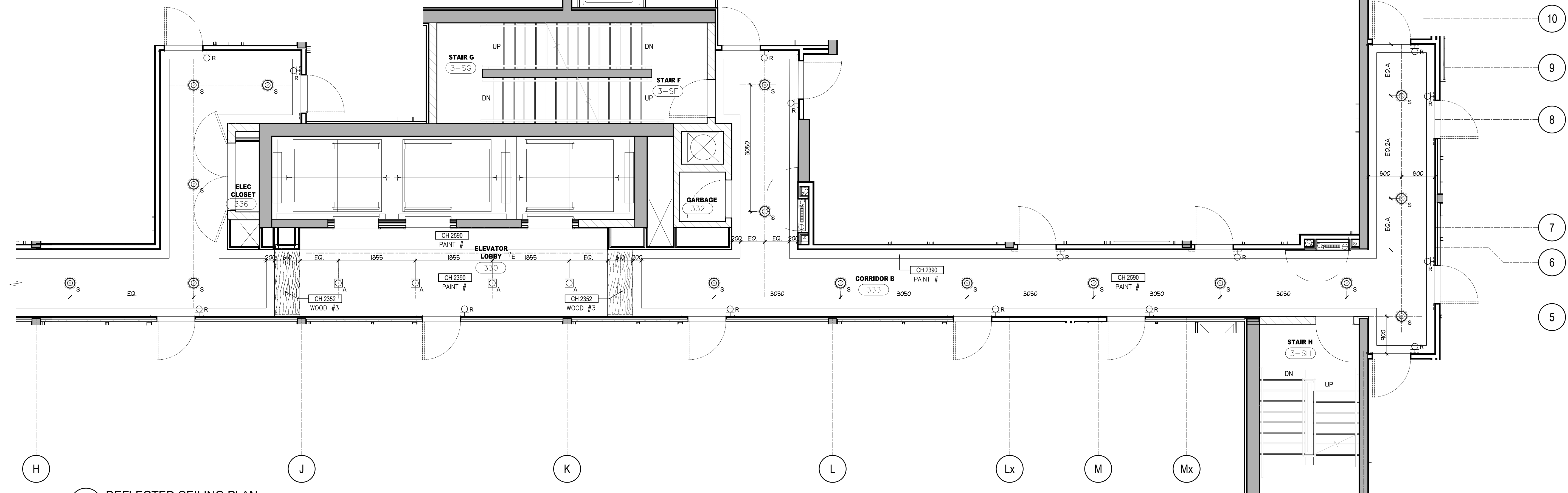
1 CONSTRUCTION PLAN  
3RD FLOOR SCALE 1:50



2 CONSTRUCTION PLAN  
3RD FLOOR SCALE 1:50



3 REFLECTED CEILING PLAN  
3RD FLOOR SCALE 1:50



4 REFLECTED CEILING PLAN  
3RD FLOOR SCALE 1:50

**DO NOT SCALE DRAWINGS.**  
CONTRACTOR MUST VERIFY ALL DRAWINGS, DIMENSIONS, DETAILS AND SPECIFICATIONS, AND REPORT ANY DISCREPANCIES TO UNICOR 31 INC. BEFORE PROCEEDING WITH WORK. MATERIALS MAY NOT BE SUBSTITUTED WITHOUT WRITTEN APPROVAL FROM UNICOR 31 INC.  
ALL DRAWINGS AND SPECIFICATIONS ARE INSTRUMENTS OF SERVICE AND THE PROPERTY OF UNICOR 31 INC. WHICH MUST BE RETURNED AT THE COMPLETION OF THE WORK.

PRINTED: 20-Aug-15

NO	DATE	COMMENTS	INI
11	20 AUG / 15	ISSUED FOR DRYWALL TENDER	CB
10	15 JULY / 15	ISSUED FOR TRIM CARPENTRY TENDER	CB
09	16 JUNE / 15	ISSUED FOR FINISH CARPENTRY	CB
03	06 MAR / 15	ISSUED FOR TILE TENDER	AP
02	26 JAN / 15	ISSUED FOR TENDER	AP
01	22 AUG / 14	ISSUED FOR PERMIT	AP

UNICOR 31

**UNICOR 31 INC.**  
183 BATHURST STREET, STE. 201  
TORONTO, ON, M5T 2R7, CANADA  
TEL: 416-597-1576 FAX: 416-597-2139

PROJECT NAME: <b>ALEXANDRA PARK MAIN BUILDING</b>	
BLOCK 11 ON, Canada	
PROJECT NO.: 13-949	DRAWINGS: 3RD FLOOR CONSTRUCTION PLAN & REFLECTED CEILING PLAN
DATE STARTED: 07 AUG / 13	DRAWING NO.: ID
SCALE: 1 : 50	1.3.0
DRAWN BY: AP	APPROVED BY: KC