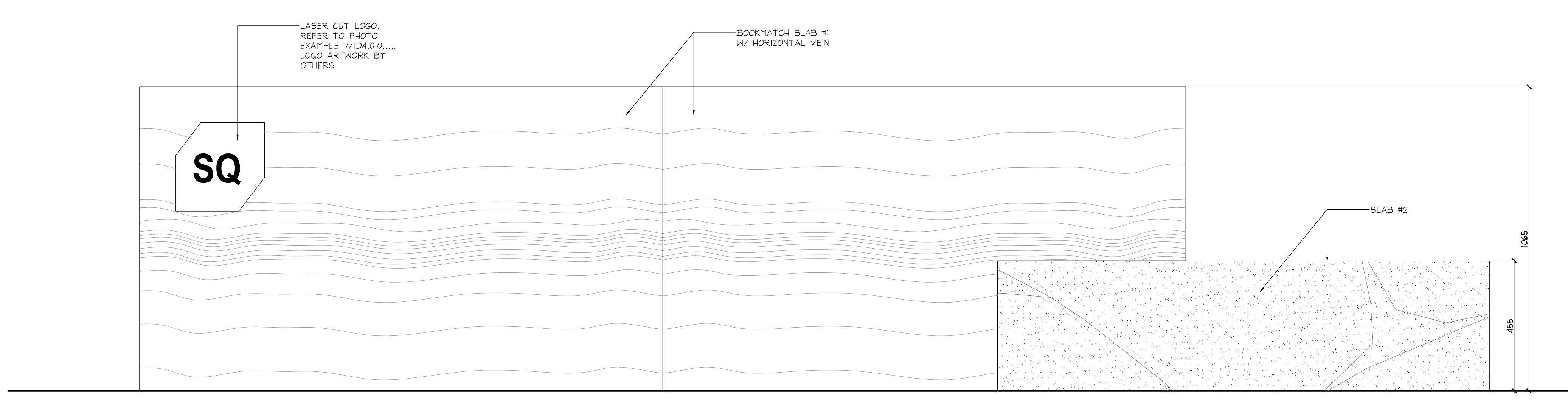
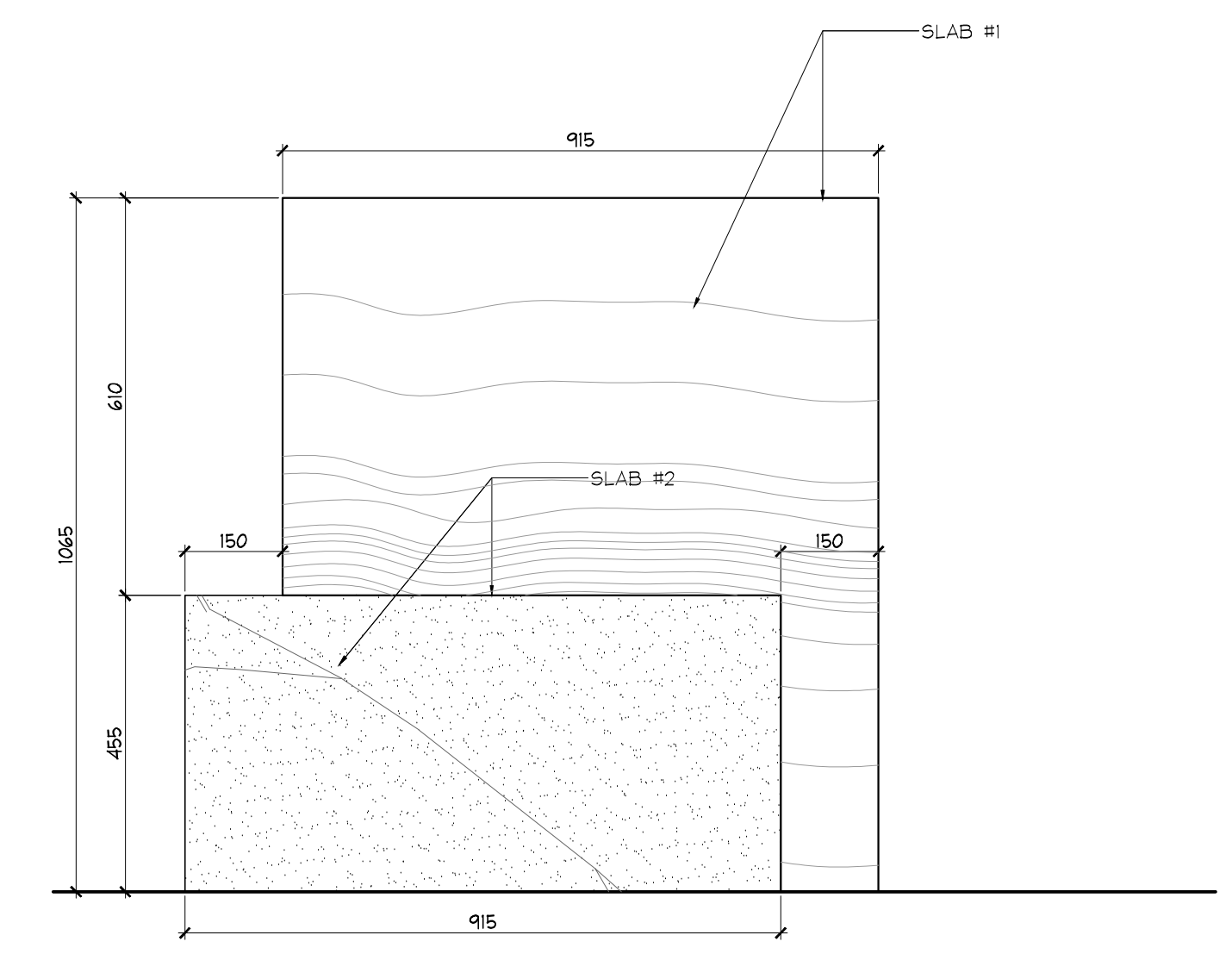


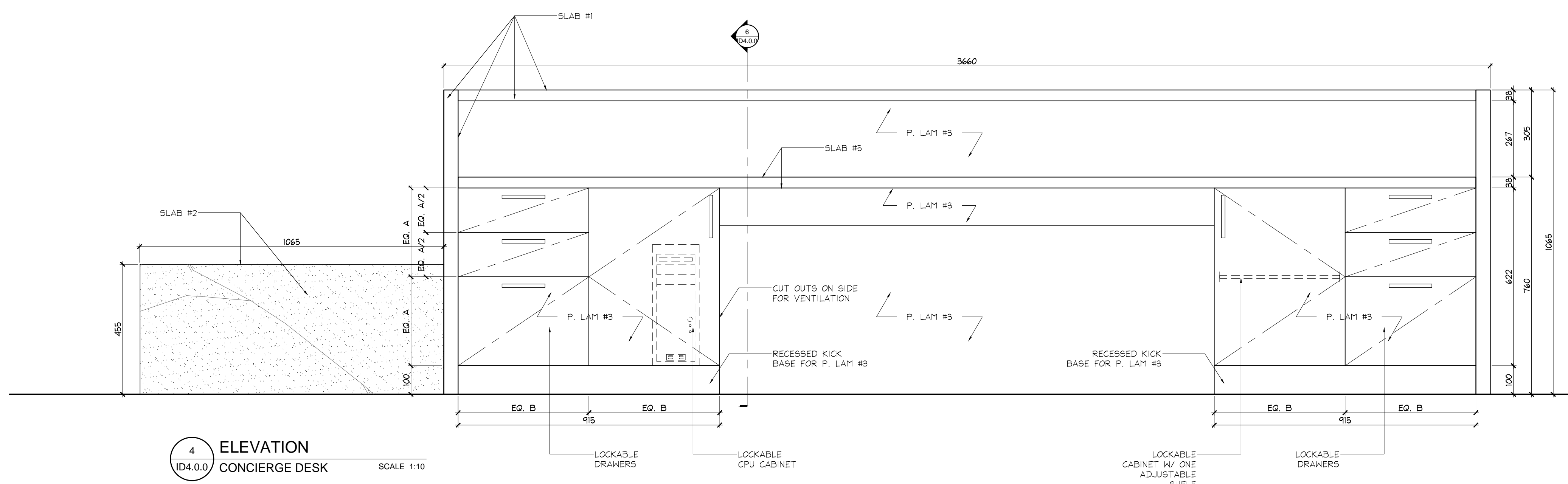
1 PLAN CONCIERGE DESK SCALE 1:10



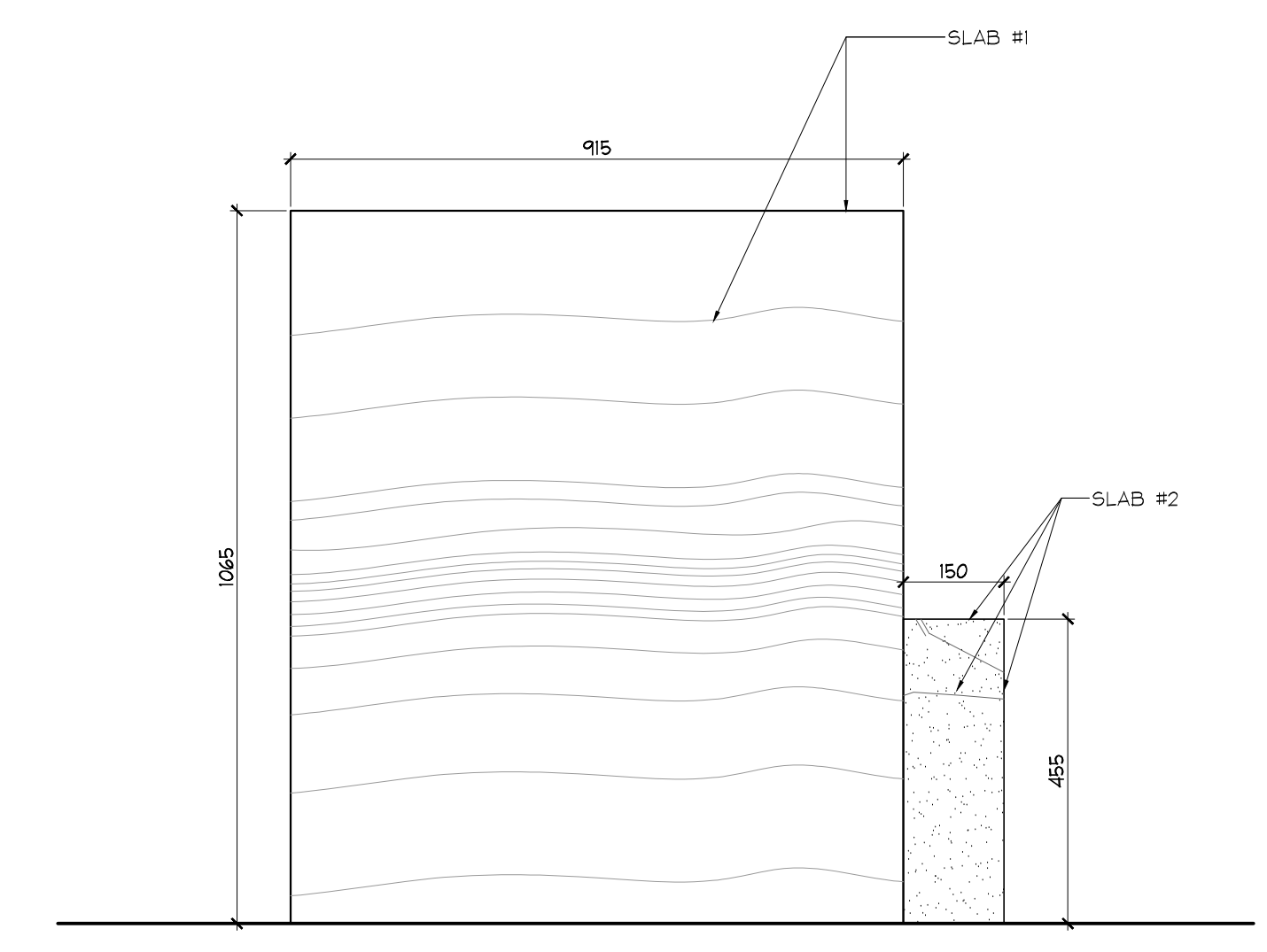
2 ELEVATION CONCIERGE DESK SCALE 1:10



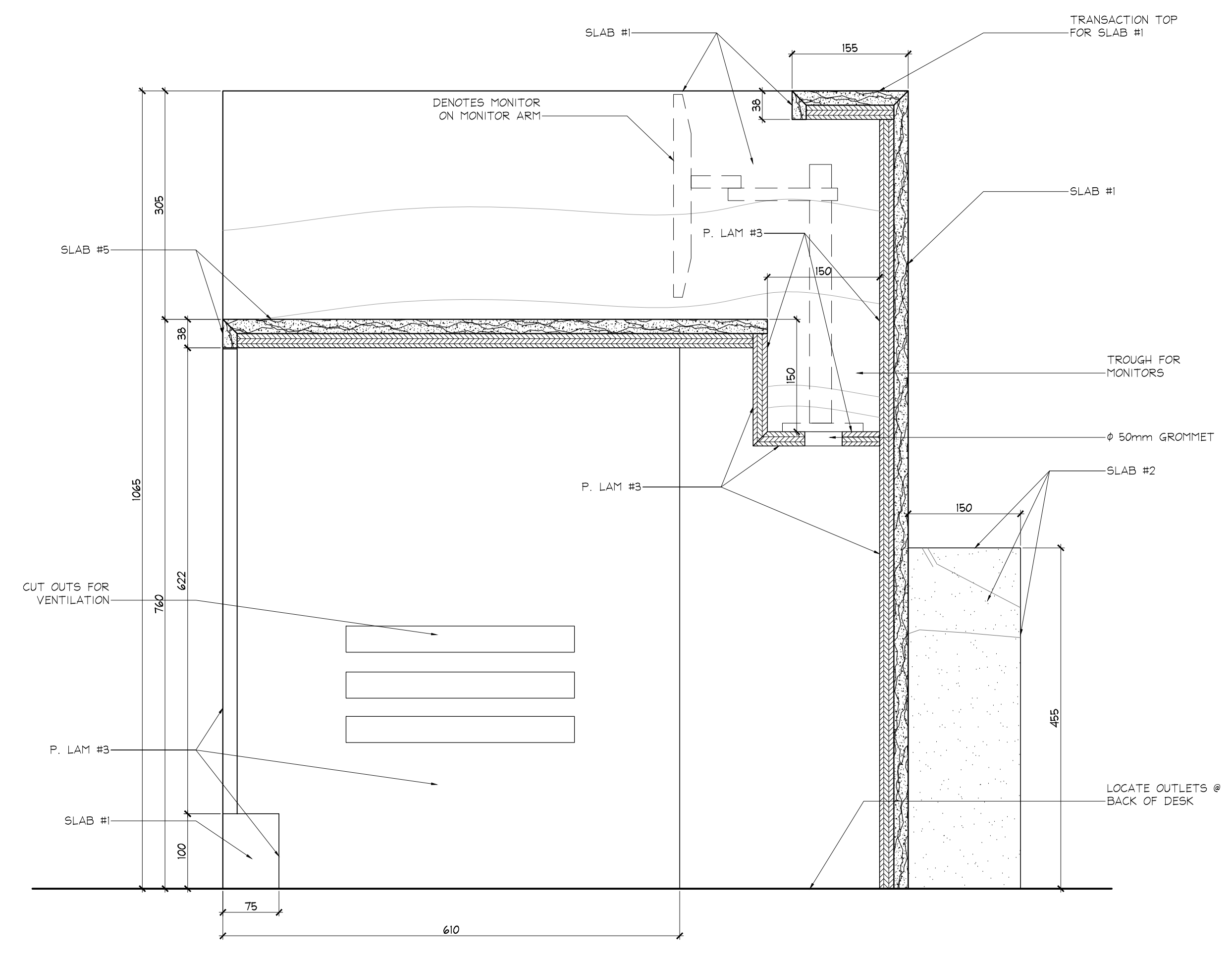
3 ELEVATION CONCIERGE DESK SCALE 1:10



4 ELEVATION CONCIERGE DESK SCALE 1:10



5 ELEVATION CONCIERGE DESK SCALE 1:10



6 SECTION CONCIERGE DESK SCALE 1:10



7 LASER CUT SAMPLE CONCIERGE DESK N.T.S.

DO NOT SCALE DRAWINGS.

CONTRACTOR MUST VERIFY ALL DRAWINGS, DIMENSIONS, DETAILS AND SPECIFICATIONS, AND REPORT ANY DISCREPANCIES TO UNION 31 INC. BEFORE PROCEEDING WITH WORK. MATERIALS MAY NOT BE SUBSTITUTED WITHOUT WRITTEN APPROVAL FROM UNION 31 INC. ALL DRAWINGS AND SPECIFICATIONS ARE INSTRUMENTS OF SERVICE AND THE PROPERTY OF UNION 31 INC. WHICH MUST BE RETURNED AT THE COMPLETION OF THE WORK.

PRINTED: 20-Aug-15

NO	DATE	COMMENTS	INI
11	20 AUG / 15	ISSUED FOR DRYWALL TENDER	CB
10	15 JULY / 15	ISSUED FOR TRIM CARPENTRY TENDER	CB
09	16 JUNE / 15	ISSUED FOR FINISH CARPENTRY	CB
02	26 JAN / 15	ISSUED FOR TENDER	AP

UNION 31

UNION 31 INC.
183 BATHURST STREET, STE. 201
TORONTO, ON, M5T 2R7, CANADA
TEL: 416-597-1576 FAX: 416-597-2139

PROJECT NAME:
**ALEXANDRA PARK
MAIN BUILDING**
BLOCK 11
ON, Canada

PROJECT NO.: 13-949
DRAWING NO.:
MILLWORK DETAILS

DATE STARTED: 07 AUG / 13
SCALE: AS NOTED
DRAWN BY: SM
APPROVED BY: KC

DRAWING NO.:
**ID
4.0.0**