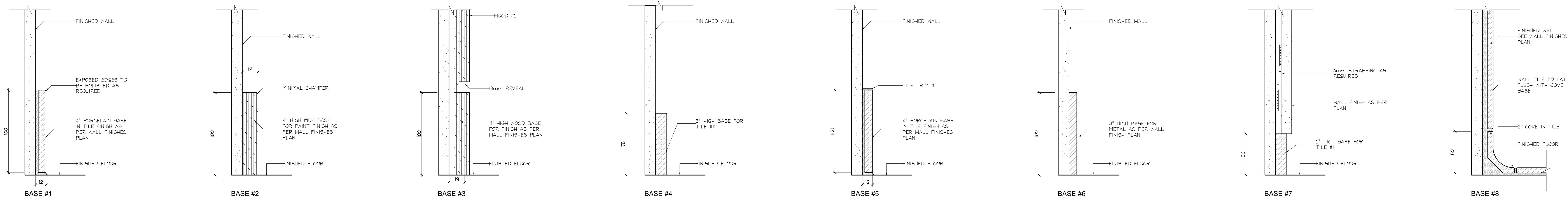


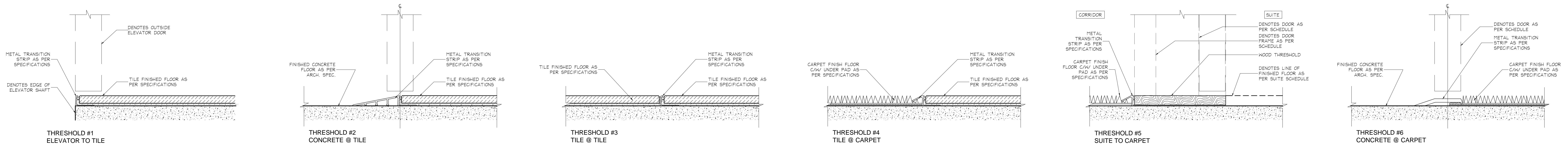
DO NOT SCALE DRAWINGS.

CONTRACTOR MUST VERIFY ALL DRAWINGS, DIMENSIONS, DETAILS AND SPECIFICATIONS, AND REPORT ANY DISCREPANCIES TO UNION 31 INC. BEFORE PROCEEDING WITH WORK. MATERIALS MAY NOT BE SUBSTITUTED WITHOUT WRITTEN APPROVAL FROM UNION 31 INC. ALL DRAWINGS AND SPECIFICATIONS ARE INSTRUMENTS OF SERVICE AND THE PROPERTY OF UNION 31 INC. WHICH MUST BE RETURNED AT THE COMPLETION OF THE WORK.

PRINTED: 20-Aug-15



1 BASE DETAILS
TYPICAL SCALE 1:2



THRESHOLD #1
ELEVATOR TO TILE

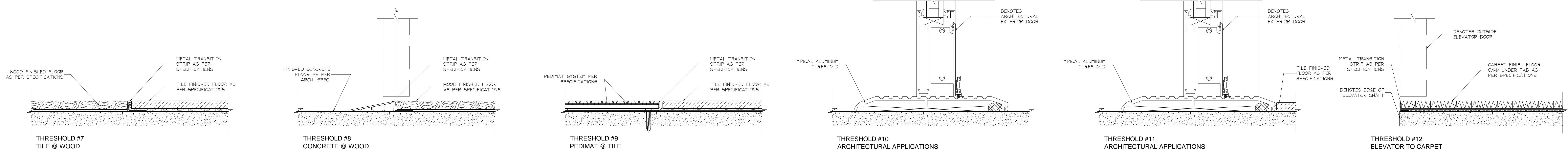
THRESHOLD #2
CONCRETE TO TILE

THRESHOLD #3
TILE @ TILE

THRESHOLD #4
TILE @ CARPET

THRESHOLD #5
SUITE TO CARPET

THRESHOLD #6
CONCRETE @ CARPET



THRESHOLD #7
TILE @ WOOD

THRESHOLD #8
CONCRETE @ WOOD

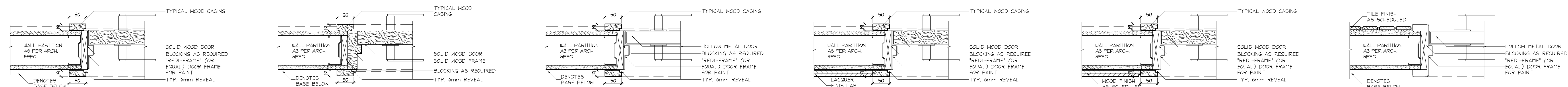
THRESHOLD #9
PEDIMAT @ TILE

THRESHOLD #10
ARCHITECTURAL APPLICATIONS

THRESHOLD #11
ARCHITECTURAL APPLICATIONS

THRESHOLD #12
ELEVATOR TO CARPET

2 THRESHOLD DETAILS
TYPICAL SCALE 1:2



3 TYP. CASING HORIZONTAL SECTION - DETAIL
SCALE 1:5

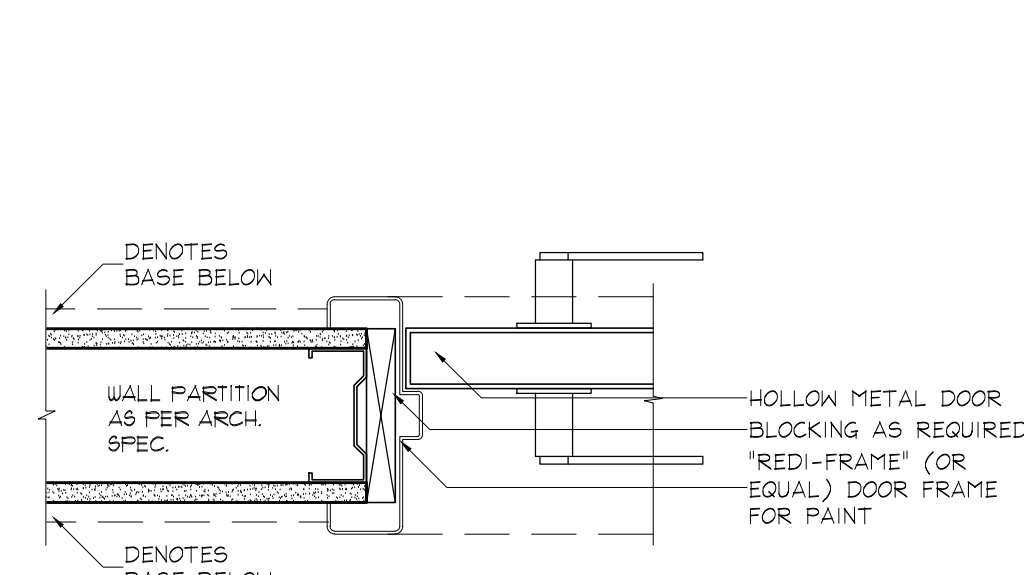
4 TYP. CASING HORIZONTAL SECTION - DETAIL
SCALE 1:5

5 TYP. CASING HORIZONTAL SECTION - DETAIL
SCALE 1:5

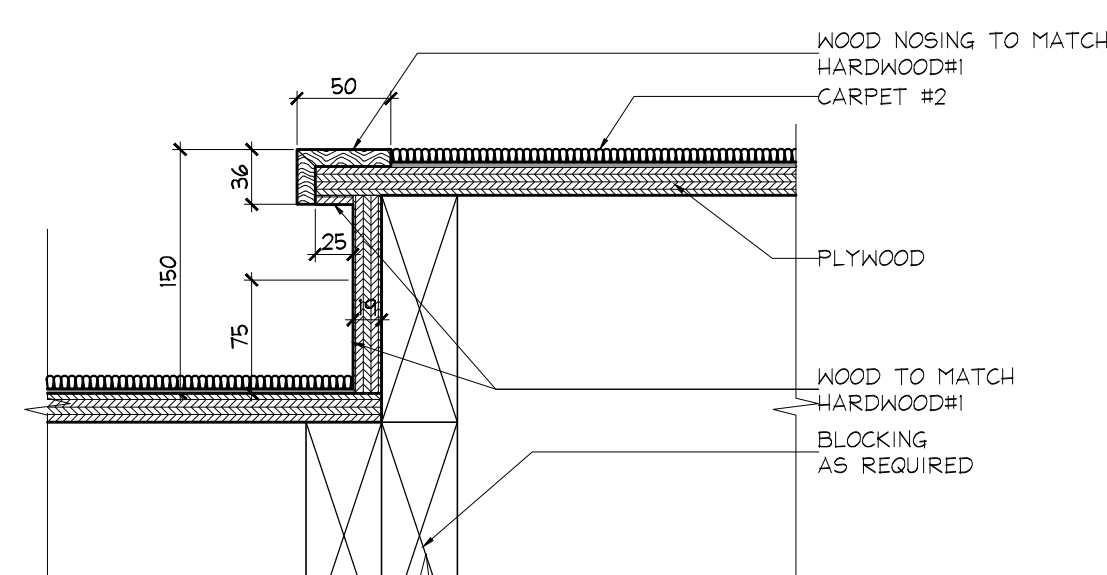
6 TYP. CASING @ TILE WALL HORIZONTAL SECTION - DETAIL
SCALE 1:5

7 TYP. CASING @ WOOD HORIZONTAL SECTION - DETAIL
SCALE 1:5

8 TYP. CASING @ TILE WALL HORIZONTAL SECTION - DETAIL
SCALE 1:5



9 TYP. CASING HORIZONTAL SECTION - DETAIL
SCALE 1:5



10 SECTION - STEP AMENITY - THEATRE ROOM GROUND FLOOR
SCALE 1:5

NO.	DATE	COMMENTS	INI
11	20 AUG / 15	ISSUED FOR DRYWALL TENDER	CB
10	15 JULY / 15	ISSUED FOR TRIM CARPENTRY TENDER	CB
09	16 JUNE / 15	ISSUED FOR FINISH CARPENTRY	CB
03	08 MAR / 15	ISSUED FOR TILE TENDER	AP
02	28 JAN / 15	ISSUED FOR TENDER	AP

UNION 31

UNION31 INC.
183 BATHURST STREET, STE. 201
TORONTO, ON, M5T 2R7, CANADA
TEL: 416-597-1576 FAX: 416-597-2139

PROJECT NAME: ALEXANDRA PARK MAIN BUILDING	
BLOCK 11 ON, Canada	
PROJECT NO.: 13-949	DRAWINGS: TYPICAL DETAILS BASES, THRESHOLDS & CASINGS
DATE STARTED: 07 AUG / 13	DRAWING NO.: ID
SCALE: AS NOTED	5.0.0
DRAWN BY: GG	
APPROVED BY: KC	