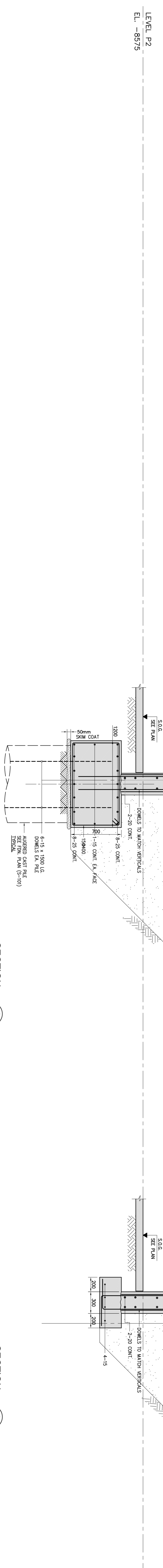
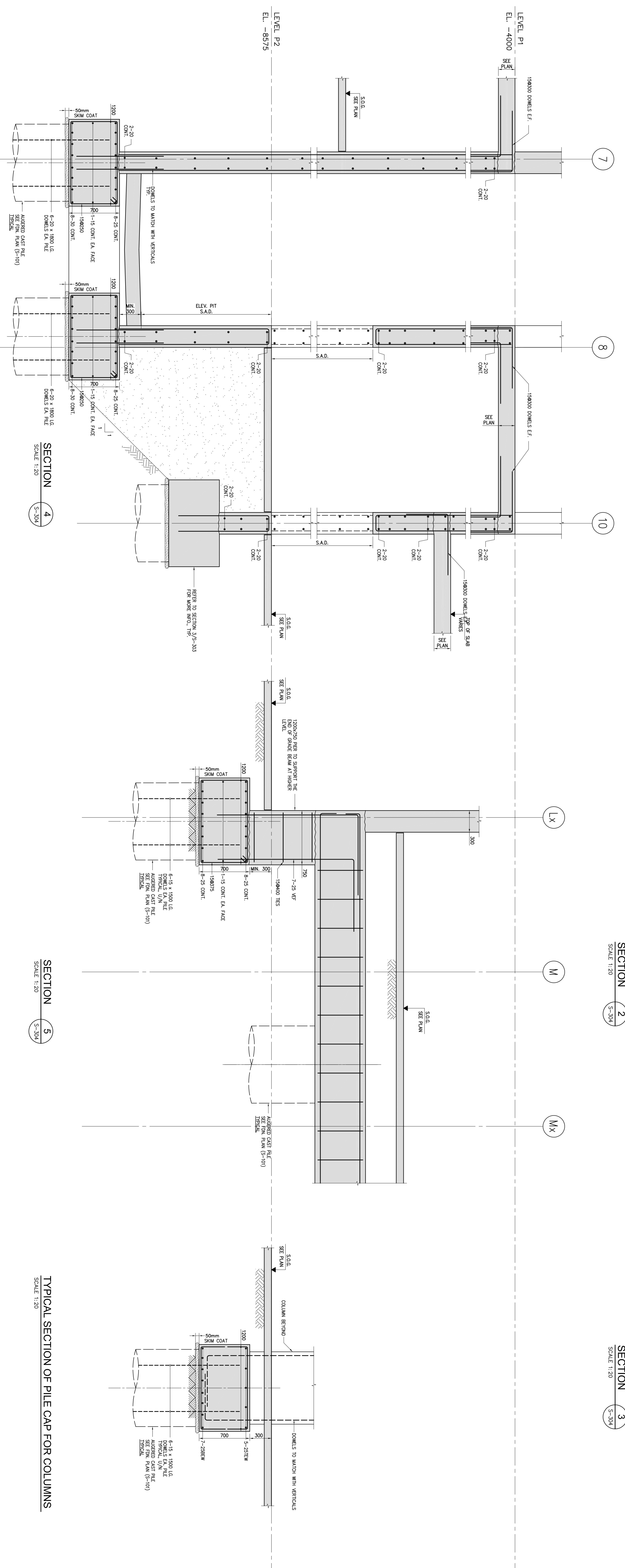


SECTION 1  
SCALE 1:20  
S-304



SECTION 2  
SCALE 1:20  
S-304

SECTION 3  
SCALE 1:20  
S-304



SECTION 4  
SCALE 1:20  
S-304

SECTION 5  
SCALE 1:20  
S-304

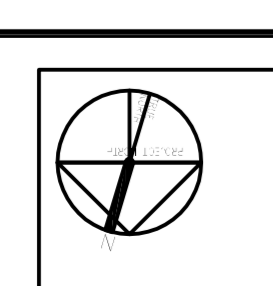
TYPICAL SECTION OF PILE CAP FOR COLUMNS  
SCALE 1:20

FIRST FLOOR ELEV. 8/3/08

| NO. | Issued / Revised      | BY  | CHKD |
|-----|-----------------------|-----|------|
| 1   | ISSUED FOR PERMIT     | AS/ | AS/  |
| 2   | REVISION FOR COMMENTS | AS/ | AS/  |
| 3   | REVISION FOR COMMENTS | AS/ | AS/  |
| 4   | REVISION FOR COMMENTS | AS/ | AS/  |
| 5   | REVISION FOR COMMENTS | AS/ | AS/  |
| 6   | REVISION FOR COMMENTS | AS/ | AS/  |
| 7   | REVISION FOR COMMENTS | AS/ | AS/  |
| 8   | REVISION FOR COMMENTS | AS/ | AS/  |
| 9   | REVISION FOR COMMENTS | AS/ | AS/  |
| 10  | REVISION FOR COMMENTS | AS/ | AS/  |

**Joblonsky, Asl and Partners ENGINEERS**  
 1500 SHEPPARD AVENUE EAST, SUITE 202  
 SCARBOROUGH, ONTARIO M1S 1T2  
 TEL: 416-441-2777  
 FAX: 416-441-2778  
 E-MAIL: info@joblonsky.com

**P.F. Asl**  
 1500 SHEPPARD AVENUE EAST, SUITE 202  
 SCARBOROUGH, ONTARIO M1S 1T2  
 TEL: 416-441-2777  
 FAX: 416-441-2778  
 E-MAIL: info@joblonsky.com



**ALEXANDRA PARK - BLOCK 11**  
 TORONTO, ONTARIO

DATE: 11/20  
 DRAWN BY: H.W. KAWA  
 CHECKED BY: MARCH 2014