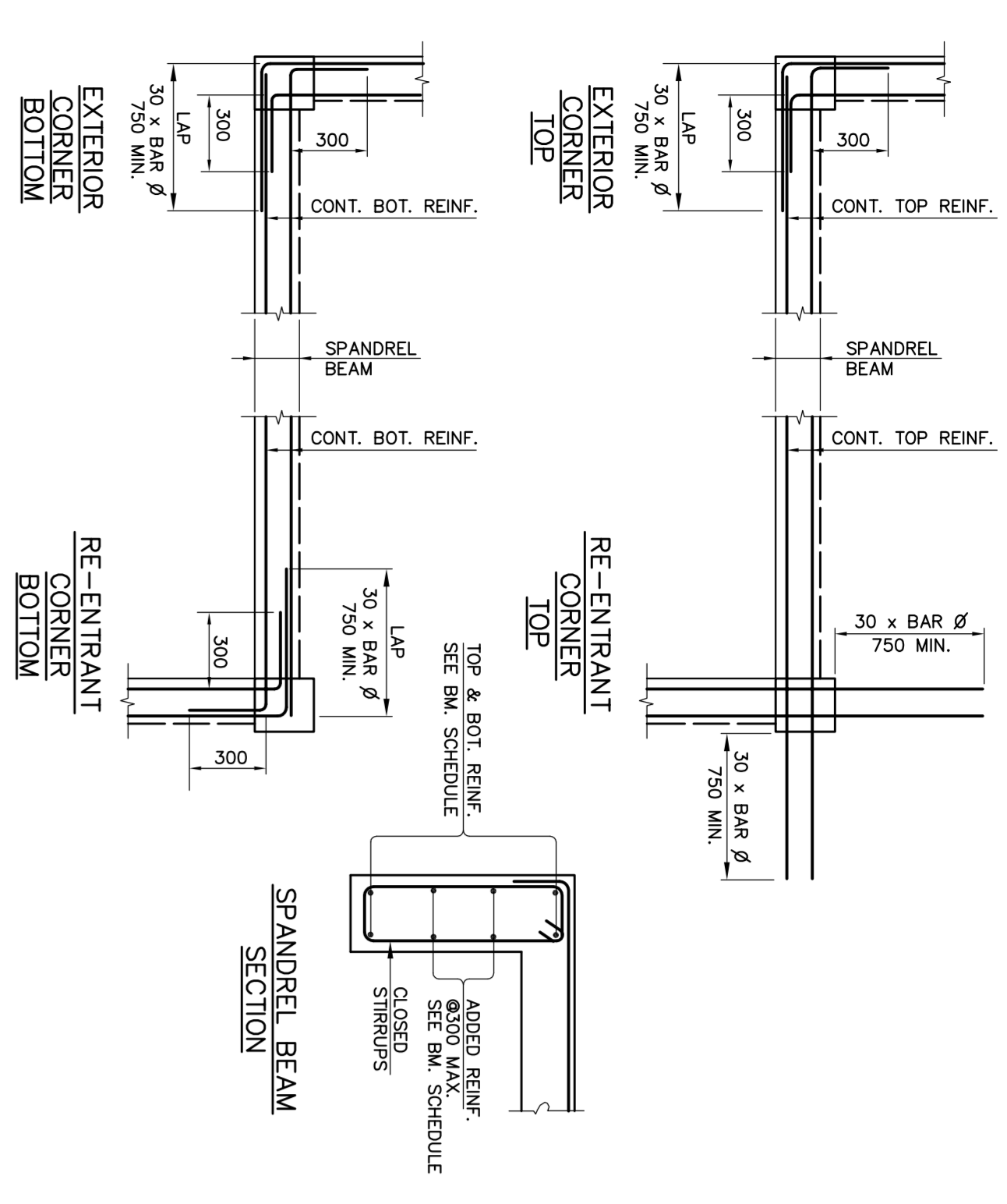
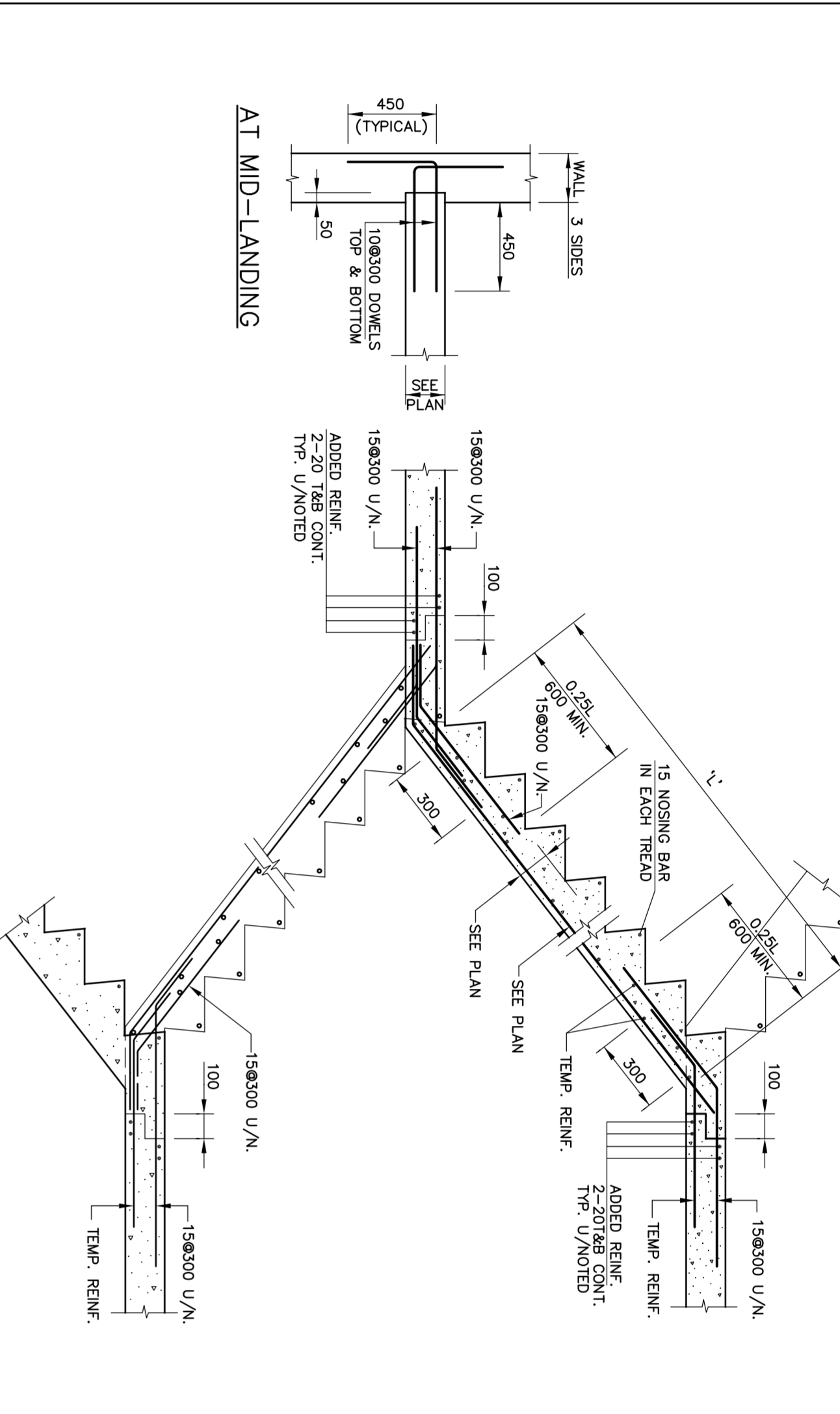


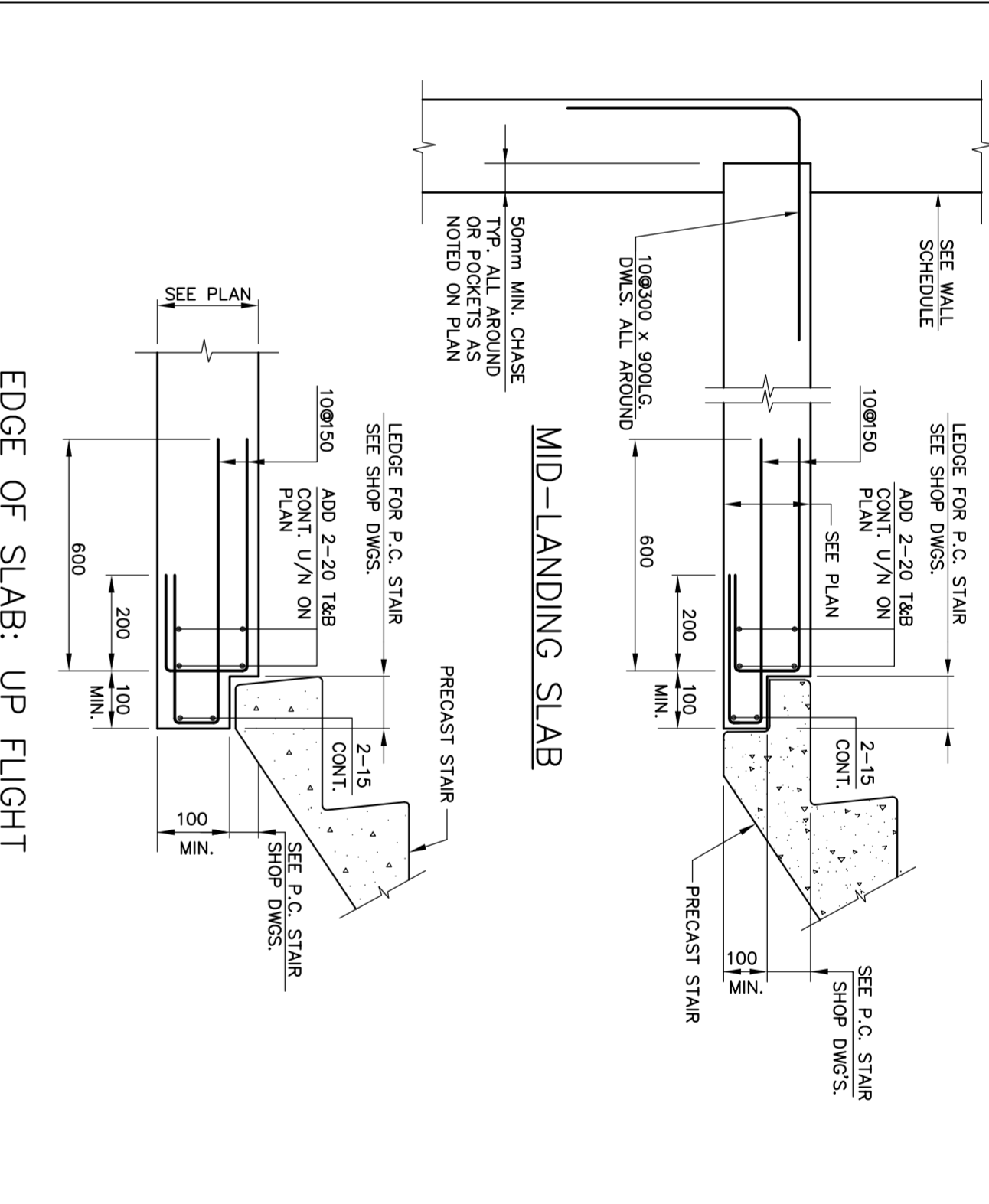
601 TYPICAL ARRANGEMENT OF SPANDREL BEAMS REINF.



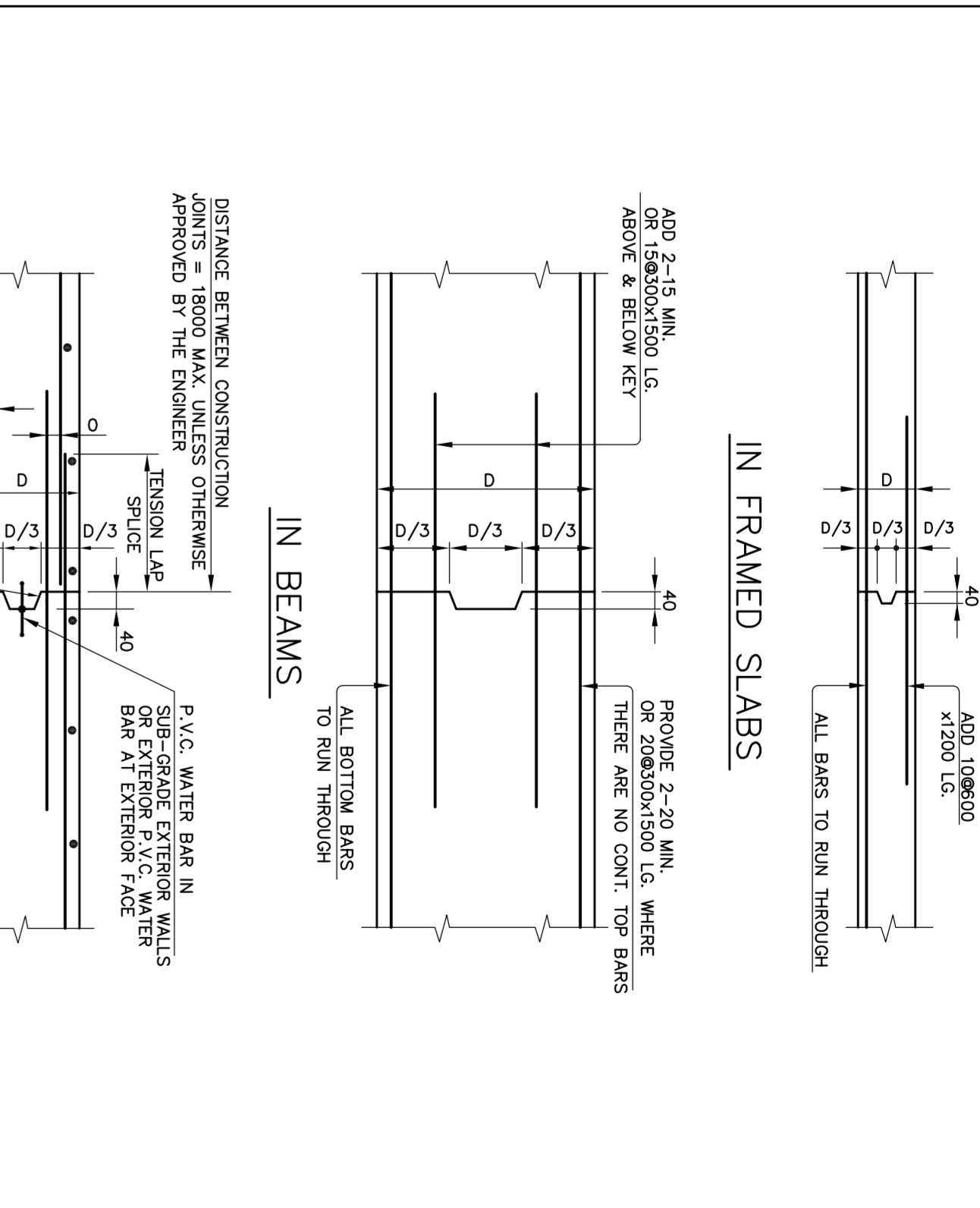
700 TYPICAL CONCRETE STAIRS DETAILS



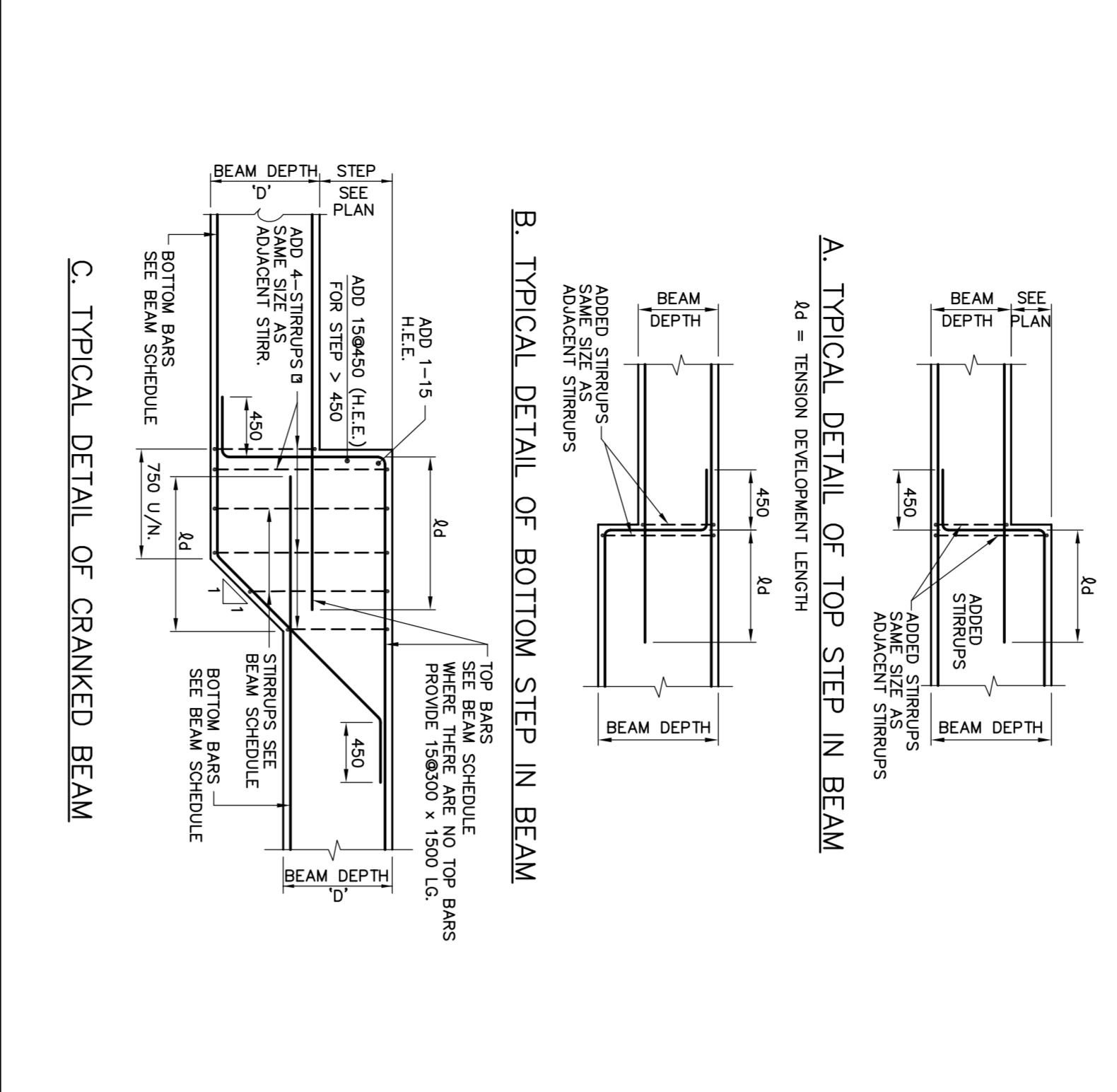
702 TYPICAL PRECAST STAIRS DETAILS



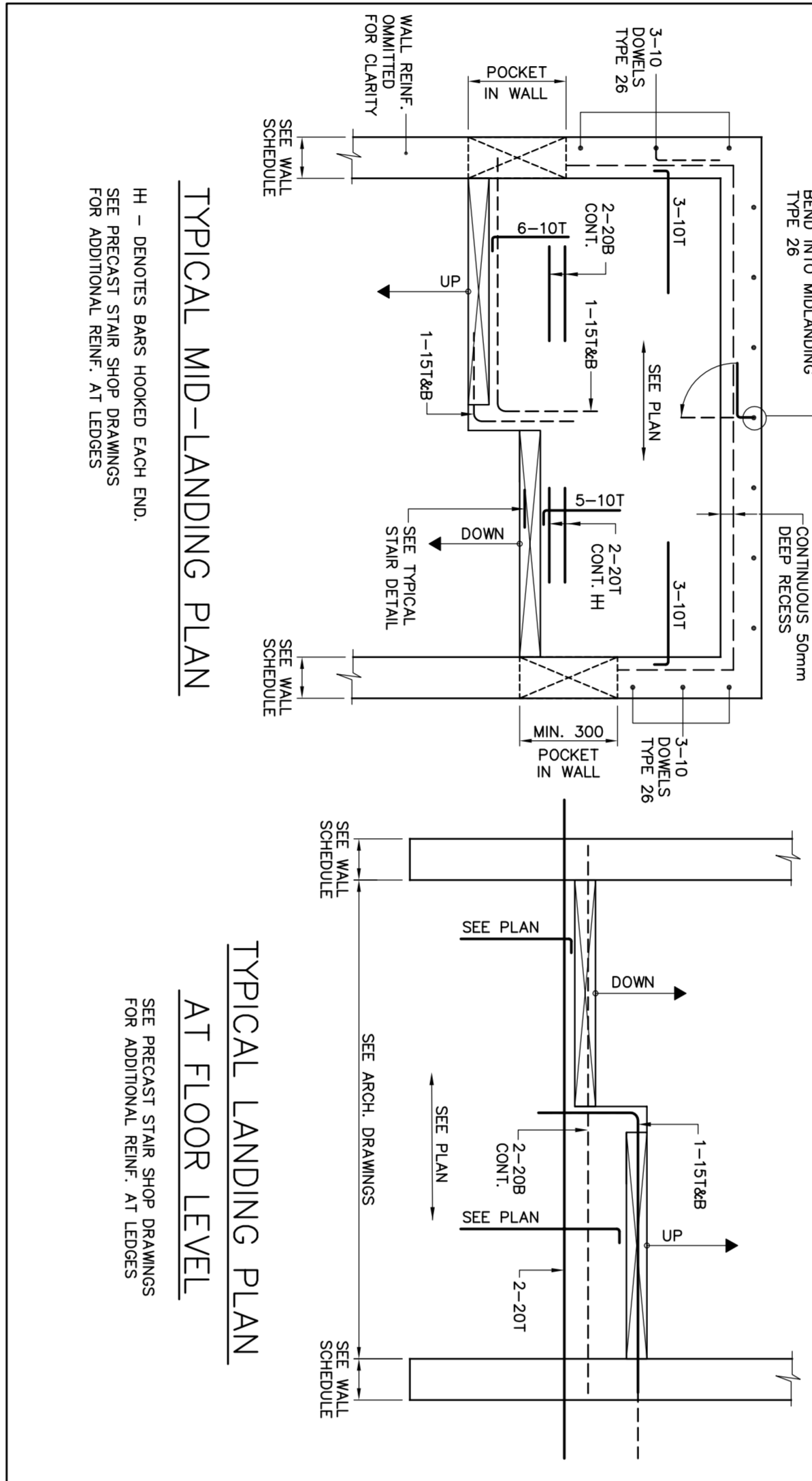
800 TYPICAL CONSTRUCTION JOINTS DETAILS



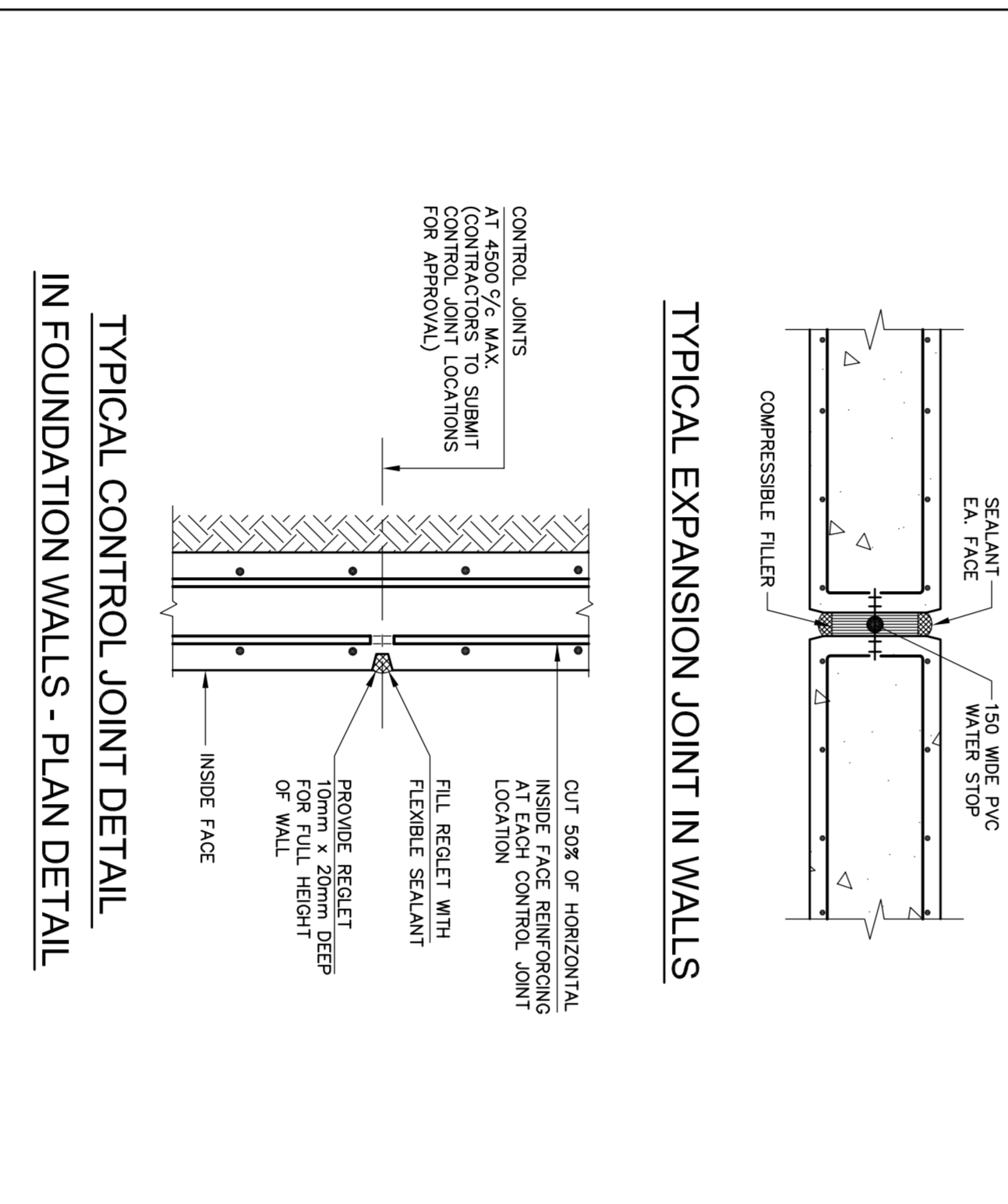
602 TYPICAL DETAILS OF STEPPED/CRANKED BEAMS



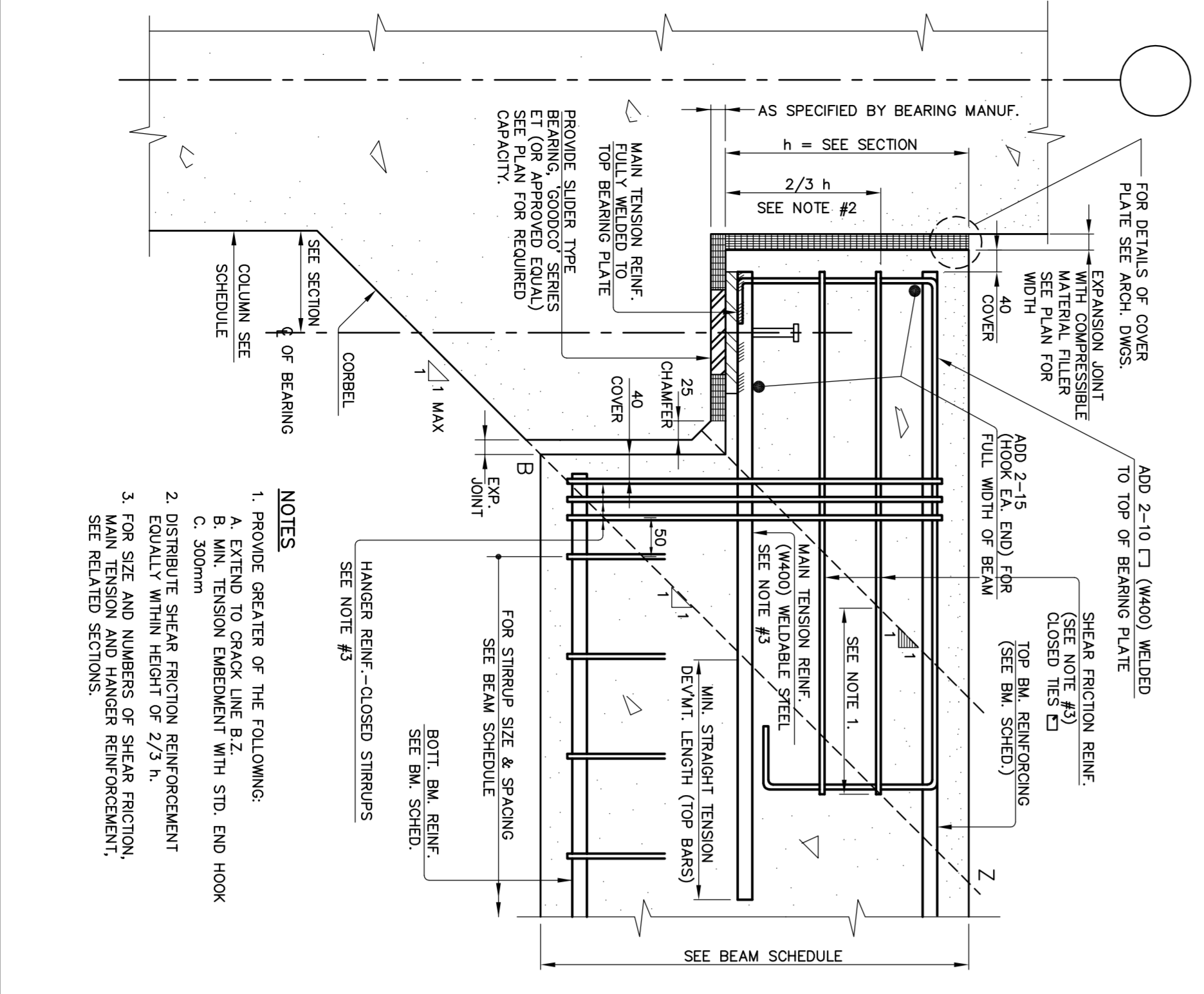
701 TYPICAL LANDING PLANS FOR PRECAST STAIRS



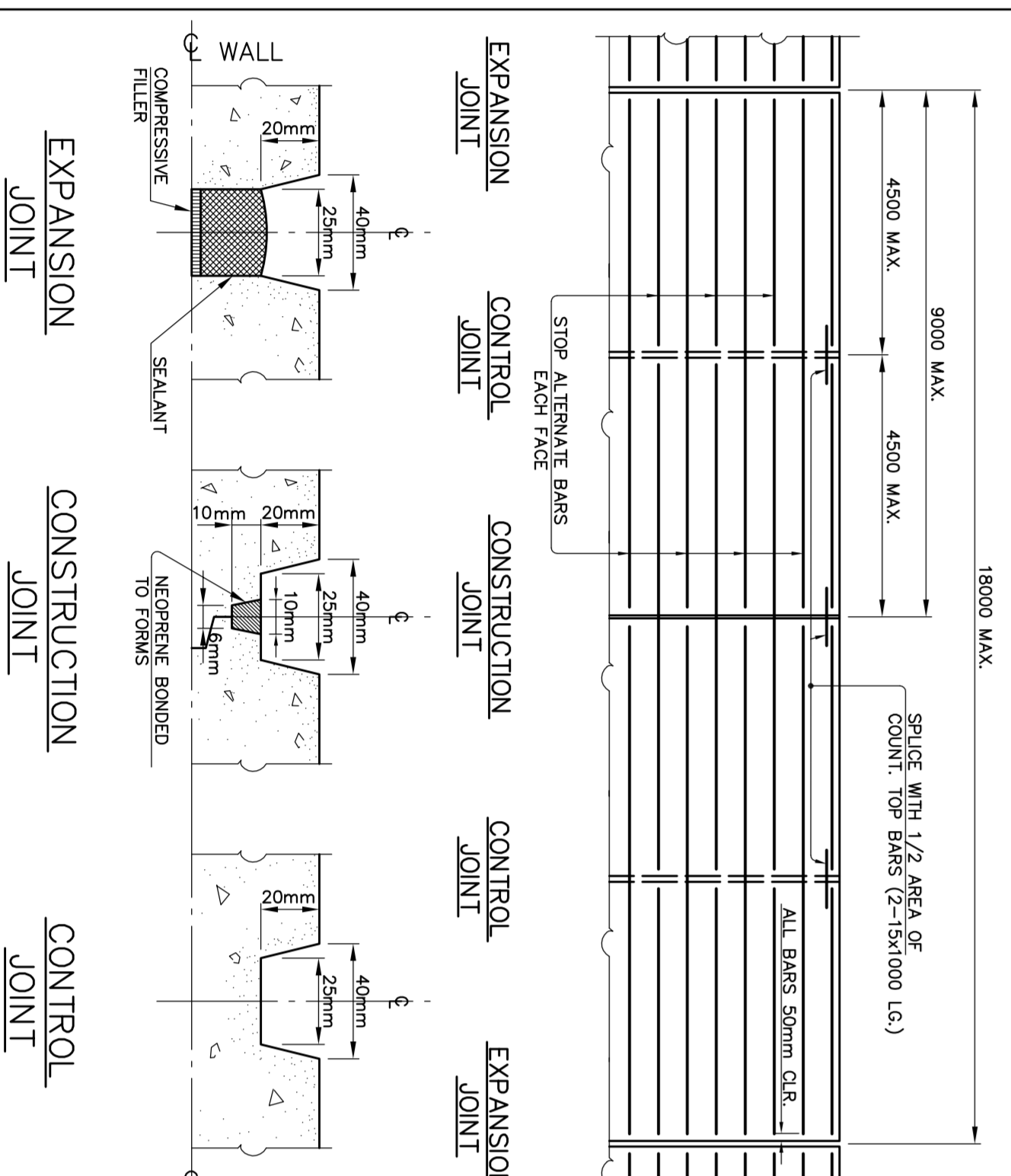
803 TYPICAL EXPANSION & CONTROL JOINTS IN WALLS



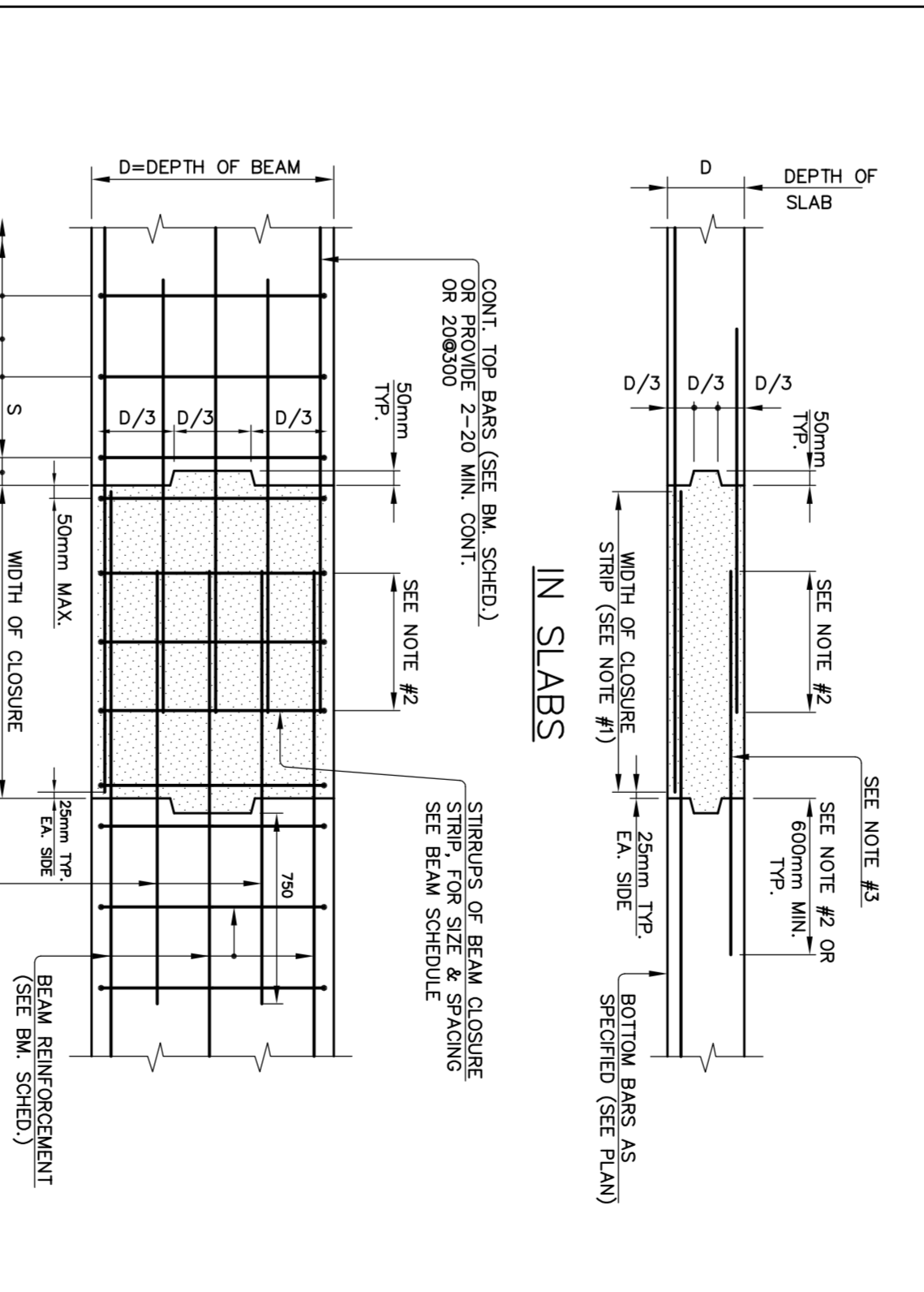
603 TYPICAL DETAILS OF DAPPED-END BEAMS



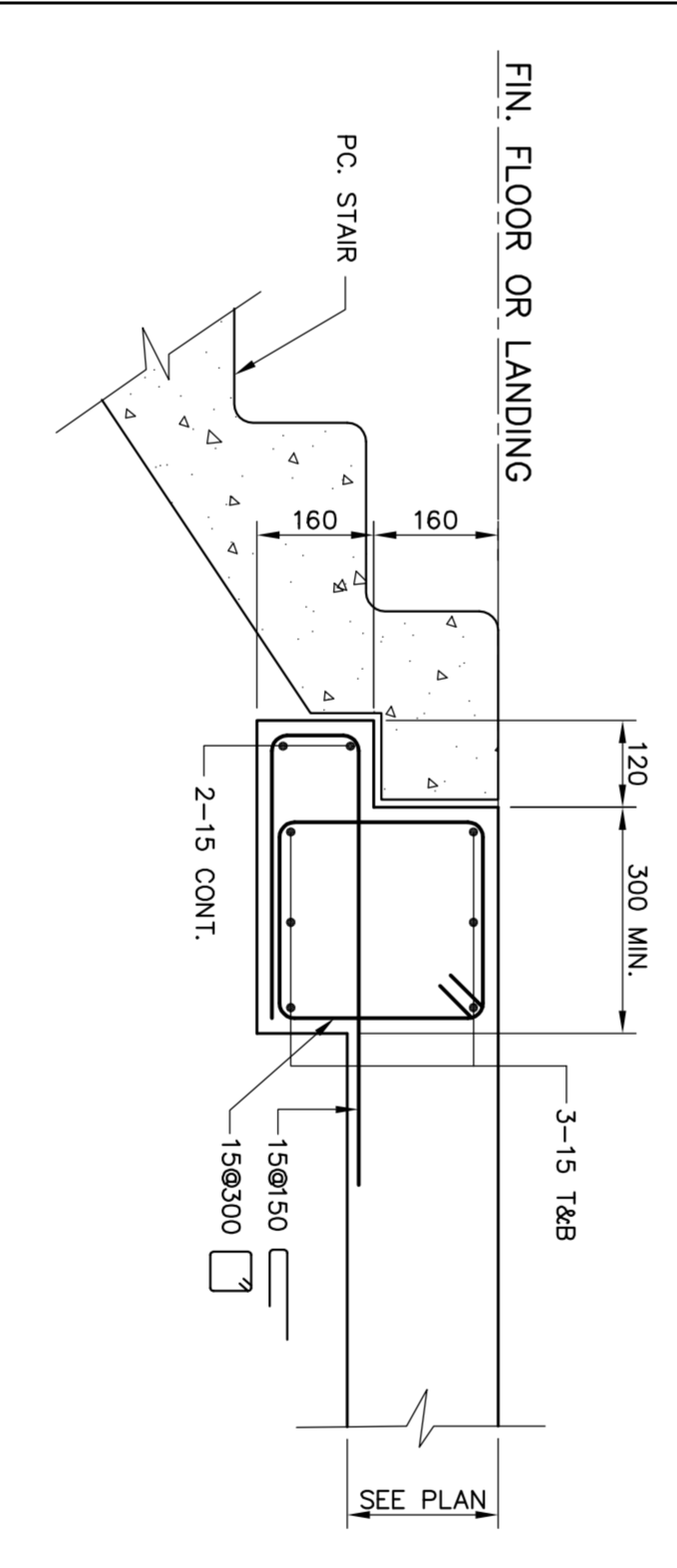
804 TYPICAL JOINTS IN PARAPET WALLS



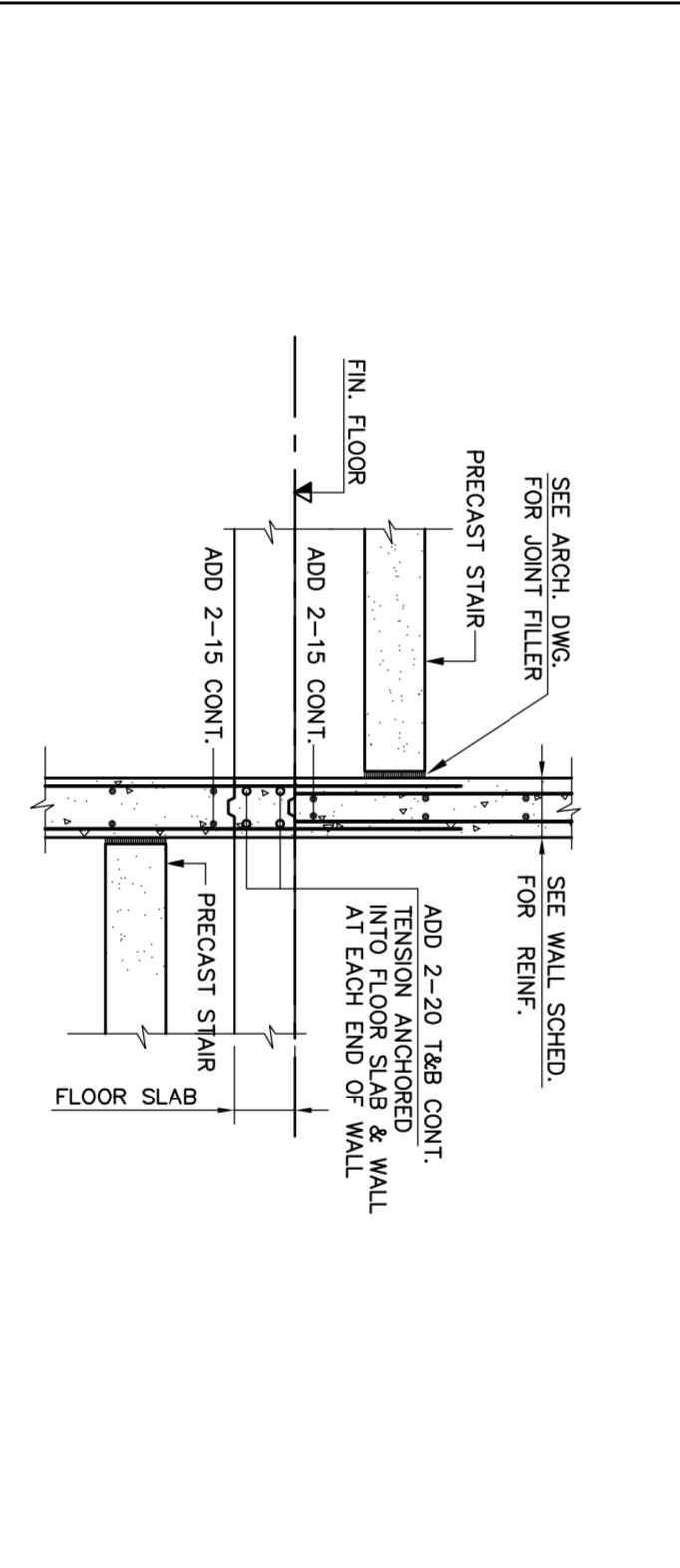
801 TYPICAL CLOSURE STRIPS DETAILS



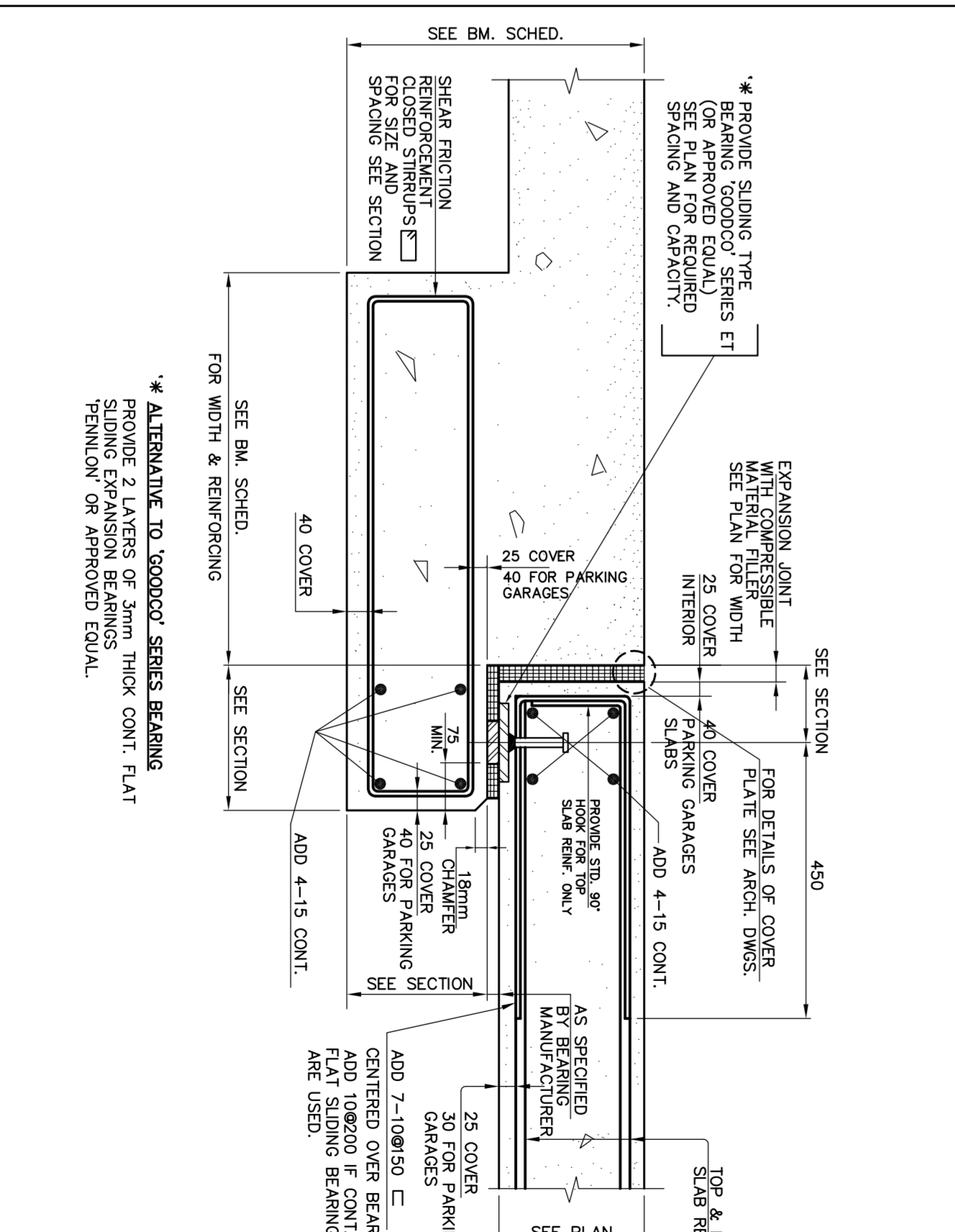
703 TYPICAL EDGE OF SLAB DETAIL FOR PRECAST STAIR RISERS & MORE



704 TYPICAL MID-WALL DETAIL AT "SCISSOR" STAIRS

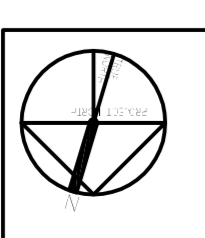


802 TYPICAL DETAIL OF CONT. LEDGE SUPPORTING SLAB



NO.	REVISION	DATE
1	ISSUED FOR PERMIT	2014
2	REVISED FOR COMMENTS	2014
3	REVISED FOR COMMENTS	2014
4	REVISED FOR COMMENTS	2014
5	REVISED FOR COMMENTS	2014
6	REVISED FOR COMMENTS	2014
7	REVISED FOR COMMENTS	2014
8	REVISED FOR COMMENTS	2014
9	REVISED FOR COMMENTS	2014
10	REVISED FOR COMMENTS	2014

**Joblonsky, Asif**  
**and Partners**  
**ENGINEERS**  
 1000 SHEPPARD AVENUE EAST  
 SUITE 1000  
 SCARBOROUGH, ONTARIO M1B 2Y3  
 TEL: 416-444-2777  
 FAX: 416-444-2777  
 E-MAIL: info@joblonsky.com



**ALEXANDRA PARK - BLOCK 11**  
 TORONTO, ONTARIO

DATE: 14/11/14  
 DRAWN BY: K.M. MAHAJAN  
 CHECKED BY: M. MAHAJAN  
 DATE ISSUED: MARCH 2014