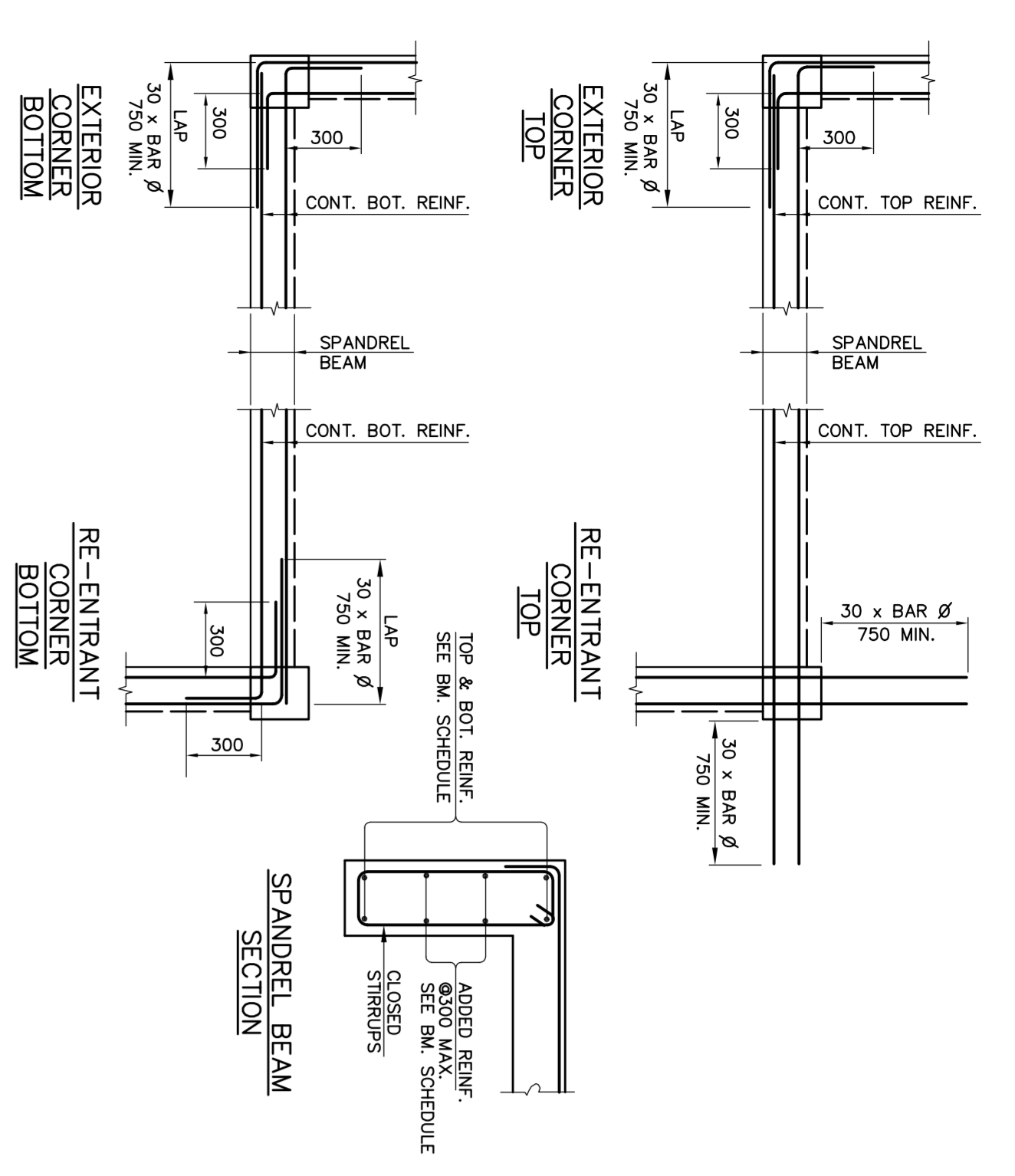
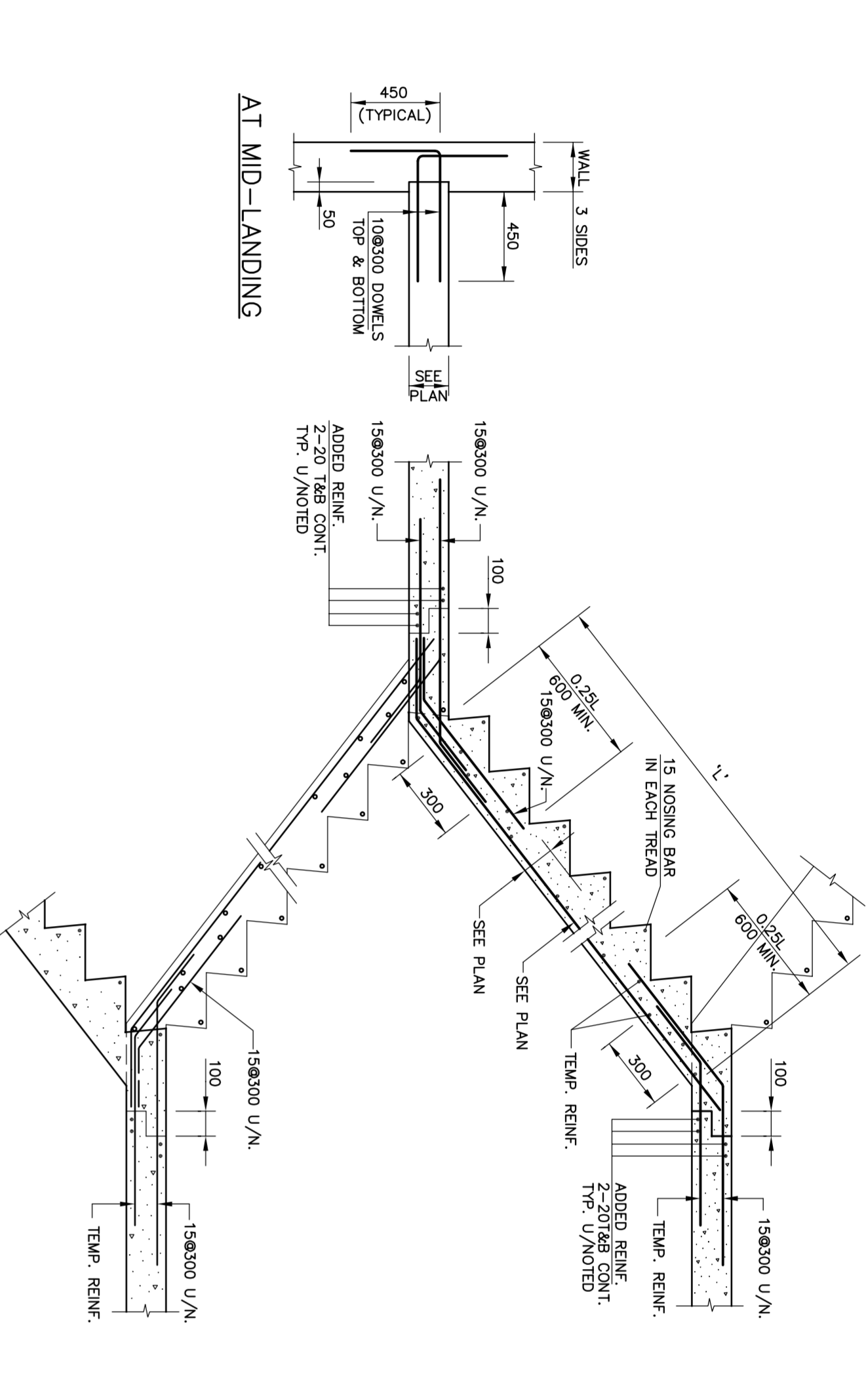


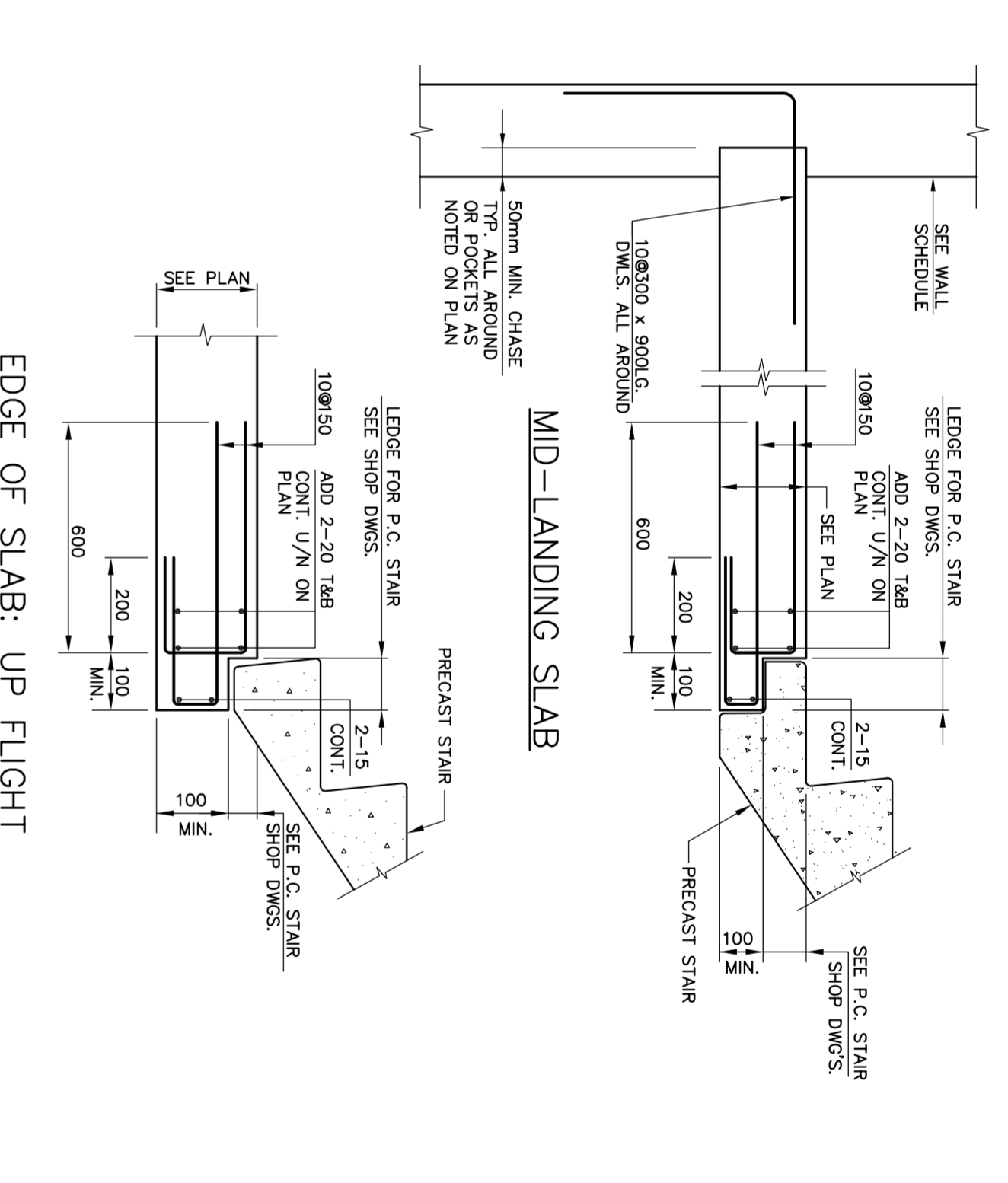
601 TYPICAL ARRANGEMENT OF SPANDREL BEAMS REINF.



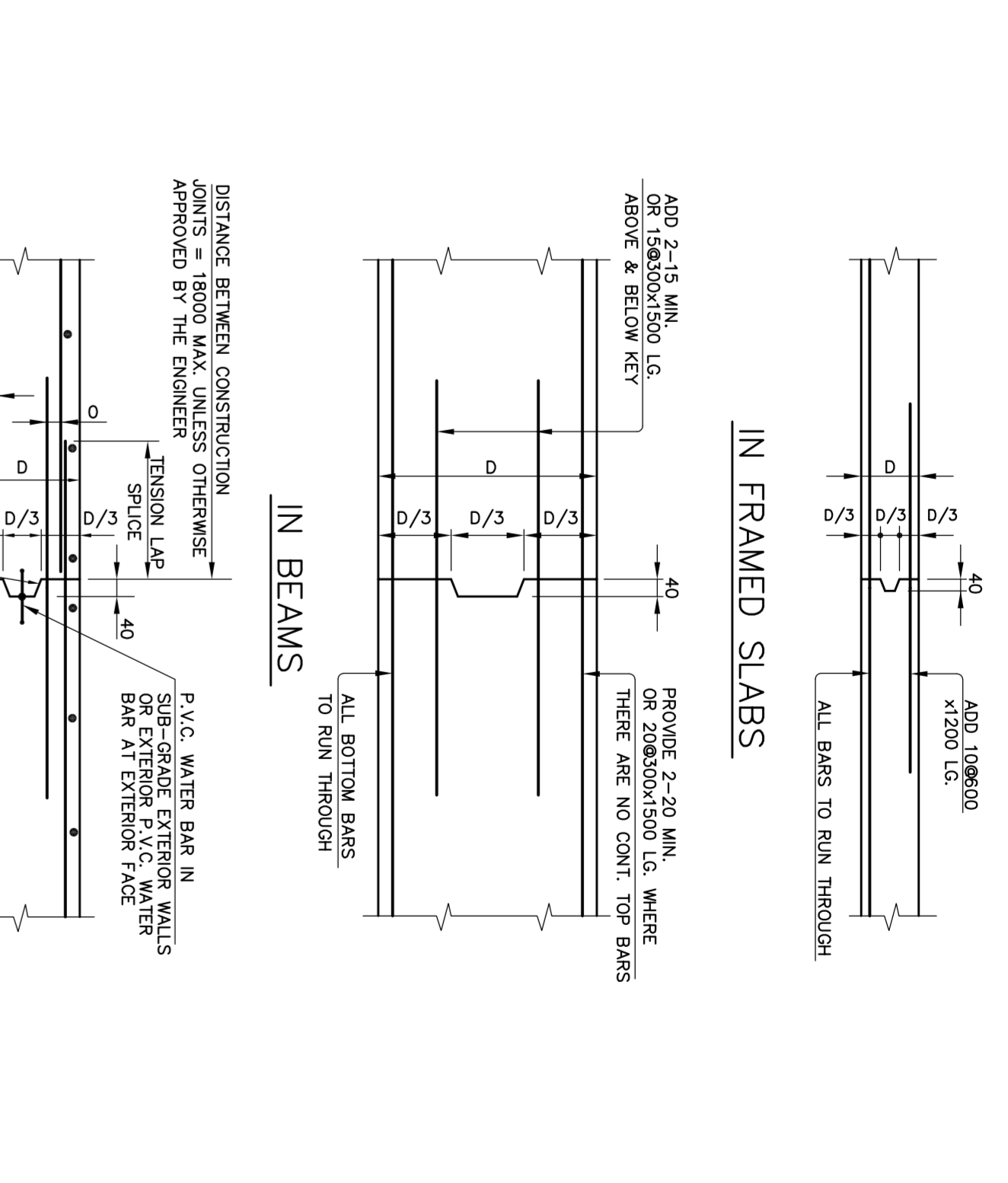
700 TYPICAL CONCRETE STAIRS DETAILS



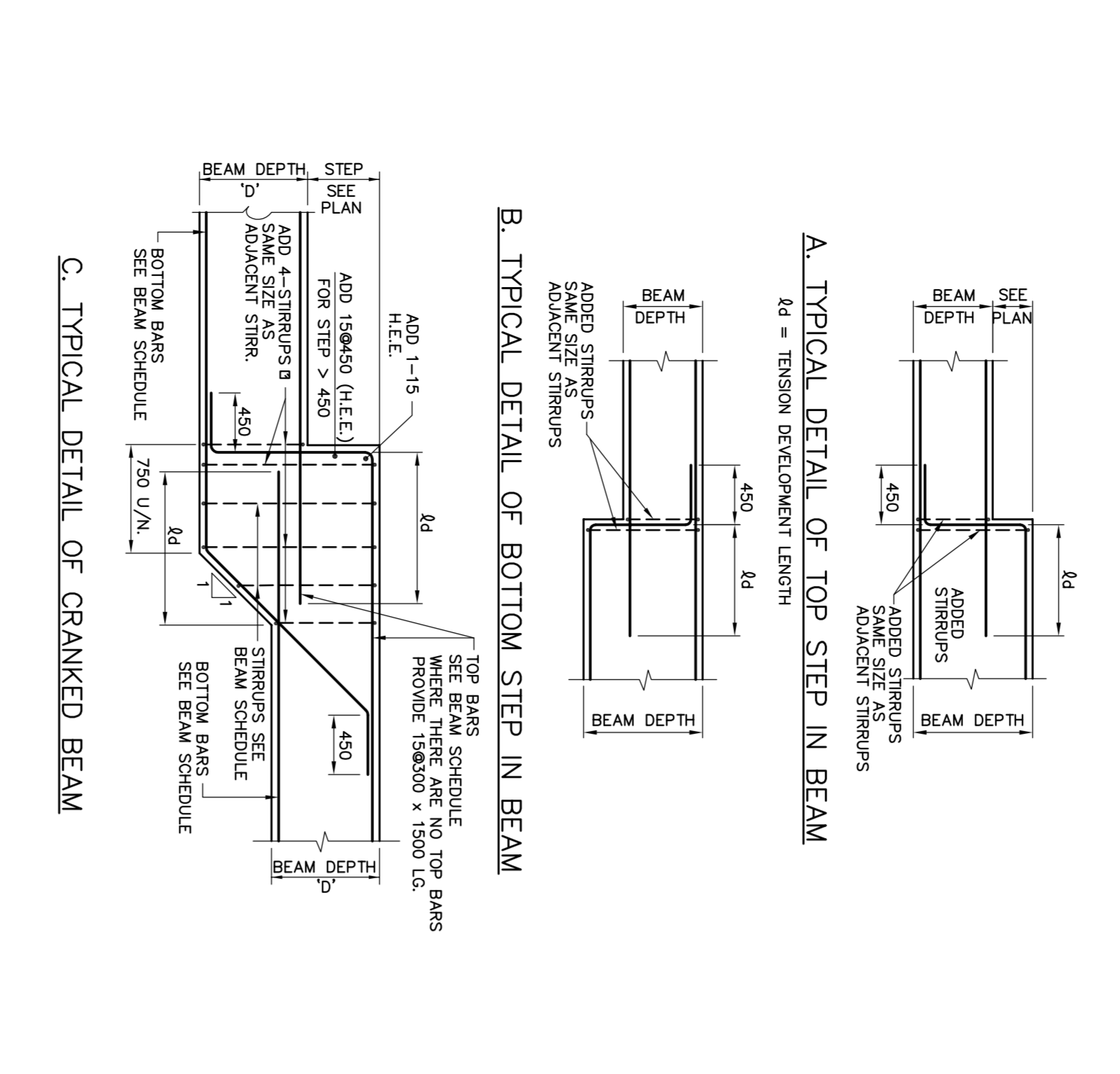
702 TYPICAL PRECAST STAIRS DETAILS



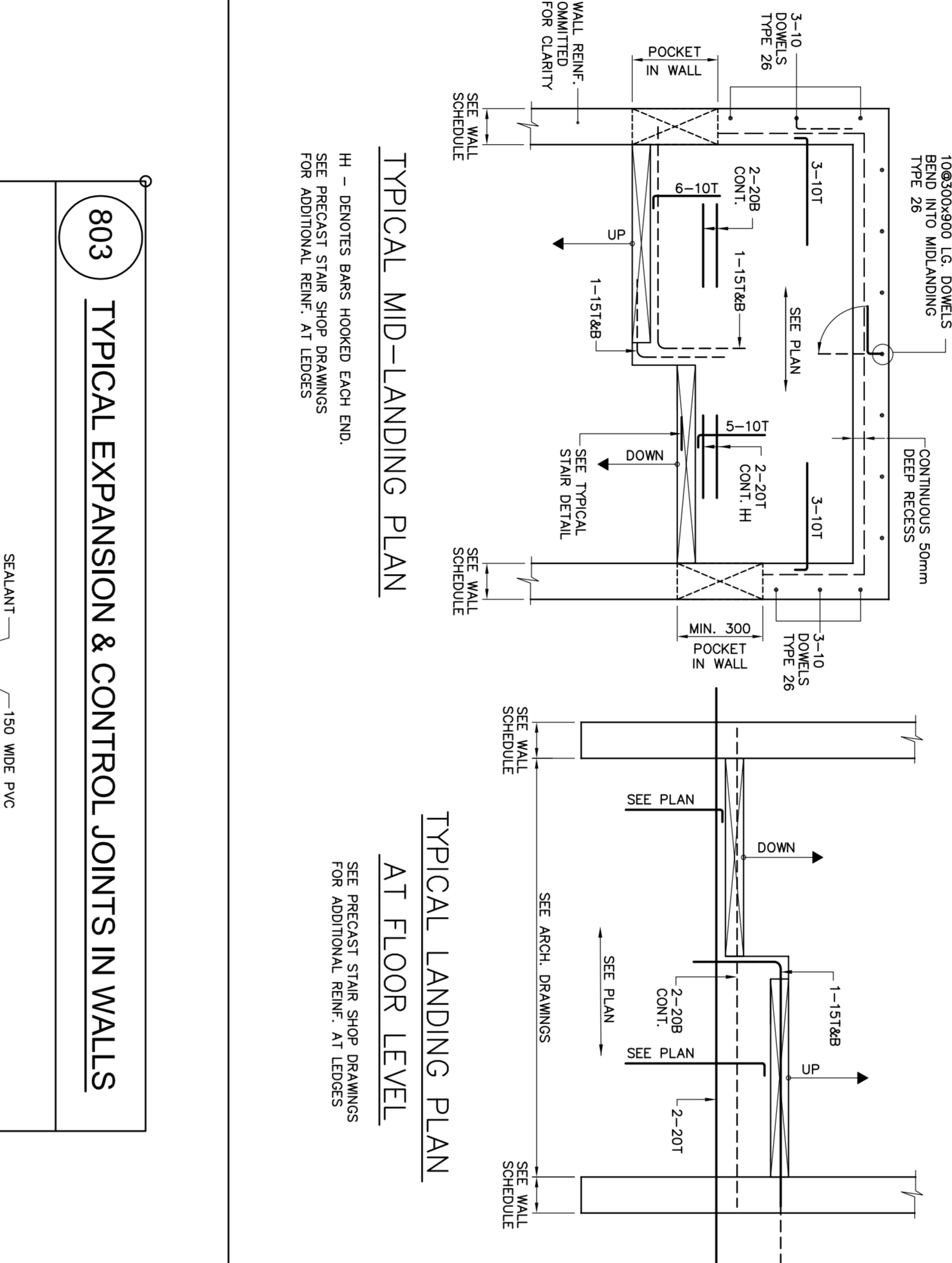
800 TYPICAL CONSTRUCTION JOINTS DETAILS



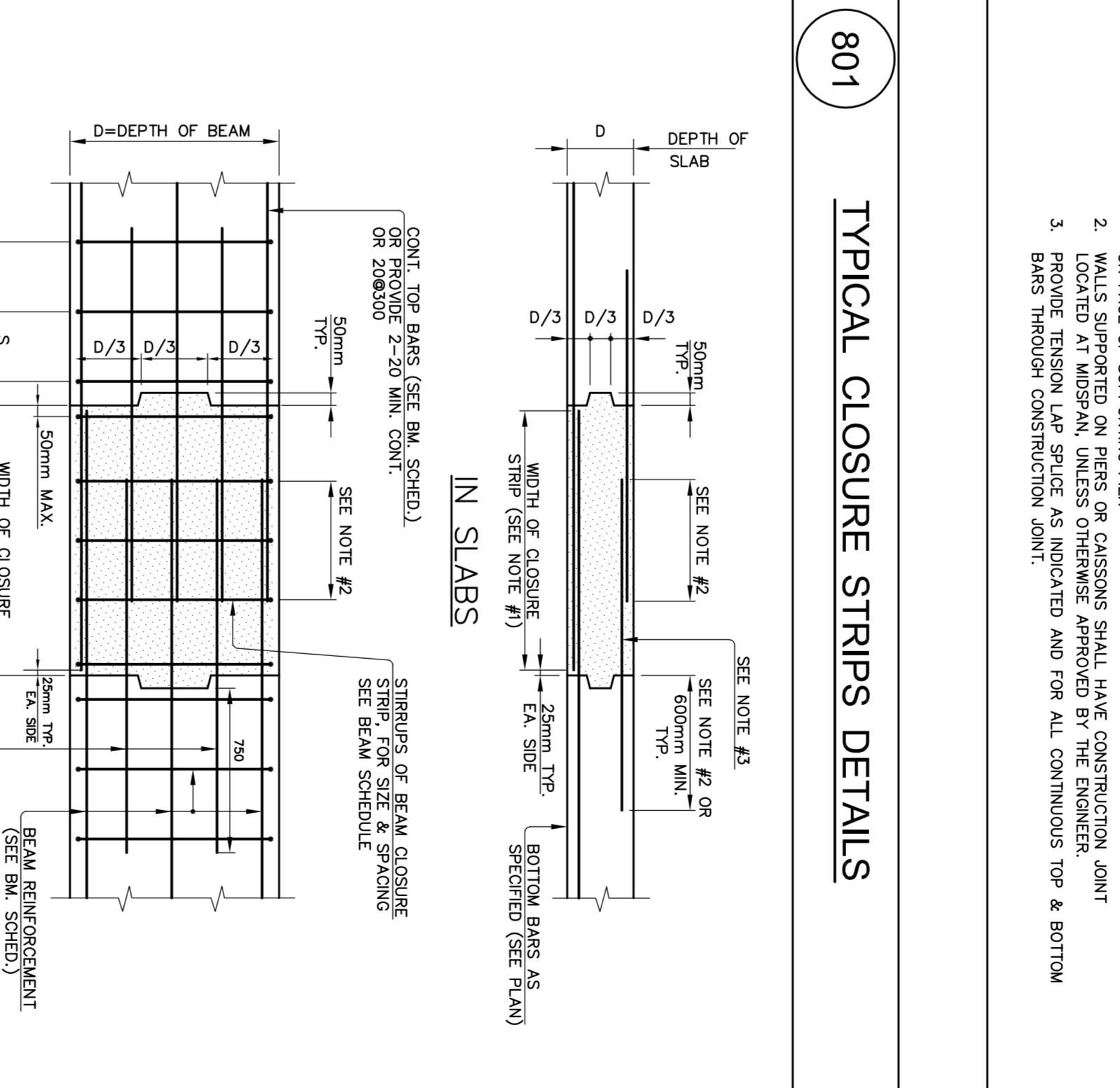
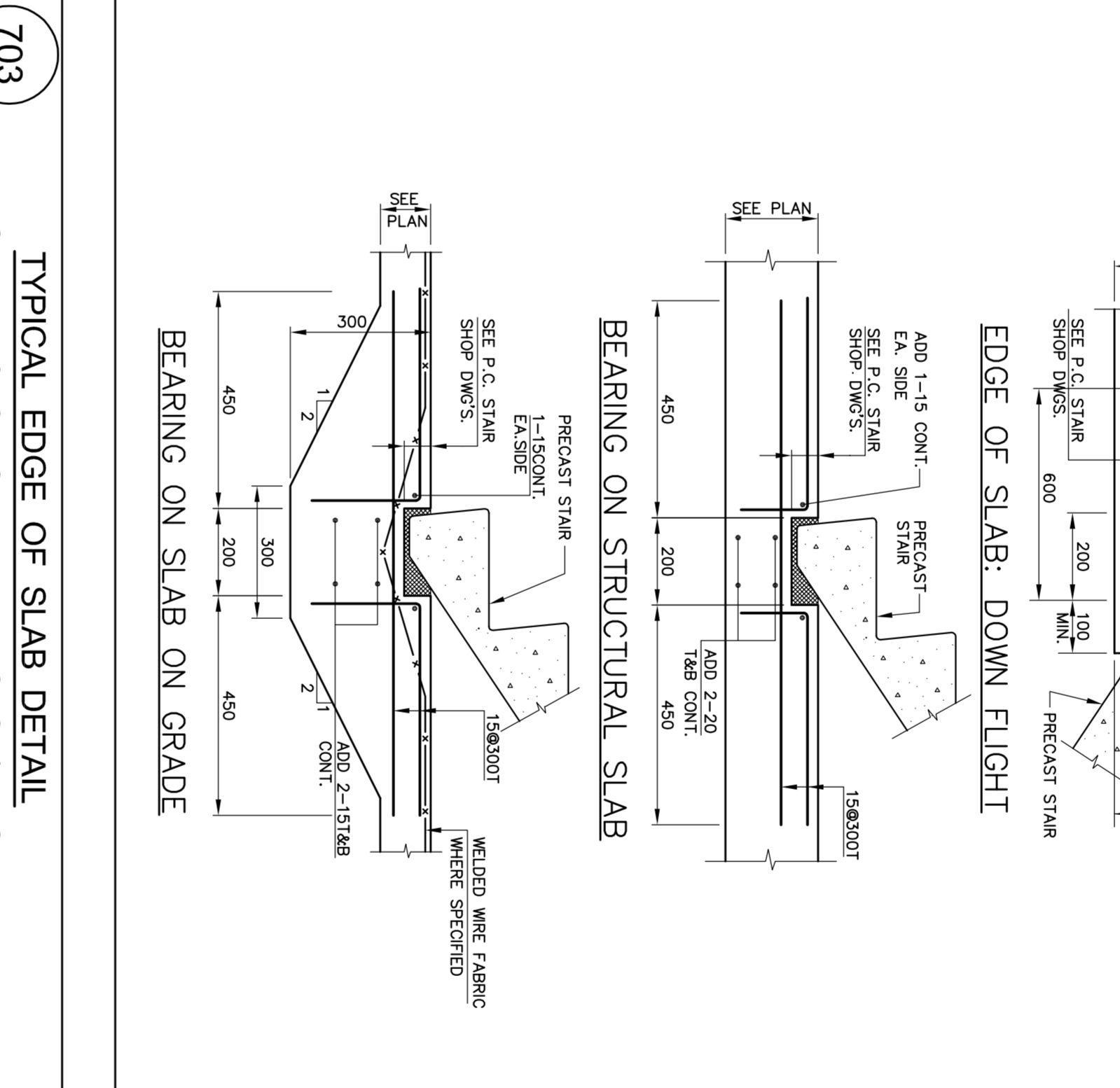
602 TYPICAL DETAILS OF STEPPED/CRANKED BEAMS



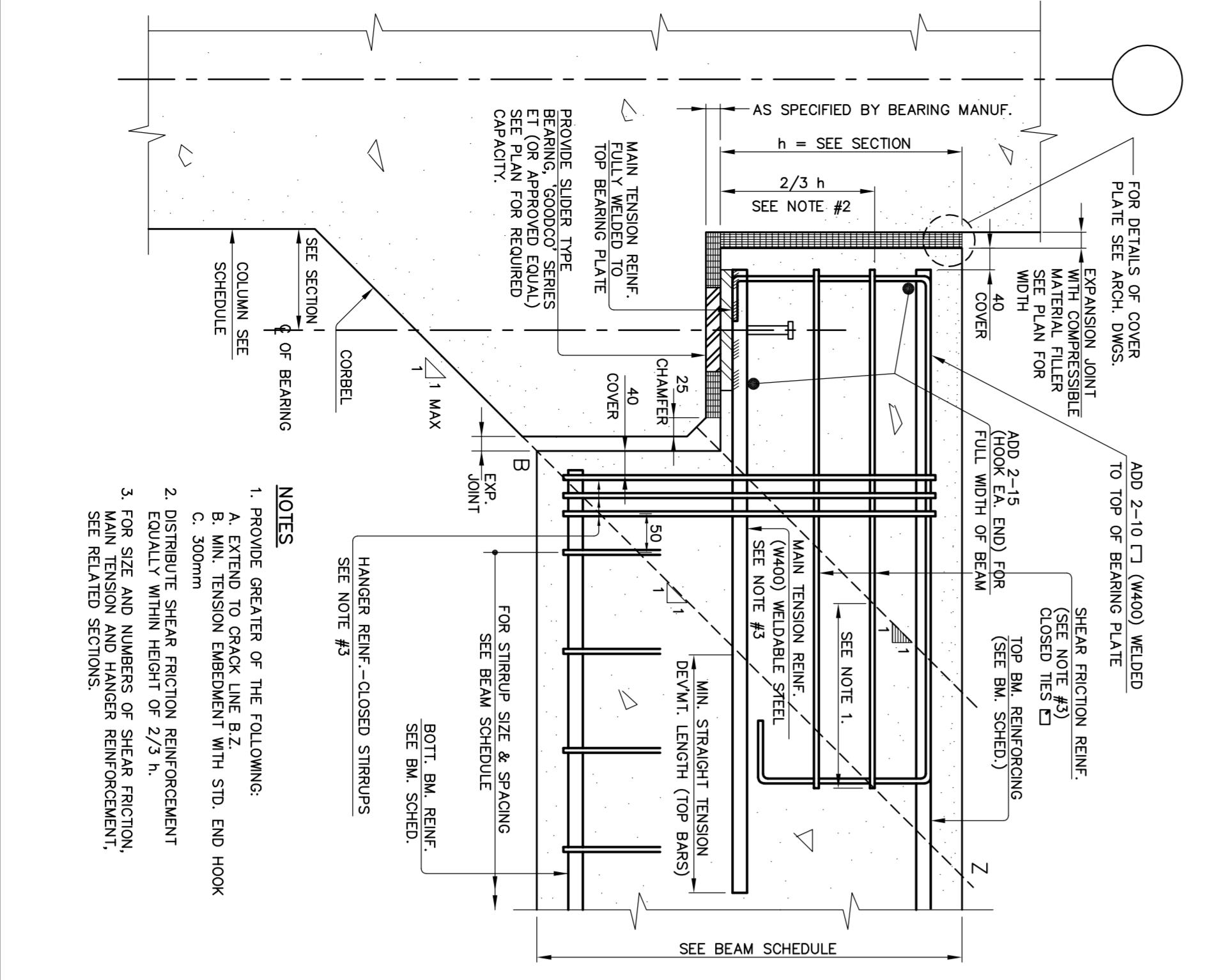
701 TYPICAL LANDING PLANS FOR PRECAST STAIRS



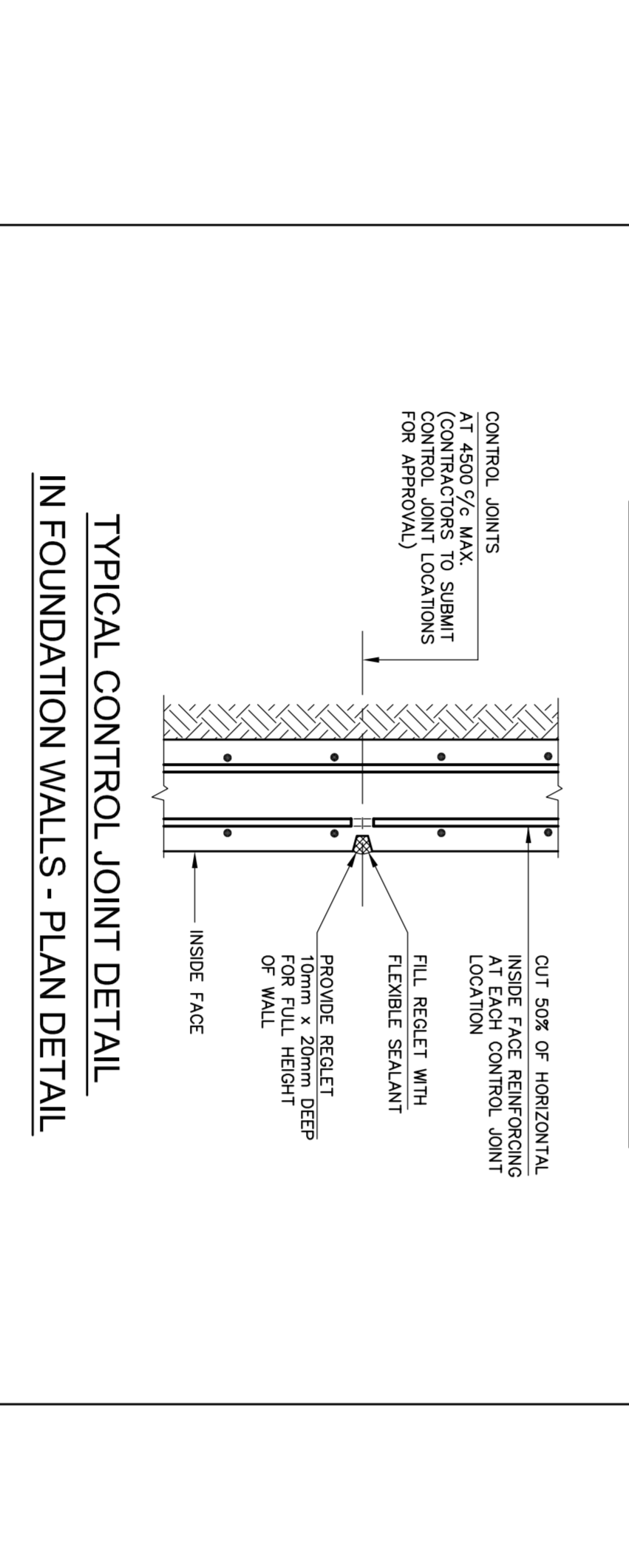
801 TYPICAL CLOSURE STRIPS DETAILS



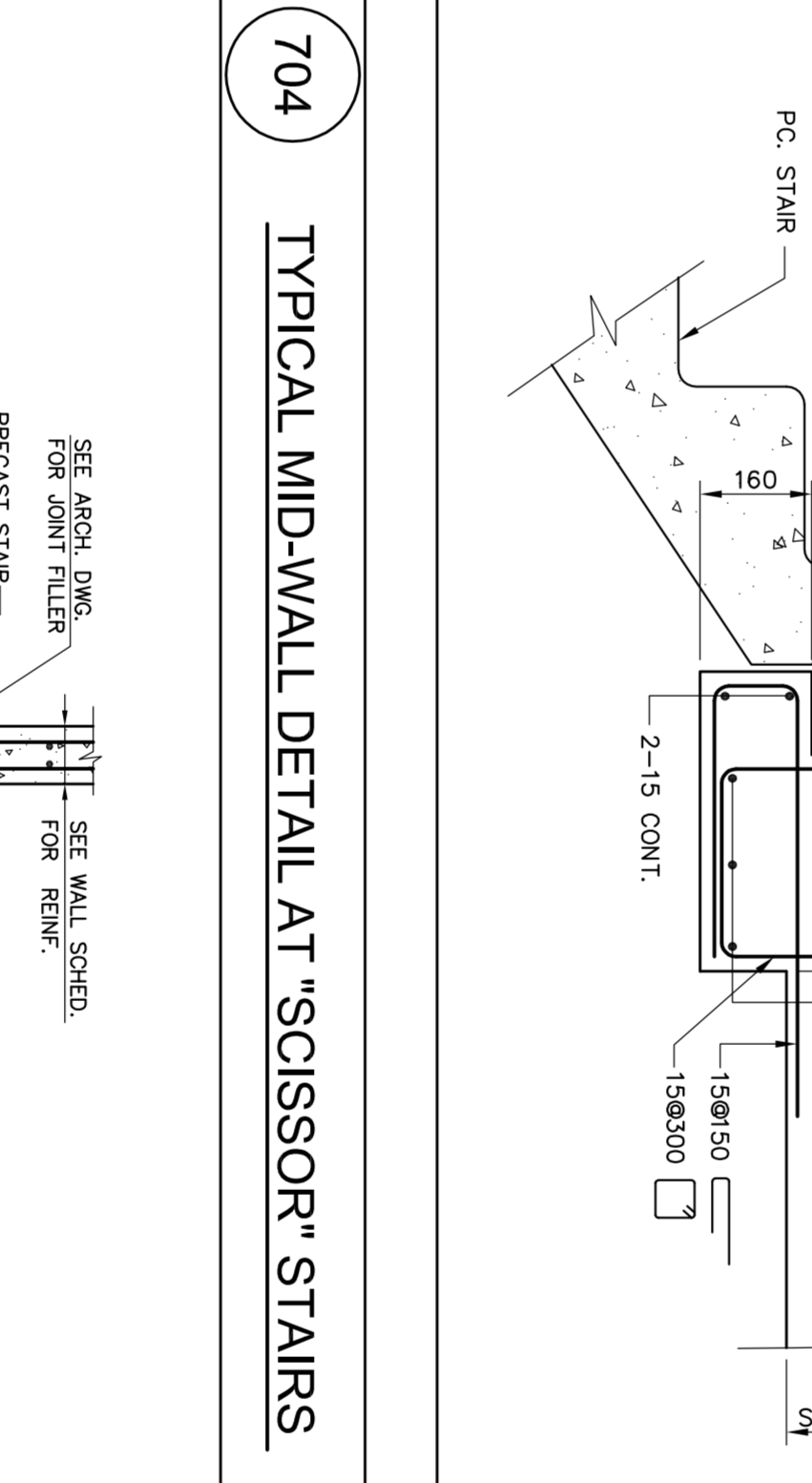
603 TYPICAL DETAILS OF DAPPED-END BEAMS



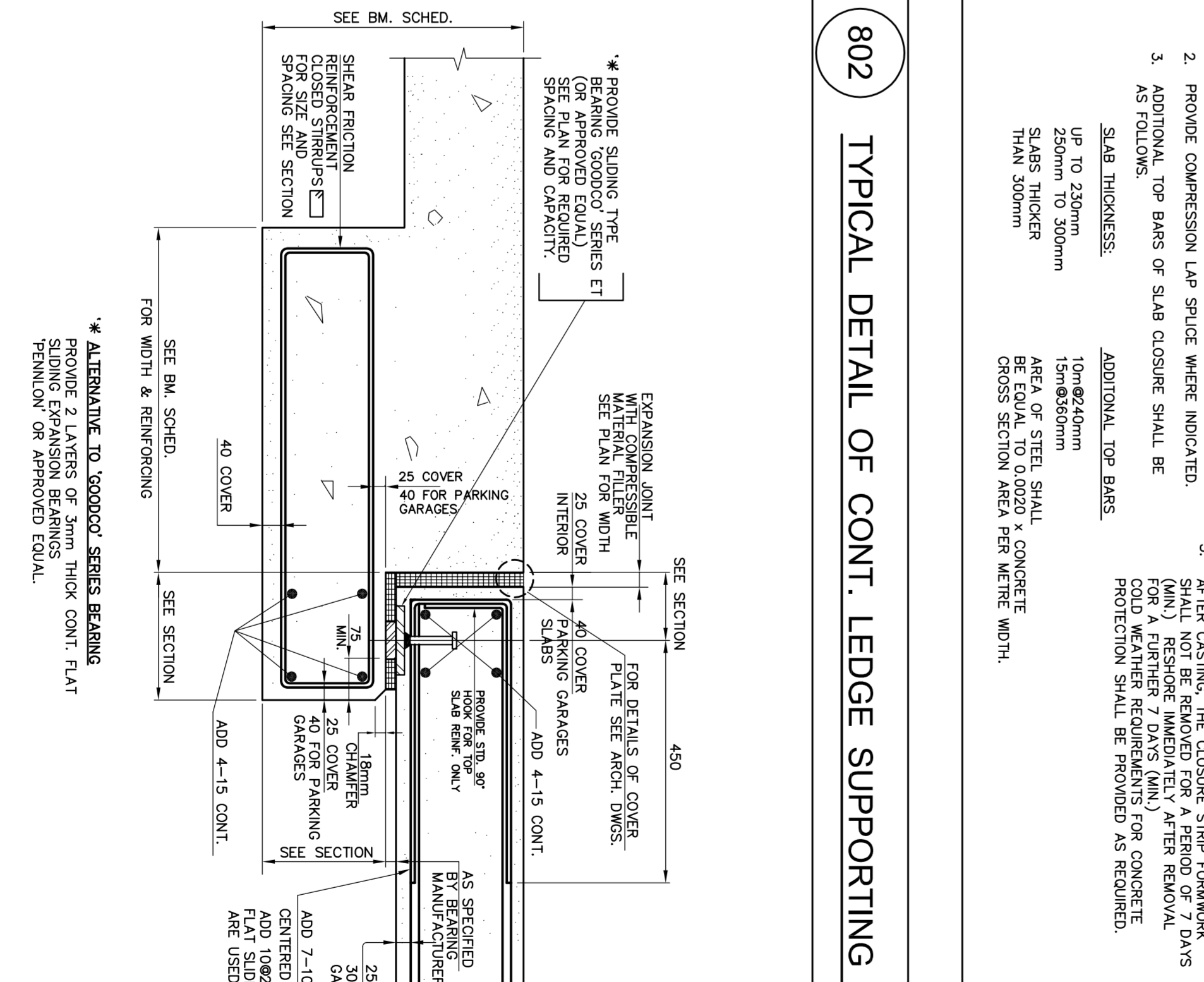
803 TYPICAL EXPANSION & CONTROL JOINTS IN WALLS



704 TYPICAL MID-WALL DETAIL AT "SCISSOR" STAIRS



802 TYPICAL DETAIL OF CONT. LEDGE SUPPORTING SLAB



ALEXANDRA PARK - BLOCK 11
TORONTO, ONTARIO

DATE: 14 FEB 2014
DRAWN BY: J. H. H. H.
CHECKED BY: J. H. H. H.
DATE: 14 FEB 2014

NO.	REVISION	DATE
1	ISSUED FOR PERMIT	14 FEB 2014
2	REVISED FOR COMMENTS	20 FEB 2014
3	REVISED FOR COMMENTS	27 FEB 2014
4	REVISED FOR COMMENTS	27 FEB 2014
5	REVISED FOR COMMENTS	27 FEB 2014
6	REVISED FOR COMMENTS	27 FEB 2014
7	REVISED FOR COMMENTS	27 FEB 2014

PROJECT: FIRST FLOOR ELEV. 80.00M

Johlborsky, Asif
and **Johns**
ENGINEERS
1000 SHEPPARD AVENUE EAST
SUITE 1000
SCARBOROUGH, ONTARIO M1S 1T7
TEL: 416-444-2777
FAX: 416-444-2777
E-MAIL: johlborsky@jeh.com

Professional Engineer
No. 10007
P.E. ASIF