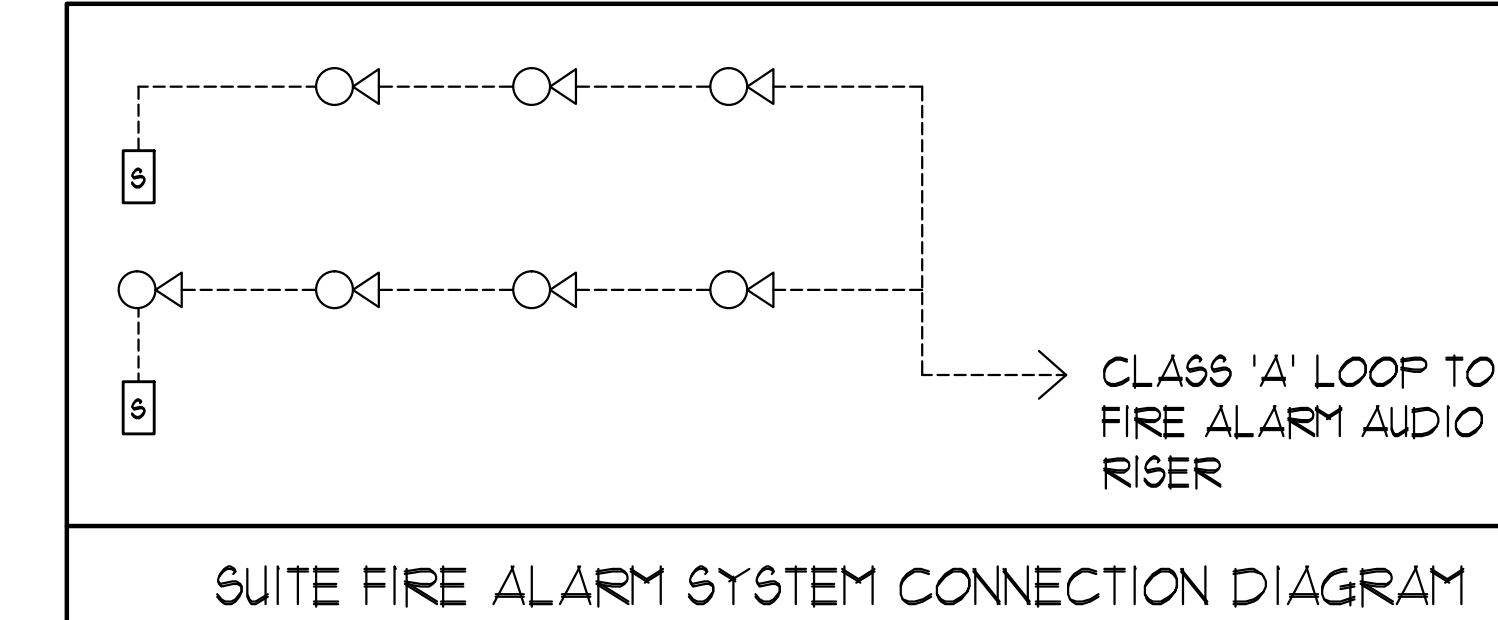


- GENERAL NOTES - RESIDENTIAL:**
- ELECTRICAL DRAWINGS SHALL BE READ IN CONJUNCTION WITH MECHANICAL, STRUCTURAL, ARCHITECTURAL AND LANDSCAPE DRAWINGS, AND COMPLY WITH ALL APPLICABLE NOTES.
 - CONTRACTOR SHALL RUN CABLES WITHIN CEILING SLAB OR ENCLOSURES TO RETAIN 1 HOUR FIRE PROTECTION RATING FOR ALL LOADS THAT CONNECT TO EMERGENCY POWER.
 - STAIRWAY WALL MOUNTED EMERGENCY LIGHT FIXTURES SHALL BE MOUNTED @ 1' AFF.
 - EMERGENCY LIGHT FIXTURES IN LOCKERS, STORAGE, GARBAGE, UTILITY AND SERVICE ROOMS SHALL BE CONNECTED TO BOTH NORMAL AND EMERGENCY POWER AS PER DETAIL #21 OF DIAG. E-35.
 - FOR STORAGE ROOM VENTILATION SYSTEM, DIV. 16 TO PROVIDE CONDUIT, WIRING AND SWITCH (S) TO START/STOP FAN AND DAMPER. FAN AND 110V ACTUATOR TO BE SUPPLIED AND INSTALLED BY DIV. 15.
 - FOR UTILITY ROOM VENTILATION SYSTEM, DIV. 15 WILL PROVIDE LINE VOLTAGE THERMOSTAT (T) TO DIV. 16. DIV. 16 TO PROVIDE CONDUIT AND WIRING TO START/STOP FAN AND DAMPER VIA THERMOSTAT. FAN AND 110V ACTUATOR TO BE SUPPLIED AND INSTALLED BY DIV. 15.
 - REFER TO SPRINKLER DRAWINGS FOR FIRE PROTECTION DEVICE TO BE CONNECTED TO THE FIRE ALARM SYSTEM. THE DEVICE AND EQUIPMENT SHALL FORM AN INTEGRAL PART OF THE ELECTRICAL CONTRACT.
 - REFER TO SUITE PANEL SCHEDULES FOR INSUITE CIRCUIT ARRANGEMENT.
 - ALL DUELLING UNIT RECEPTACLES EXCEPT IN KITCHEN SHALL BE TAMPER PROOF.
 - PROVIDE GROUND FAULT PROTECTION FOR SUITE KITCHEN AND WASHROOM RECEPTACLES WITHIN 1500mm OF SINK.
 - PROVIDE TELECOMMUNICATION BOX C/W BUILT-IN RECEPTACLE FOR TELECOMMUNICATION. TELECOMMUNICATION BOX SHALL BE COMPLIANT WITH THE TELECOM SERVICE PROVIDER SPECIFICATION. REFER TO DETAIL #9 ON DIAG. E-35 FOR TELECOM JUNCTION BOX INSTALLATION.
 - DRYER SENSOR TO START DRYER VENTILATION FAN AUTOMATICALLY WHEN DRYER IS RUNNING.
 - ALL SMOKE ALARMS WITHIN THE SUITE SHALL BE HARDWIRED TOGETHER AND TO A 15A, 1P CIRCUIT BREAKER AHEAD OF OTHER LOADS.
 - ALL DUELLING UNIT RECEPTACLES, INCLUDING KITCHEN COUNTER RECEPTACLES OF CSA CONFIGURATION 5-15R AND 5-20R SHALL BE TAMPER RESISTANT RECEPTACLES WITH EXCEPTION OF RECEPTACLES DEDICATED FOR STATIONARY APPLIANCES SUCH THAT THE RECEPTACLE IS RENDERED INACCESSIBLE OR THOSE LOCATED ABOVE 2m FROM THE FLOOR OR FINISHED GRADE. RULE 26-112(g) 26-112(h), BULLETIN 26-25-11.
 - ALL BEDROOM RECEPTACLES SHALL BE CONNECTED TO ARC-FAULT CIRCUIT BREAKERS (AFGI).
 - RECEPTACLES INSTALLED IN A DINING AREA FORMING PART OF A KITCHEN OF A DUELLING UNIT SHALL BE SUPPLIED BY A BRANCH CIRCUIT THAT DOES NOT SUPPLY ANY OTHER OUTLETS. RULE 26-112(e).

- KEY NOTES - RESIDENTIAL:**
- FOR CIRCUITING, REFER TO TABLE #1.
 - PROVIDE ALARM SPEAKER, SMOKE DETECTOR AND RECEPTACLE AT EVERY THIRD FLOOR STAIR WELL STARTING FROM TOP FLOOR, AS PER TO DIAG. E-32 FOR FIRE ALARM RISER DIAGRAM.
 - REFER TO SUPERVISED VALVE AND FLOW SWITCH SCHEDULE ON DIAG. E-XX FOR DETAILS ON TYPICAL FLOORS.
 - PROVIDE TELECOMMUNICATION BACKBOARD C/W 15V, 1P, 15A RECEPTACLE AS PER COMMUNICATION RISER DIAGRAM ON DIAG. E-31.
 - CONTRACTOR SHALL REFER TO ELECTRICAL SINGLE LINE DIAGRAM ON DIAG. E-30 AND SDP RISER ON DIAG. E-31 FOR SDP LOCATIONS AND DISTRIBUTION.
 - PROVIDE CONDUIT AS PER RISER DETAIL #9 ON DIAG. E-35 FOR BISORTER/TRISORTER CONTROL SYSTEM.
 - ALL SUITE DOOR CONTACTS WILL COMPLETE WITH INTRUSION ALARM SYSTEM THAT CONTACT TO THE CONCIERGE STATION.
 - DESIGNATED "LAUNDRY RECEPTACLE" AS DEFINED BY ESA CODE 26-112(e)(1), 26-112(b) AND ESA BULLETIN 26-26-0 (WITHIN 3m RADIUS OF LAUNDRY CLOSET). RECEPTACLE SHALL BE CONNECTED TO A DEDICATED CIRCUIT. SEE DETAIL #4 ON DIAG. E-35.
 - SWITCHES, RECEPTACLES, ETC. TO BE INSTALLED AS TO NOT INTERFERE WITH THE OPENING AND OPERATION OF SLIDING DOOR.

GENERAL AREA CIRCUITING - TABLE #1

LIGHTING FIXTURE LOCATION	CCT #	RECEPTACLE LOCATION	CCT #
P4 TO P11 - EXIT SIGNS	EX-XX	LOBBY (P4 TO P11)	EX-XX
G/F TO 10/F - EXIT SIGNS	EX-XX	STAIR 'A' (B,F,F,F2)	EX-XX
11/F TO ROOF - EXIT SIGNS	EX-XX	STAIR 'B' (M,F4,30212421) 10/F FLOORS	EX-XX
LOBBY (P4 TO P11)	EX-XX	STAIR 'B' (I2,3,6,3 P/F4) FLOORS	EX-XX
STAIR 'A' (P4 TO G/F)	EX-XX	STAIR 'C' (M,F4,30212421) FLOORS	EX-XX
CORRIDOR	EX-XX	STAIR 'C' (I8,15,12,6,3) FLOORS	EX-XX
	EX-XX	STAIR 'D' (P/F4) FLOORS	EX-XX
	EX-XX	STAIR 'E' (P/F) FLOOR	EX-XX
	EX-XX	CORRIDOR	EX-XX



MOUNTING HEIGHT SCHEDULE
(DIMENSIONS ARE FROM FINISH FLOOR TO TOP OF WALL BOX)

OUTLET	SUITES	PUBLIC AREA
RECEPTACLE	18" FFF	18" FFF
KITCHEN COUNTER SPLIT RECEPTACLE	46" FFF	46" FFF
TV/TELEPHONE (MULTI-PORT) OUTLET	18" FFF	18" FFF
LIGHT SWITCH	38" FFF	38" FFF
SECURITY PANEL	62" F.F.F	62" F.F.F
WALL THERMOSTAT	62" F.F.F	62" F.F.F
FRIDGE RECEPTACLE	TO SUIT EQUIPMENT	
MICROWAVE/FAN UNIT RECEPTACLE	LOCATE IN UPPER CABINET ABOVE	
UNDER CABINET LIGHTING RECEPTACLE	LOCATE IN UPPER CABINET ABOVE MICROWAVE / FAN UNIT	
INTERCOM	41" FFF	
FIREFIGHTER'S HANDSET	41" FFF	
FULL STATION	41" FFF	

ELECTRICAL LEGEND

LIGHTING

- FLUORESCENT LIGHT FIXTURE, TYPE AS INDICATED
- NIGHT LIGHT OR LIGHT CONNECTED TO EMERGENCY POWER
- CEILING MOUNTED WALL MOUNTED LIGHT FIXTURE, INSCRIBED LETTER DENOTES TYPE
- POLE MOUNTED LIGHT FIXTURE, INSCRIBED LETTER DENOTES TYPE
- CAPPED CEILING LIGHT OUTLET
- TRACK LIGHT
- STRIP LIGHT
- UNDER CABINET FLUORESCENT LIGHT FIXTURE
- CEILING MOUNTED WALL MOUNTED EXIT SIGN
- EMERGENCY LIGHT FIXTURE, LAMP REMOVE HEAD
- EMERGENCY BATTERY PACK
- OCCUPANCY SENSOR POWER PACKS
- SINGLE/THREE POLE SINGLE/THREE PHASE LOCAL RECEPTACLE
- 13/14" FID DENOTES 3-WAY 4-WAY/PILOT LIGHT, OTHER SWITCHED LIGHT RESPECTIVELY
- MASTER LIGHTING SWITCH OFF SWITCH
- SENSOR WALL SWITCH FIRE SELF POWERED
- OCCUPANCY SENSOR CEILING MOUNTED

POWER

- REGULAR DUPLEX RECEPTACLE
- DUPLEX RECEPTACLE GROUND FAULT INTERRUPT
- 3-20R 1-10T DUPLEX RECEPTACLE
- SINGLE RECEPTACLE TYPE AND CONFIGURATION AS SPECIFIED FOR DRYER
- CONNECTION FOR OVERCLOCKTOP
- ABOVE COUNTER DEVICE
- CEILING MOUNTED DEVICES
- FLOOR MOUNTED DEVICES
- DISCONNECT SWITCH, NON-RATED
- DISCONNECT SWITCH, RATED
- CORNER MOUNTED SWITCH
- FRACTIONAL MOTOR/FAN DIRECT CONNECTION
- DIRECT CONNECTION, SINGLE PHASE
- DIRECT CONNECTION, THREE PHASE
- THERMOSTAT
- DRYER SENSOR
- HEAT TRACE
- ELECTRICAL HEATER
- ELECTRICAL PANEL / SECURITY PANEL

TELECOMMUNICATION

- TV/CABLE OUTLET
- TELEPHONE OUTLET
- TELEPHONE CABLE (MULTI-PORT) OUTLET
- DATA OUTLET
- DATA/TELEPHONE OUTLET
- IN SUITE TELECOM BOX C/W RECEPTACLE
- LIFT LOCATION
- MUSIC SPEAKER / VOLUME CONTROL
- RADIO RECEIVER

SECURITY

- INTERCOM / INTERPHONE
- INTERCOM WITH CAMERA
- PANIC BUTTON, PANIC INTERCOM STATION
- CARD READER
- AUTOMATIC RELEASE CARD ACCESS/RADIO RECEIVER
- ELECTRIC STRIKE
- MAGLOCK
- DOOR CONTACT / WINDOW CONTACT
- AUTOMATIC DOOR OPERATOR
- MOTION DETECTOR
- PUSH BUTTON
- SECURITY CAMERA

LIFE SAFETY

- FIRE ALARM SPOKE DETECTOR
- SPOKE ALARM
- FIRE ALARM DUCT TYPE SPOKE DETECTOR
- FIRE ALARM HEAT DETECTOR
- FIXED TRIP 15 AMPERES HEAT DETECTOR
- MOISTURE PROOF HEAT DETECTOR
- CO ALARM
- COMBINATION SPOKE & CO ALARM
- CO SENSOR / NO SENSOR
- FIRE ALARM MANUAL PULL STATION
- FRONTIERERS HANDSET
- FIRE ALARM STROBE/ALARM WALL MTD.
- FIRE ALARM 110V HORN WALL MTD.
- FIRE ALARM SPEAKER/STROBE CEILING MTD.
- FIRE ALARM SPEAKER CEILING MTD.
- FIRE ALARM ANNUNCIATOR PANEL
- FIRE ALARM CONTROL PANEL

REVISIONS

NO.	DATE	DESCRIPTION

CONTRACTOR MUST CHECK AND VERIFY ALL DIMENSIONS AND CONDITIONS ON THE JOB AND REPORT DISCREPANCIES TO THE ENGINEER BEFORE PROCEEDING WITH THE WORK. THIS DRAWING IS THE PROPERTY OF THE ENGINEER AND IS TO BE USED ONLY FOR THE PROJECT OF THE WORK. DRAWINGS ARE NOT TO BE SCALED.

NOVA TRENDS

1715 West Beaver Creek Road, Unit 31
Richmond Hill, Ontario L4B 3M1
Tel: 905-882-5445
Fax: 905-882-5441
Email: sales@novatrendeng.com

DRAWING TITLE: 10/F FLOOR PLAN ELECTRICAL LAYOUT

PROJECT TITLE: ALEXANDRA PARK

XXXX TORONTO ONTARIO

DRAWN BY: S.O. CHECKED BY: S.T. SCALE: 1:50

DATE: FEB, 13 PROJECT NUMBER: 1313 DRAWING NUMBER: E-24