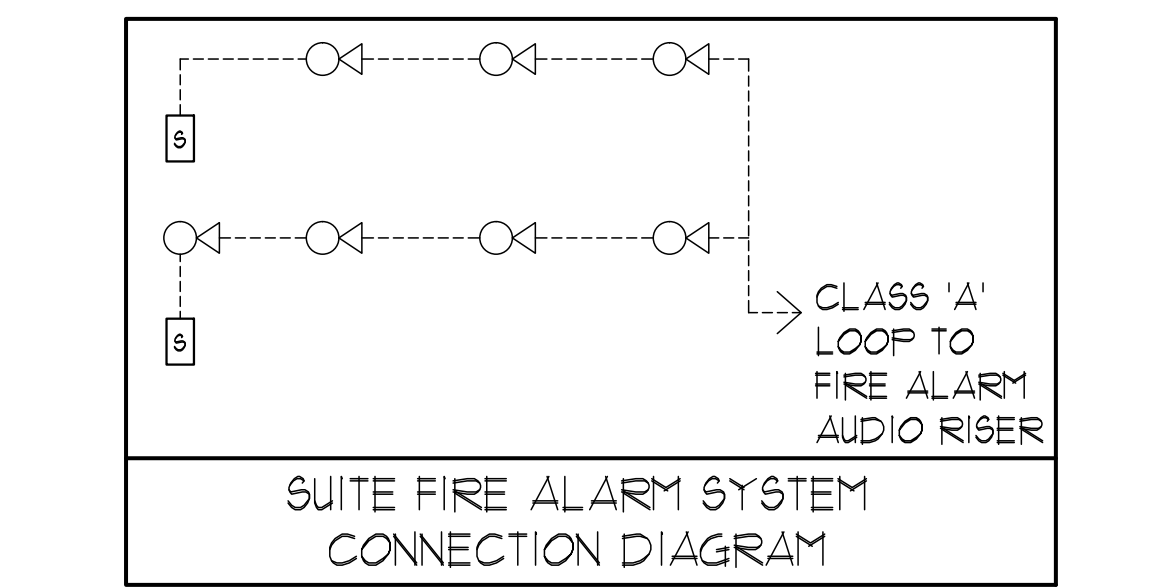


**GENERAL AREA CIRCUITING - TABLE #1**

LIGHTING FIXTURE LOCATION	CCT.
P2 TO P1 - EXIT SIGNS	E-1
G/F TO MPH - EXIT SIGNS	E-3
MPH - EXIT SIGNS	ER-1
STAIR 'A' (P2 TO G/F)	E-5
STAIR 'B' (P2 TO G/F)	E-1
STAIR 'U' (G/F TO 4/F)	E-9
STAIR 'U' (5/F TO 9/F)	E-11
STAIR 'G' (G/F TO 14/F)	E-13
STAIR 'H' (G/F TO 14/F)	E-15
STAIR 'K' (4/F TO MPH) & MPH (G/F)	ER-3ER-5R-1R-1B
E-12-E-4E-6E-16E-8E-10E-12E-14E-16	B-1-B-4B-6B-8B-10B-12B-14B-16
B-18B-20B-22B-24B-26B-28B-30	
(G/F)	
CORRIDOR (2/F & 3/F)	E-24
CORRIDOR (4/F & 5/F)	E-26
CORRIDOR (6/F & 7/F)	E-28
CORRIDOR (8/F TO 11/F)	E-30
CORRIDOR (12/F TO 14/F)	E-32
CORRIDOR & LOCKER (2/F)	B-46
CORRIDOR (3/F)	B-48
CORRIDOR (4/F)	B-50
CORRIDOR (5/F & 6/F)	B-52
CORRIDOR (7/F & 8/F)	B-54
CORRIDOR (9/F TO 11/F)	B-56
CORRIDOR (12/F TO 14/F)	B-58
ELEVATOR CAB	ER-6, ER-8ER-10
EXTERIOR SITE	E-1E-13E-15E-17E-19E-21
RECEPTACLE LOCATION	CCT.
ELEC. S. CLOSET (G/F TO 9/F)	B-2
ELEC. N. CLOSET (2/F TO 9/F)	B-4
ELEC. N. CLOSET (10/F TO 14/F)	B-6
ELEC. N. CLOSET (22/F TO 32/F)	B-8
ELEV. LOBBY (P2 TO 8/F)	B-10
CORRIDOR (2/F TO 8/F)	B-12B-14B-16B-18B-20B-22B-24
CORRIDOR (10/F TO 14/F)	B-26B-28
ELEV. LOBBY (9 TO 14/F)	B-30
CORRIDOR (5/F TO 14/F)	B-32B-34B-36B-38
STAIR 'A' (G/F) & J/F&K/F	B-40
STAIR 'F' (14/F)&P&P/F	B-42
STAIR 'H' (14/F)&P&P/F	B-44
STAIR 'K' 4 MPH	R-2

**KEY NOTES - INSUITE:**

- DESIGNATED "LAUNDRY RECEPTACLE" AS DEFINED BY ESA CODE 26-110(8/11) 26-110(11) 26-110(12) AND ESA BULLETIN 26-116-0 (WITHIN 3m RADIUS OF LAUNDRY CLOSET). RECEPTACLE SHALL BE CONNECTED TO A DEDICATED CIRCUIT. SEE DETAIL #4 ON DUG. E-35.
- SUITE DOOR CONTACTS AND GLASS BREAK DETECTOR WILL COMPLETE WITH INTRUSION ALARM SYSTEM THAT CONTACT TO THE CONCIERGE STATION. (TYPICAL)
- FOR FAN COIL UNITS (FCU) ELECTRICAL CONTRACTOR TO SUPPLY AND INSTALL CONDUIT AND JUNCTION BOX FOR REMOTE THERMOSTAT. MECHANICAL CONTRACTOR SHALL SUPPLY WIRE, TERMINATE WIRING AND MOUNT THERMOSTAT.
- INSTALL SIDE-MOUNTED RECEPTACLE ON KITCHEN ISLAND CABINET.
- SWITCHES, RECEPTACLES, ETC. TO BE INSTALLED AS TO NOT INTERFERE WITH THE OPENING AND OPERATION OF SLIDING DOOR.



**MOUNTING HEIGHT SCHEDULE (TO TOP OF BOX)**

OUTLET	SUITES	PUBLIC AREA
RECEPTACLE	400 MM AFF.	400 MM AFF.
TV OUTLET	400 MM AFF.	400 MM AFF.
TELEPHONE OUTLET	400 MM AFF.	400 MM AFF.
MULTI-PORT OUTLET	400 MM AFF.	400 MM AFF.
SWITCH	1200 MM AFF.	1200 MM AFF.
SECURITY PANEL	1200 MM AFF.	
SILENCE SWITCHES	1200 MM AFF.	
THERMOSTAT	1200 MM AFF.	1200 MM AFF.
INTERCOM		1200 MM AFF.
V.C. HANDSET		1200 MM AFF.
PULL STATION		1200 MM AFF.

**GENERAL NOTES - RESIDENTIAL:**

- MECHANICAL DRAWINGS SHALL BE READ IN CONJUNCTION WITH MECHANICAL, STRUCTURAL, ARCHITECTURAL AND LANDSCAPE DRAWINGS.
- CONTRACTOR SHALL RUN CABLES WITHIN CEILING SLAB OR ENCLOSURES TO RETAIN 2 HOUR FIRE PROTECTION RATING FOR ALL LOADS THAT CONNECT TO EMERGENCY POWER.
- FIRE ALARM RISERS SHALL BE RUN IN 2 HOUR FIRE RATED ELECTRICAL CLOSET. REFER TO DUG. E-32 FOR RISER DIAGRAM AND DETAILS.
- STAIRWAY WALL MOUNTED EMERGENCY LIGHT FIXTURES SHALL BE MOUNTED @ 1' AFF. MIN.
- FOR STORAGE ROOM VENTILATION SYSTEM, DIV. 16 TO PROVIDE CONDUIT, WIRING AND SWITCH (S) TO START/STOP FAN AND DAMPER. FAN AND 110V ACTUATOR TO BE SUPPLIED AND INSTALLED BY DIV. 15.
- FOR UTILITY ROOM VENTILATION SYSTEM, DIV. 15 WILL PROVIDE LINE VOLTAGE THERMOSTAT (T) TO DIV. 16. DIV. 16 TO PROVIDE CONDUIT AND WIRING TO START/STOP FAN AND DAMPER VIA THERMOSTAT. FAN AND 110V ACTUATOR TO BE SUPPLIED AND INSTALLED BY DIV. 15.
- FOR UNIT HEATER, DIV. 15 TO PROVIDE LINE VOLTAGE THERMOSTAT (T), DIV. 16 TO PROVIDE CONDUIT AND WIRING TO START/STOP UNIT HEATER.
- REFER TO SPRINKLER DRAWINGS FOR FIRE PROTECTION DEVICE TO BE CONNECTED TO THE FIRE ALARM SYSTEM. THE DEVICE AND EQUIPMENT SHALL FORM AN INTEGRAL PART OF THE ELECTRICAL CONTRACT.
- DIV. 16 SHALL SUPPLY AND INSTALL CONDUITS, WIRES AND INTERLOCK FANS TO MOTORIZED DAMPERS AND TO THE THERMOSTAT.
- REFER TO SUITE PANEL SCHEDULES FOR INSUITE CIRCUIT ARRANGEMENT.
- ALL DWELLING UNIT RECEPTACLES EXCEPT IN KITCHEN SHALL BE TAMPER PROOF.
- PROVIDE GROUND FAULT PROTECTION FOR SUITE KITCHEN AND WASHROOM RECEPTACLES WITHIN 1500mm OF SINK.
- PROVIDE TELECOMMUNICATION BOX C/W BUILT-IN RECEPTACLE FOR TELECOMMUNICATION. TELECOMMUNICATION BOX SHALL BE COMPLIANT WITH THE TELECOM SERVICE PROVIDER SPECIFICATION. REFER TO DETAIL #3 ON DUG. E-35 FOR TELECOM JUNCTION BOX INSTALLATION.
- DRYER SENSOR TO START DRYER VENTILATION FAN AUTOMATICALLY WHEN DRYER IS RUNNING.
- ALL SMOKE ALARMS WITHIN THE SUITE SHALL BE HARDWIRED TOGETHER AND TO A 15A, 1P CIRCUIT BREAKER AHEAD OF OTHER LOADS.

**KEY NOTES - RESIDENTIAL - COMMON AREA:**

- FOR CIRCUITING, REFER TO TABLE #1.
- PROVIDE ALARM SPEAKER, SMOKE DETECTOR AND RECEPTACLE AT EVERY THIRD FLOOR STAIR WELL STARTING FROM TOP FLOOR, AS PER TO DUG. E-33 FOR FIRE ALARM RISER DIAGRAM.
- INSTALL SIDE-MOUNTED RECEPTACLE ON KITCHEN ISLAND CABINET.
- PROVIDE TELECOMMUNICATION BACKBOARD C/W 115V, 1P, 15A RECEPTACLE AS PER COMMUNICATION RISER DIAGRAM ON DUG. E-31.
- CONTRACTOR SHALL REFER TO ELECTRICAL SINGLE LINE DIAGRAM ON DUG. E-30 AND SDP RISER ON DUG. E-31 FOR SDP LOCATIONS AND DISTRIBUTION.
- PROVIDE CONDUIT AS PER RISER DETAIL #3 ON DUG. E-35 FOR BISORTER/TRISORTER CONTROL SYSTEM.
- REFER TO SUPERVISED VALVE AND FLOW SWITCH SCHEDULE ON DUG. E-33 FOR DETAILS ON TYPICAL FLOORS.
- EMERGENCY LIGHT FIXTURES IN LOCKERS, STORAGE, GARBAGE, UTILITY AND SERVICE ROOMS SHALL BE CONNECTED TO BOTH NORMAL AND EMERGENCY POWER AS PER DETAIL #1 OF DUG. E-35.
- ALLOCATE 2, 120V, 15A, CIRCUITS FROM PANEL 'LP-F' FOR MECHANICAL CONTROL. CONTRACTOR COORDINATE WITH DIV. 15 FOR EXACT LOCATION.
- SWING STAGE WINDOW WASHING TWIST LOCK WITH LOCKOUTS RECEPTACLE 30A, 3P, 208V, 5WIRE (L15-30R).
- REFER TO ARCHITECTURAL DRAWINGS FOR MOUNTING HEIGHT AND EXACT LOCATION OF EXTERIOR WALL MOUNTED LIGHT FIXTURE.
- DEDICATED FLOOR MOUNTED RECEPTACLE FOR FITNESS EQUIPMENT. EXACT LOCATION TO BE VERIFIED ON SITE.
- REFER TO INTERIOR DESIGNER/LANDSCAPE/ARCHITECTURAL DRAWINGS FOR EXACT LOCATION FOR FRIDGE, MICROWAVE AND OVER COUNTER RECEPTACLES.
- 1-APC SMART-UPS 150VA WITH LCD (120V) FOR EACH INTERCOM.
- DOORS RELEASED TO OPEN ON FIRE ALARM ACTIVATION.
- ACTIVATION OF FIRE ALARM SYSTEM SHALL ACTIVATE THE SUPPLY FANS. WHEN THE DUCT TYPE SMOKE DETECTOR IS ACTIVATED, THE ASSOCIATED SUPPLY FAN SHALL BE TURNED OFF. WHEN THE MOTORIZED DAMPER IS ACTIVATED, THE DOOR SHALL BE RELEASED AND OPENED.
- PROVIDE "CACT" SIGN-RED LETTERS ON WHITE BACKGROUND WHICH FLASHES WHEN FIRE ALARM SYSTEM IS ACTIVATED.

**ELECTRICAL LEGEND**

LIGHTING		
[Symbol]	FLUORESCENT LIGHT FIXTURE TYPE AS INDICATED	
[Symbol]	NIGHT LIGHT OR LIGHT CONNECTED TO EMERGENCY POWER	
[Symbol]	CEILING POINT-TO-WALL MOUNTED LIGHT FIXTURE	
[Symbol]	POLE MOUNTED LIGHT FIXTURE, INSCRIBED LETTER DENOTES TYPE	
[Symbol]	TRUCK LIGHT	
[Symbol]	STRIP LIGHT	
[Symbol]	UNDER CABINET FLUORESCENT LIGHT FIXTURE	
[Symbol]	CEILING MOUNTED WALL MOUNTED EXIT SIGN	
[Symbol]	SINGLE-GLASS EMERGENCY LAMP REPOSE HEAD	
[Symbol]	EMERGENCY BATTERY PACK	
[Symbol]	OCCUPANCY SENSOR POWER RACKS	
[Symbol]	1 1/2" x 1/8" THROUGH TOGGLE SWITCH RESPECTIVELY, (3/4" x 1/2" DISK) SHUT-OFF SWITCH LIGHT, OTHER SWITCHED LIGHT RESPECTIVELY	
[Symbol]	MASTER LIGHTING SHUT-OFF SWITCH	
[Symbol]	SENSOR WALL SWITCH FIRE SELF POWERED	
[Symbol]	OCCUPANCY SENSOR CEILING MOUNTED	
POWER		
[Symbol]	REGULAR DUPLEX RECEPTACLE	
[Symbol]	DUPLEX RECEPTACLE GROUND FAULT INTERRUPT	
[Symbol]	3-POLE 4-WIRE DUPLEX RECEPTACLE	
[Symbol]	SINGLE RECEPTACLE TYPE AND CONFIGURATION AS SPECIFIED FOR DRIVER	
[Symbol]	CONNECTION FOR OVERHEAD/DOOR	
[Symbol]	ABOVE COUNTER DEVICE	
[Symbol]	CEILING MOUNTED DEVICES	
[Symbol]	FLOOR MOUNTED DEVICES	
[Symbol]	DISCONNECT SWITCH NON-FUSED	
[Symbol]	DISCONNECT SWITCH FUSED	
[Symbol]	COMBINATION STARTER	
[Symbol]	FRACTIONAL MOTOR/FAN DIRECT CONNECTION	
[Symbol]	DIRECT CONNECTION SINGLE PHASE	
[Symbol]	DIRECT CONNECTION THREE PHASE	
[Symbol]	THERMOSTAT	
[Symbol]	DRYER SENSOR	
[Symbol]	HEAT TRACE	
[Symbol]	ELECTRICAL HEATER	
[Symbol]	ELECTRICAL PANEL / SECURITY PANEL	
TELECOMMUNICATION		
[Symbol]	TV/CABLE OUTLET	
[Symbol]	TELEPHONE OUTLET	
[Symbol]	TELEPHONE/TV CABLE (MULTI-PORT OUTLET)	
[Symbol]	DATA OUTLET	
[Symbol]	DATA/TELEPHONE OUTLET	
[Symbol]	N IN SUITE TELECOM BOX C/W RECEPTACLE	
[Symbol]	WIFI LOCATION	
[Symbol]	MAX. SPEAKER VOLUME CONTROL	
[Symbol]	RADIO RECEIVER	
SECURITY		
[Symbol]	INTERCOM / EXTERIORPHONE	
[Symbol]	INTERCOM WITH CAMERA	
[Symbol]	PANIC BUTTON / PANIC INTERCOM STATION	
[Symbol]	CARD READER	
[Symbol]	AUTOMATIC RELEASE CARD ACCESS-RADIO RECEIVER	
[Symbol]	ELECTRIC STRIKE	
[Symbol]	MAGLOCK	
[Symbol]	DOOR CONTACT / WINDOW CONTACT	
[Symbol]	GLASS BREAK DETECTOR	
[Symbol]	AUTOMATIC DOOR OPERATOR	
[Symbol]	MOTION DETECTOR	
[Symbol]	PUSH BUTTON	
[Symbol]	SECURITY CAMERA	
LIFE SAFETY		
[Symbol]	FIRE ALARM SMOKE DETECTOR	
[Symbol]	SPOKE ALARM	
[Symbol]	FIRE ALARM DUCT TYPE SMOKE DETECTOR	
[Symbol]	FIRE ALARM HEAT DETECTOR	
[Symbol]	FIRE ALARM THERMOPIRE DETECTOR	
[Symbol]	MULTIPLE PROOF HEAT DETECTOR	
[Symbol]	CO ALARM	
[Symbol]	COMBINATION SPOKE & CO ALARM	
[Symbol]	CO SENSOR / NO SENSOR	
[Symbol]	FIRE ALARM MANUAL PULL STATION	
[Symbol]	FIREFIGHTER'S HANDSET	
[Symbol]	FIRE ALARM STROBE/HORN WALL MTD.	
[Symbol]	FIRE ALARM STROBE/HORN WALL MTD.	
[Symbol]	FIRE ALARM SPEAKER/STROBE CEILING MTD.	
[Symbol]	FIRE ALARM SPEAKER CEILING MTD.	
[Symbol]	FIRE ALARM ANNUNCIATOR PANEL	
[Symbol]	FIRE ALARM CONTROL PANEL	
REVISIONS		
NOV 13 2014	ISSUED FOR TENDER	BT
DEC 10 2014	RE-ISSUED FOR PERMIT	BT
FEB 13 2015	ISSUED FOR PERMIT	BT
FEB 13 2015	REVISION	BT
DRAWINGS ARE NOT TO BE SCALED		
<p>CONTRACTOR MUST CHECK AND VERIFY ALL DIMENSIONS AND CONDITIONS ON THE JOB AND REPORT DISCREPANCIES TO THE ENGINEER BEFORE PROCEEDING WITH THE WORK. THE DRAWING IS THE PROPERTY OF THE ENGINEER AND NOT TO BE REPRODUCED OR COPIED IN ANY FORM.</p> <p>DRAWINGS ARE NOT TO BE SCALED</p>		<p>NOVA PROFESSIONAL ENGINEER S.T.P. T.M. REGISTERED PROFESSIONAL ENGINEER</p>
<p>115 West Beaver Creek Road, Unit 31 Richmond Hill, Ontario L4B 3M1 Tel: 905 882-5445 Fax: 905 882-5441 Email: cad@novatrendeng.com</p>		<p>PROJECT TITLE <b>G/F NORTH FLOOR PLAN LIGHTING LAYOUT</b></p> <p>PROJECT TITLE <b>ALEXANDRA PARK</b></p> <p>38 CAMERON STREET, BLOCK 11 TORONTO ONTARIO</p>
DATE FEB 13 2015	PROJECT NUMBER 1313	SCALE 1:50
DRAWING NUMBER E-1	DRAWING NUMBER	

SEE DRAWING E-4 FOR CONTINUATION

Drawing name: \\\CDR\ENR\Current Draw\1313 - Alexandra Park\3131E-07 (G) 1313.dwg  
Printed: Sep 23, 2014 - 2:46pm

