

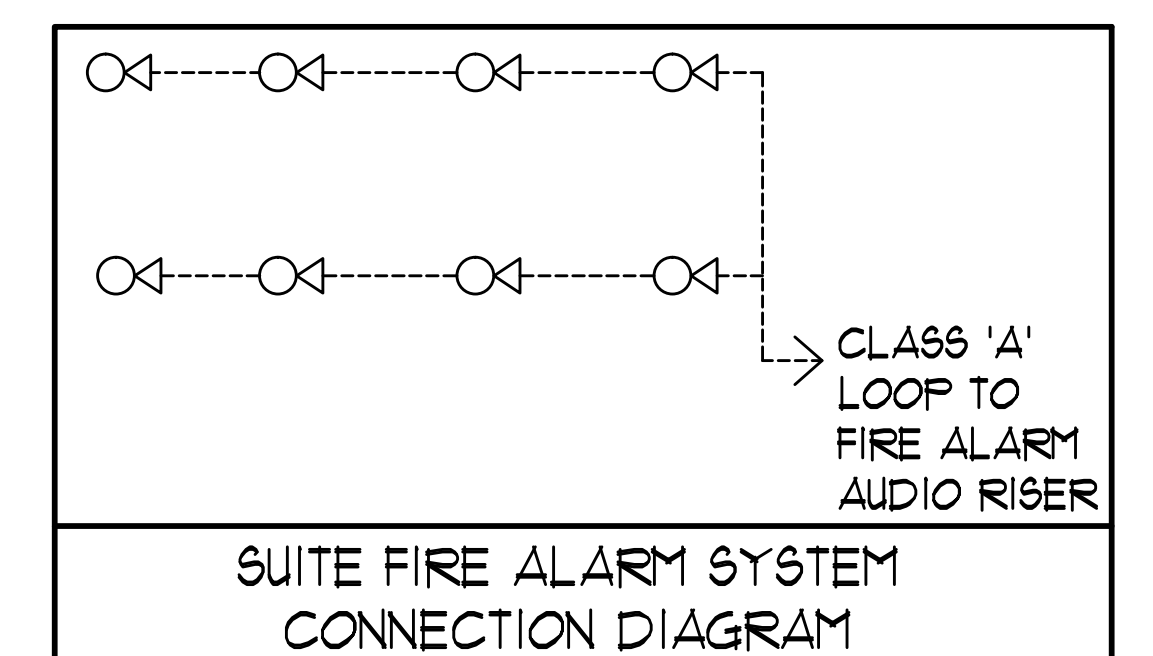
**GENERAL AREA CIRCUITING - TABLE #1**

LIGHTING FIXTURE LOCATION	CCT.#
P2 TO P1 - EXIT SIGNS	E-1
G/F TO MPH - EXIT SIGNS	E-3
MPH - EXIT SIGNS	ER-1
STAIR 'A' (P2 TO G/F)	E-5
STAIR 'B' (P2 TO G/F)	E-1
STAIR 'J' (G/F TO 4/F)	E-9
STAIR 'J' (B/F TO 9/F)	E-11
STAIR 'G' (G/F TO 14/F)	E-13
STAIR 'F' (G/F TO 14/F)	E-15
STAIR 'K' (14/F TO MPH) + MPH (G/F)	ER-3, ER-5, R-1, R-9
(G/F)	E-2, E-4, E-6, E-16, E-8, E-10, E-12, E-14, E-16
B1-2, B1-4, B1-6, B1-8, B1-10, B1-12, B1-14, B1-16	B1-10, B1-20, B1-22, B1-24, B1-26, B1-28, B1-30
CORRIDOR (2/F TO 3/F)	E-24
CORRIDOR (4/F TO 5/F)	E-26
CORRIDOR (6/F TO 7/F)	E-28
CORRIDOR (8/F TO 11/F)	E-30
CORRIDOR (12/F TO 14/F)	E-32
CORRIDOR + LOCKER (2/F)	B-46
CORRIDOR (3/F)	B-48
CORRIDOR (4/F)	B-50
CORRIDOR (5/F TO 6/F)	B-52
CORRIDOR (7/F TO 8/F)	B-54
CORRIDOR (9/F TO 11/F)	B-56
CORRIDOR (12/F TO 14/F)	B-58
ELEVATOR CAB	ER-6, ER-8, ER-10
EXTERIOR SITE	E1-1E1-3E1-5E1-7E1-9E1-11E1-13
RECEPTACLE LOCATION	CCT.#
ELEC. S. CLOSET (G/F TO 9/F)	B-2
ELEC. N. CLOSET (2/F TO 9/F)	B-4
ELEC. N. CLOSET (10/F TO 14/F)	B-6
ELEC. N. CLOSET (22/F TO 32/F)	B-8
ELEV. LOBBY (P2 TO 8/F)	B-10
CORRIDOR (2/F TO 8/F)	B-12, B-14, B-16, B-18, B-20, B-22, B-24
CORRIDOR (2/F TO 5/F)	B-26, B-28
ELEV. LOBBY (9 TO 14/F)	B-30
CORRIDOR (13/F TO 14/F)	B-32, B-34, B-36, B-38
STAIR A (G/F) + J (9/F, 6/F, 3/F)	B-40
STAIR F (14/F) + F (B/F, F/F, F/F)	B-42
STAIR H (14/F) + F (B/F, F/F, F/F)	B-44
STAIR 'K' + MPH	R-2

- KEY NOTES - INSUITE:**
- DESIGNATED "LAUNDRY RECEPTACLE" AS DEFINED BY ESA CODE 26-110(x)(1), 26-120(b) AND ESA BULLETIN 26-26-0 (WITHIN 3m RADIUS OF LAUNDRY CLOSET). RECEPTACLE SHALL BE CONNECTED TO A DEDICATED CIRCUIT. SEE DETAIL #4 ON DWG. E-35.
  - SUITE DOOR CONTACTS AND GLASS BREAK DETECTOR WILL COMPLETE WITH INTRUSION ALARM SYSTEM THAT CONTACT TO THE CONCERGE STATION (TYPICAL)
  - FOR FAN COIL UNITS (FCU) ELECTRICAL CONTRACTOR TO SUPPLY AND INSTALL CONDUIT AND JUNCTION BOX FOR REMOTE THERMOSTAT. MECHANICAL CONTRACTOR SHALL SUPPLY, WIRE, TERMINATE WIRING AND MOUNT THERMOSTAT.
  - INSTALL SIDE-MOUNTED RECEPTACLE ON KITCHEN ISLAND CABINET.
  - SWITCHES, RECEPTABLES, ETC. TO BE INSTALLED AS TO NOT INTERFERE WITH THE OPENING AND OPERATION OF SLIDING DOOR.
  - TERRACE LIGHTING FIXTURE AND RECEPTACLE, SHALL BE CENTERED ON PANEL (350MM FROM CENTRE OF DOOR MULLION). REFER TO ARCHITECTURAL ELEVATION.

- GENERAL NOTES - RESIDENTIAL:**
- ELECTRICAL DRAWINGS SHALL BE READ IN CONJUNCTION WITH MECHANICAL, STRUCTURAL, ARCHITECTURAL AND LANDSCAPE DRAWINGS.
  - CONTRACTOR SHALL RUN CABLES WITHIN CEILING SLAB OR ENCLOSURES TO RETAIN 2 HOUR FIRE PROTECTION RATING FOR ALL LOADS THAT CONNECT TO EMERGENCY POWER.
  - FIRE ALARM RISERS SHALL BE RUN IN 2 HOUR FIRE RATED ELECTRICAL CLOSET. REFER TO DWG. E-32 FOR RISER DIAGRAM AND DETAILS.
  - STAIRWAY WALL MOUNTED EMERGENCY LIGHT FIXTURES SHALL BE MOUNTED @ 1' AFF. MIN.
  - FOR STORAGE ROOM VENTILATION SYSTEM, DIV. 16 TO PROVIDE CONDUIT, WIRING AND SWITCH (S) TO START/STOP FAN AND DAMPER. FAN AND 110V ACTUATOR TO BE SUPPLIED AND INSTALLED BY DIV. 15.
  - FOR UTILITY ROOM VENTILATION SYSTEM, DIV. 15 WILL PROVIDE LINE VOLTAGE THERMOSTAT (T) TO DIV. 16. DIV. 16 TO PROVIDE CONDUIT AND WIRING TO START/STOP FAN AND DAMPER VIA THERMOSTAT. FAN AND 110V ACTUATOR TO BE SUPPLIED AND INSTALLED BY DIV. 15.
  - FOR UNIT HEATER, DIV. 15 TO PROVIDE LINE VOLTAGE THERMOSTAT (T). DIV. 16 TO PROVIDE CONDUIT AND WIRING TO START/STOP UNIT HEATER.
  - REFER TO SPRINKLER DRAWINGS FOR FIRE PROTECTION DEVICE TO BE CONNECTED TO THE FIRE ALARM SYSTEM. THE DEVICE AND EQUIPMENT SHALL FORM AN INTEGRAL PART OF THE ELECTRICAL CONTRACT.
  - DIV. 16 SHALL SUPPLY AND INSTALL CONDUITS, WIRES AND INTERLOCK FANS TO MOTORIZED DAMPERS AND TO THE THERMOSTAT.
  - DIV. 16 SHALL SUPPLY AND INSTALL CONDUITS, WIRES AND INTERLOCK FANS TO MOTORIZED DAMPERS AND TO THE THERMOSTAT.
  - REFER TO SUITE PANEL SCHEDULES FOR INSUITE CIRCUIT ARRANGEMENT.
  - ALL DWELLING UNIT RECEPTABLES EXCEPT IN KITCHEN SHALL BE TAMPER PROOF.
  - PROVIDE GROUND FAULT PROTECTION FOR SUITE KITCHEN, AMENITY KITCHEN AND WASHROOM RECEPTABLES WITHIN 1500mm OF SINK.
  - PROVIDE TELECOMMUNICATION BOX (CUI) BUILT-IN RECEPTACLE FOR TELECOMMUNICATION. TELECOMMUNICATION BOX SHALL BE COMPLIANT WITH THE TELECOM SERVICE PROVIDER SPECIFICATION. REFER TO DETAIL #3 ON DWG. E-35 FOR TELECOM JUNCTION BOX INSTALLATION.
  - DRYER SENSOR TO START DRYER VENTILATION FAN AUTOMATICALLY WHEN DRYER IS RUNNING.
  - ALL SMOKE ALARMS WITHIN THE SUITE SHALL BE HARDWIRED TOGETHER AND TO A 15A, 1P CIRCUIT BREAKER AHEAD OF OTHER LOADS.
  - ALL OUTDOOR RECEPTABLES SHALL BE WEATHERPROOF (LEGRADE CAT# 3232TRUR-GRY FOR NON-GFCI AND CAT# 1995TRUR-GRY FOR GFCI) AND SHALL BE EQUIPPED WITH A WHILE IN USE CAST ALUMINUM COVERPLATE (LEGRADE CAT# WUCAST1) COVERPLATE.

- KEY NOTES - RESIDENTIAL - COMMON AREA:**
- FOR CIRCUITING, REFER TO TABLE #1.
  - PROVIDE ALARM SPEAKER, SMOKE DETECTOR AND RECEPTACLE AT EVERY THIRD FLOOR STAIR WELL STARTING FROM TOP FLOOR, AS PER TO DWG. E-32 FOR FIRE ALARM RISER DIAGRAM.
  - PROVIDE TELECOMMUNICATION BACKBOARD (CUI) 15A, 1P, 15A RECEPTACLE AS PER COMMUNICATION RISER DIAGRAM ON DWG. E-31.
  - CONTRACTOR SHALL REFER TO ELECTRICAL SINGLE LINE DIAGRAM ON DWG. E-30 AND SDP RISER ON DWG. E-31 FOR SDP LOCATIONS AND DISTRIBUTION.
  - PROVIDE CONDUIT AS PER RISER DETAIL #9 ON DWG. E-35 FOR TRISORTER CONTROL SYSTEM.
  - REFER TO SUPERVISED VALVE AND FLOW SWITCH SCHEDULE ON DWG. E-33 FOR DETAILS ON TYPICAL FLOORS.



**MOUNTING HEIGHT SCHEDULE (TO TOP OF BOX)**

OUTLET	SUITES	PUBLIC AREA
RECEPTACLE	400 MM AFF.	400 MM AFF.
TV OUTLET	400 MM AFF.	400 MM AFF.
TELEPHONE OUTLET	400 MM AFF.	400 MM AFF.
MULTI-PORT OUTLET	400 MM AFF.	400 MM AFF.
SWITCH	1200 MM AFF.	1200 MM AFF.
SECURITY PANEL	1200 MM AFF.	
SILENCE SWITCHES	1200 MM AFF.	
THERMOSTAT	1200 MM AFF.	1200 MM AFF.
INTERCOM		1200 MM AFF.
V.C. HANDSET		1200 MM AFF.
PULL STATION		1200 MM AFF.

**ELECTRICAL LEGEND**

**LIGHTING**

- FLUORESCENT LIGHT FIXTURE, TYPE AS INDICATED
- TRAY LIGHT OR LIGHT CONNECTED TO EMERGENCY POWER
- CEILING MOUNTED WALL MOUNTED LIGHT FIXTURE, INCORPORATED LETTER IDENTIFY TYPE
- POLE MOUNTED LIGHT FIXTURE, INCORPORATED LETTER IDENTIFY TYPE
- CAPPED CEILING LIGHT OUTLET
- TRACK LIGHT
- STRIP LIGHT
- UNDER CABINET FLUORESCENT LIGHT FIXTURE
- CEILING MOUNTED WALL MOUNTED EXIT SIGN
- TRIANGULAR EMERGENCY LAMP REFLECTOR HEAD
- EMERGENCY BATTERY PACK
- OCCUPANCY SENSOR POWER PACKS
- SINGLE/DOUBLE/THREE POLE SINGLE/DOUBLE/THREE THROW TOGGLE SWITCH RESPECTIVELY
- 1/4" x 3/4" x 1/2" DENOTES 3-WAY/4-WAY FLOOR LIGHT, DIMMER SWITCHED LIGHT RESPECTIVELY
- MASTER LIGHTING SWITCH/OUT SWITCH
- SENSOR WALL SWITCH PIR, SELF POWERED
- OCCUPANCY SENSOR CEILING MOUNTED

**POWER**

- REGULAR DUPLEX RECEPTACLE
- DUPLEX RECEPTACLE GROUND FAULT INTERRUPT
- 3-PORT 1-1/2" DUPLEX RECEPTACLE
- ANGLE RECEPTACLE TYPE AND CONFIGURATION AS SPECIFIED FOR DRIVER
- CONNECTION FOR OVERCLOCK
- SOCKET TYPE
- FLOOR MOUNTED DEVICES
- DISCONNECT SWITCH NON-FUSED
- DISCONNECT SWITCH FUSED
- OPERATION STARTER
- FRACTIONAL MOTOR/FAN DIRECT CONNECTION
- DIRECT CONNECTION SINGLE PHASE
- DIRECT CONNECTION THREE PHASE
- THERMOSTAT
- DRYER SENSOR
- HEAT TRACE
- ELECTRIC HEATER
- ELECTRICAL PANEL / SECURITY PANEL

**TELECOMMUNICATION**

- TV CABLE OUTLET
- TELEPHONE OUTLET
- TELEPHONE / CABLE (MULTI-PORT) OUTLET
- DATA OUTLET
- DATA/TELEPHONE OUTLET
- N SUITE TELECOM BOX (CUI) RECEPTACLE
- WIFI LOCATION
- VIDEO INTERCOM
- RADIO RECEIVER

**SECURITY**

- INTERCOM / ENTERPHONE
- INTERCOM WITH CAMERA
- PANIC BUTTON / PANIC INTERCOM STATION
- CARD READER
- AUTOMATIC RELEASE CARD ACCESS/RADIO RECEIVER
- ELECTRIC STRIKE
- MAGLOCK
- DOOR CONTACT / WINDOW CONTACT
- GLASS BREAK DETECTOR
- AUTOMATIC DOOR OPERATOR
- MOTION DETECTOR
- PUSH BUTTON
- SECURITY CAMERA

**LIFE SAFETY**

- FIRE ALARM SMOKE DETECTOR
- SMOKE ALARM
- FIRE ALARM DUCT TYPE SMOKE DETECTOR
- FIRE ALARM HEAT DETECTOR
- FIXED TEMP. 68 °C DEGREE HEAT DETECTOR
- MOISTURE PROOF HEAT DETECTOR
- CO ALARM
- COMBINATION SMOKE + CO ALARM
- CO SENSOR / NO SENSOR
- FIRE ALARM MANUAL PULL STATION
- FIREFIGHTER'S HANDSET
- FIRE ALARM SPEAKER/SPOKE WALL MTD.
- FIRE ALARM SPEAKER WALL MTD.
- FIRE ALARM SPEAKER/ROOF CEILING MTD.
- FIRE ALARM SPEAKER CEILING MTD.
- FIRE ALARM ANNUNCIATOR PANEL
- FIRE ALARM CONTROL PANEL

**REVISIONS**

NO.	DATE	DESCRIPTION
1		BASED FOR E1 9-SLASHING ACCORDING 11
2		BASED FOR SECURITY TENDER
3		BASED FOR E1 9
4		RE-BASED FOR TENDER
5		BASED FOR TENDER
6		RE-BASED FOR PERMIT
7		BASED FOR PERMIT
8		BASED FOR PERMIT

DATE: 13 FEB 2019

**NOVA TREND CONSULTING**

175 West Beaver Creek Road, Unit 31  
Richmond Hill, Ontario L4B 3M1  
Tel: 905 882-5445  
Fax: 905 882-5441  
Email: cad@novatrendeng.com

**6/F NORTH FLOOR PLAN ELECTRICAL LAYOUT**

PROJECT FILE: ALEXANDRA PARK  
38 CAMERON STREET, BLOCK II TORONTO ONTARIO

DRAWN BY: S.O. CHECKED BY: S.T. SCALE: 1:50  
DATE: FEB, 13 PROJECT NUMBER: 1313 DRAWING NUMBER: E-11 OF