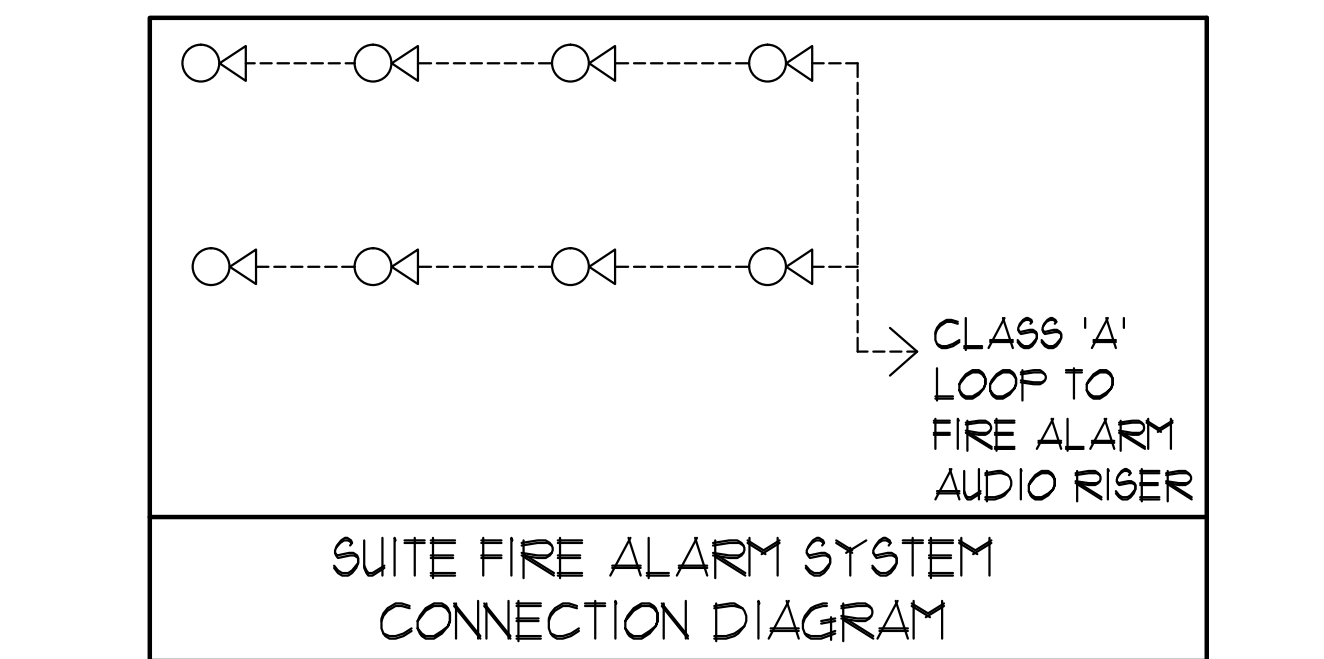




GENERAL AREA CIRCUITING - TABLE #1

LIGHTING FIXTURE LOCATION	CCT.*
F2 TO F1 - EXIT SIGNS	E-1
G/F TO MPH - EXIT SIGNS	E-3
MPH - EXIT SIGNS	ER-1
STAIR 'A' (F2 TO G/F)	E-5
STAIR 'B' (F2 TO G/F)	E-1
STAIR 'U' (G/F TO 4/F)	E-9
STAIR 'U' (B/F TO 9/F)	E-11
STAIR 'G' (G/F TO 14/F)	E-13
STAIR 'F' (G/F TO 14/F)	E-15
STAIR 'K' (14/F TO MPH) 4 MPH (G/F)	ER-3ER-5R-1TR-1B
(G/F)	E-2E-4E-6E-16E-8E-10E-12E-14E-16
(G/F)	B1-2B1-4B1-6B1-8B1-10B1-12B1-14B1-16B1-18B1-20B1-22B1-24B1-26B1-28B1-30B1
(G/F)	E-24
CORRIDOR (2/F 4 3/F)	E-26
CORRIDOR (4/F 4 5/F)	E-26
CORRIDOR (6/F 4 7/F)	E-28
CORRIDOR (8/F TO 11/F)	E-30
CORRIDOR (12/F TO 14/F)	E-32
CORRIDOR 4 LOCKER (2/F)	B-46
CORRIDOR (3/F)	B-48
CORRIDOR (4/F)	B-50
CORRIDOR (5/F 4 6/F)	B-52
CORRIDOR (7/F 4 8/F)	B-54
CORRIDOR (9/F TO 11/F)	B-56
CORRIDOR (12/F TO 14/F)	B-58
ELEVATOR CAB	ER-6 ER-8ER-10
EXTERIOR SITE	E1-E11-3E1-5E1-2E1-4E1-6
RECEPTACLE LOCATION	CCT.*
ELEC. S. CLOSET (G/F TO 9/F)	B-2
ELEC. N. CLOSET (2/F TO 9/F)	B-4
ELEC. N. CLOSET (10/F TO 14/F)	B-6
ELEC. N. CLOSET (22/F TO 32/F)	B-8
ELEV. LOBBY (F2 TO 8/F)	B-10
CORRIDOR (2/F TO 8/F)	B-12B-14B-16B-18B-20B-22B-24
CORRIDOR (2/F TO 5/F)	B-26B-28
ELEV. LOBBY (9 TO 14/F)	B-30
CORRIDOR (9/F TO 14/F)	B-32B-34B-36B-38
STAIR A (G/F) 4 J/B/F/B/F/2/F)	B-40
STAIR F (14/F) F/B/F/B/F/2/F)	B-42
STAIR H (14/F) F/B/F/B/F/2/F)	B-44
STAIR 'K' 4 MPH	R-2

- KEY NOTES - INSUITE:**
- DESIGNATED "LAUNDRY RECEPTACLE" AS DEFINED BY ESA CODE 26-110(6)(11), 26-120(6) AND ESA BULLETIN 26-26-0 (WITHIN 3m RADIUS OF LAUNDRY CLOSET). RECEPTACLE SHALL BE CONNECTED TO A DEDICATED CIRCUIT. SEE DETAIL #4 ON DUG. E-35.
 - SUITE DOOR CONTACTS AND GLASS BREAK DETECTOR WILL COMPLETE WITH INTRUSION ALARM SYSTEM THAT CONTACT TO THE CONCIERGE STATION. (TYPICAL)
 - FOR FAN COIL UNITS (FCU) ELECTRICAL CONTRACTOR TO SUPPLY AND INSTALL CONDUIT AND JUNCTION BOX FOR REMOTE THERMOSTAT. MECHANICAL CONTRACTOR SHALL SUPPLY, WIRE, TERMINATE WIRING AND MOUNT THERMOSTAT.
 - INSTALL SIDE-MOUNTED RECEPTACLE ON KITCHEN ISLAND CABINET.
 - SWITCHES, RECEPTACLES, ETC. TO BE INSTALLED AS TO NOT INTERFERE WITH THE OPENING AND OPERATION OF SLIDING DOOR.



MOUNTING HEIGHT SCHEDULE (TO TOP OF BOX)

OUTLET	SUITES	PUBLIC AREA
RECEPTACLE	400 MM AFF.	400 MM AFF.
TV OUTLET	400 MM AFF.	400 MM AFF.
TELEPHONE OUTLET	400 MM AFF.	400 MM AFF.
MULTI-PORT OUTLET	400 MM AFF.	400 MM AFF.
SWITCH	1200 MM AFF.	1200 MM AFF.
SECURITY PANEL	1200 MM AFF.	
SILENCE SWITCHES	1200 MM AFF.	
THERMOSTAT	1200 MM AFF.	1200 MM AFF.
INTERCOM		1200 MM AFF.
V.C. HANDSET		1200 MM AFF.
FULL STATION		1200 MM AFF.

- GENERAL NOTES - RESIDENTIAL:**
- ELECTRICAL DRAWINGS SHALL BE READ IN CONJUNCTION WITH MECHANICAL, STRUCTURAL, ARCHITECTURAL AND LANDSCAPE DRAWINGS.
 - CONTRACTOR SHALL RUN CABLES WITHIN CEILING SLAB OR ENCLOSURES TO RETAIN 2 HOUR FIRE PROTECTION RATING FOR ALL LOADS THAT CONNECT TO EMERGENCY POWER.
 - FIRE ALARM RISERS SHALL BE RUN IN 2 HOUR FIRE RATED ELECTRICAL CLOSET. REFER TO DUG. E-32 FOR RISER DIAGRAM AND DETAILS.
 - STAIRWAY WALL MOUNTED EMERGENCY LIGHT FIXTURES SHALL BE MOUNTED @ 1' AFF. MIN.
 - FOR STORAGE ROOM VENTILATION SYSTEM, DIV. 16 TO PROVIDE CONDUIT, WIRING AND SWITCH (S) TO START/STOP FAN AND DAMPER. FAN AND 110V ACTUATOR TO BE SUPPLIED AND INSTALLED BY DIV. 15.
 - FOR UTILITY ROOM VENTILATION SYSTEM, DIV. 15 WILL PROVIDE LINE VOLTAGE THERMOSTAT (T) TO DIV. 16. DIV. 16 TO PROVIDE CONDUIT AND WIRING TO START/STOP FAN AND DAMPER VIA THERMOSTAT. FAN AND 110V ACTUATOR TO BE SUPPLIED AND INSTALLED BY DIV. 15.

- KEY NOTES - RESIDENTIAL - COMMON AREA:**
- FOR CIRCUITING, REFER TO TABLE #1.
 - PROVIDE ALARM SPEAKER, SMOKE DETECTOR AND RECEPTACLE AT EVERY THIRD FLOOR STAIR WELL STARTING FROM TOP FLOOR, AS PER TO DUG. E-32 FOR FIRE ALARM RISER DIAGRAM.
 - PROVIDE TELECOMMUNICATION BACKBOARD C/W 15V, 1A, 15A RECEPTACLE AS PER COMMUNICATION RISER DIAGRAM ON DUG. E-31.
 - CONTRACTOR SHALL REFER TO ELECTRICAL SINGLE LINE DIAGRAM ON DUG. E-30 AND SDP RISER ON DUG. E-31 FOR SDP LOCATIONS AND DISTRIBUTION.
 - PROVIDE CONDUIT AS PER RISER DETAIL #9 ON DUG. E-35 FOR TRISORTER CONTROL SYSTEM.
 - REFER TO SUPERVISED VALVE AND FLOW SWITCH SCHEDULE ON DUG. E-33 FOR DETAILS ON TYPICAL FLOORS.

ELECTRICAL LEGEND

LIGHTING

- FLUORESCENT LIGHT FIXTURE, TYPE AS INDICATED
- TRUCK LIGHT
- STRIP LIGHT
- UNDER CABINET FLUORESCENT LIGHT FIXTURE
- CEILING MOUNTED WALL MOUNTED LIGHT FIXTURE, INCORPORATED LETTER DENOTES TYPE
- POLE MOUNTED LIGHT FIXTURE, INCORPORATED LETTER DENOTES TYPE
- CARPETED CEILING LIGHT OUTLET
- EMERGENCY LIGHT
- EMERGENCY LIGHT FIXTURE
- EMERGENCY LIGHT FIXTURE WITH PHOTO HEAD
- EMERGENCY BATTERY PACK
- OCCUPANCY SENSOR POWER PACKS
- SINGLE/TWO/THREE POLE SINGLE/THREE/THREE THROTTLE SWITCH RESPECTIVELY
- 1/4" x 1/4" x 1/4" DENOTES 3-WAY 4-WAY FLOOR LIGHT, DIMMER SWITCHED LIGHT RESPECTIVELY
- MASTER LIGHTING SHUT-OFF SWITCH
- SENSOR WALL SWITCH FIR. SELF POWERED
- OCCUPANCY SENSOR GELING MOUNTED

POWER

- REGULAR DUPLEX RECEPTACLE
- DUPLEX RECEPTACLE GROUND FAULT INTERRUPT
- 3-POLE 1-100V DUPLEX RECEPTACLE
- TRUCK RECEPTACLE TYPE AND CONFIGURATION AS SPECIFIED FOR DRIVER
- CONNECTION FOR OVEN/COOKTOP
- DISCONNECT SWITCH DEVICES
- CEILING MOUNTED DEVICES
- FLOOR MOUNTED DEVICES
- DISCONNECT SWITCH NON-FUSED
- DISCONNECT SWITCH FUSED
- OPERATION STARTER
- FRACTIONAL MOTOR/FAN DIRECT CONNECTION
- DIRECT CONNECTION SINGLE PHASE
- DIRECT CONNECTION THREE PHASE
- THERMOSTAT
- DRYER SENSOR
- HEAT TRACE
- ELECTRICAL HEATER
- ELECTRICAL PANEL / SECURITY PANEL

TELECOMMUNICATION

- TV/CABLE OUTLET
- TELEPHONE OUTLET
- TELEPHONE / CABLE (MULTI-PORT) OUTLET
- DATA OUTLET
- DATA/TELEPHONE OUTLET
- IN SUITE TELECOM BOX C/W RECEPTACLE
- WIFI LOCATION
- VIDEO INTERCOM
- RADIO RECEIVER

SECURITY

- INTERCOM / ENTERPHONE
- INTERCOM WITH CAMERA
- INTERCOM WITH CAMERA
- PANIC BUTTON / PANIC INTERCOM STATION
- CARD READER
- AUTOMATIC RELEASE CARD ACCESS/RADIO RECEIVER
- ELECTRIC STRIKE
- MAGLOCK
- DOOR CONTACT / WINDOW CONTACT
- GLASS BREAK DETECTOR
- AUTOMATIC DOOR OPERATOR
- MOTION DETECTOR
- PUSH BUTTON
- SECURITY CAMERA

LIFE SAFETY

- FIRE ALARM SMOKE DETECTOR
- SMOKE ALARM
- FIRE ALARM DUST TYPE SMOKE DETECTOR
- FIRE ALARM HEAT DETECTOR
- FIXED TEMP. 68 °C DEGREE HEAT DETECTOR
- GO ALARM
- MOISTURE PROOF HEAT DETECTOR
- GO ALARM
- CONVICTION SMOKE 4 GO ALARM
- GO SENSOR / NO SENSOR
- FIRE ALARM MANUAL PULL STATION
- FIRE FIGHTER'S HANDSET
- FIRE ALARM SPEAKER/SNOBBE WALL MTD.
- FIRE ALARM SPEAKER/WALL MTD.
- FIRE ALARM SPEAKER/SNOBBE CEILING MTD.
- FIRE ALARM SPEAKER CEILING MTD.
- MOTION DETECTOR
- PUSH BUTTON
- SECURITY CAMERA

REVISIONS

NO.	DATE	DESCRIPTION
0001		ISSUED FOR B1-E-6
0002		ISSUED FOR B1-E-SLASHING ACCIDENT #1
0003		ISSUED FOR SECURITY TENDER
0004		ISSUED FOR B1-E-5
0005		RE-BASED FOR TENDER
0006		RE-BASED FOR TENDER
0007		RE-BASED FOR TENDER
0008		RE-BASED FOR TENDER
0009		RE-BASED FOR TENDER
0010		RE-BASED FOR TENDER
0011		RE-BASED FOR TENDER
0012		RE-BASED FOR TENDER
0013		RE-BASED FOR TENDER
0014		RE-BASED FOR TENDER
0015		RE-BASED FOR TENDER
0016		RE-BASED FOR TENDER
0017		RE-BASED FOR TENDER
0018		RE-BASED FOR TENDER
0019		RE-BASED FOR TENDER
0020		RE-BASED FOR TENDER
0021		RE-BASED FOR TENDER
0022		RE-BASED FOR TENDER
0023		RE-BASED FOR TENDER
0024		RE-BASED FOR TENDER
0025		RE-BASED FOR TENDER
0026		RE-BASED FOR TENDER
0027		RE-BASED FOR TENDER
0028		RE-BASED FOR TENDER
0029		RE-BASED FOR TENDER
0030		RE-BASED FOR TENDER
0031		RE-BASED FOR TENDER
0032		RE-BASED FOR TENDER
0033		RE-BASED FOR TENDER
0034		RE-BASED FOR TENDER
0035		RE-BASED FOR TENDER
0036		RE-BASED FOR TENDER
0037		RE-BASED FOR TENDER
0038		RE-BASED FOR TENDER
0039		RE-BASED FOR TENDER
0040		RE-BASED FOR TENDER
0041		RE-BASED FOR TENDER
0042		RE-BASED FOR TENDER
0043		RE-BASED FOR TENDER
0044		RE-BASED FOR TENDER
0045		RE-BASED FOR TENDER
0046		RE-BASED FOR TENDER
0047		RE-BASED FOR TENDER
0048		RE-BASED FOR TENDER
0049		RE-BASED FOR TENDER
0050		RE-BASED FOR TENDER
0051		RE-BASED FOR TENDER
0052		RE-BASED FOR TENDER
0053		RE-BASED FOR TENDER
0054		RE-BASED FOR TENDER
0055		RE-BASED FOR TENDER
0056		RE-BASED FOR TENDER
0057		RE-BASED FOR TENDER
0058		RE-BASED FOR TENDER
0059		RE-BASED FOR TENDER
0060		RE-BASED FOR TENDER
0061		RE-BASED FOR TENDER
0062		RE-BASED FOR TENDER
0063		RE-BASED FOR TENDER
0064		RE-BASED FOR TENDER
0065		RE-BASED FOR TENDER
0066		RE-BASED FOR TENDER
0067		RE-BASED FOR TENDER
0068		RE-BASED FOR TENDER
0069		RE-BASED FOR TENDER
0070		RE-BASED FOR TENDER
0071		RE-BASED FOR TENDER
0072		RE-BASED FOR TENDER
0073		RE-BASED FOR TENDER
0074		RE-BASED FOR TENDER
0075		RE-BASED FOR TENDER
0076		RE-BASED FOR TENDER
0077		RE-BASED FOR TENDER
0078		RE-BASED FOR TENDER
0079		RE-BASED FOR TENDER
0080		RE-BASED FOR TENDER
0081		RE-BASED FOR TENDER
0082		RE-BASED FOR TENDER
0083		RE-BASED FOR TENDER
0084		RE-BASED FOR TENDER
0085		RE-BASED FOR TENDER
0086		RE-BASED FOR TENDER
0087		RE-BASED FOR TENDER
0088		RE-BASED FOR TENDER
0089		RE-BASED FOR TENDER
0090		RE-BASED FOR TENDER
0091		RE-BASED FOR TENDER
0092		RE-BASED FOR TENDER
0093		RE-BASED FOR TENDER
0094		RE-BASED FOR TENDER
0095		RE-BASED FOR TENDER
0096		RE-BASED FOR TENDER
0097		RE-BASED FOR TENDER
0098		RE-BASED FOR TENDER
0099		RE-BASED FOR TENDER
0100		RE-BASED FOR TENDER

NOVA TREND CONSULTING

175 West Beaver Creek Road, Unit 31
Richmond Hill, Ontario L4B 3M1
Tel: 905-882-5445
Fax: 905-882-5441
Email: info@novatrend.com

REVISIONS

CONTRACTOR MUST CHECK AND VERIFY ALL DIMENSIONS AND CONDITIONS ON THE JOB AND REPORT DISCREPANCIES TO THE ENGINEER BEFORE PROCEEDING WITH THE WORK. THIS DRAWING IS THE PROPERTY OF THE ENGINEER AND WILL BE RETURNED UPON COMPLETION OF THE WORK.

DRAWINGS ARE NOT TO BE SCALED.

NOVA TREND CONSULTING

175 West Beaver Creek Road, Unit 31
Richmond Hill, Ontario L4B 3M1
Tel: 905-882-5445
Fax: 905-882-5441
Email: info@novatrend.com

DRAWING TITLE
3/F NORTH FLOOR PLAN
ELECTRICAL LAYOUT

PROJECT FILE
ALEXANDRA PARK

38 CAMERON STREET, BLOCK II
TORONTO ONTARIO

DRAWN BY: S.O. **CHECKED BY:** S.T. **SCALE:** 1:50

DATE: FEB, 13 **PROJECT NUMBER:** 1313 **DRAWING NUMBER:** E-11 **OF** 07