

UNIT	NAME	AREA (SQ. FT.)	# OF UR	# OF POWDER	SIZE (T)	FIXTURE UNITS	BR	SQ. FT./T
901	1A-MR	525	2	0	1	16	1	525
902	1E-D4	660	2	0	1	16	1	660
905	3BR3	980	2	1	2	22	1	490
908	3B	980	2	1	2	22	2	490
910	1F-D3	660	2	0	1	16	1	660
911	1C-D	590	2	0	1	16	1	590
912	1C-D2	590	2	0	1	16	1	590
913	1C-D3	590	2	0	1	16	1	590
928	2W	660	1	0	1.5	10	2	440
929	1A-M2	580	1	0	1	10	1	580

GRILLE SIZING TABLE

DESIGNATION	SIZE	L/S (VALUES SPECIFIED IN BRACKET)
SG-A	300x100	41-10
SG-B	300x150	71-93
SG-C	400x150	94-140
SG-D	450x150	141-108
EG-A	150x150	35
W-1	225x200	210mm(L)
W-2	425x200	INSULATED WALL BOX
W-3	625x200	INSULATED WALL BOX

VERTICAL FAN COIL SIZE

DESIGNATION	MODEL	W x D
FCU-1T	450	508x660
FCU-1BT	600	508x660
FCU-2T	800	508x660
FCU-2BT	1000	559x660
FCU-3T	1200	559x660

NOTE:
A MIN. OF 125mm IS REQUIRED ON THE SIDE OF PIPE RISER.

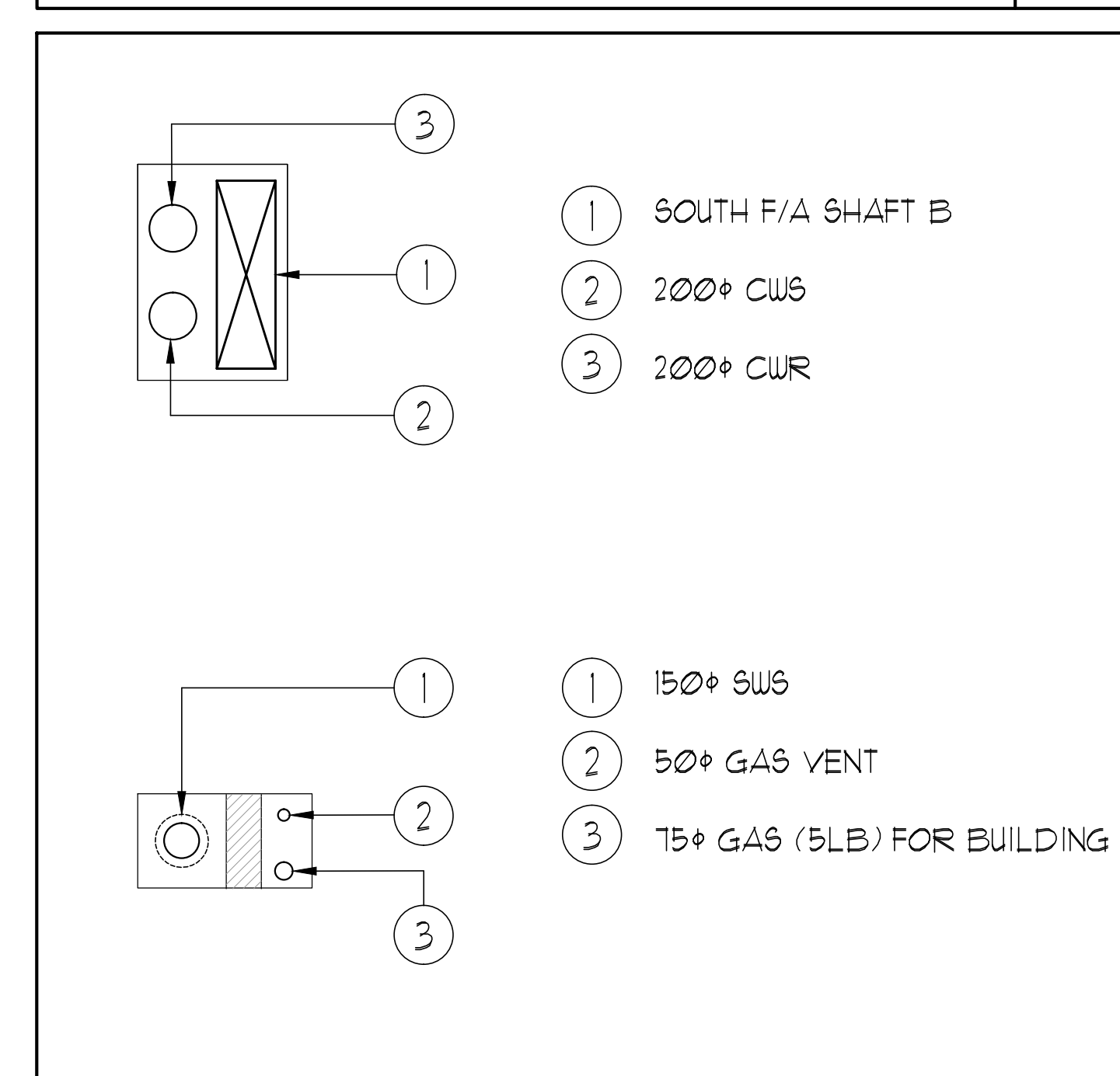
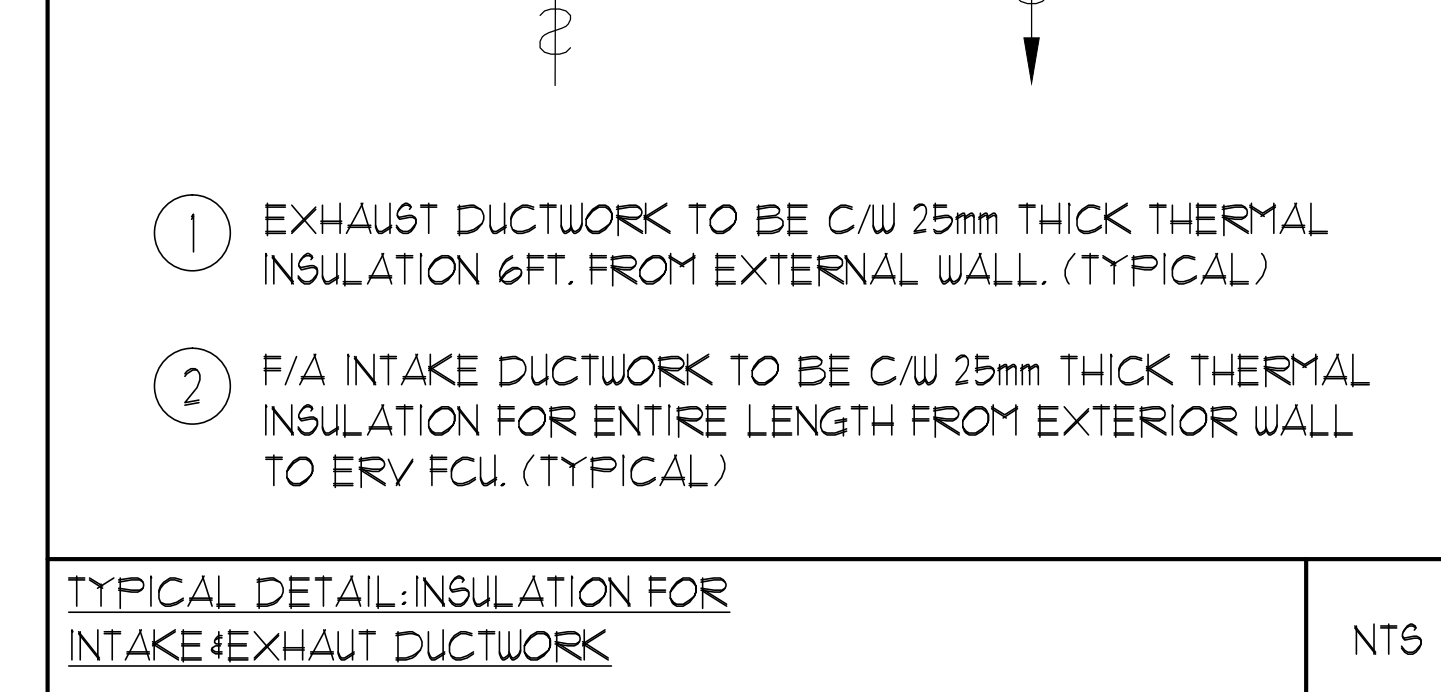
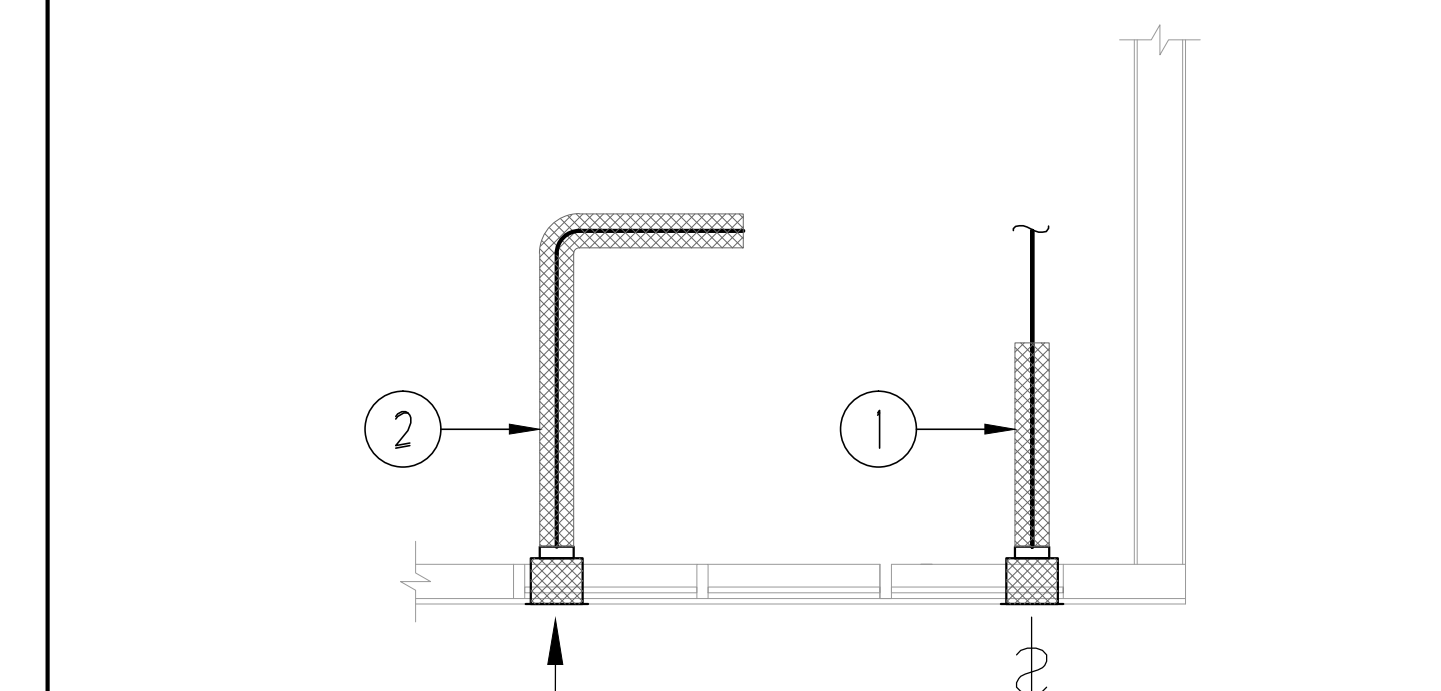
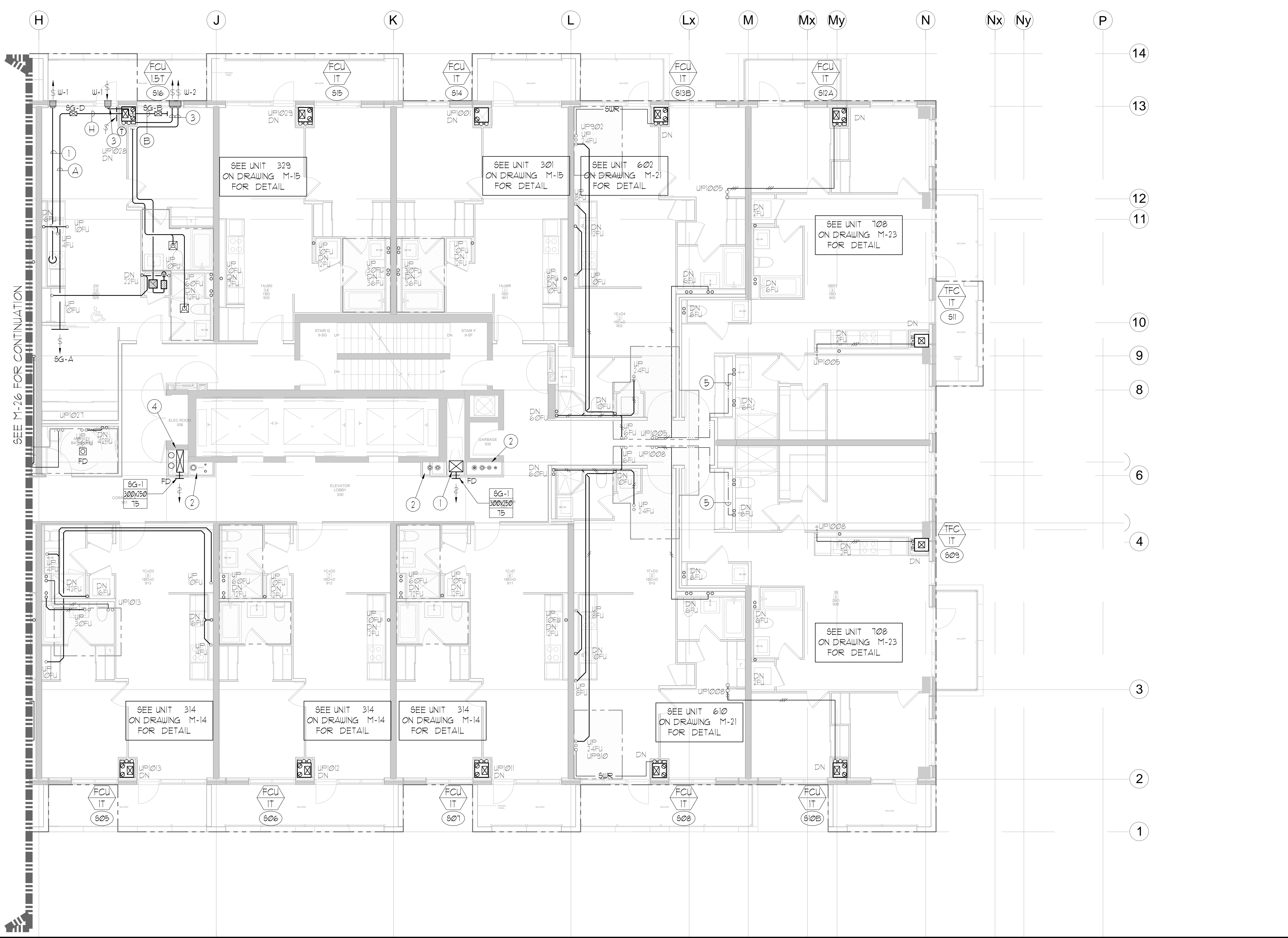
DUCT SIZING TABLE
(4.06 m/s, 800 FPM)

DESIGNATION	L/S	DUCT SIZE	DESIGNATION	L/S	DUCT SIZE
(A)	41	100x150	(G)	109	350x150
(B)	71	150x150	(H)	236	450x150
(C)	94	200x150	(J)	283	500x150
(D)	118	200x150	(K)	330	600x150
(E)	141	250x150	(L)	377	500x200
(F)	165	300x150			

- GENERAL NOTES:**
- CONTRACTOR SHALL CO-ORDINATE ARCHITECTURAL, STRUCTURAL, LIGHTING, HVAC, SPRINKLER DRAWINGS TO AVOID AREAS OF CONFLICT AND TO MAINTAIN CEILING HEIGHTS.
 - CONTRACTOR SHALL REPORT ALL DISCREPANCIES AND AREA OF CONFLICTS TO THE ENGINEER PRIOR TO WORK BEGINS.
 - PROVIDE EXPANSION CHAMBERS FOR ALL KITCHEN SINKS.
 - SEE INSTALLATION DETAILS DRAWING FOR WASHER DOME H/C WATER, SANITARY CONNECTION DETAILS.
 - SUPPLY AND INSTALL COMPLETE DOMESTIC HOT AND COLD WATER LINES, SANITARY AND VENT LINES TO EACH FIXTURE/EQUIPMENT INCLUDING WATER CLOSETS, LAVATORIES, BATHS, SHOWERS, KITCHEN SINK, WASHING MACHINES, DISHWASHERS, AND FLOOR DRAINS, KITCHEN SINK, LAVATORIES, WATER CLOSETS AND WASHING MACHINE TO BE C/W LOCALIZED SHUT-OFF VALVES.
 - ALL VENT PIPE INSTALLATION TO COMPLY WITH PLUMBING CODES.
 - FOR D.H.C. W. RISER SIZES, REFER TO RISER DIAGRAM
 - FIRE DAMPERS ARE REQUIRED TO BE LISTED AND ARE TO HAVE FIRE PROTECTION RATING OF THE PENETRATED FIRE SEPARATION.
 - THE PIPING PENETRATING THE VARIOUS FIRE SEPARATION IS REQUIRED TO BE FIRESTOPPED WITH A LISTED FIRESTOPPING MATERIAL IN ACCORDANCE WITH OBC ARTICLE 3.10.1
 - THE FIRE HOSE CABINET THAT ARE RECESSED INTO THE EXIT STAIR SHAFTS ARE REQUIRED TO BE SEPARATED FROM THE EXIT STAIR BY A 2 HR. FIRE SEPARATION.
 - NO FLEXIBLE DUCT SHALL BE USED FOR ANY IN-SUITE DUCTWORK.
 - PROVIDE 25MM EXTERNAL INSULATION TO ENTIRE FRESH AIR DUCT FROM EXTERIOR WALL TO ERY FAN COIL UNIT.
 - DRYER EXHAUST DUCT SHALL BE SMOOTH AND CORROSION-RESISTANT MATERIAL (FLEXIBLE CONNECTION IS NOT ACCEPTABLE).

LEGEND MECHANICAL

SYMBOL	DESCRIPTION
[Symbol]	SUPPLY AIR DIFFUSER
[Symbol]	SUPPLY AIR NOZZLE
[Symbol]	LINEAR SUPPLY DIFFUSER
[Symbol]	FAN MATCH
[Symbol]	RETURN AIR GRILLE
[Symbol]	EXHAUST AIR GRILLE
[Symbol]	SUPPLY DUCT UP
[Symbol]	SUPPLY DUCT DOWN
[Symbol]	RETURN DUCT UP
[Symbol]	RETURN DUCT DOWN
[Symbol]	EXHAUST DUCT UP
[Symbol]	EXHAUST DUCT DOWN
[Symbol]	FIRE DAMPER
[Symbol]	BALANCING DAMPER
[Symbol]	HORIZONTAL DAMPER
[Symbol]	HORIZONTAL FIRE DAMPER
[Symbol]	BACKDRAFT DAMPER
[Symbol]	SPRINGED BLADE VALVE/FIRE CONTROL DAMPER
[Symbol]	CALL LOCKING DAMPER
[Symbol]	TUNING VANES
[Symbol]	FLEXIBLE CONNECTION
[Symbol]	ACOUSTIC INSULATION
[Symbol]	TYPE OF EQUIPMENT
[Symbol]	EQUIPMENT IDENTIFICATION
[Symbol]	TYPE OF DIFFUSER OR GRILLE
[Symbol]	WALL SIZE OR OTHER RESTRICTION
[Symbol]	AREA/LOAD (SQ. FT. OR L/S)
[Symbol]	EXHAUST (FRESH AIR / FRESH)
[Symbol]	IN-SUITE ERY MASTER SWITCH
[Symbol]	FAN MATCH / IN-SUITE ERY OVERRIDE BUTTON
[Symbol]	CO BROOM
[Symbol]	GAS LINE
[Symbol]	GAS METER
[Symbol]	GAS DOOR
[Symbol]	PRESSURE REDUCING VALVE
[Symbol]	SANITARY ABOVE GRADE
[Symbol]	SANITARY BELOW GRADE
[Symbol]	STONE ABOVE GRADE
[Symbol]	STONE BELOW GRADE
[Symbol]	DOMESTIC COLD WATER
[Symbol]	DOMESTIC HOT WATER
[Symbol]	SANITARY VENT
[Symbol]	WATER METER
[Symbol]	FLOOR DRAIN
[Symbol]	WATER METER
[Symbol]	WATER METER
[Symbol]	ROOF DRAIN
[Symbol]	ROOF DRAIN
[Symbol]	ROOF DRAIN
[Symbol]	AREA DRAIN
[Symbol]	B-LEVEL AREA DRAIN
[Symbol]	DRYER BURNER
[Symbol]	SANITARY TRAP
[Symbol]	ELBOW UP
[Symbol]	ELBOW DOWN
[Symbol]	WALL CLEANOUT
[Symbol]	FLOOR CLEANOUT
[Symbol]	HOSE BIBS
[Symbol]	NON-FREEZE HOSE BIBS
[Symbol]	DOOR VALVE
[Symbol]	SLATE VALVE
[Symbol]	BALL VALVE
[Symbol]	BUTTERFLY VALVE
[Symbol]	PRESSURE REDUCING VALVE
[Symbol]	CHECK VALVE
[Symbol]	CAP
[Symbol]	COMPRESSED AIR OUTLET
[Symbol]	BACKFLOW PREVENTER
[Symbol]	ENROUTE BALANCING VALVE
[Symbol]	FILTER PIPES
[Symbol]	TEMPERATURE SENSOR
[Symbol]	2-WAY MODULATING VALVE
[Symbol]	3-WAY MODULATING VALVE
[Symbol]	12" (4" O.D.) THERMOPIL
[Symbol]	C/W UP BUSHING / 1/2" PLUG
[Symbol]	FLOOR ELEVATION ABOVE SLAB
[Symbol]	FLOOR ELEVATION THIS LEVEL
[Symbol]	ROOFTOP FLOOR TO US HEIGHT



REFER TO DIAG. M-X FOR ACOUSTIC NOTES

CLEAR FLOOR TO UNDERSLAB + 250mm
ALL UNITS CLEAR PRODUCT + 250mm
EXCEPT UNITS: 905/908 CLEAR PRODUCT + 2100mm
UNITS 905/908/919/921 DRAINS FROM TERRACE ON 10/F

- NOTES:**
- NORTH F/A SERVING FROM G/F TO 14/F. F/A DUCT SERVING CORRIDOR FROM G/F TO 14/F. SEE VENTILATION RISER DIAGRAM FOR DETAILS.
 - PIPE SHAFT - REFER TO PIPE DIAGRAM FOR DETAILS.
 - 150# KITCHEN / DRYER / W/R / FCU INTAKE / FCU EXHAUST DUCT. (TYPICAL UNLESS OTHERWISE NOTED)
 - SOUTH F/A SHAFT B FROM G/F TO 14/F DUCT SERVING CORRIDOR FROM 9/F TO 14/F. SEE VENTILATION RISER DIAGRAM FOR DETAILS.
 - 19# DHWR.



REVISIONS

NO.	DESCRIPTION	DATE	BY

REVISIONS

CONTRACTOR SHALL REPORT ALL DISCREPANCIES AND AREA OF CONFLICTS TO THE ENGINEER PRIOR TO WORK BEGINS.

PROJECTIONS AND DIMENSIONS TO BE SHOWN ON THE DRAWINGS SHALL BE IN ACCORDANCE WITH THE REQUIREMENTS OF THE ENGINEER AND MUST BE RETAINED UPON COMPLETION OF THE WORK.

DRAWINGS ARE NOT TO BE SCALED

NOVA
MECHANICAL ENGINEERS

175 West Beaver Creek Road, Unit 31
Richmond Hill, Ontario L4B 3M1
Tel: 905-883-5445
Fax: 905-883-5441
Email: cad@novastandeng.com

PROJECT NO: 1313
PROJECT NAME: ALEXANDRA PARK
PROJECT TITLE: 9/F NORTH MECHANICAL LAYOUT
SCALE: 1:50
DATE: FEB, 13 2013
DRAWING NUMBER: M-21 OF 33