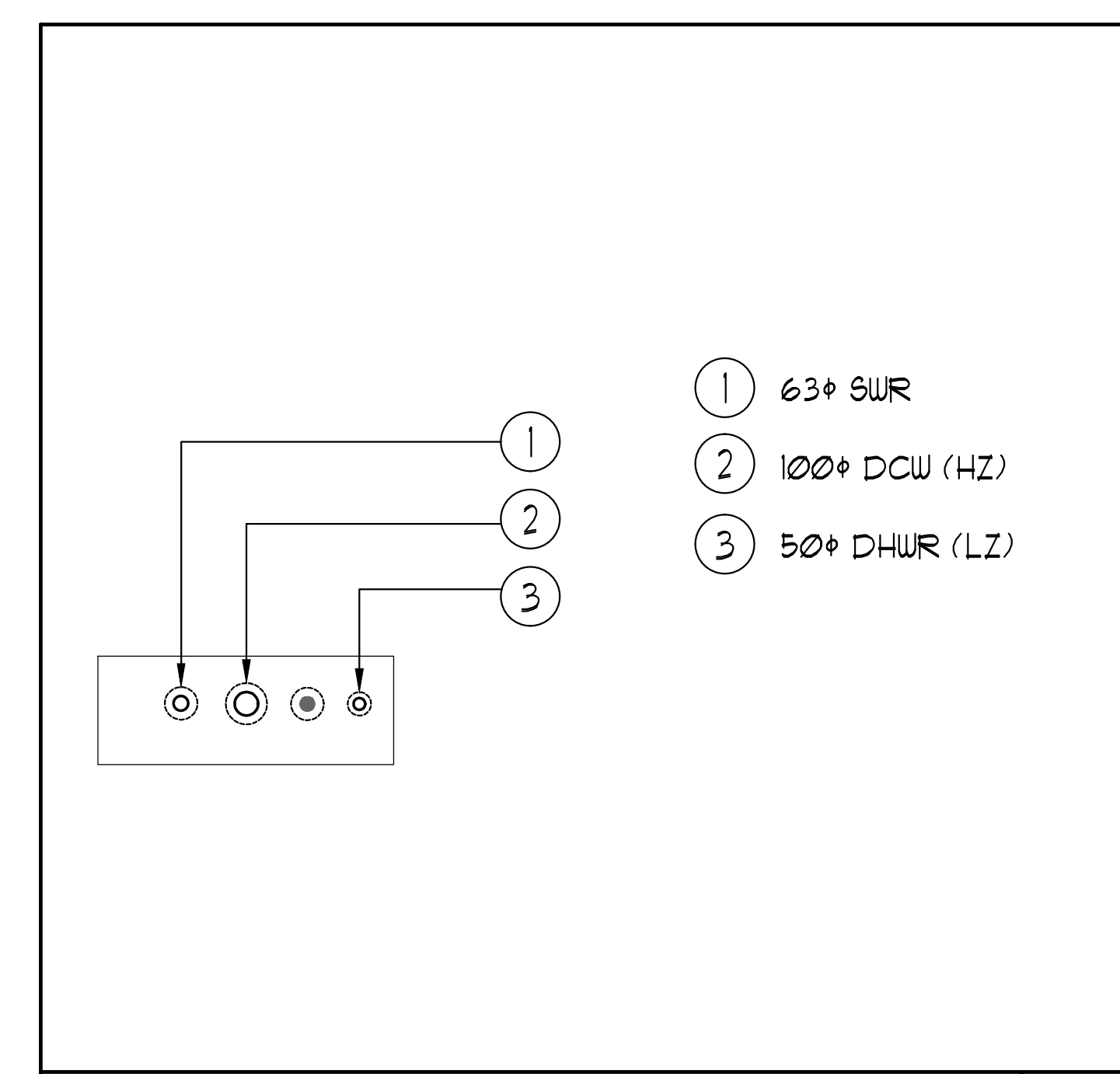
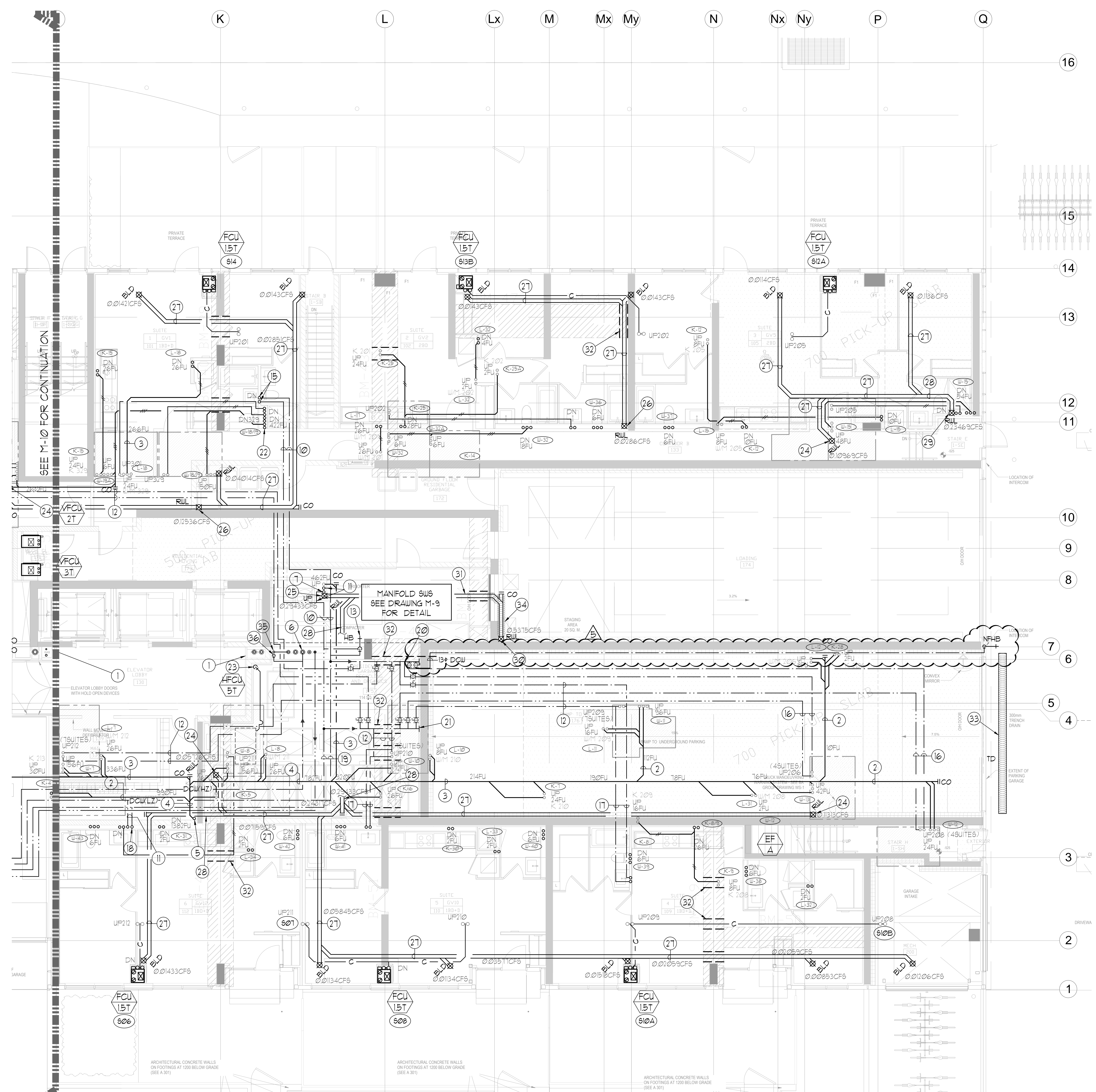
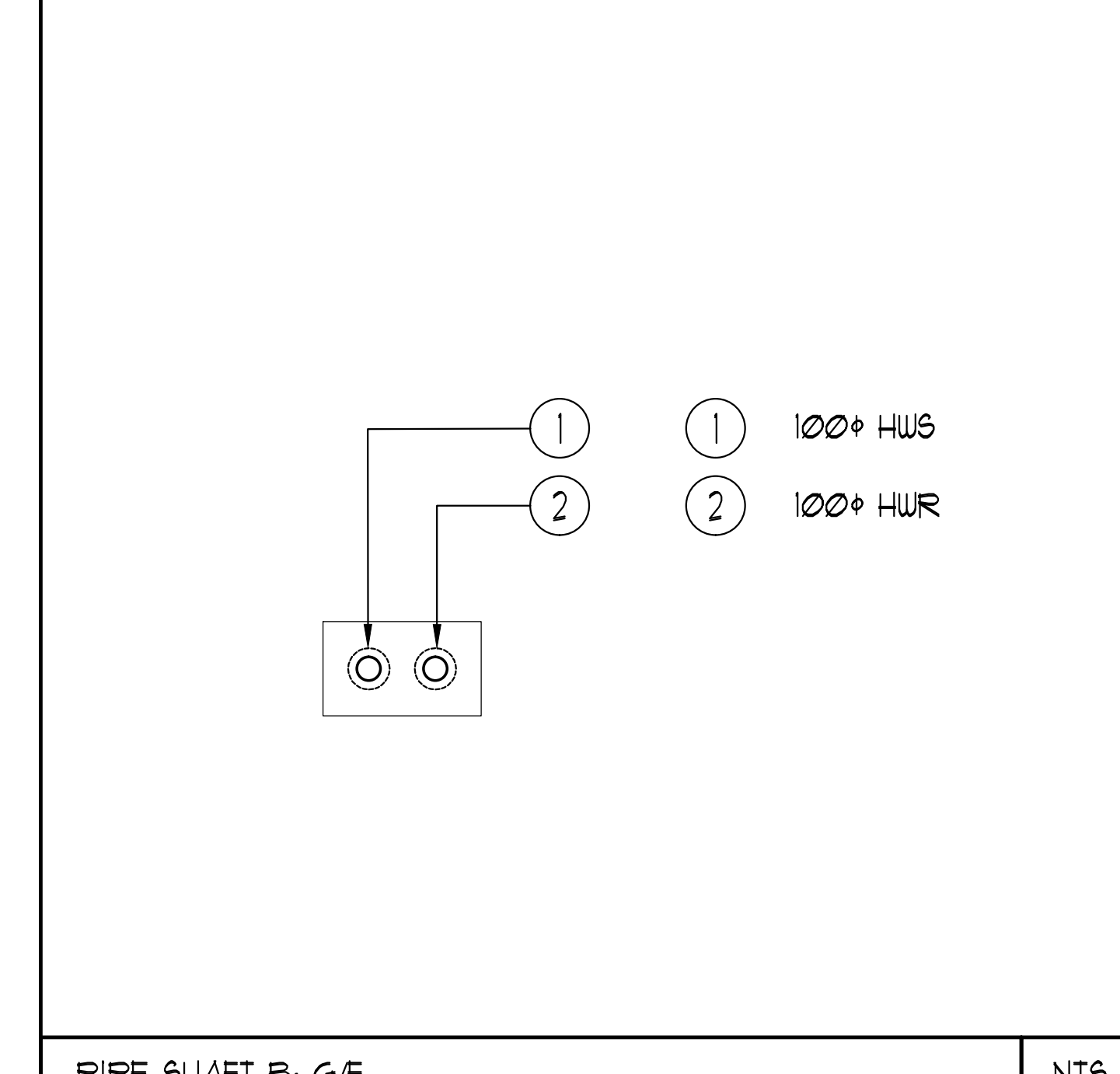


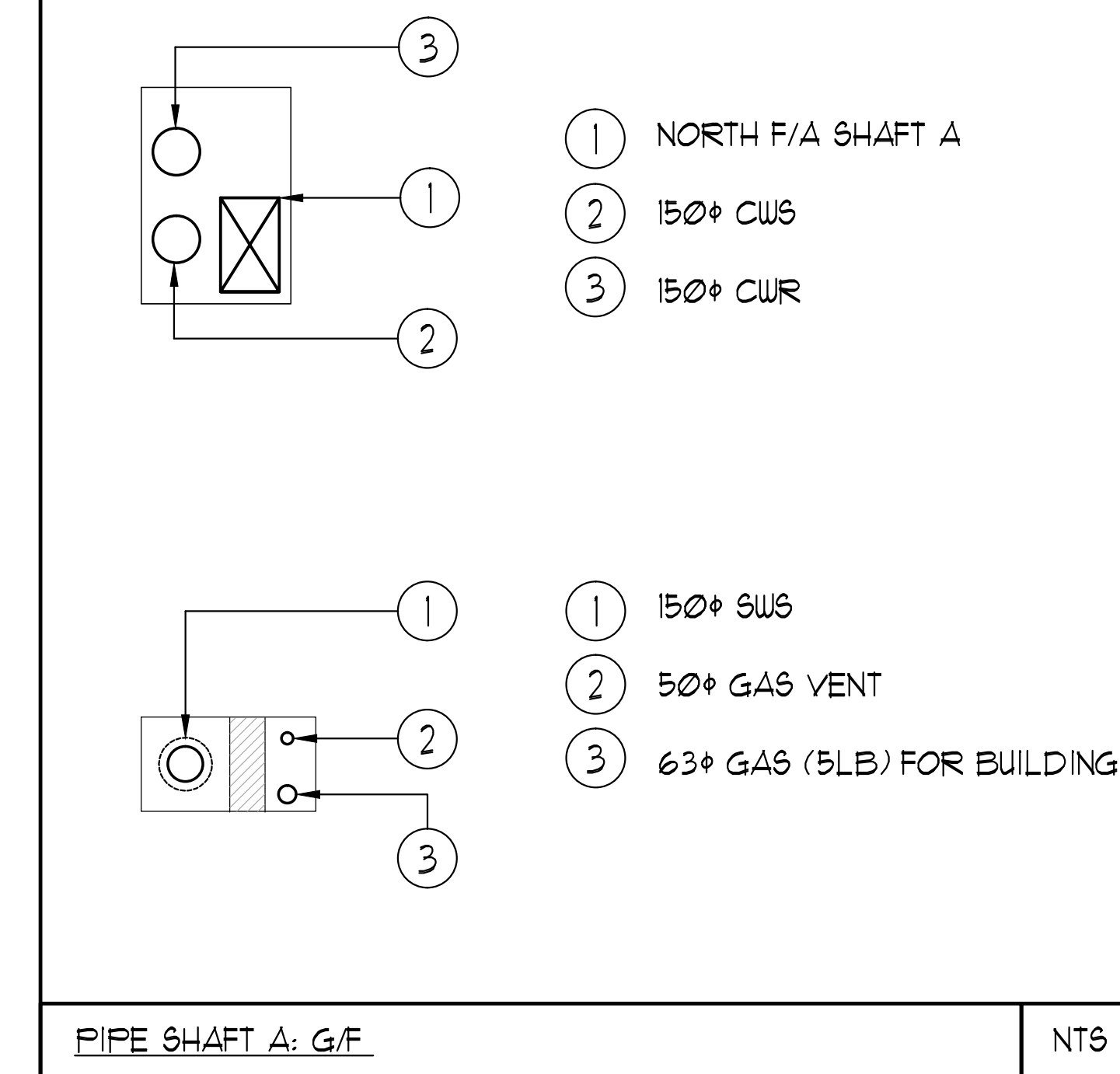
Drawing Name: V:\projects\Current\Drawings\1313 - Alexandra Park\1313 - 1107 P4D - 0001M - 4 NORTH HVAC R4D LAYOUT.dwg
 Date: May 12, 2010 - 4:14pm
 Project: 1313 - 1107 P4D - 0001M - 4 NORTH HVAC R4D LAYOUT.dwg



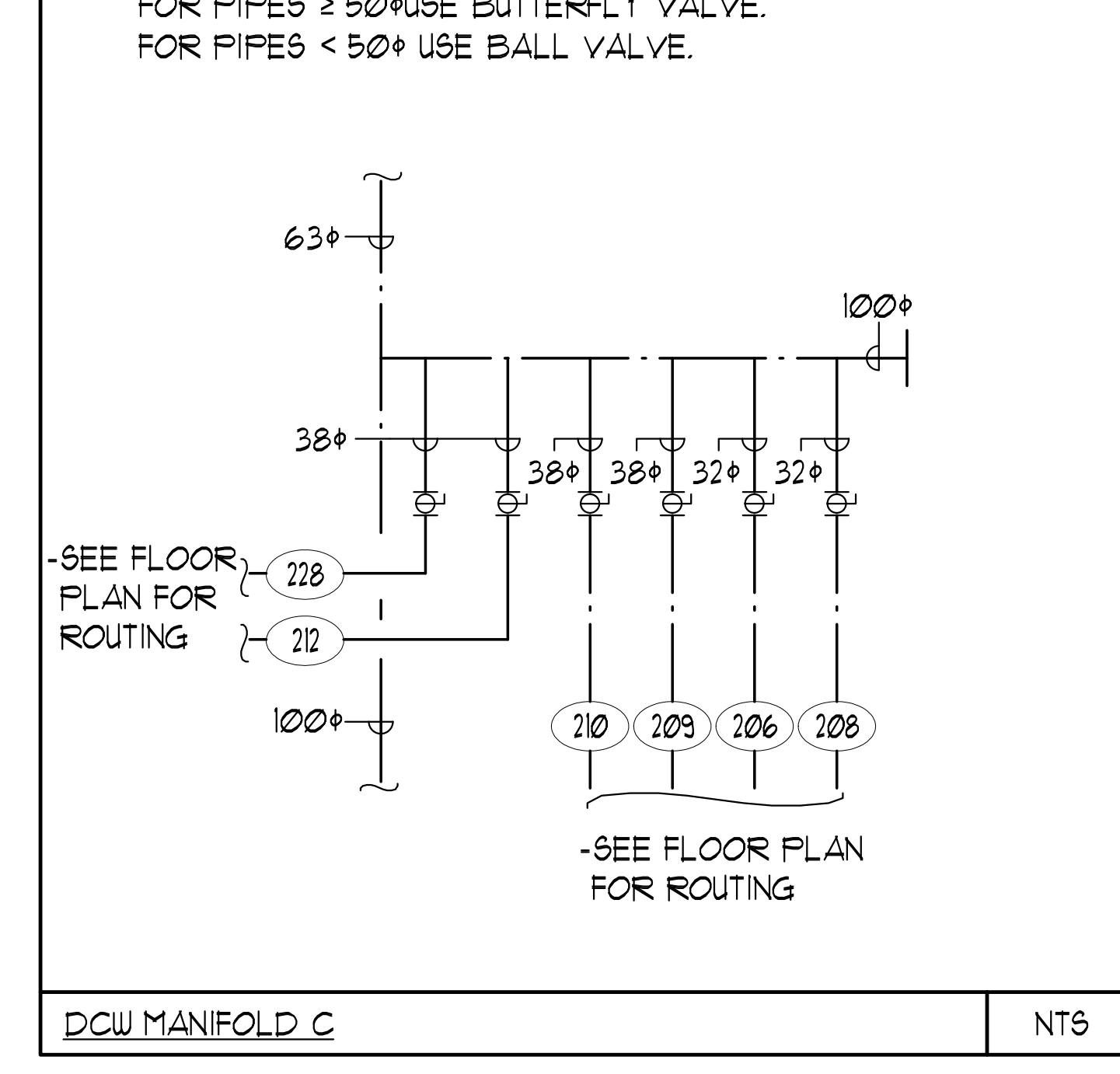
PIPE SHAFT C, G/F NTS



PIPE SHAFT B, G/F NTS



PIPE SHAFT A, G/F NTS



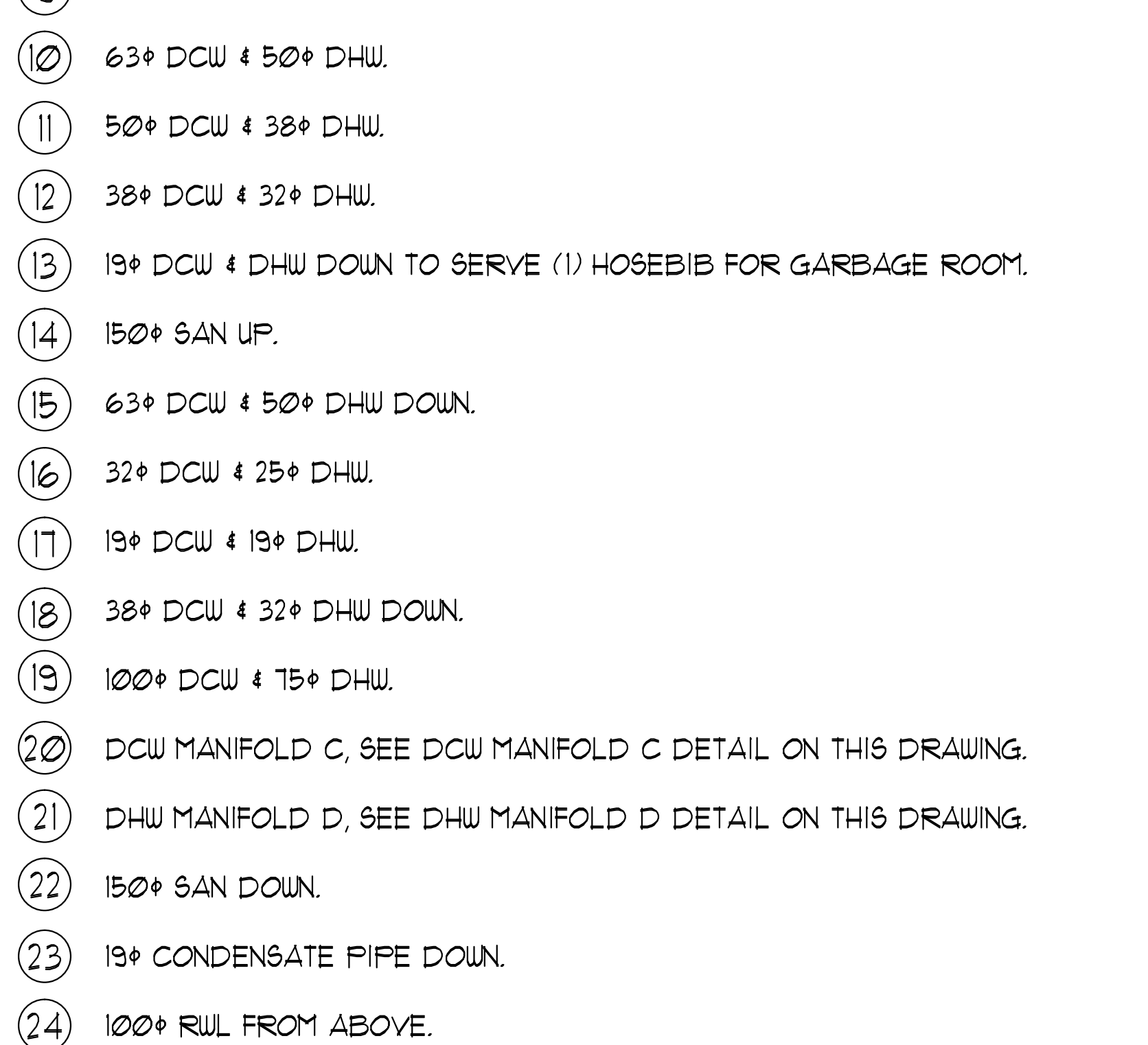
DCU MANIFOLD C NTS

REFER TO DWG M-6 FOR GENERAL NOTES AND M-9 FOR ACOUSTIC NOTES

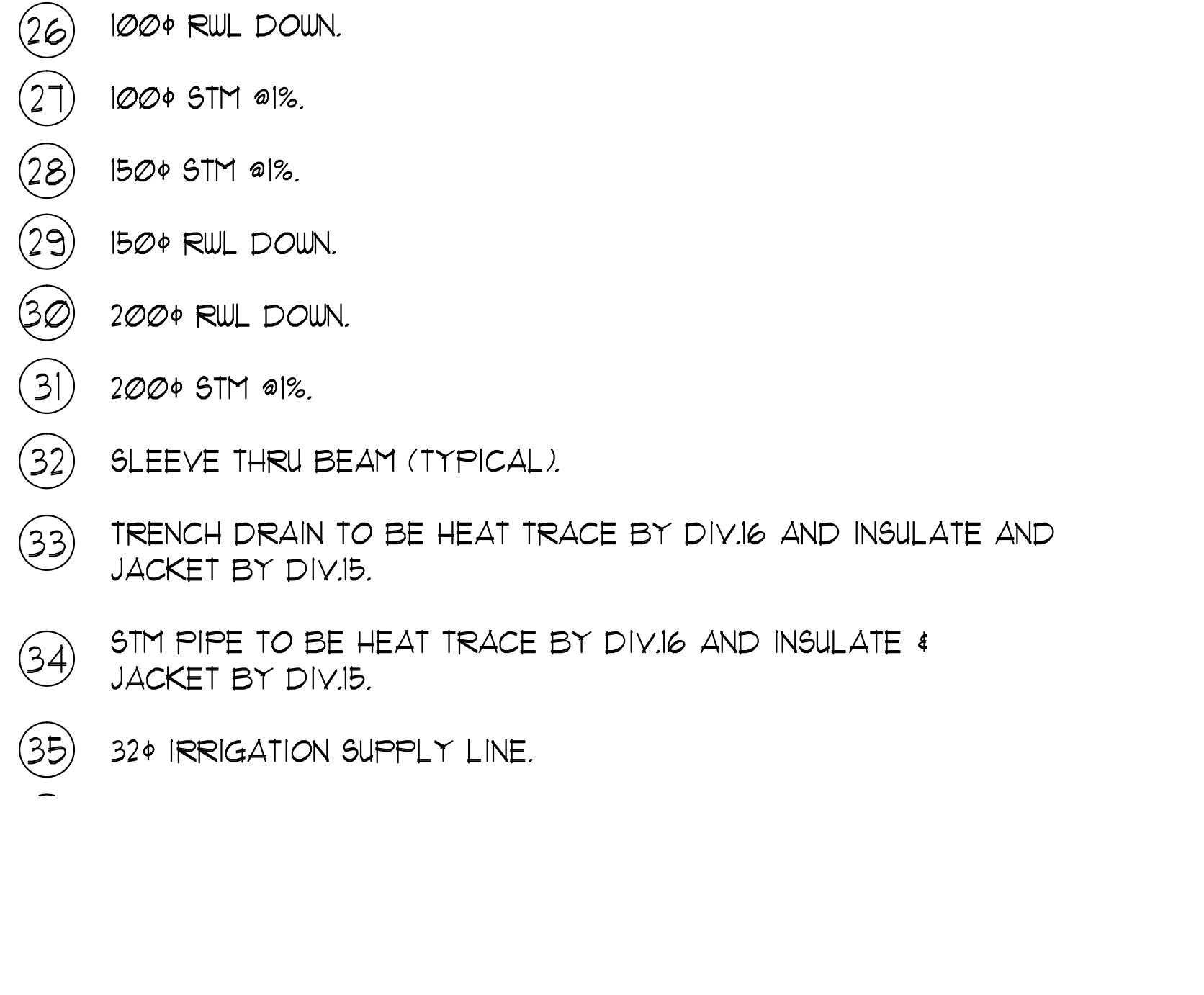
CLEAR FLOOR TO UNDERSLAB = 4050mm
 CLEAR PRODUCT = 3000mm
 COMPLETE DROP CEILING = 1000mm FOR DUCT/PIPES
 ROOF DRAINS & TERRACE DRAINS FROM 2/F

NOTES:

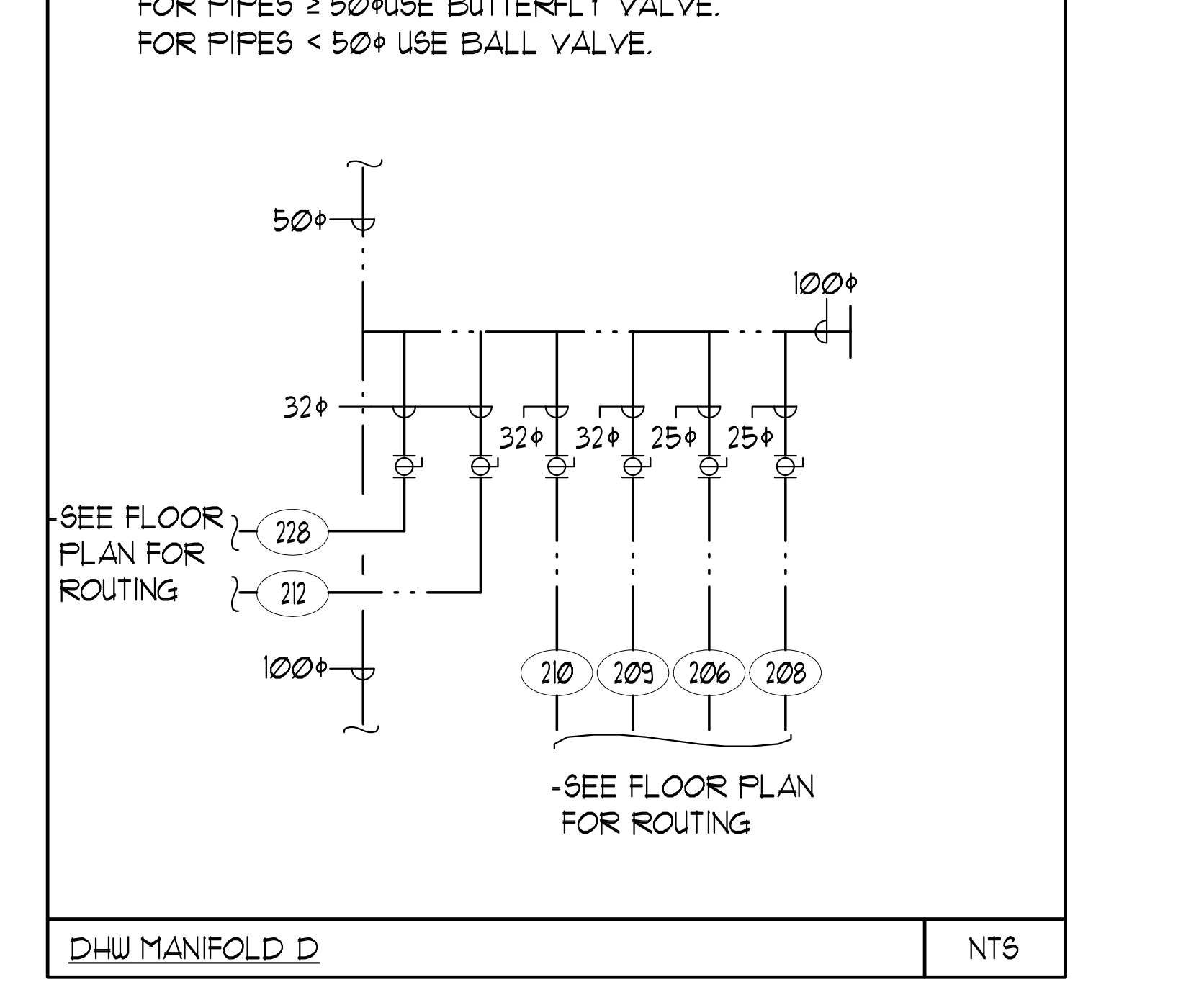
- PIPE SHAFT - REFER TO PIPE RISER DETAIL ON THIS DRAWING FOR DETAILS.
- 100" SAN @ 1%.
- 150" SAN @ 1%.
- 200" SAN @ 1%.
- 200" SAN DOWN.
- 100" DCU (HZ) UP & 50" DHUR FROM PIPE RISER ABOVE.
- 50" DCU & 38" DHU UP.
- 100" DCU (LZ) & 100" DCU (HZ)
- 75" DHU (LZ) & 50" DHUR (LZ)
- 63" DCU & 50" DHU.
- 50" DCU & 38" DHU.
- 38" DCU & 32" DHU.
- 19" DCU & DHU DOWN TO SERVE (1) HOSEBIB FOR GARBAGE ROOM.
- 150" SAN UP.
- 63" DCU & 50" DHU DOWN.
- 32" DCU & 25" DHU.
- 19" DCU & 19" DHU.
- 100" DCU & 75" DHU.
- DCU MANIFOLD C, SEE DCU MANIFOLD C DETAIL ON THIS DRAWING.
- DHU MANIFOLD D, SEE DHU MANIFOLD D DETAIL ON THIS DRAWING.
- 150" SAN DOWN.
- 19" CONDENSATE PIPE DOWN.
- 100" RUL FROM ABOVE.
- 150" RUL FROM ABOVE.
- 100" RUL DOWN.
- 100" STM @ 1%.
- 150" STM @ 1%.
- 19" RUL DOWN.
- 200" RUL DOWN.
- 200" STM @ 1%.
- SLEEVE THRU BEAM (TYPICAL).
- TRENCH DRAIN TO BE HEAT TRACE BY DIV16 AND INSULATE AND JACKET BY DIV15.
- STM PIPE TO BE HEAT TRACE BY DIV16 AND INSULATE & JACKET BY DIV15.
- 32" IRRIGATION SUPPLY LINE.



PIPE SHAFT A, G/F NTS



DCU MANIFOLD C NTS



DHU MANIFOLD D NTS

LEGEND MECHANICAL		
SYMBOL	DESCRIPTION	
[Symbol]	SUPPLY AIR DIFFUSER	
[Symbol]	SUPPLY AIR TROOPER	
[Symbol]	LINEAR SUPPLY DIFFUSER	
[Symbol]	THERMOSTAT	
[Symbol]	FAN SWITCH	
[Symbol]	RETURN AIR GRIFF	
[Symbol]	EXHAUST AIR GRIFF	
[Symbol]	SUPPLY DUCT UP	
[Symbol]	SUPPLY DUCT DOWN	
[Symbol]	RETURN DUCT UP	
[Symbol]	RETURN DUCT DOWN	
[Symbol]	EXHAUST DUCT UP	
[Symbol]	EXHAUST DUCT DOWN	
[Symbol]	FIRE DAMPER	
[Symbol]	BALANCING DAMPER	
[Symbol]	HORIZONTAL DAMPER	
[Symbol]	HORIZONTAL FIRE DAMPER	
[Symbol]	BACKDRAFT DAMPER	
[Symbol]	OPPOSITE BLADE VOLUME CONTROL DAMPER	
[Symbol]	TURNING VANES	
[Symbol]	FLEXIBLE CONNECTION	
[Symbol]	ACOUSTIC INSULATION	
[Symbol]	TYPE OF EQUIPMENT	
[Symbol]	EQUIPMENT IDENTIFICATION	
[Symbol]	TYPE OF COVER OR GRILLE	
[Symbol]	SMALL SIZE OR DIFFUSER NECK SIZE	
[Symbol]	SMALL SIZE OR DIFFUSER NECK SIZE	
[Symbol]	SMALL SIZE OR DIFFUSER NECK SIZE	
[Symbol]	STARTER (3 PHASE / PHASE 1)	
[Symbol]	IN-SITE DRY PASTER SWITCH	
[Symbol]	FAN SWITCH / IN-SITE DRY PASTER SWITCH	
[Symbol]	CO SENSOR	
[Symbol]	GAS LINE	
[Symbol]	GAS METER	
[Symbol]	GAS COOK	
[Symbol]	PRESSURE REDUCING VALVE	
[Symbol]	BANITARY ABOVE GRADE	
[Symbol]	BANITARY BELOW GRADE	
[Symbol]	STORY ABOVE GRADE	
[Symbol]	STORY BELOW GRADE	
[Symbol]	DOMESTIC COLD WATER	
[Symbol]	DOMESTIC HOT WATER	
[Symbol]	DOMESTIC HOT WATER RECIRCULATION	
[Symbol]	BANITARY WAST	
[Symbol]	WATER METER	
[Symbol]	FLOOR DRAIN	
[Symbol]	PANEL FLOOR DRAIN	
[Symbol]	HUB DRAIN	
[Symbol]	ROOF DRAIN	
[Symbol]	ROOF DRAIN	
[Symbol]	AREA DRAIN	
[Symbol]	IN-LEVEL AREA DRAIN	
[Symbol]	CATCH BASIN	
[Symbol]	BANITARY TRAP	
[Symbol]	ELBOW DOWN	
[Symbol]	SMALL CLEANOUT	
[Symbol]	FLOOR CLEANOUT	
[Symbol]	HOSE BIB	
[Symbol]	NON-FREEZE HOSE BIB	
[Symbol]	SHOWER VALVE	
[Symbol]	GATE VALVE	
[Symbol]	BALL VALVE	
[Symbol]	BUTTERFLY VALVE	
[Symbol]	PRESSURE REDUCING VALVE	
[Symbol]	CHECK VALVE	
[Symbol]	COMPRESSED AIR OUTLET	
[Symbol]	BACKFLOW PREVENTER	
[Symbol]	CHECK BALANCING VALVE	
[Symbol]	MULTIPLE PIPES	
[Symbol]	7 - DIMENSION NO. OF PIPES	
[Symbol]	TEMPERATURE SENSOR	
[Symbol]	THERMOPETER	
[Symbol]	2-WAY MODULATING VALVE	
[Symbol]	3-WAY MODULATING VALVE	
[Symbol]	1/2" (40) THERMOCOIL	
[Symbol]	1/2" (40) THERMOCOIL	
[Symbol]	FLOOR ELEVATION ABOVE LEVEL	
[Symbol]	FLOOR ELEVATION ABOVE LEVEL	
[Symbol]	HEADROOM FLOOR TO US LEIGHT	

NO.	DATE	DESCRIPTION	BY
001	05/12/10	ISSUED FOR PERMIT	EP
002	05/12/10	ISSUED FOR PERMIT	EP
003	05/12/10	ISSUED FOR PERMIT	EP
004	05/12/10	ISSUED FOR PERMIT	EP
005	05/12/10	ISSUED FOR PERMIT	EP

NO.	DATE	DESCRIPTION	BY
001	05/12/10	ISSUED FOR PERMIT	EP
002	05/12/10	ISSUED FOR PERMIT	EP
003	05/12/10	ISSUED FOR PERMIT	EP
004	05/12/10	ISSUED FOR PERMIT	EP
005	05/12/10	ISSUED FOR PERMIT	EP

NO.	DATE	DESCRIPTION	BY
001	05/12/10	ISSUED FOR PERMIT	EP
002	05/12/10	ISSUED FOR PERMIT	EP
003	05/12/10	ISSUED FOR PERMIT	EP
004	05/12/10	ISSUED FOR PERMIT	EP
005	05/12/10	ISSUED FOR PERMIT	EP

NO.	DATE	DESCRIPTION	BY
001	05/12/10	ISSUED FOR PERMIT	EP
002	05/12/10	ISSUED FOR PERMIT	EP
003	05/12/10	ISSUED FOR PERMIT	EP
004	05/12/10	ISSUED FOR PERMIT	EP
005	05/12/10	ISSUED FOR PERMIT	EP

NO.	DATE	DESCRIPTION	BY
001	05/12/10	ISSUED FOR PERMIT	EP
002	05/12/10	ISSUED FOR PERMIT	EP
003	05/12/10	ISSUED FOR PERMIT	EP
004	05/12/10	ISSUED FOR PERMIT	EP
005	05/12/10	ISSUED FOR PERMIT	EP

NO.	DATE	DESCRIPTION	BY
001	05/12/10	ISSUED FOR PERMIT	EP
002	05/12/10	ISSUED FOR PERMIT	EP
003	05/12/10	ISSUED FOR PERMIT	EP
004	05/12/10	ISSUED FOR PERMIT	EP
005	05/12/10	ISSUED FOR PERMIT	EP

NO.	DATE	DESCRIPTION	BY
001	05/12/10	ISSUED FOR PERMIT	EP
002	05/12/10	ISSUED FOR PERMIT	EP
003	05/12/10	ISSUED FOR PERMIT	EP
004	05/12/10	ISSUED FOR PERMIT	EP
005	05/12/10	ISSUED FOR PERMIT	EP

NO.	DATE	DESCRIPTION	BY
001	05/12/10	ISSUED FOR PERMIT	EP
002	05/12/10	ISSUED FOR PERMIT	EP
003	05/12/10	ISSUED FOR PERMIT	EP
004	05/12/10	ISSUED FOR PERMIT	EP
005	05/12/10	ISSUED FOR PERMIT	EP

NO.	DATE	DESCRIPTION	BY
001	05/12/10	ISSUED FOR PERMIT	EP
002	05/12/10	ISSUED FOR PERMIT	EP
003	05/12/10	ISSUED FOR PERMIT	EP
004	05/12/10	ISSUED FOR PERMIT	EP
005	05/12/10	ISSUED FOR PERMIT	EP

NO.	DATE	DESCRIPTION	BY
001	05/12/10	ISSUED FOR PERMIT	EP
002	05/12/10	ISSUED FOR PERMIT	EP
003	05/12/10	ISSUED FOR PERMIT	EP
004	05/12/10	ISSUED FOR PERMIT	EP
005	05/12/10	ISSUED FOR PERMIT	EP

NO.	DATE	DESCRIPTION	BY
001	05/12/10	ISSUED FOR PERMIT	EP
002	05/12/10	ISSUED FOR PERMIT	EP
003	05/12/10	ISSUED FOR PERMIT	EP
004	05/12/10	ISSUED FOR PERMIT	EP
005	05/12/10	ISSUED FOR PERMIT	EP

NO.	DATE	DESCRIPTION	BY
001	05/12/10	ISSUED FOR PERMIT	EP
002	05/12/10	ISSUED FOR PERMIT	EP
003	05/12/10	ISSUED FOR PERMIT	EP
004	05/12/10	ISSUED FOR PERMIT	EP
005	05/12/10	ISSUED FOR PERMIT	EP

NO.	DATE	DESCRIPTION	BY
001	05/12/10	ISSUED FOR PERMIT	EP
002	05/12/10	ISSUED FOR PERMIT	EP
003	05/12/10	ISSUED FOR PERMIT	EP
004	05/12/10	ISSUED FOR PERMIT	EP
005	05/12/10	ISSUED FOR PERMIT	EP

NO.	DATE	DESCRIPTION	BY
001	05/12/10	ISSUED FOR PERMIT	EP
002	05/12/10	ISSUED FOR PERMIT	EP
003	05/12/10	ISSUED FOR PERMIT	EP
004	05/12/10	ISSUED FOR PERMIT	EP
005	05/12/10	ISSUED FOR PERMIT	EP

NO.	DATE	DESCRIPTION	BY
001	05/12/10	ISSUED FOR PERMIT	EP
002	05/12/10	ISSUED FOR PERMIT	EP
003	05/12/10	ISSUED FOR PERMIT	EP
004	05/12/10	ISSUED FOR PERMIT	EP
005	05/12/10	ISSUED FOR PERMIT	EP

NO.	DATE	DESCRIPTION	BY
001	05/12/10	ISSUED FOR PERMIT	EP
002	05/12/10	ISSUED FOR PERMIT	EP
003	05/12/10	ISSUED FOR PERMIT	EP
004	05/12/10	ISSUED FOR PERMIT	EP
005	05/12/10	ISSUED FOR PERMIT	EP

NO.	DATE	DESCRIPTION	BY
001	05/12/10	ISSUED FOR PERMIT	EP
002	05/12/10	ISSUED FOR PERMIT	EP
003	05/12/10	ISSUED FOR PERMIT	EP
004	05/12/10	ISSUED FOR PERMIT	EP
005	05/12/10	ISSUED FOR PERMIT	EP

NO.	DATE	DESCRIPTION	BY
001	05/12/10	ISSUED FOR PERMIT	EP
002	05/12/10	ISSUED FOR PERMIT	EP
003	05/12/10	ISSUED FOR PERMIT	EP
004	05/12/10	ISSUED FOR PERMIT	EP
005	05/12/10	ISSUED FOR PERMIT	EP

NO.	DATE	DESCRIPTION	BY
001	05/12/10	ISSUED FOR PERMIT	EP
002	05/12/10	ISSUED FOR PERMIT	EP
003	05/12/10	ISSUED FOR PERMIT	EP
004	05/12/10	ISSUED FOR PERMIT	EP
005	05/12/10	ISSUED FOR PERMIT	EP

NO.	DATE	DESCRIPTION	BY
001	05/12/10	ISSUED FOR PERMIT	EP
002	05/12/10	ISSUED FOR PERMIT	EP
003	05/12/10	ISSUED FOR PERMIT	EP
004	05/12/10	ISSUED FOR PERMIT	EP
005	05/12/10	ISSUED FOR PERMIT	EP

NO.	DATE	DESCRIPTION	BY
001	05/12/10	ISSUED FOR PERMIT	EP
002	05/12/10	ISSUED FOR PERMIT	EP
003	05/12/10	ISSUED FOR PERMIT	EP
004	05/12/10	ISSUED FOR PERMIT	EP
005	05/12/10	ISSUED FOR PERMIT	EP

NO.	DATE	DESCRIPTION	BY
001	05/12/10	ISSUED FOR PERMIT	EP
002	05/12/10	ISSUED FOR PERMIT	EP
003	05/12/10	ISSUED FOR PERMIT	EP
004	05/12/10	ISSUED FOR PERMIT	EP
005	05/12/10	ISSUED FOR PERMIT	EP

NO.	DATE	DESCRIPTION	BY
001	05/12/10	ISSUED FOR PERMIT	EP
002	05/12/10	ISSUED FOR PERMIT	EP
003	05/12/10	ISSUED FOR PERMIT	EP
004	05/12/10	ISSUED FOR PERMIT	EP
005	05/12/10	ISSUED FOR PERMIT	EP

NO.	DATE	DESCRIPTION	BY
001	05/12/10	ISSUED FOR PERMIT	EP
002	05/12/10	ISSUED FOR PERMIT	EP
003	05/12/10	ISSUED FOR PERMIT	EP
004	05/12/10	ISSUED FOR PERMIT	EP
005	05/12/10	ISSUED FOR PERMIT	EP

NO.	DATE	DESCRIPTION	BY
001	05/12/10	ISSUED FOR PERMIT	EP
002	05/12/10	ISSUED FOR PERMIT	EP
003	05/12/10	ISSUED FOR PERMIT	EP
004	05/12/10	ISSUED FOR PERMIT	EP
005	05/12/10	ISSUED FOR PERMIT	EP

NO.	DATE	DESCRIPTION	BY
001	05/12/10	ISSUED FOR PERMIT	EP
002	05/12/10	ISSUED FOR PERMIT	EP
003	05/12/10	ISSUED FOR PERMIT	EP
004	05/12/10	ISSUED FOR PERMIT	EP
005	05/12/10	ISSUED FOR PERMIT	EP

NO.	DATE	DESCRIPTION	BY
001	05/12/10	ISSUED FOR PERMIT	EP
002	05/12/10	ISSUED FOR PERMIT	EP
003	05/12/10	ISSUED FOR PERMIT	EP
004	05/12/10	ISSUED FOR PERMIT	EP
005	05/12/10	ISSUED FOR PERMIT	EP

NO.	DATE	DESCRIPTION	BY
001	05/12/10	ISSUED FOR PERMIT	EP
002	05/12/10	ISSUED FOR PERMIT	EP
003	05/12/10	ISSUED FOR PERMIT	EP
004	05/12/10	ISSUED FOR PERMIT	EP
005	05/12/10	ISSUED FOR PERMIT	EP

NO.	DATE	DESCRIPTION
-----	------	-------------