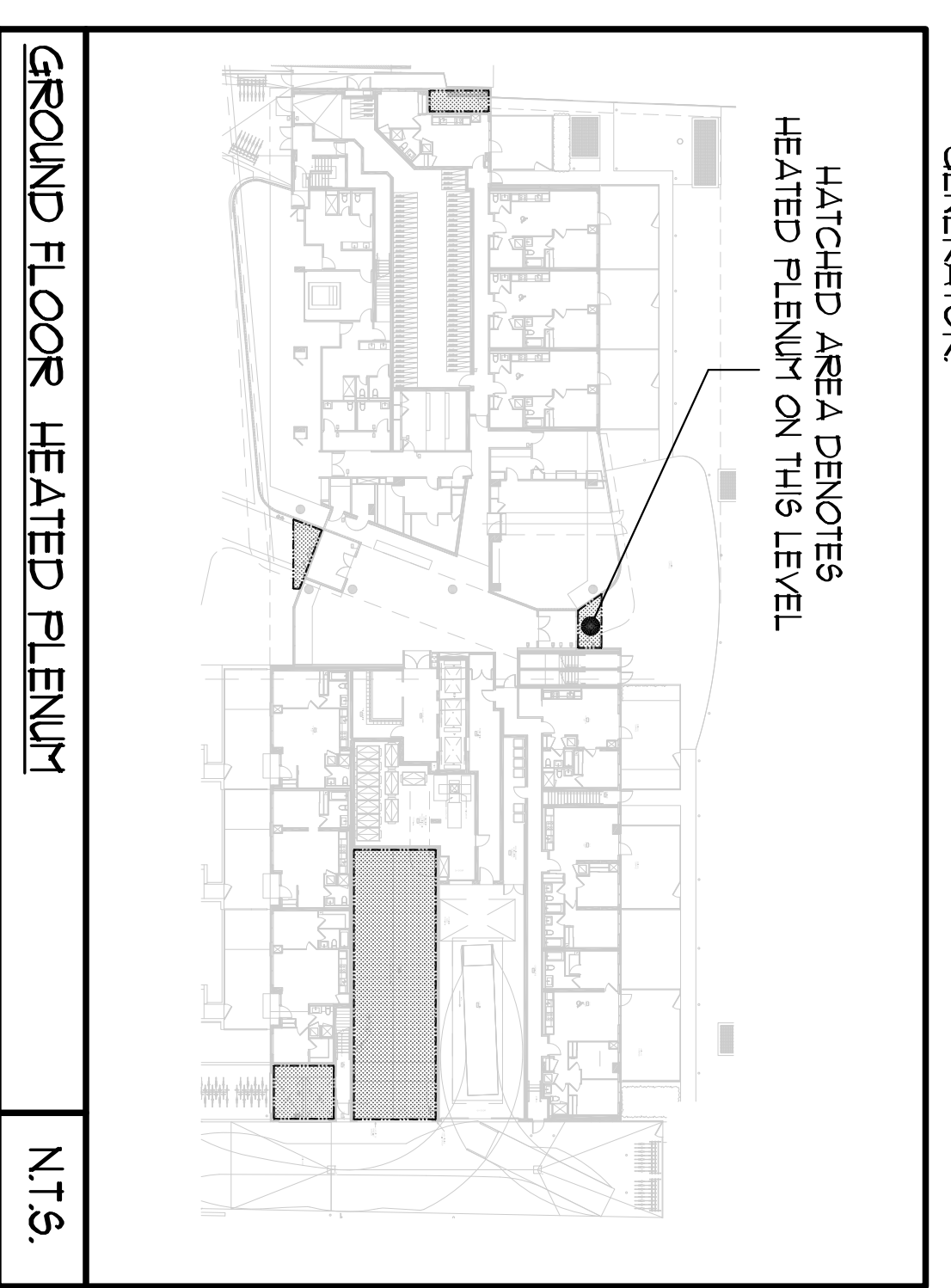


REFER TO DWG. H-6 FOR GENERAL NOTES AND M-9 ACOUSTIC NOTES

1 CLEAR FLOOR TO UNDERLAY + 4250mm  
 2 CLEAR PRODUCT + 3000mm  
 3 COMPLETE DROP CEILING + 600mm FOR DUCT PIPES  
 4 ROOF DRAIN + TERRACE DRAIN FROM 2/F

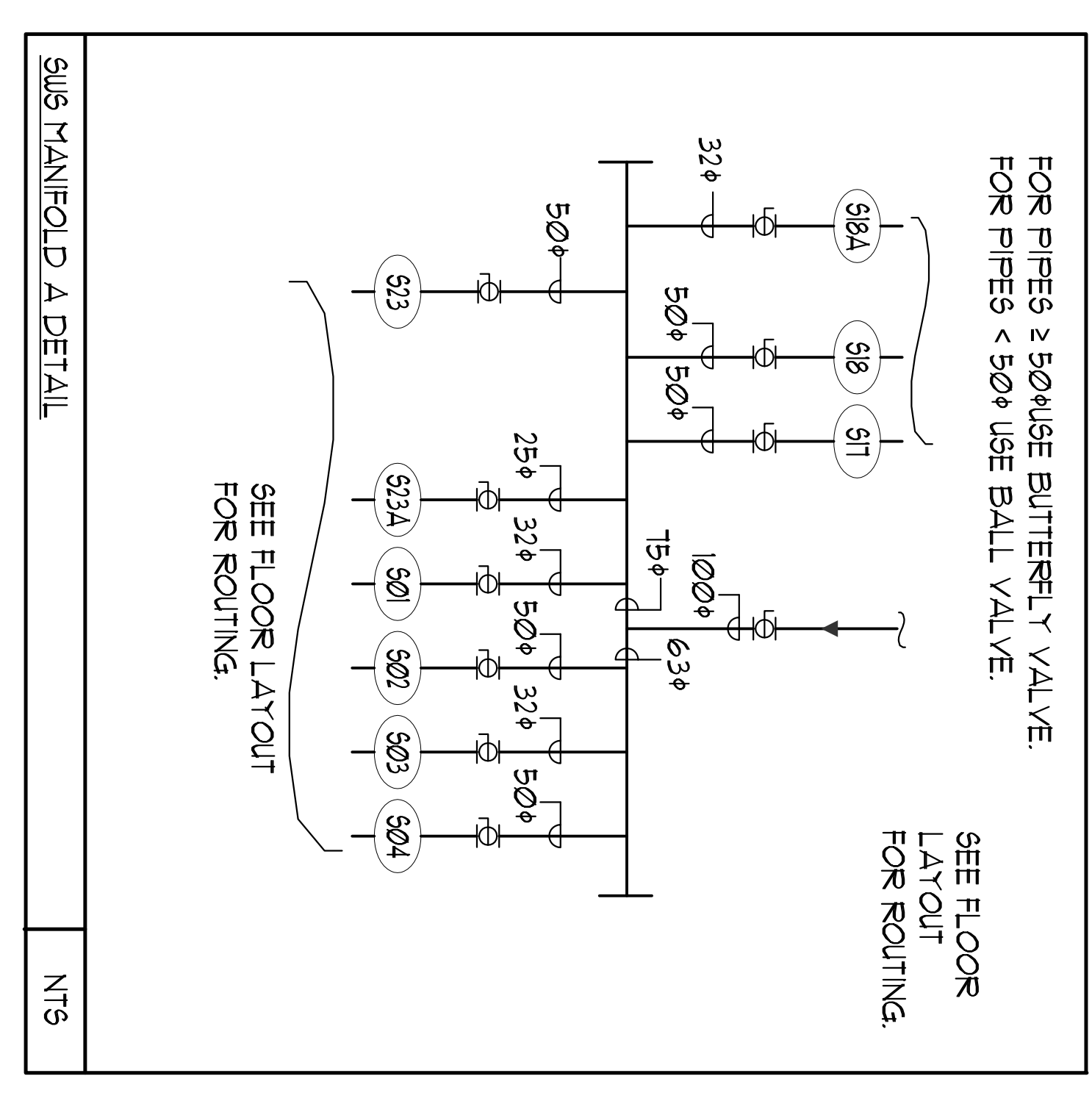
NOTES:

- 1 25# SUBS
- 2 21# SUBS
- 3 50# SUBS
- 4 63# SUBS TO BELOW
- 5 63# SUBS
- 6 19# SUBS + 19# SURE
- 7 25# SUBS + 25# SURE
- 8 21# SUBS + 21# SURE
- 9 00# SUBS + 21# SURE
- 10 00# SUBS + 50# SURE
- 11 SUBS MAINFOLD A. SEE SUBS MAINFOLD A DETAIL ON THIS DRAWING.
- 12 00# SUBS
- 13 21# HUBS + R FROM BELOW
- 14 19# HUBS + R
- 15 21# FIRE RATED ENCLOSURE FIRE RATED ENCLOSURE BY OTHERS.
- 16 19# HUBS + R FROM BELOW
- 17 21# HUBS + R
- 18 21# HUBS + R
- 19 19# GAS PIPE CU VALVE AND CAP FOR BBA.
- 20 19# DCU FOR WHB TO BE CONNECTED TO SUITES MAIN DCU LINE.
- 21 19# GAS SLB GAS DOWN
- 22 RADIANT INFLOOR HEATING REFER TO DWG. M-41 FOR DETAILS FOR RUTHER USE
- 23 00# SUBS + 63# SURE
- 24 00# SUBS + R FROM ABOVE
- 25 REPERGRANT PIPES FROM DH-1 TO CONDENSING UNIT ON P-1 PIPE STRING AND INSTALLATION AS PER MANUFACTURER'S RECOMMENDATIONS.
- 26 APPROX. BUILDING LOAD = 1,000 CHL
- 27 APPROX. GENERATOR GENERATOR + 2100 CHL  
 63# (19 LB) FOR BUILDING AND 31# (19 LB) FOR GENERATOR DOWN TO P-1  
 PROVIDE LABEL ON GENERATOR SUPPLY - DO NOT CLOSE!  
 SEE REBRIDGE GAS THERMISTATING STATION DETAIL "A" ON THIS DRAWING FOR DETAIL.
- 28 63# SLB GAS PIPE FROM METER ASSEMBLY DOWN TO SERVE BUILDING.
- 29 21# SLB GAS PIPE FROM METER ASSEMBLY ABOVE TO SERVE EMERGENCY GENERATOR



HEATED AREA DENOTES HEATED FLENTY ON THIS LEVEL

SEE FLOOR LAYOUT FOR ROUNTING



FOR PIPES & 50# USE BUTTERFLY VALVE

SEE FLOOR LAYOUT FOR ROUNTING

LEGEND

MECHANICAL

SYMBOL	DESCRIPTION
	AHU 1, 2, 3, 4, 5, 6, 7, 8, 9, 10, 11, 12, 13, 14, 15, 16, 17, 18, 19, 20, 21, 22, 23, 24, 25, 26, 27, 28, 29, 30, 31, 32, 33, 34, 35, 36, 37, 38, 39, 40, 41, 42, 43, 44, 45, 46, 47, 48, 49, 50, 51, 52, 53, 54, 55, 56, 57, 58, 59, 60, 61, 62, 63, 64, 65, 66, 67, 68, 69, 70, 71, 72, 73, 74, 75, 76, 77, 78, 79, 80, 81, 82, 83, 84, 85, 86, 87, 88, 89, 90, 91, 92, 93, 94, 95, 96, 97, 98, 99, 100
	FCU 1, 2, 3, 4, 5, 6, 7, 8, 9, 10, 11, 12, 13, 14, 15, 16, 17, 18, 19, 20, 21, 22, 23, 24, 25, 26, 27, 28, 29, 30, 31, 32, 33, 34, 35, 36, 37, 38, 39, 40, 41, 42, 43, 44, 45, 46, 47, 48, 49, 50, 51, 52, 53, 54, 55, 56, 57, 58, 59, 60, 61, 62, 63, 64, 65, 66, 67, 68, 69, 70, 71, 72, 73, 74, 75, 76, 77, 78, 79, 80, 81, 82, 83, 84, 85, 86, 87, 88, 89, 90, 91, 92, 93, 94, 95, 96, 97, 98, 99, 100
	RADIANT FLOOR HEATING
	VALVE
	PIPE
	SUBS
	HUBS
	SURED
	DCU
	METER
	GENERATOR
	AHU
	FCU
	RADIANT FLOOR HEATING
	VALVE
	PIPE
	SUBS
	HUBS
	SURED
	DCU
	METER
	GENERATOR

**NOVA**  
 CONSULTING ENGINEERS  
 15 UNIT, BAYVIEW-CRICK ROAD UNIT 31  
 SCOTIA, ONTARIO M1B 2Y7  
 TEL: 905.887.5449  
 FAX: 905.887.5441

**REVISIONS**

NO.	DATE	DESCRIPTION
1		
2		
3		
4		
5		
6		
7		
8		
9		
10		
11		
12		
13		
14		
15		
16		
17		
18		
19		
20		
21		
22		
23		
24		
25		
26		
27		
28		
29		
30		
31		
32		
33		
34		
35		
36		
37		
38		
39		
40		
41		
42		
43		
44		
45		
46		
47		
48		
49		
50		
51		
52		
53		
54		
55		
56		
57		
58		
59		
60		
61		
62		
63		
64		
65		
66		
67		
68		
69		
70		
71		
72		
73		
74		
75		
76		
77		
78		
79		
80		
81		
82		
83		
84		
85		
86		
87		
88		
89		
90		
91		
92		
93		
94		
95		
96		
97		
98		
99		
100		

PROJECT TITLE: 30 ALEXANDRA PARK BLOCK II 50' X 100' CONCRETE FOUNDATION

CLIENT: G&F SOUTH HVAC PIPING LAYOUT

DATE: FEB. 13 2015

SCALE: 1/8" = 1'-0"

PROJECT NUMBER: 13-13

PROJECT LOCATION: 30 ALEXANDRA PARK, SCOTIA, ONTARIO