

UNIT	NAME	AREA (SQ. FT.)	# OF UR	# OF FOUDE	SIZE (T)	FIXTURE UNITS	BR	SQ. FT/T
201	2NMT	830	2	0	15	16	2	553
202	2VT	655	2	0	15	16	2	431
205	2RT	670	2	0	15	16	2	441
206	F	510	1	0	1	10	1	510
208	UT	560	1	0	15	10	1	560
209	IGT	530	1	0	1	10	1	530
210	IC-D&T	590	2	0	1	16	1	590
211	IC-DT4	590	2	0	1	16	1	590
212	IC-DT3	590	2	0	1	16	1	590
213	IC-D	590	2	0	1	16	1	590
228	2DT	650	2	0	15	16	2	433

DESIGNATION	SIZE	L/S (UNLESS OTHERWISE SPECIFIED)
SG-A	300x100	41-70
SG-B	300x150	71-93
SG-C	400x150	94-140
SG-D	450x150	141-188
EG-A	150x150	35
W-1	225x200	210mm(L)
W-2	475x200	INSULATED
W-3	675x200	WALL BOX

DESIGNATION	MODEL	W x D
FCU-IT	450	500x660
FCU-15T	600	500x660
FCU-2T	800	500x660
FCU-25T	1000	550x660
FCU-3T	1200	550x660

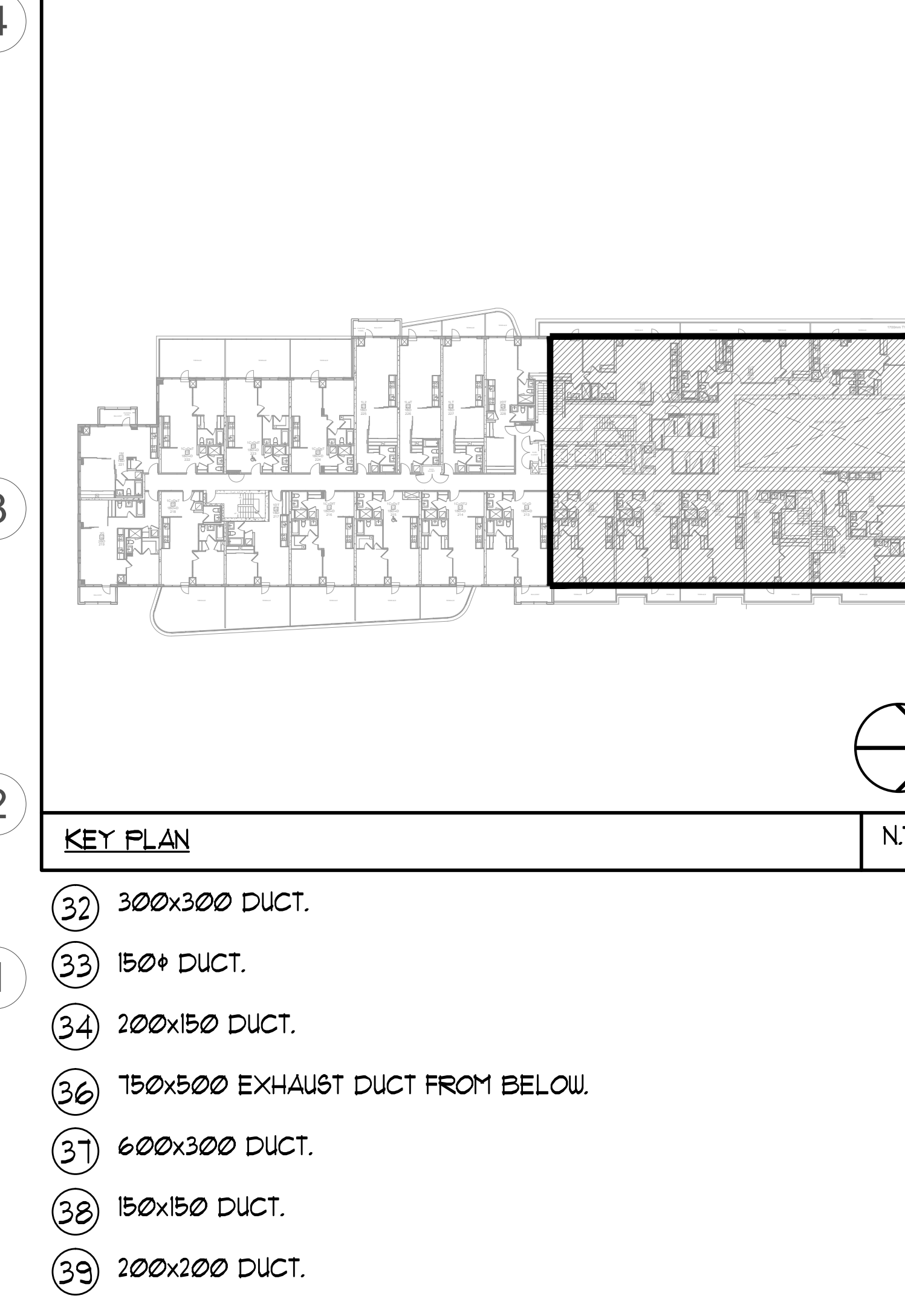
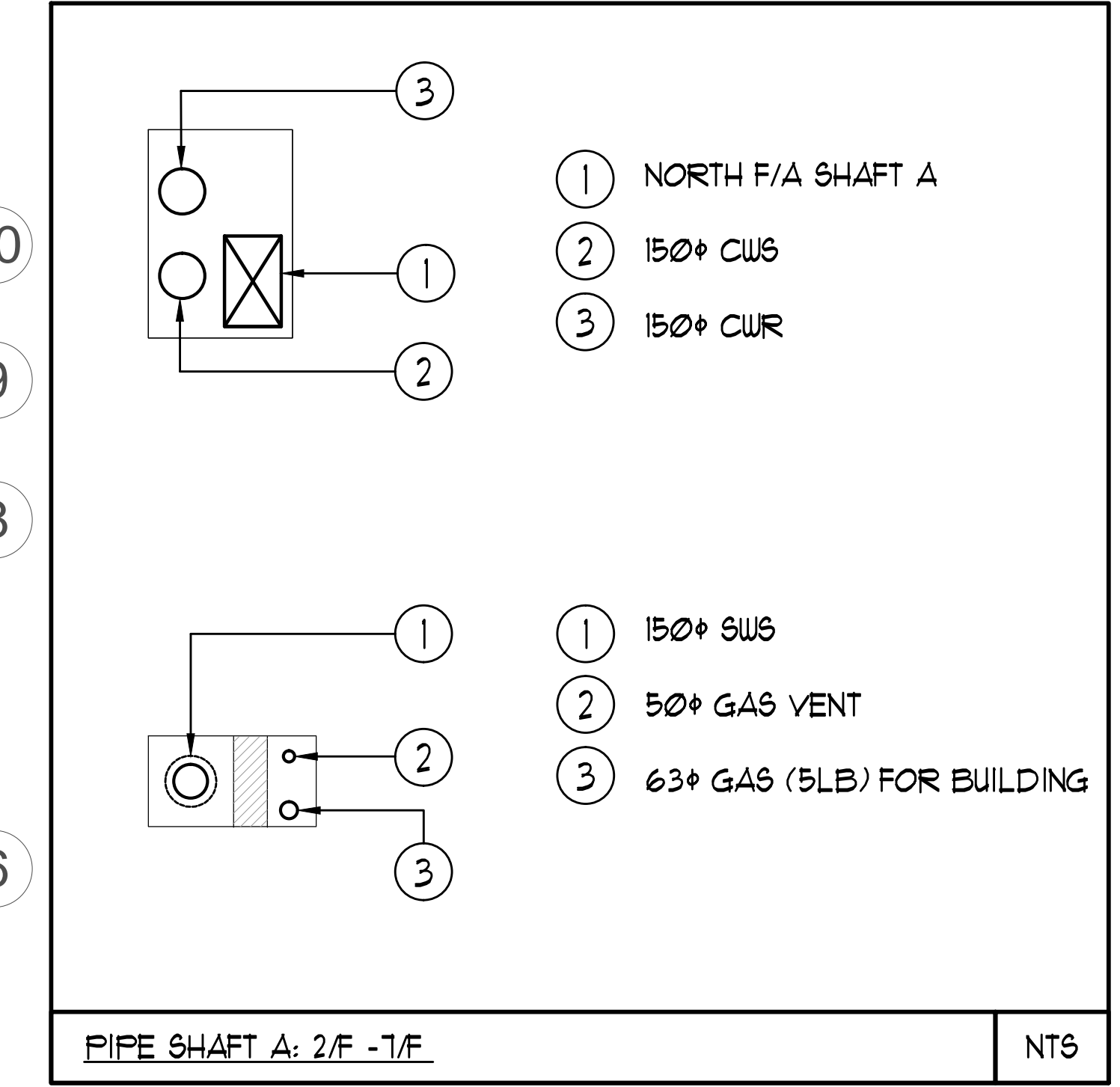
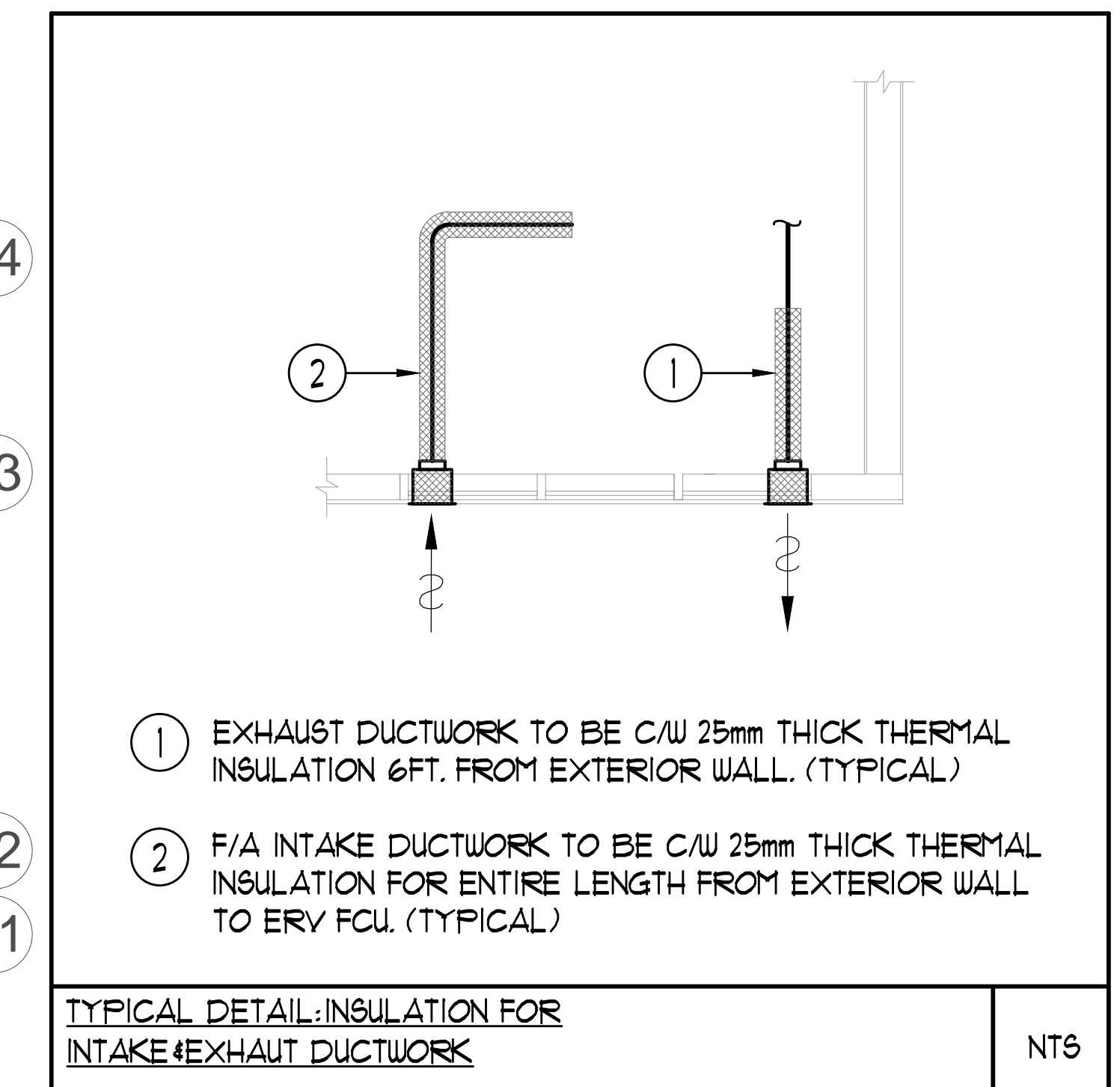
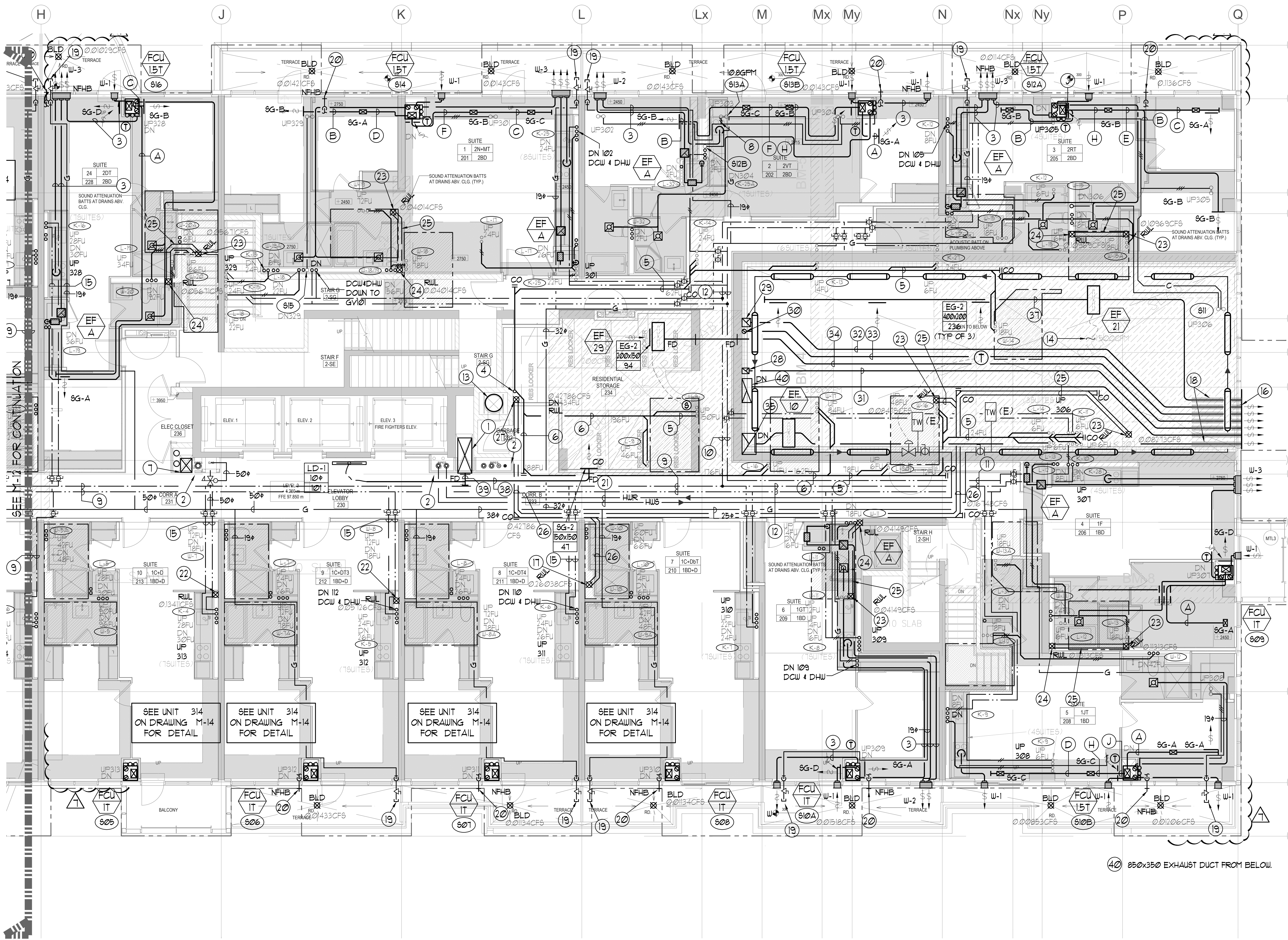
NOTE: A MIN. OF 125mm IS REQUIRED ON THE SIDE OF PIPE RISER.

DESIGNATION	L/S	DUCT SIZE	DESIGNATION	L/S	DUCT SIZE
(A)	41	100x150	(G)	109	350x150
(B)	71	150x150	(H)	236	450x150
(C)	94	200x150	(J)	283	500x150
(D)	118	200x150	(K)	330	600x150
(E)	141	250x150	(L)	377	500x200
(F)	165	300x150			

- GENERAL NOTES:**
- CONTRACTOR SHALL CO-ORDINATE ARCHITECTURAL, STRUCTURAL, LIGHTING, HVAC, SPRINKLER DRAWINGS TO AVOID AREAS OF CONFLICT AND TO MAINTAIN CEILING HEIGHTS.
  - CONTRACTOR SHALL REPORT ALL DISCREPANCIES AND AREA OF CONFLICTS TO THE ENGINEER PRIOR TO WORK BEGINS.
  - PROVIDE EXPANSION CHAMBERS FOR ALL KITCHEN SINKS.
  - SEE INSTALLATION DETAILS DRAWING FOR WASHER, DCM, H/C WATER, SANITARY CONNECTION DETAILS.
  - SUPPLY AND INSTALL COMPLETE DOMESTIC HOT AND COLD WATER LINES, SANITARY AND VENT LINES TO EACH FIXTURE, EQUIPMENT INCLUDING WATER CLOSETS, LAVATORIES, BATHS, SHOWERS, KITCHEN SINK, WASHING MACHINES, DISHWASHERS, AND FLOOR DRAINS, KITCHEN SINK, LAVATORIES, WATER CLOSETS AND WASHING MACHINE TO BE C/W LOCALIZED SHUT-OFF VALVES.
  - ALL VENT PIPE INSTALLATION TO COMPLY WITH PLUMBING CODES.
  - FOR D.H.C. W. RISER SIZES, REFER TO RISER DIAGRAM
  - FIRE DAMPERS ARE REQUIRED TO BE LISTED AND ARE TO HAVE FIRE PROTECTION RATING OF THE PENETRATED FIRE SEPARATION.
  - THE PIPING PENETRATING THE VARIOUS FIRE SEPARATION IS REQUIRED TO BE FIRESTOPPED WITH A LISTED FIRESTOPPING MATERIAL IN ACCORDANCE WITH CBC ARTICLE 3.13.1
  - THE FIRE HOSE CABINET THAT ARE RECESSED INTO THE EXIT STAIR SHAFTS ARE REQUIRED TO BE SEPARATED FROM THE EXIT STAIR BY A 2 HR FIRE SEPARATION.
  - NO FLEXIBLE DUCT SHALL BE USED FOR ANY IN-SUITE DUCTWORK.
  - PROVIDE 25MM EXTERNAL INSULATION TO ENTIRE FRESH AIR DUCT FROM EXTERIOR WALL TO ERV FAN COIL UNIT.
  - DRYER EXHAUST DUCT SHALL BE SMOOTH AND CORROSION-RESISTANT MATERIAL. (FLEXIBLE CONNECTION IS NOT ACCEPTABLE).

**LEGEND MECHANICAL**

SYMBOL	DESCRIPTION
(Symbol)	APPLY AIR DRAINER
(Symbol)	APPLY AIR TRAP
(Symbol)	LINEAR SUPPLY DIFFUSER
(Symbol)	THERMOSTAT
(Symbol)	FAN MOTOR
(Symbol)	RETURN AIR GRILLE
(Symbol)	EXHAUST AIR GRILLE
(Symbol)	APPLY DUCT UP
(Symbol)	APPLY DUCT DOWN
(Symbol)	RETURN DUCT UP
(Symbol)	RETURN DUCT DOWN
(Symbol)	EXHAUST DUCT UP
(Symbol)	EXHAUST DUCT DOWN
(Symbol)	FIRE DAMPER
(Symbol)	BALANCING DAMPER
(Symbol)	MOTORIZED DAMPER
(Symbol)	MOTORIZED FIRE DAMPER
(Symbol)	BACKDRIFT DAMPER
(Symbol)	OPPOSED BLADE VOLUME CONTROL DAMPER
(Symbol)	CO. LOCKING DAMPER
(Symbol)	TURNS VAVES
(Symbol)	FLEXIBLE CONNECTION
(Symbol)	ACOUSTIC INSULATION
(Symbol)	TYPE OF EQUIPMENT
(Symbol)	TYPE OF CONNECTION
(Symbol)	TYPE OF DAMPER OR GRILLE
(Symbol)	SMALL SIZE OR OFFSHORE W/CK SIZE
(Symbol)	ANGLE/100 OR L/S
(Symbol)	STARTER / 3 PHASE / PHASE /
(Symbol)	IN-SUITE ERV FAN MOTOR
(Symbol)	FAN MOTOR / IN-SUITE ERV OVERSIZE BUTTON
(Symbol)	CO. SENSOR
(Symbol)	GAS LINE
(Symbol)	GAS METER
(Symbol)	GAS STOP
(Symbol)	PRESSURE REDUCING VALVE
(Symbol)	SANITARY ABOVE GRADE
(Symbol)	SANITARY BELOW GRADE
(Symbol)	OTHER BELOW GRADE
(Symbol)	DOPESTIC HOT WATER
(Symbol)	DOPESTIC HOT WATER RECIRCULATION
(Symbol)	SANITARY VENT
(Symbol)	LAVATOR PETER
(Symbol)	FLOOR DRAIN
(Symbol)	RUNNEL FLOOR DRAIN
(Symbol)	ROOF DRAIN
(Symbol)	AREA DRAIN
(Symbol)	AREA DRAIN
(Symbol)	BLU-LEVEL AREA DRAIN
(Symbol)	CATCH BASIN
(Symbol)	SANITARY TRAP
(Symbol)	ELBOW UP
(Symbol)	ELBOW DOWN
(Symbol)	WALL CLEANOUT
(Symbol)	FLOOR CLEANOUT
(Symbol)	LOCKE VALVE
(Symbol)	NON-PRESSURE HOSE ENDS
(Symbol)	GATE VALVE
(Symbol)	BALL VALVE
(Symbol)	BUTTERFLY VALVE
(Symbol)	PRESSURE REDUCING VALVE
(Symbol)	CAP
(Symbol)	COPRESSURED AIR OUTLET
(Symbol)	BACKFLOW PREVENTER
(Symbol)	CIRCUIT BALANCING VALVE
(Symbol)	TEMPERATURE SENSOR
(Symbol)	TEMPERATURE SENSOR
(Symbol)	3-WAY MODULATING VALVE
(Symbol)	3-WAY MODULATING VALVE
(Symbol)	10' W/ATED FIBERGLASS C/W 12' BURNING 4 1/2" PLUS
(Symbol)	FLOOR ELEVATION ABOVE LEVEL
(Symbol)	HEADROOM FLOOR TO US LEVEL



- ACOUSTIC NOTES:**
- ALL SYSTEM/DOMESTIC PIPE LOOPS OR OFFSETS WHICH ARE 50MM DIA. AND LARGER SHALL BE ISOLATED USING NEOPRENE-N-SHEAR HANGERS, AND ADDITIONAL 25 MM THICK RIBBED OR WAFFLED NEOPRENE PADS IN THE SADDLES OF CLEVIS HANGERS.
  - ALL PIPES SMALLER THAN 50MM DIA. SHALL BE ISOLATED WITH 5MM THICK RIBBED OR WAFFLED RUBBER PADS IN HANGER SADDLES.

- NOTES:**
- NORTH F/A SHAFT B FROM G/F TO 14/F. DUCT SERVING CORRIDOR FROM G/F TO 14/F. SEE PRESSURIZATION / VENTILATION RISER DIAGRAM FOR DETAILS.
  - PIPE SHAFT - REFER TO PIPE RISER DETAIL ON THIS DRAWING FOR DETAILS.
  - 150+ KITCHEN / DRYER / W/R / FCU INTAKE / FCU EXHAUST DUCT. (TYPICAL UNLESS OTHERWISE NOTED)
  - 150+ SAN DOWN
  - 100+ SAN @1%
  - 150+ SAN @1%
  - NORTH F/A SHAFT A FROM G/F TO 14/F. DUCT SERVING CORRIDOR FROM G/F TO 14/F. SEE PRESSURIZATION / VENTILATION RISER DIAGRAM FOR DETAILS.
  - 32+ SUUS
  - 75+ DCW & 63+ DHU
  - 63+ DCW & 50+ DHU
  - 63+ DHU
  - 50+ DCW & 38+ DHU
  - 600+ GARBAGE CHUTE.
  - CONNECT EF-21 TO NO SENSOR AT LOWER LEVEL
  - REFER TO DCW, DHU & DHUR RISER DIAGRAM ON DRAWING M-36 FOR SIZING. (TYPICAL)
  - 2,100x800 WEATHERPROOF EXHAUST LOUVER C/W BIRDSCREEN.
  - 150+ RUL FROM ABOVE.
  - 50MM THICK EXTERNAL INSULATION 151MM FROM EXTERIOR WALL.
  - 150 GAS PIPE c/w VALVE AND CAP FOR BBQ.
  - 150 DCW FOR NFHB TO BE CONNECTED TO SUITE'S MAIN DCW LINE.
  - 32+ HUS & R
  - 100+ RUL FROM ABOVE AND DOWN.
  - 100+ RUL FROM ABOVE.
  - 100+ RUL FROM DOWN.
  - 100+ STY @1%
  - 150+ STY @1%
  - 150+ RUL DOWN.
  - 250x200 EXHAUST DUCT FROM BELOW.
  - 300x300 EXHAUST DUCT FROM BELOW.
  - 150+ EXHAUST DUCT FROM BELOW.
  - 250x200 DUCT.

**REVISIONS**

NO.	DESCRIPTION	DATE
1	MADE FOR SITE INSPECTION #16	EP
2	MADE FOR SITE INSPECTION #15	EP
3	MADE FOR GFI CORRECT	EP
4	MADE FOR SITE INSPECTION #11	EP
5	MADE FOR SINK	EP
6	RE-MADE FOR PERMIT	EP
7	MADE FOR PERMIT	EP
8	MADE FOR PERMIT	EP

MARK: VOA ALL PERMITS DATED PREVIOUS TO FINAL DATE ABOVE

**NOVA ENGINEERING**

175 West Beaver Creek Road, Unit 31  
Richmond Hill, Ontario L4B 3M1  
Tel: 905.882.5445  
Fax: 905.882.5441

PROJECT TITLE: **SG ALEXANDRA PARK BLOCK II**  
38 CAMERON STREET TORONTO

DATE: FEB 13 2013

PROJECT NUMBER: G.S. 1313

DRAWING NUMBER: M-13

SCALE: 1:50

PROJECT MECHANICAL LAYOUT