

UNIT	NAME	AREA (SQ. FT.)	# OF UR	# OF POWDER	SIZE (T)	FIXTURE UNITS	BR	SG. FT/1
401	1A-MR3	525	1	0	1	10	1	525
402	1D-M1	640	1	0	15	10	1	421
403	1L	615	1	0	15	10	1	410
404	1LB	615	1	0	15	10	1	410
405	2MR3	115	2	0	15	16	2	511
406	1B1	490	1	0	1	10	1	490
407	1BR	490	1	0	1	10	1	490
408	2M3	115	2	0	15	16	2	511
409	1E2	480	1	0	1	10	1	480
410	1C-D4	590	2	0	1	16	1	590
411	1C-D1	590	2	0	1	16	1	590
412	1C-D1	590	2	0	1	16	1	590
413	1C-D2	590	2	0	1	16	1	590
428	2F-M2	105	2	0	15	16	1	410
429	1B-D4	580	1	0	1	10	1	580

GRILLE SIZING TABLE		
DESIGNATION	SIZE	L/S (UNLESS OTHERWISE SPECIFIED)
SG-A	300x100	41-70
SG-B	300x150	71-93
SG-C	400x150	94-140
SG-D	450x150	141-188
EG-A	150x150	35
W-1	225x200	210mm(L)
W-2	425x200	INSULATED
W-3	625x200	WALL BOX

VERTICAL FAN COIL SIZE		
DESIGNATION	MODEL	W x D
FCU-1T	450	508x660
FCU-15T	600	508x660
FCU-2T	800	508x660
FCU-25T	1000	508x660
FCU-3T	1200	508x660

NOTE: A MIN. OF 125mm IS REQUIRED ON THE SIDE OF PIPE RISER.

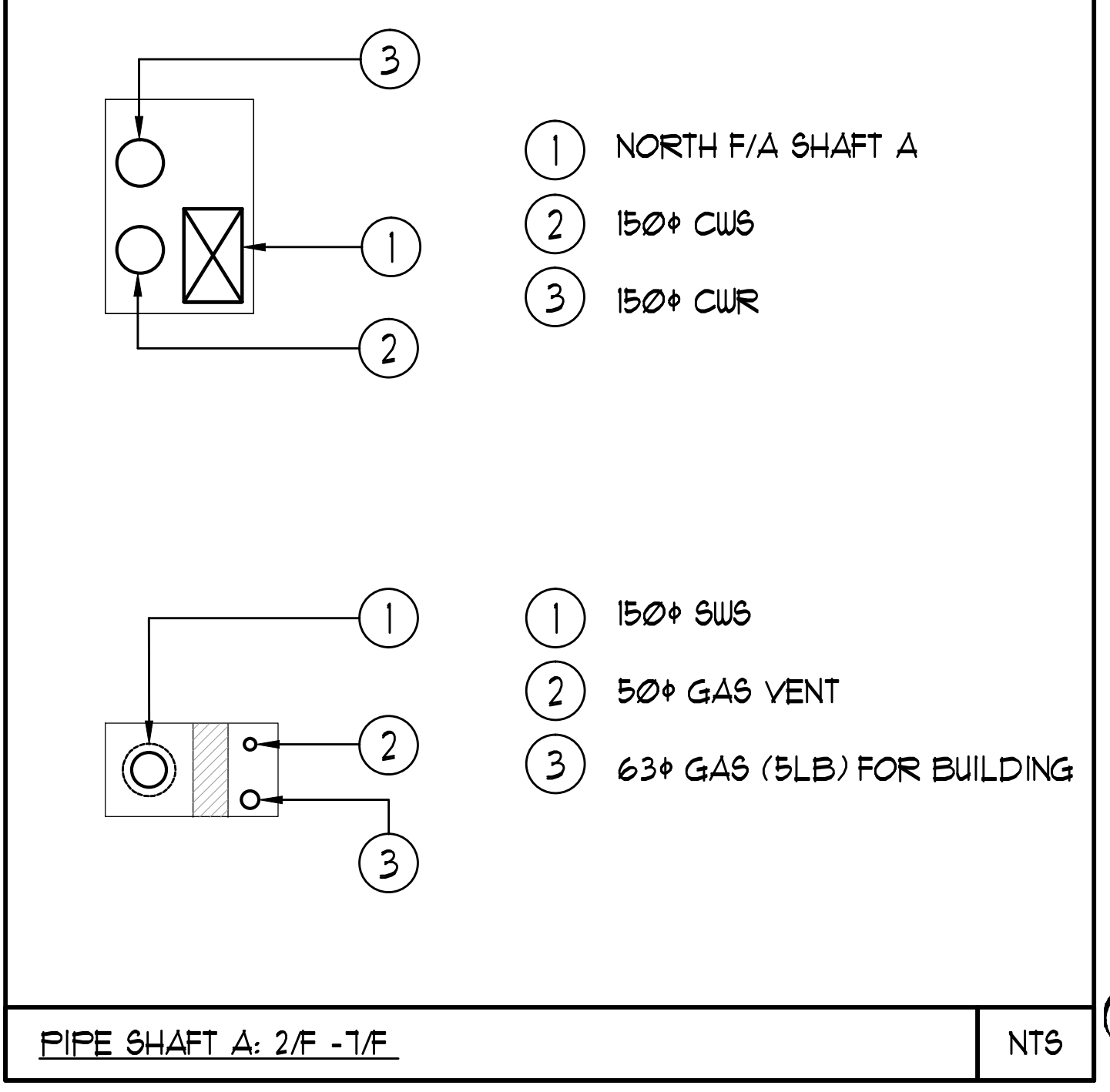
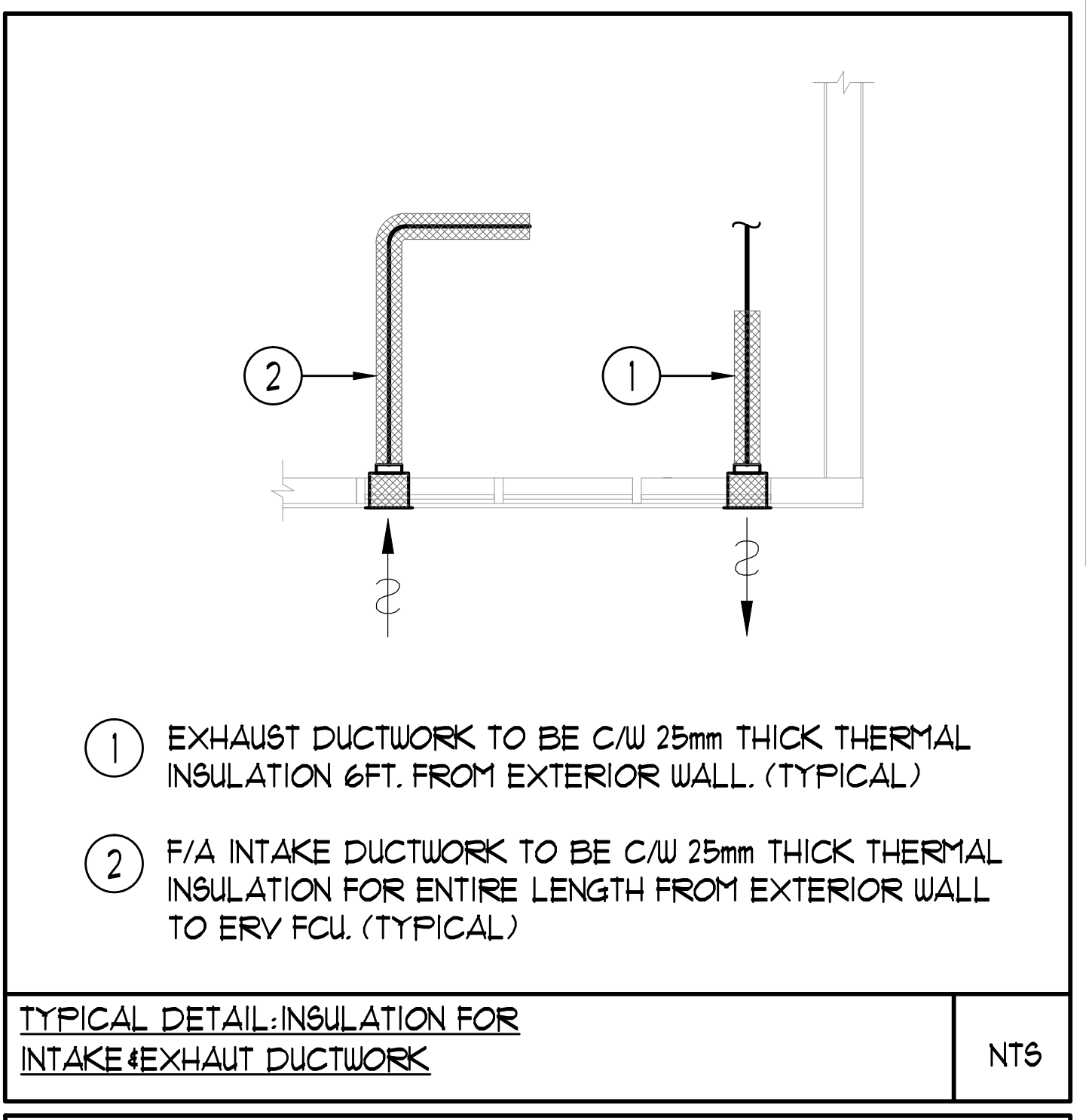
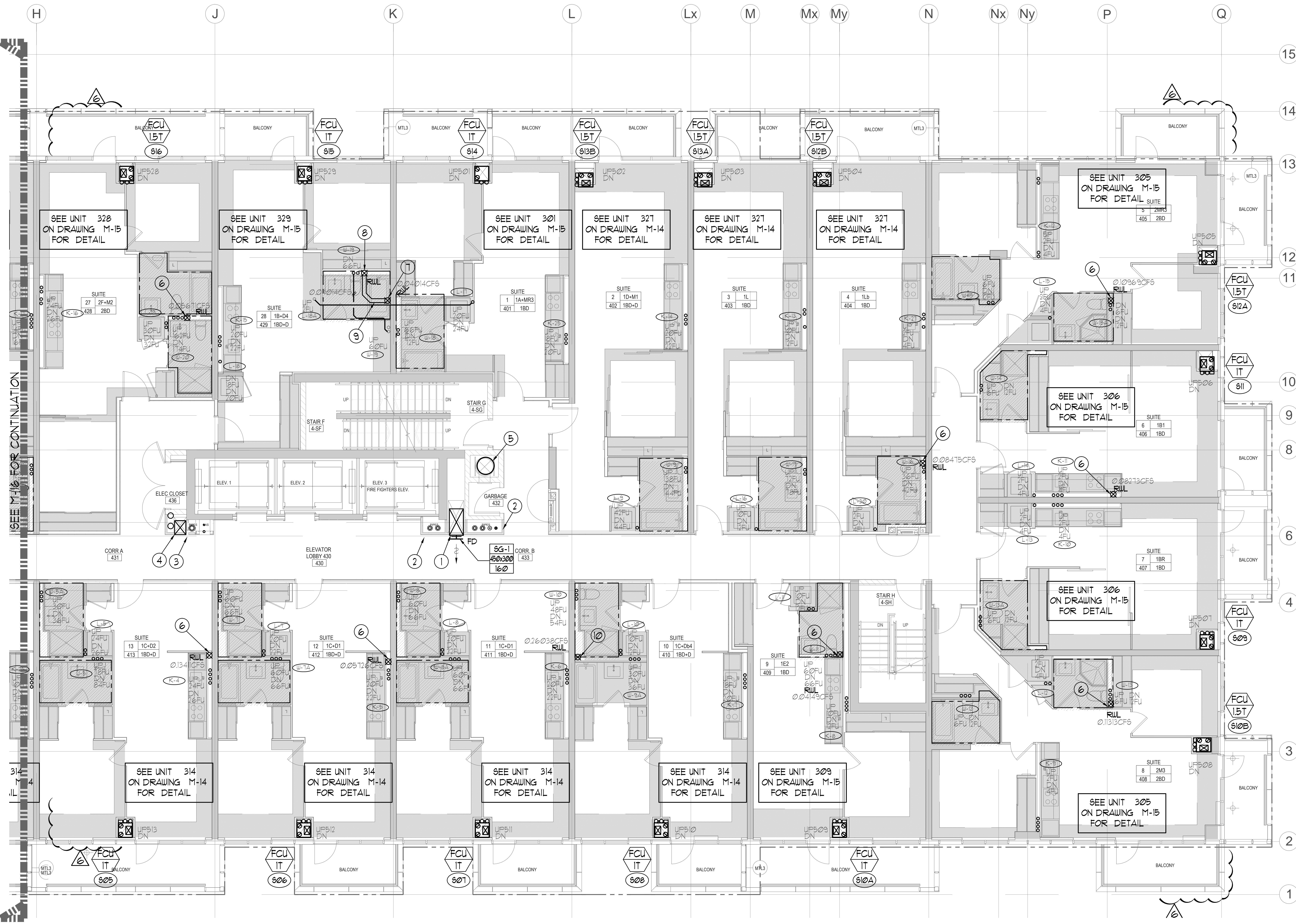
DUCT SIZING TABLE		
(4.06 m/s, 800 FPM)		
DESIGNATION	L/S	DUCT SIZE
(A)	41	100x150
(B)	71	150x150
(C)	94	200x150
(D)	118	200x150
(E)	141	250x150
(F)	165	300x150

DUCT SIZING TABLE		
DESIGNATION	L/S	DUCT SIZE
(G)	189	350x150
(H)	236	450x150
(J)	283	500x150
(K)	330	600x150
(L)	377	500x200

- GENERAL NOTES:
- CONTRACTOR SHALL CO-ORDINATE ARCHITECTURAL, STRUCTURAL, LIGHTING, HVAC, SPRINKLER DRAWINGS TO AVOID AREAS OF CONFLICT AND TO MAINTAIN CEILING HEIGHTS.
 - CONTRACTOR SHALL REPORT ALL DISCREPANCIES AND AREA OF CONFLICTS TO THE ENGINEER PRIOR TO WORK BEGINS.
 - PROVIDE EXPANSION CHAMBERS FOR ALL KITCHEN SINKS.
 - SEE INSTALLATION DETAILS DRAWING FOR WASHER, D.O.M, H.C WATER, SANITARY CONNECTION DETAILS.
 - SUPPLY AND INSTALL COMPLETE DOMESTIC HOT AND COLD WATER LINES, SANITARY AND VENT LINES TO EACH FIXTURE EQUIPMENT INCLUDING WATER CLOSETS, LAVATORIES, BATHS, SHOWERS, KITCHEN SINK, WASHING MACHINES, DISHWASHERS, AND FLOOR DRAINS, KITCHEN SINK, LAVATORIES, WATER CLOSETS AND WASHING MACHINE TO BE C/W LOCALIZED SHUT-OFF VALVES.
 - ALL VENT PIPE INSTALLATION TO COMPLY WITH PLUMBING CODES.
 - FOR D.H.C. W. RISER SIZES, REFER TO RISER DIAGRAM
 - FIRE DAMPERS ARE REQUIRED TO BE LISTED AND ARE TO HAVE FIRE PROTECTION RATING OF THE PENETRATED FIRE SEPARATION.
 - THE PIPING PENETRATING THE VARIOUS FIRE SEPARATION IS REQUIRED TO BE FIRESTOPPED WITH A LISTED FIRESTOPPING MATERIAL IN ACCORDANCE WITH OBC ARTICLE 3.13.1
 - THE FIRE HOSE CABINET THAT ARE RECESSED INTO THE EXIT STAIR SHAFTS ARE REQUIRED TO BE SEPARATED FROM THE EXIT STAIR BY A 2 HR FIRE SEPARATION.
 - NO FLEXIBLE DUCT SHALL BE USED FOR ANY IN-SUITE DUCTWORK.
 - PROVIDE 25MM EXTERNAL INSULATION TO ENTIRE FRESH AIR DUCT FROM EXTERIOR WALL TO ERY FAN COIL UNIT.
 - DRYER EXHAUST DUCT SHALL BE SMOOTH AND CORROSION-RESISTANT MATERIAL (FLEXIBLE CONNECTION IS NOT ACCEPTABLE).

LEGEND MECHANICAL

SYMBOL	DESCRIPTION
(Symbol)	SUPPLY AIR DRYER
(Symbol)	SUPPLY AIR TRAP
(Symbol)	LINEAR SUPPLY DIFFUSER
(Symbol)	THERMOSTAT
(Symbol)	FAN MOTOR
(Symbol)	RETURN AIR GRILLE
(Symbol)	EXHAUST AIR GRILLE
(Symbol)	SUPPLY DUCT UP
(Symbol)	SUPPLY DUCT DOWN
(Symbol)	RETURN DUCT UP
(Symbol)	RETURN DUCT DOWN
(Symbol)	EXHAUST DUCT UP
(Symbol)	EXHAUST DUCT DOWN
(Symbol)	FIRE DAMPER
(Symbol)	BALANCING DAMPER
(Symbol)	MOTORIZED DAMPER
(Symbol)	MOTORIZED FIRE DAMPER
(Symbol)	BACKDRIFT DAMPER
(Symbol)	OPPOSED BLADE VOLUME CONTROL DAMPER
(Symbol)	CO. LOCKING DAMPER
(Symbol)	TURNS VAVES
(Symbol)	FLEXIBLE CONNECTION
(Symbol)	ACOUSTIC INSULATION
(Symbol)	TYPE OF EQUIPMENT
(Symbol)	TYPE OF CONNECTION
(Symbol)	TYPE OF DAMPER OR GRILLE
(Symbol)	SMALL SIZE OR OFFER BECK SIZE
(Symbol)	ANGLE (ON OR L/S)
(Symbol)	SECTORS (3 PHASE / PHASE)
(Symbol)	IN-SUITE ERY PASTER BATH
(Symbol)	FAN SWITCH / IN-SUITE ERY OVERRIDE BUTTON
(Symbol)	CO. SENSOR
(Symbol)	GAS LINE
(Symbol)	GAS METER
(Symbol)	GAS SOCK
(Symbol)	PRESSURE REDUCING VALVE
(Symbol)	SANITARY ABOVE GRADE
(Symbol)	SANITARY BELOW GRADE
(Symbol)	STORM ABOVE GRADE
(Symbol)	STORM BELOW GRADE
(Symbol)	DOMESTIC COLD WATER
(Symbol)	DOMESTIC HOT WATER
(Symbol)	SANITARY VENT
(Symbol)	WATER PETER
(Symbol)	CO. FLOOR DRAIN
(Symbol)	IN-SUITE FLOOR DRAIN
(Symbol)	ROOF DRAIN
(Symbol)	AREA DRAIN
(Symbol)	LEVEL AREA DRAIN
(Symbol)	CATCH BASIN
(Symbol)	SANITARY TRAP
(Symbol)	ELBOW UP
(Symbol)	ELBOW DOWN
(Symbol)	WALL CLEANOUT
(Symbol)	FLOOR CLEANOUT
(Symbol)	HOSE BIBBS
(Symbol)	NON-PRESSURE HOSE BIBBS
(Symbol)	CO. GATE VALVE
(Symbol)	GATE VALVE
(Symbol)	BALL VALVE
(Symbol)	BUTTERFLY VALVE
(Symbol)	PRESSURE REDUCING VALVE
(Symbol)	CHECK VALVE
(Symbol)	CAP
(Symbol)	COPRESSURED AIR OUTLET
(Symbol)	BACKFLOW PREVENTER
(Symbol)	CIRCUIT BALANCING VALVE
(Symbol)	MULTIPLE PIPES
(Symbol)	DI. DIAGONAL NO. OF PIPES
(Symbol)	TEMPERATURE SENSOR
(Symbol)	THERMOPHETIC VALVE
(Symbol)	3-WAY MODULATING VALVE
(Symbol)	3-WAY MODULATING VALVE
(Symbol)	CO. 1/2" BUILDING 4 1/2" PLUS
(Symbol)	FLAT FLOOR TO GR. LEVEL
(Symbol)	HEADROOM FLOOR TO GR. LEVEL



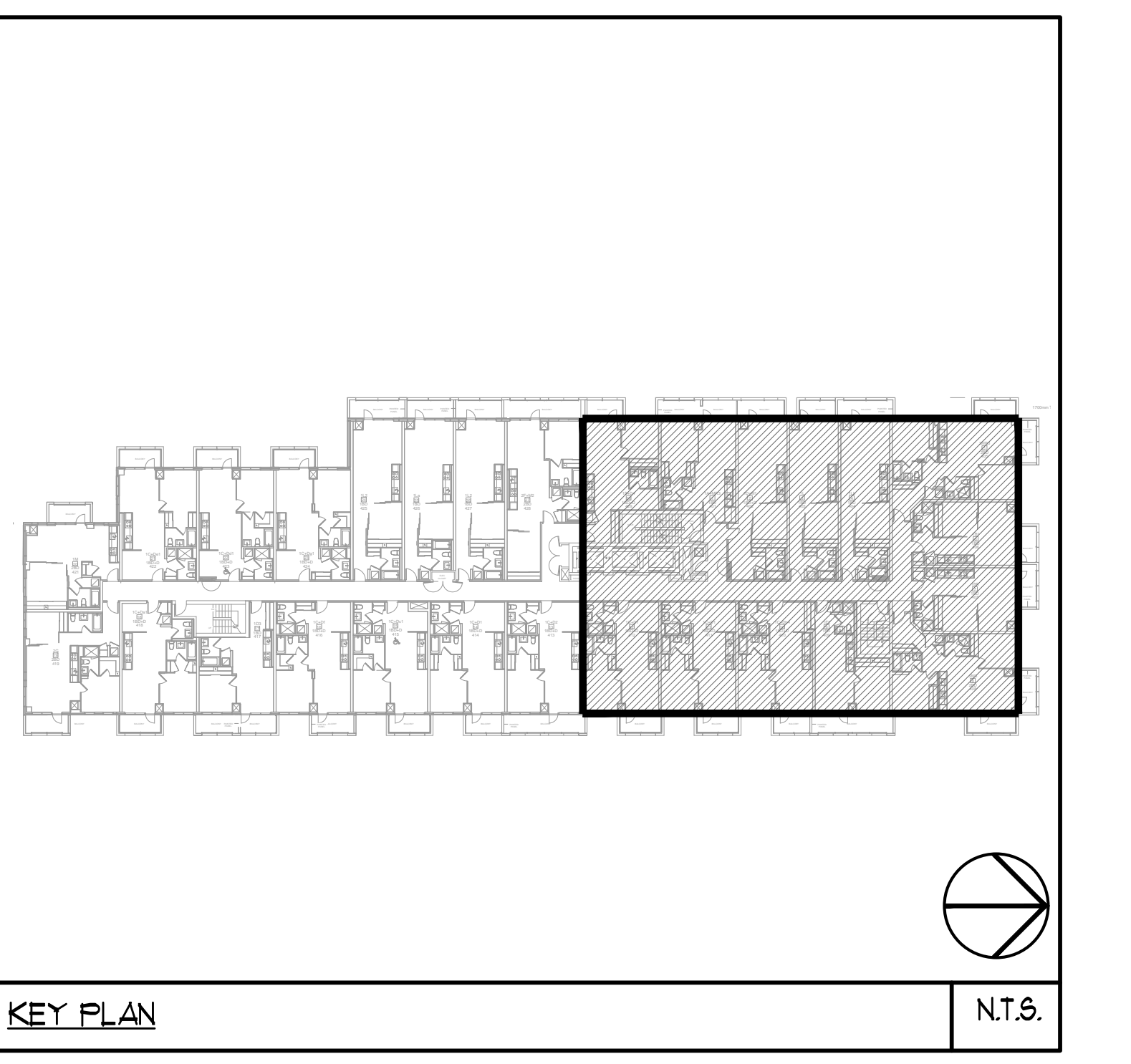
- ACOUSTIC NOTES:
- ALL SYSTEM/DOMESTIC PIPE LOOPS OR OFFSETS WHICH ARE 50MM DIA. AND LARGER SHALL BE ISOLATED USING NEOPRENE-IN-SHEAR HANGERS, AND ADDITIONAL 25 MM THICK RIBBED OR WAFFLED NEOPRENE PADS IN THE SADDLES OF CLEVIS HANGERS.
 - ALL PIPES SMALLER THAN 50MM DIA. SHALL BE ISOLATED WITH 5MM THICK RIBBED OR WAFFLED RUBBER PADS IN HANGER SADDLES.

- NOTES:
- NORTH F/A SHAFT B FROM G/F TO 14/F. DUCT SERVING CORRIDOR FROM G/F TO 14/F. SEE PRESSURIZATION / VENTILATION RISER DIAGRAM FOR DETAILS.
 - PIPE SHAFT - REFER TO PIPE RISER DETAIL ON THIS DRAWING FOR DETAILS.
 - 150mm KITCHEN / DRYER / W/R / FCU INTAKE / FCU EXHAUST DUCT. (TYPICAL UNLESS OTHERWISE NOTED)
 - NORTH F/A SHAFT A FROM G/F TO 14/F. DUCT SERVING CORRIDOR FROM 9/F TO 14/F. SEE PRESSURIZATION / VENTILATION RISER DIAGRAM FOR DETAILS.
 - 600mm GARBAGE CHUTE.
 - 100mm RUL FROM ABOVE AND DOWN.
 - 100mm RUL FROM ABOVE.
 - 100mm RUL DOWN.
 - 100mm STY 0.1%.
 - 150mm RUL FROM ABOVE AND DOWN.

REVISIONS

NO.	DESCRIPTION	DATE
1	BASED FOR SITE INSTRUCTION #11	EP
2	BASED FOR GFI CORRECT	EP
3	BASED FOR SITE INSTRUCTION #11	EP
4	BASED FOR SITE INSTRUCTION #11	EP
5	BASED FOR REVISION	EP
6	RE-BASED FOR PERMIT	EP
7	BASED FOR PERMIT	EP
8	BASED FOR PERMIT	EP

MARK VOID ALL PRINTS DATED PREVIOUS TO FINAL DATE ABOVE



NOVA ENGINEERING

175 West Beaver Creek Road, Unit 31
Richmond Hill, Ontario L4B 3M1
Tel: 905-882-5445
Fax: 905-882-5441

PROJECT TITLE: 50 ALEXANDRA PARK BLOCK II
38 CAMERON STREET TORONTO ONTARIO

DATE: FEB 13 2013
DRAWING NUMBER: M-11 OF 43