

UNIT	NAME	AREA (SQ. FT.)	# OF UR	# OF POWDER	SIZE (T)	FIXTURE UNITS	BR	SQ. FT/T
101	1A-MR2	525	1	0	1	10	1	525
102	1E-D4	660	2	0	1	16	1	660
105	3BTR	980	2	1	2	22	3	490
108	3BT	980	2	1	2	22	3	490
110	1F-D	660	2	0	1	16	1	660
111	1C-D	590	2	0	1	16	1	590
112	1C-D	590	2	0	1	16	1	590
113	1C-D1	590	2	0	1	16	1	590
128	2F-M4	1025	2	0	15	16	2	410
129	1B-D	580	1	0	1	10	1	580

DESIGNATION	SIZE	L/S (UNLESS OTHERWISE SPECIFIED)
SG-A	300x100	41-10
SG-B	300x150	71-93
SG-C	400x150	94-140
SG-D	450x150	141-188
EG-A	150x150	35
W-1	225x200	210mm(L)
W-2	425x200	INSULATED
W-3	625x200	WALL BOX

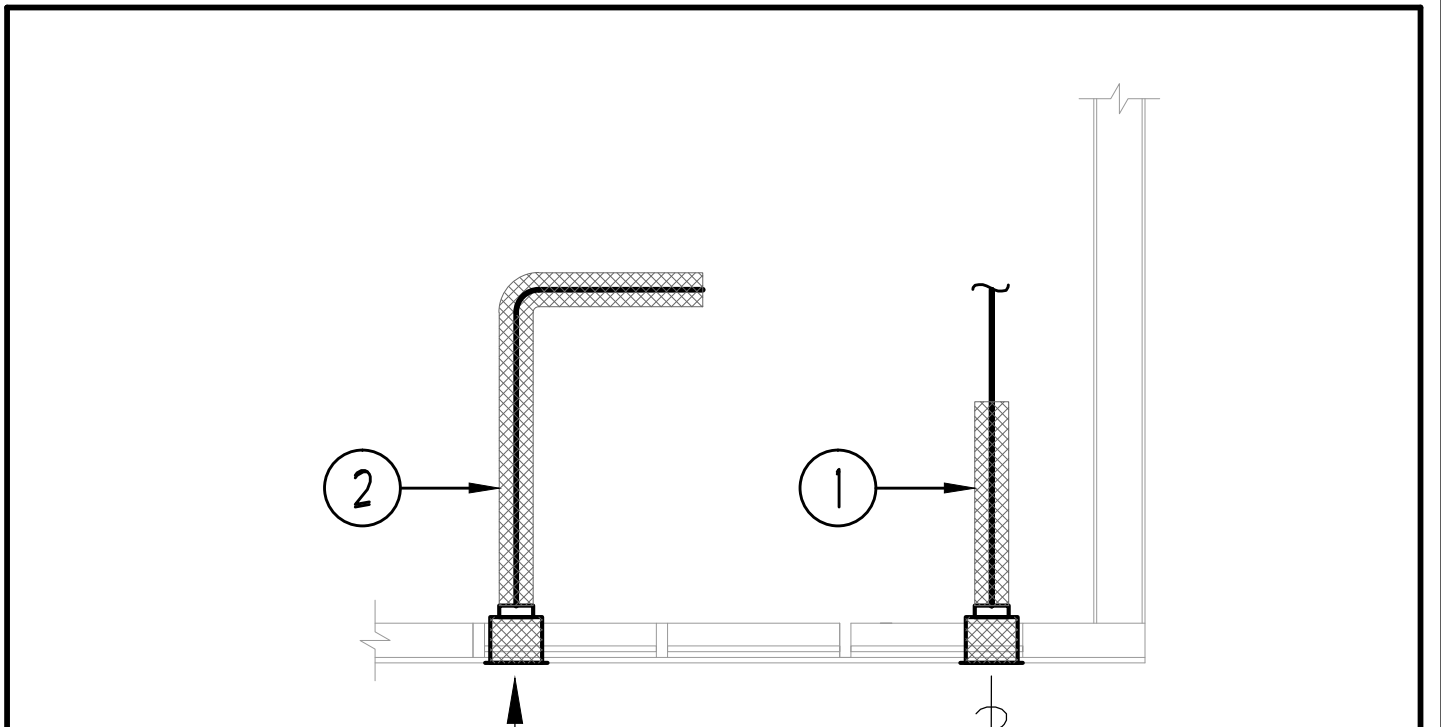
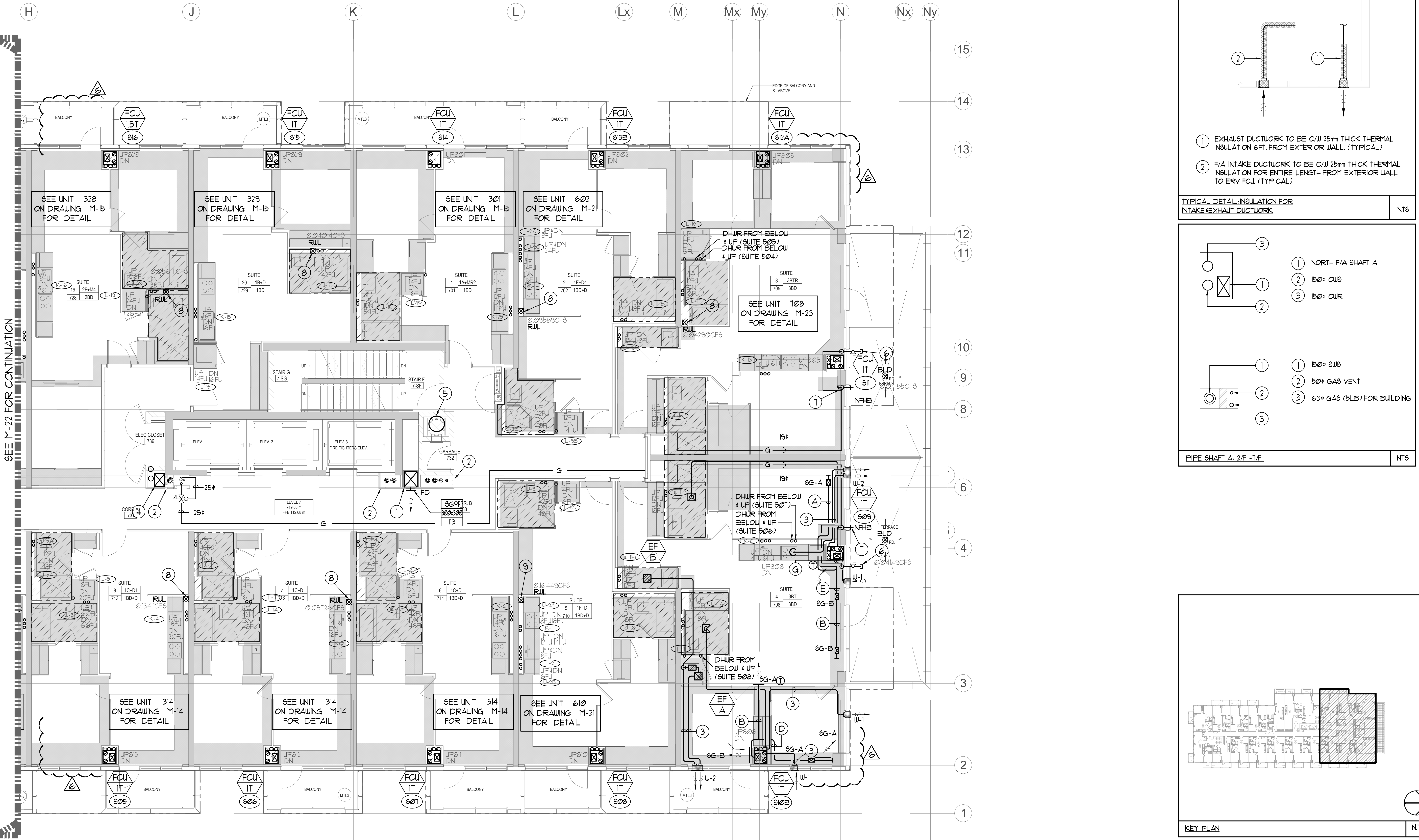
DESIGNATION	MODEL	W X D
FCU-1T	450	508x660
FCU-15T	600	508x660
FCU-2T	800	508x660
FCU-2.5T	1000	553x660
FCU-3T	1200	553x660

NOTE: A MIN. OF 125mm IS REQUIRED ON THE SIDE OF PIPE RISER.

DESIGNATION	L/S	DUCT SIZE	DESIGNATION	L/S	DUCT SIZE
(A)	41	100x150	(G)	109	350x150
(B)	71	150x150	(H)	236	450x150
(C)	94	200x150	(J)	283	500x150
(D)	118	200x150	(K)	330	600x150
(E)	141	250x150	(L)	377	500x200
(F)	165	300x150			

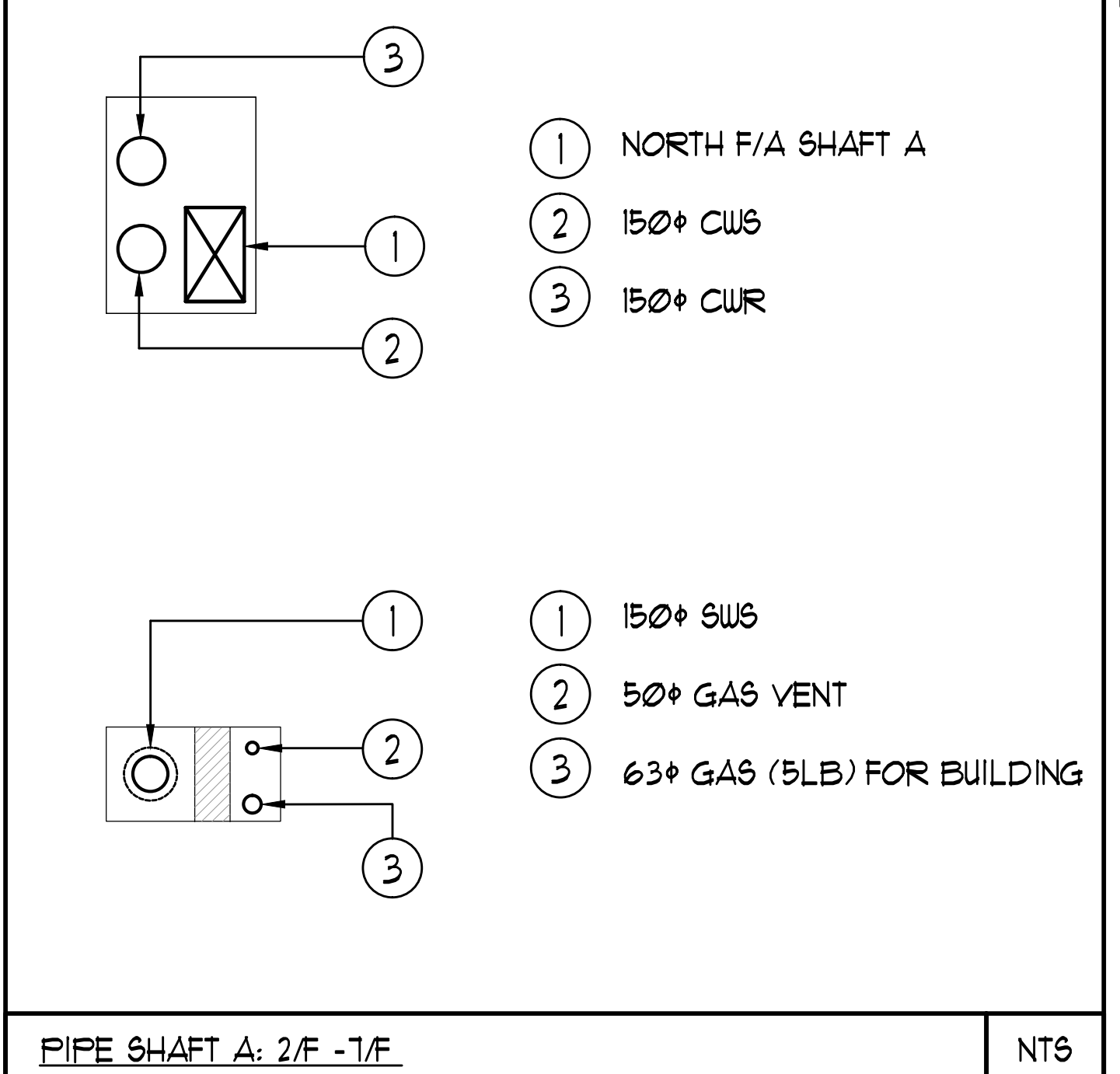
- GENERAL NOTES:
- CONTRACTOR SHALL CO-ORDINATE ARCHITECTURAL, STRUCTURAL, LIGHTING, HVAC, SPRINKLER DRAWINGS TO AVOID AREAS OF CONFLICT AND TO MAINTAIN CEILING HEIGHTS.
  - CONTRACTOR SHALL REPORT ALL DISCREPANCIES AND AREA OF CONFLICTS TO THE ENGINEER PRIOR TO WORK BEGINS.
  - PROVIDE EXPANSION CHAMBERS FOR ALL KITCHEN SINKS.
  - SEE INSTALLATION DETAILS DRAWING FOR WASHER, D.O.M, H.C WATER, SANITARY CONNECTION DETAILS.
  - SUPPLY AND INSTALL COMPLETE DOMESTIC HOT AND COLD WATER LINES, SANITARY AND VENT LINES TO EACH FIXTURE EQUIPMENT INCLUDING WATER CLOSETS, LAVATORIES, BATHS, SHOWERS, KITCHEN SINK, WASHING MACHINES, DISHWASHERS, AND FLOOR DRAINS, KITCHEN SINK, LAVATORIES, WATER CLOSETS AND WASHING MACHINE TO BE C/W LOCALIZED SHUT-OFF VALVES.
  - ALL VENT PIPE INSTALLATION TO COMPLY WITH PLUMBING CODES.
  - FOR D.H.C. W. RISER SIZES, REFER TO RISER DIAGRAM
  - FIRE DAMPERS ARE REQUIRED TO BE LISTED AND ARE TO HAVE FIRE PROTECTION RATING OF THE PENETRATED FIRE SEPARATION.
  - THE PIPING PENETRATING THE VARIOUS FIRE SEPARATION IS REQUIRED TO BE FIRESTOPPED WITH A LISTED FIRESTOPPING MATERIAL IN ACCORDANCE WITH OBC ARTICLE 3.13.1
  - THE FIRE HOSE CABINET THAT ARE RECESSED INTO THE EXIT STAIR SHAFTS ARE REQUIRED TO BE SEPARATED FROM THE EXIT STAIR BY A 2 HR FIRE SEPARATION.
  - NO FLEXIBLE DUCT SHALL BE USED FOR ANY IN-SUITE DUCTWORK.
  - PROVIDE 25MM EXTERNAL INSULATION TO ENTIRE FRESH AIR DUCT FROM EXTERIOR WALL TO ERV FAN COIL UNIT.
  - DRYER EXHAUST DUCT SHALL BE SMOOTH AND CORROSION-RESISTANT MATERIAL (FLEXIBLE CONNECTION IS NOT ACCEPTABLE).

SYMBOL	DESCRIPTION
(Symbol)	SUPPLY AIR DIFFUSER
(Symbol)	APPLY AIR INCREASER
(Symbol)	LINEAR SUPPLY DIFFUSER
(Symbol)	FAN MOTOR
(Symbol)	RETURN AIR GRILLE
(Symbol)	EXHAUST AIR GRILLE
(Symbol)	APPLY DUCT UP
(Symbol)	APPLY DUCT DOWN
(Symbol)	RETURN DUCT UP
(Symbol)	RETURN DUCT DOWN
(Symbol)	EXHAUST DUCT UP
(Symbol)	EXHAUST DUCT DOWN
(Symbol)	FIRE DAMPER
(Symbol)	BALANCING DAMPER
(Symbol)	MOTORIZED DAMPER
(Symbol)	MOTORIZED FIRE DAMPER
(Symbol)	BACKDRIFT DAMPER
(Symbol)	OPPOSED BLADE VOLUME CONTROL DAMPER
(Symbol)	CO2 SENSING DAMPER
(Symbol)	TURNS VAVES
(Symbol)	FLEXIBLE CONNECTION
(Symbol)	ACOUSTIC INSULATION
(Symbol)	TYPE OF EQUIPMENT
(Symbol)	REQUIREMENT CONNECTION
(Symbol)	TYPE OF DAMPER OR GRILLE
(Symbol)	SMALL SIZE OR OFFSHORE WORK SIZE
(Symbol)	ANALOG (CM OR LSI)
(Symbol)	STARTER (3 PHASE / PHASE)
(Symbol)	IN-SUITE ERV EXHAUST MOTOR
(Symbol)	FAN MOTOR / IN-SUITE ERV OVERRIDE BUTTON
(Symbol)	CO SENSOR
(Symbol)	GAS LINE
(Symbol)	GAS METER
(Symbol)	GAS SOCK
(Symbol)	PRESSURE REDUCING VALVE
(Symbol)	BANITARY ABOVE GRADE
(Symbol)	BANITARY BELOW GRADE
(Symbol)	STORM ABOVE GRADE
(Symbol)	STORM BELOW GRADE
(Symbol)	DOMESTIC COLD WATER
(Symbol)	DOMESTIC HOT WATER
(Symbol)	BANITARY VENT
(Symbol)	BANITARY TRAP
(Symbol)	WATER PIPES
(Symbol)	FLOOR DRAIN
(Symbol)	INSET FLOOR DRAIN
(Symbol)	ROOF DRAIN
(Symbol)	LAB DRAIN
(Symbol)	AREA DRAIN
(Symbol)	BI-LEVEL AREA DRAIN
(Symbol)	CATCH BASIN
(Symbol)	BANITARY TRAP
(Symbol)	ELBOW UP
(Symbol)	ELBOW DOWN
(Symbol)	WALL CLEANOUT
(Symbol)	FLOOR CLEANOUT
(Symbol)	HOSE BIBB
(Symbol)	NON-PRESSURE HOSE BIBB
(Symbol)	GLOBE VALVE
(Symbol)	GATE VALVE
(Symbol)	BALL VALVE
(Symbol)	BUTTERFLY VALVE
(Symbol)	PRESSURE REDUCING VALVE
(Symbol)	CAP
(Symbol)	COPRESSURED AIR OUTLET
(Symbol)	BACKFLOW PREVENTER
(Symbol)	CIRCUIT BALANCING VALVE
(Symbol)	VALVE IDENTIFIER NO. OF PIPES
(Symbol)	TEMPERATURE SENSOR
(Symbol)	THERMISTOR
(Symbol)	1-WAY MODULATING VALVE
(Symbol)	3-WAY MODULATING VALVE
(Symbol)	174-175 THERMISTOR
(Symbol)	C/W 1/2" BUSHING 4 1/2" PLUGS
(Symbol)	FLOOR ELEVATION ABOVE LEVEL
(Symbol)	HEADROOM FLOOR TO CEILING

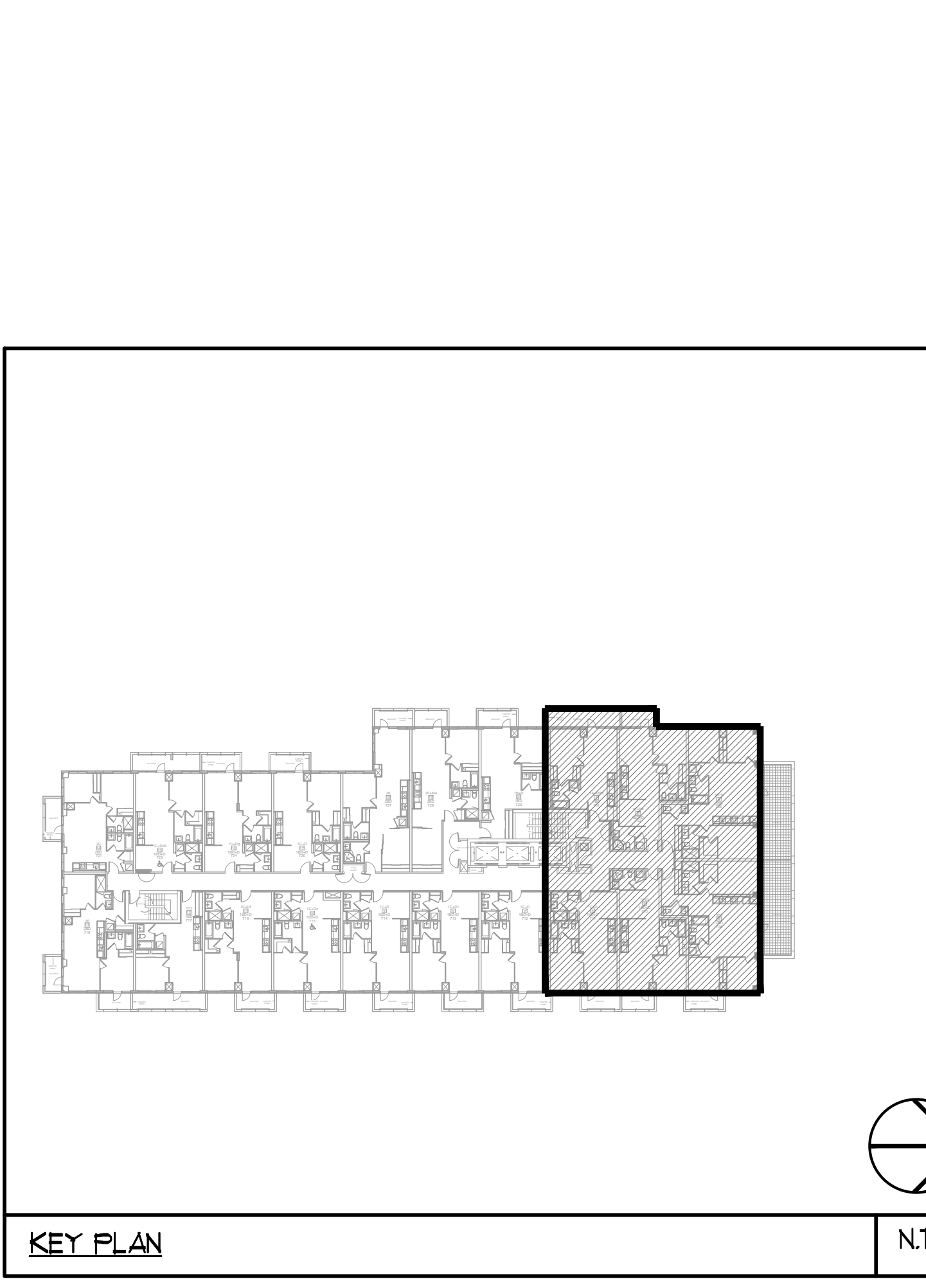


- EXHAUST DUCTWORK TO BE C/W 25mm THICK THERMAL INSULATION 6FT. FROM EXTERIOR WALL. (TYPICAL)
- F/A INTAKE DUCTWORK TO BE C/W 25mm THICK THERMAL INSULATION FOR ENTIRE LENGTH FROM EXTERIOR WALL TO ERV FCU. (TYPICAL)

TYPICAL DETAIL INSULATION FOR INTAKE/EXHAUST DUCTWORK. NT5



PIPE SHAFT A: 2/F -1/F. NT5



PIPE SHAFT B: 2/F -1/F. NT5

- ACOUSTIC NOTES:
- ALL SYSTEM/DOMESTIC PIPE LOOPS OR OFFSETS WHICH ARE 50MM DIA. AND LARGER SHALL BE ISOLATED USING NEOPRENE-IN-SHEAR HANGERS, AND ADDITIONAL 25 MM THICK RIBBED OR WAFFLED NEOPRENE PADS IN THE SADDLES OF CLEVIS HANGERS.
  - ALL PIPES SMALLER THAN 50MM DIA. SHALL BE ISOLATED WITH 5MM THICK RIBBED OR WAFFLED RUBBER PADS IN HANGER SADDLES.

- NOTES:
- NORTH F/A SHAFT B FROM G/F TO 14/F. DUCT SERVING CORRIDOR FROM G/F TO 14/F. SEE PRESSURIZATION / VENTILATION RISER DIAGRAM FOR DETAILS.
  - PIPE SHAFT - REFER TO PIPE RISER DETAIL ON THIS DRAWING FOR DETAILS.
  - NORTH F/A SHAFT A FROM G/F TO 14/F. DUCT SERVING CORRIDOR FROM G/F TO 14/F. SEE PRESSURIZATION / VENTILATION RISER DIAGRAM FOR DETAILS.
  - 600+ GARBAGE CHUTE.
  - 18+ GAS PIPE C/W VALVE AND CAP FOR BBQ.
  - 18+ DCW FOR NFHB TO BE CONNECTED TO SUITE'S MAIN DCW LINE.
  - 100+ R/W FROM ABOVE AND DOWN.
  - 150+ R/W FROM ABOVE AND DOWN.

NO.	DATE	DESCRIPTION	BY
01		BASED FOR PERMIT	EP
02		BASED FOR PERMIT	EP
03		BASED FOR PERMIT	EP
04		BASED FOR PERMIT	EP
05		BASED FOR PERMIT	EP
06		BASED FOR PERMIT	EP
07		BASED FOR PERMIT	EP
08		BASED FOR PERMIT	EP
09		BASED FOR PERMIT	EP
10		BASED FOR PERMIT	EP
11		BASED FOR PERMIT	EP
12		BASED FOR PERMIT	EP
13		BASED FOR PERMIT	EP
14		BASED FOR PERMIT	EP
15		BASED FOR PERMIT	EP
16		BASED FOR PERMIT	EP
17		BASED FOR PERMIT	EP
18		BASED FOR PERMIT	EP
19		BASED FOR PERMIT	EP
20		BASED FOR PERMIT	EP
21		BASED FOR PERMIT	EP
22		BASED FOR PERMIT	EP
23		BASED FOR PERMIT	EP
24		BASED FOR PERMIT	EP
25		BASED FOR PERMIT	EP
26		BASED FOR PERMIT	EP
27		BASED FOR PERMIT	EP
28		BASED FOR PERMIT	EP
29		BASED FOR PERMIT	EP
30		BASED FOR PERMIT	EP
31		BASED FOR PERMIT	EP
32		BASED FOR PERMIT	EP
33		BASED FOR PERMIT	EP
34		BASED FOR PERMIT	EP
35		BASED FOR PERMIT	EP
36		BASED FOR PERMIT	EP
37		BASED FOR PERMIT	EP
38		BASED FOR PERMIT	EP
39		BASED FOR PERMIT	EP
40		BASED FOR PERMIT	EP
41		BASED FOR PERMIT	EP
42		BASED FOR PERMIT	EP
43		BASED FOR PERMIT	EP
44		BASED FOR PERMIT	EP
45		BASED FOR PERMIT	EP
46		BASED FOR PERMIT	EP
47		BASED FOR PERMIT	EP
48		BASED FOR PERMIT	EP
49		BASED FOR PERMIT	EP
50		BASED FOR PERMIT	EP

CONTRACTOR MUST CHECK AND VERIFY ALL DIMENSIONS AND CONDITIONS ON THE JOB AND REPORT DISCREPANCIES TO THE ENGINEER BEFORE PROCEEDING WITH THE WORK. THIS DRAWING IS THE PROPERTY OF THE ENGINEER AND NOT BE REPRODUCED FROM COMPLETION OF THE WORK.

DRAWINGS ARE NOT TO BE SCALED

NOVA ENGINEERING  
175 West Beaver Creek Road Unit 31  
Richmond Hill, Ontario L4B 3M1  
Tel: 905-882-5445  
Fax: 905-882-5441

DRAWING TITLE: T/F NORTH MECHANICAL LAYOUT

PROJECT TITLE: SG ALEXANDRA PARK BLOCK II  
38 CAMERON STREET TORONTO ONTARIO

DATE: FEB 13 2013  
PROJECT NUMBER: M-23  
DRAWING NUMBER: 1:50  
SCALE: 1:50