

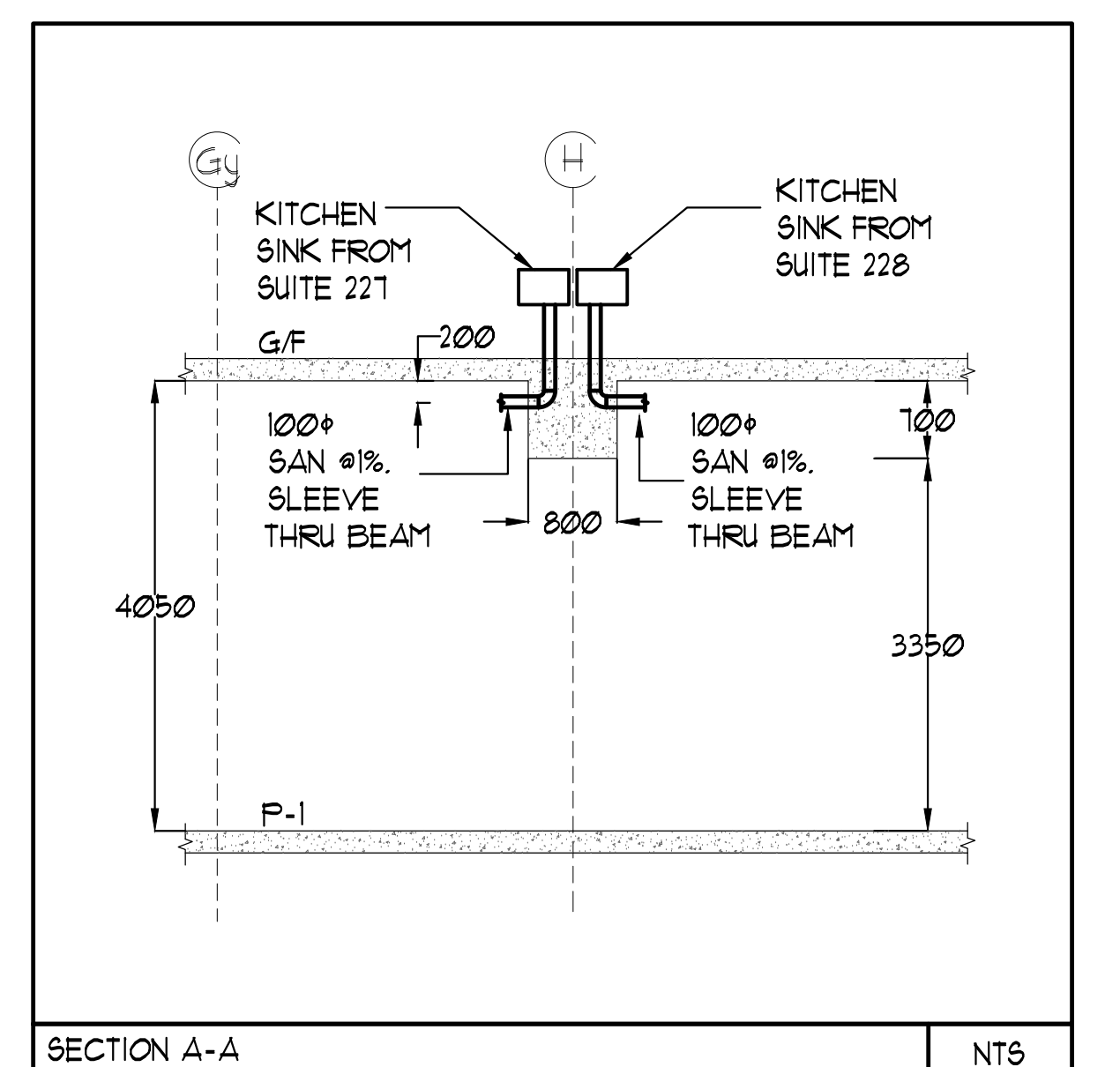
REFER TO DWG M-6 FOR GENERAL NOTES AND M-9 FOR ACOUSTIC NOTES

CLEAR FLOOR TO UNDERSLAB = 405mm
 CLEAR PRODUCT = 3000mm
 COMPLETE DROP CEILING = 1000mm FOR DUCT/PIPES
 ROOF DRAINS & TERRACE DRAINS FROM 2/F

NOTES:

- 1 100ø SAN @ 1%.
- 2 150ø SAN @ 1%.
- 3 100ø SAN DOWN.
- 4 150ø SAN DOWN.
- 5 100ø DCW (LZ) & 100ø DCW (HZ) FROM BELOW.
- 6 75ø DHW (LZ) FROM BELOW & 50ø DHUR (LZ) DOWN.
- 7 50ø DCW (LZ), 38ø DHU (LZ) & 100ø DCW (HZ).
- 8 38ø DCW (LZ) & 100ø DCW (HZ).
- 9 32ø DHU (LZ) & 50ø DHUR.
- 10 100ø DCW (LZ) & 75ø DHU (LZ).
- 11 50ø DHUR.
- 12 PIPES INSIDE 2HR FIRE RATED ENCLOSURE. ENCLOSURE BY OTHERS.
- 13 19ø DCW & 19ø DHU DOWN TO SERVE (1) LAVATORY.
- 14 32ø DCW & 25ø DHU.
- 15 38ø DCW & 32ø DHU.
- 16 25ø CONDENSATE PIPE CONNECT INDIRECTLY TO THE NEAREST WASTE.
- 17 50ø CONDENSATE PIPE CONNECT INDIRECTLY TO THE NEAREST WASTE.
- 18 25ø DCW DOWN TO SERVE (1) WATER CLOSET.
- 19 19ø DCW & 19ø DHU DOWN TO SERVE (1) SHOWER.
- 20 50ø CONDENSATE PIPE DOWN.
- 21 DCW MANIFOLD A, SEE DCW MANIFOLD A DETAIL ON THIS DRAWING.
- 22 DHU MANIFOLD A, SEE DHU MANIFOLD B DETAIL ON THIS DRAWING.
- 23 19ø DCW & 19ø DHU DOWN TO SERVE (1) KITCHEN SINK.
- 24 19ø CONDENSATE PIPE DOWN.
- 25 100ø R/WL FROM ABOVE.
- 26 100ø R/WL DOWN.
- 27 100ø 5TM @ 1%.
- 28 150ø R/WL FROM ABOVE.
- 29 150ø 5TM @ 1%.
- 30 150ø R/WL DOWN.
- 31 5TM PIPE TO BE HEAT TRACE BY DIV.6 AND INSULATE & JACKET BY DIV.5.
- 32 200ø 5TM @ 1%.
- 33 250ø R/WL DOWN.
- 34 250ø 5TM @ 1%.
- 35 SLEEVE THRU BEAM (TYPICAL).
- 36 19ø DCW & 19ø DHU DOWN TO SERVE (1) JANITOR SINK.
- 37 WHIRLPOOL DRAIN, EXACT LOCATION TO BE CONFIRMED BY WHIRLPOOL CONSULTANT.
- 38 VERIFY HEIGHT /U.I.D. & ARCH IF SLEEVING IS REQ'D.
- 39 19ø DCW DOWN TO SERVE WATER FOUNTAIN.
- 40 100ø DCW (LZ) & 75ø DHU (LZ) UP.

LEGEND MECHANICAL	
SYMBOL	DESCRIPTION
[Symbol]	SUPPLY AIR DUCT
[Symbol]	SUPPLY AIR TRUNK
[Symbol]	LINEAR SUPPLY DUCT
[Symbol]	FAN NOISE
[Symbol]	RETURN AIR GRILLE
[Symbol]	EXHAUST AIR GRILLE
[Symbol]	SUPPLY DUCT UP
[Symbol]	SUPPLY DUCT DOWN
[Symbol]	RETURN DUCT UP
[Symbol]	RETURN DUCT DOWN
[Symbol]	EXHAUST DUCT UP
[Symbol]	EXHAUST DUCT DOWN
[Symbol]	FIRE DAMPER
[Symbol]	BALANCING DAMPER
[Symbol]	MOTORIZED DAMPER
[Symbol]	MOTORIZED FIRE DAMPER
[Symbol]	BACKDRIFT DAMPER
[Symbol]	OPPOSITE BLAZE VALVE CONTROL DAMPER
[Symbol]	TURNING VANES
[Symbol]	FLEXIBLE CONNECTION
[Symbol]	ACOUSTIC INSULATION
[Symbol]	TYPE OF EQUIPMENT
[Symbol]	EQUIPMENT CONNECTION
[Symbol]	TYPE OF DAMPER OR GRILLE
[Symbol]	SMALL SIZE OR OFFER MAKE SIZE
[Symbol]	ANULOU (CH OR LZ)
[Symbol]	STARTER / 3 PHASE / 1 PHASE /
[Symbol]	FAN SWITCH / IN-SITE ERY OVERRIDE BUTTON
[Symbol]	CO SENSOR
[Symbol]	GAS LINE
[Symbol]	GAS METER
[Symbol]	GAS STOP
[Symbol]	PRESSURE REDUCING VALVE
[Symbol]	BANITARY ABOVE GRADE
[Symbol]	BANITARY BELOW GRADE
[Symbol]	ATOMI ABOVE GRADE
[Symbol]	ATOMI BELOW GRADE
[Symbol]	COPPER/STAINLESS COPPER
[Symbol]	COPPER/STAINLESS COPPER
[Symbol]	BANITARY VENT
[Symbol]	WATER PIPES
[Symbol]	FLOOR DRAIN
[Symbol]	RUNNEL FLOOR DRAIN
[Symbol]	AREA DRAIN
[Symbol]	ROOF DRAIN
[Symbol]	BLAD DRAIN
[Symbol]	AREA DRAIN
[Symbol]	BLAD AREA DRAIN
[Symbol]	CATCH BASIN
[Symbol]	BANITARY TRAP
[Symbol]	ELBOW UP
[Symbol]	ELBOW DOWN
[Symbol]	WALL CLEANOUT
[Symbol]	FLOOR CLEANOUT
[Symbol]	HOSE BIBB
[Symbol]	NON-FREEZE HOSE BIBB
[Symbol]	GATE VALVE
[Symbol]	BALL VALVE
[Symbol]	BUTTERFLY VALVE
[Symbol]	PRESSURE REDUCING VALVE
[Symbol]	CHIEF VALVE
[Symbol]	CAP
[Symbol]	COMPRESSED AIR OUTLET
[Symbol]	BACKFLOW PREVENTER
[Symbol]	CIRCUIT BALANCING VALVE
[Symbol]	MULTIPLE PIPE
[Symbol]	DENOTES NO. OF PIPES
[Symbol]	TEMPERATURE SENSOR
[Symbol]	TEMPERATURE TRANSDUCER
[Symbol]	2-WAY MODULATING VALVE
[Symbol]	3-WAY MODULATING VALVE
[Symbol]	17-WAYED TRANSDUCER
[Symbol]	CU 1/2" BUSHING & 1/2" PLUGS
[Symbol]	FLOOR ELEVATION ABOVE LEVEL
[Symbol]	HEADROOM FLOOR TO US LEVEL



NO.	DATE	DESCRIPTION
1	2015-08-19	ISSUED FOR PERMIT
2	2015-08-19	ISSUED FOR PERMIT
3	2015-08-19	ISSUED FOR PERMIT
4	2015-08-19	ISSUED FOR PERMIT
5	2015-08-19	ISSUED FOR PERMIT
6	2015-08-19	ISSUED FOR PERMIT
7	2015-08-19	ISSUED FOR PERMIT
8	2015-08-19	ISSUED FOR PERMIT
9	2015-08-19	ISSUED FOR PERMIT
10	2015-08-19	ISSUED FOR PERMIT
11	2015-08-19	ISSUED FOR PERMIT
12	2015-08-19	ISSUED FOR PERMIT
13	2015-08-19	ISSUED FOR PERMIT
14	2015-08-19	ISSUED FOR PERMIT
15	2015-08-19	ISSUED FOR PERMIT
16	2015-08-19	ISSUED FOR PERMIT
17	2015-08-19	ISSUED FOR PERMIT
18	2015-08-19	ISSUED FOR PERMIT
19	2015-08-19	ISSUED FOR PERMIT
20	2015-08-19	ISSUED FOR PERMIT
21	2015-08-19	ISSUED FOR PERMIT
22	2015-08-19	ISSUED FOR PERMIT
23	2015-08-19	ISSUED FOR PERMIT
24	2015-08-19	ISSUED FOR PERMIT
25	2015-08-19	ISSUED FOR PERMIT
26	2015-08-19	ISSUED FOR PERMIT
27	2015-08-19	ISSUED FOR PERMIT
28	2015-08-19	ISSUED FOR PERMIT
29	2015-08-19	ISSUED FOR PERMIT
30	2015-08-19	ISSUED FOR PERMIT
31	2015-08-19	ISSUED FOR PERMIT
32	2015-08-19	ISSUED FOR PERMIT
33	2015-08-19	ISSUED FOR PERMIT
34	2015-08-19	ISSUED FOR PERMIT
35	2015-08-19	ISSUED FOR PERMIT
36	2015-08-19	ISSUED FOR PERMIT
37	2015-08-19	ISSUED FOR PERMIT
38	2015-08-19	ISSUED FOR PERMIT
39	2015-08-19	ISSUED FOR PERMIT
40	2015-08-19	ISSUED FOR PERMIT

NO.	DATE	DESCRIPTION
1	2015-08-19	ISSUED FOR PERMIT
2	2015-08-19	ISSUED FOR PERMIT
3	2015-08-19	ISSUED FOR PERMIT
4	2015-08-19	ISSUED FOR PERMIT
5	2015-08-19	ISSUED FOR PERMIT
6	2015-08-19	ISSUED FOR PERMIT
7	2015-08-19	ISSUED FOR PERMIT
8	2015-08-19	ISSUED FOR PERMIT
9	2015-08-19	ISSUED FOR PERMIT
10	2015-08-19	ISSUED FOR PERMIT
11	2015-08-19	ISSUED FOR PERMIT
12	2015-08-19	ISSUED FOR PERMIT
13	2015-08-19	ISSUED FOR PERMIT
14	2015-08-19	ISSUED FOR PERMIT
15	2015-08-19	ISSUED FOR PERMIT
16	2015-08-19	ISSUED FOR PERMIT
17	2015-08-19	ISSUED FOR PERMIT
18	2015-08-19	ISSUED FOR PERMIT
19	2015-08-19	ISSUED FOR PERMIT
20	2015-08-19	ISSUED FOR PERMIT
21	2015-08-19	ISSUED FOR PERMIT
22	2015-08-19	ISSUED FOR PERMIT
23	2015-08-19	ISSUED FOR PERMIT
24	2015-08-19	ISSUED FOR PERMIT
25	2015-08-19	ISSUED FOR PERMIT
26	2015-08-19	ISSUED FOR PERMIT
27	2015-08-19	ISSUED FOR PERMIT
28	2015-08-19	ISSUED FOR PERMIT
29	2015-08-19	ISSUED FOR PERMIT
30	2015-08-19	ISSUED FOR PERMIT
31	2015-08-19	ISSUED FOR PERMIT
32	2015-08-19	ISSUED FOR PERMIT
33	2015-08-19	ISSUED FOR PERMIT
34	2015-08-19	ISSUED FOR PERMIT
35	2015-08-19	ISSUED FOR PERMIT
36	2015-08-19	ISSUED FOR PERMIT
37	2015-08-19	ISSUED FOR PERMIT
38	2015-08-19	ISSUED FOR PERMIT
39	2015-08-19	ISSUED FOR PERMIT
40	2015-08-19	ISSUED FOR PERMIT

NOVA
 CONSULTANTS

175 West Beaver Creek Road Unit 31
 Richmond Hill, Ontario L4B 3M1
 Tel: 905-882-5445
 Fax: 905-882-5441

DRAWN BY: G.S.
 PROJECT NUMBER: 1313
 DATE: FEB 13

DESIGNED BY: E.P.
 PROJECT NUMBER: 1313
 DATE: FEB 13

SCALE: 1:50
 DRAWING NUMBER: M-10
 OF 45