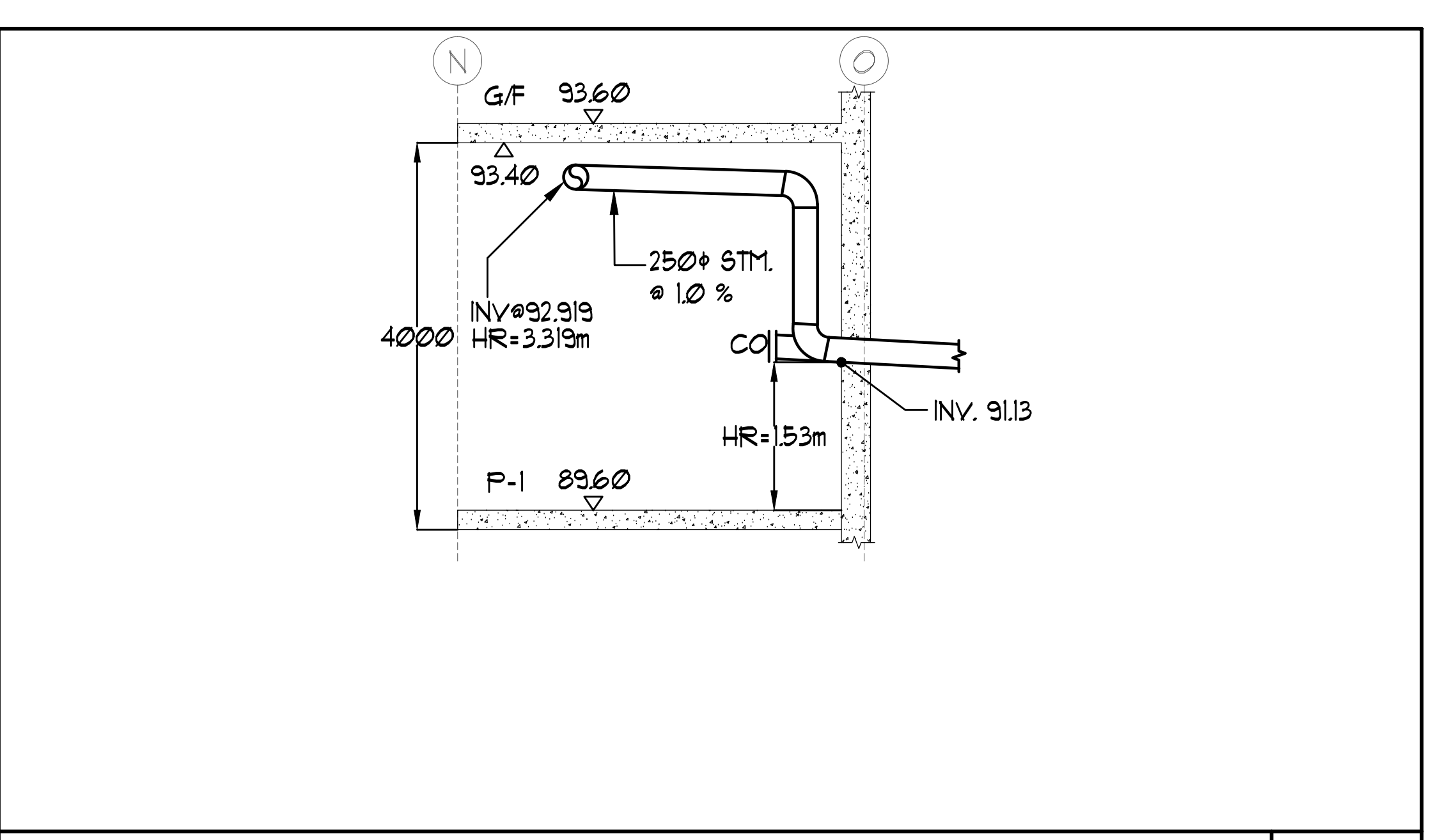
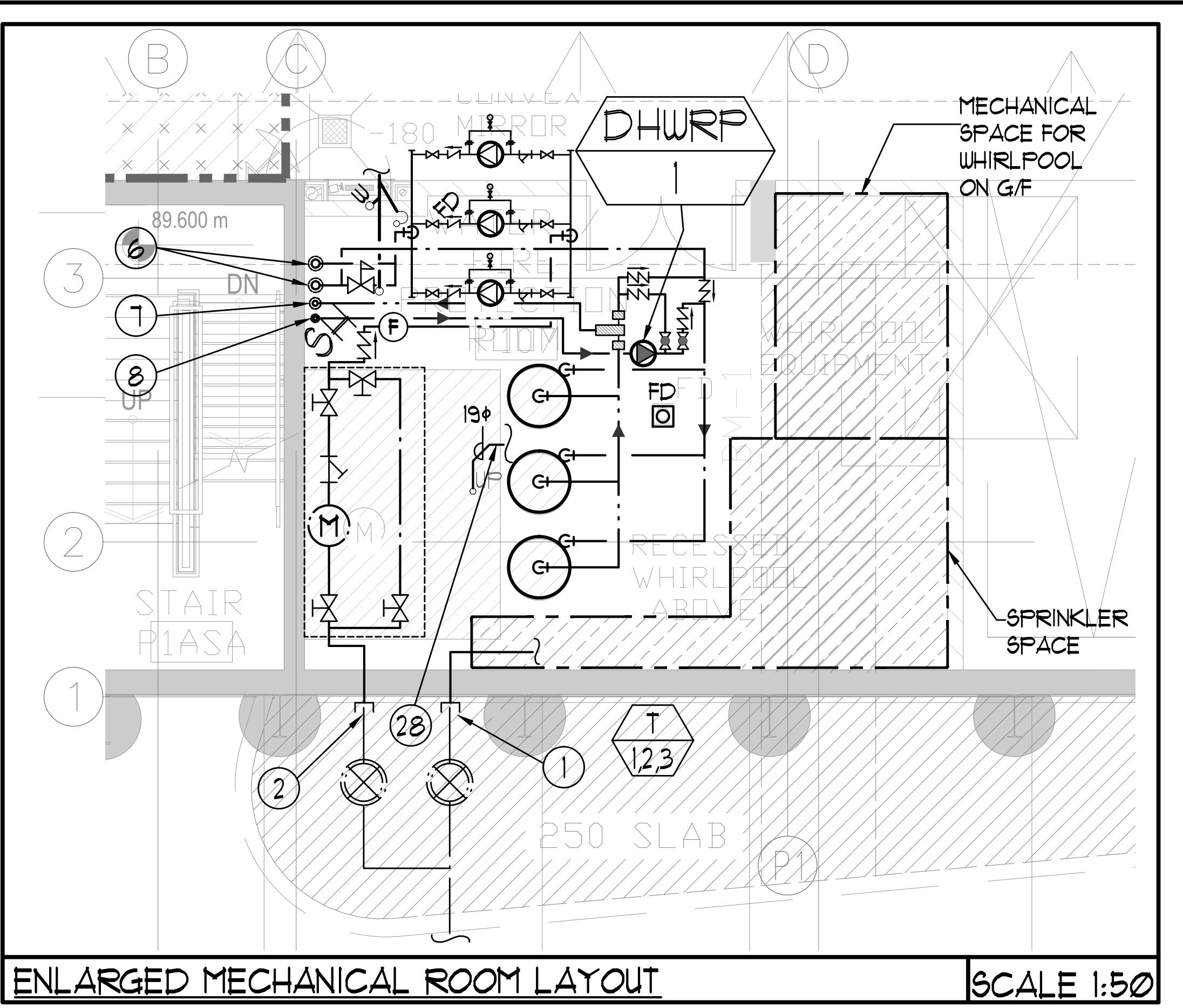


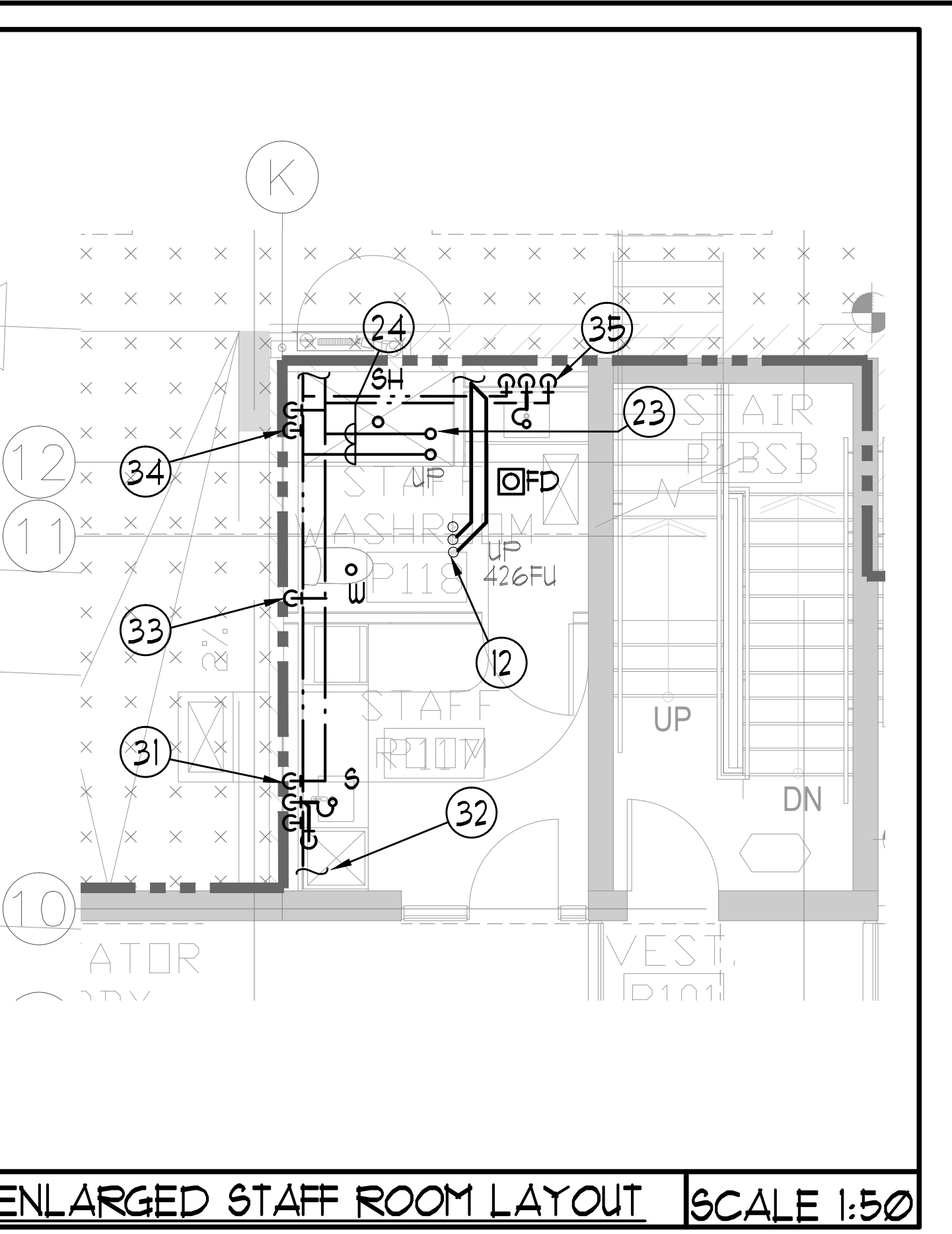
SANITARY PIPE DETAIL SECTION A-A N.T.S.



STORM PIPE DETAIL SECTION B-B N.T.S.



ENLARGED MECHANICAL ROOM LAYOUT SCALE 1:50



ENLARGED STAFF ROOM LAYOUT SCALE 1:50

REFER TO DWG. M-3 FOR GENERAL AND ACOUSTIC NOTES

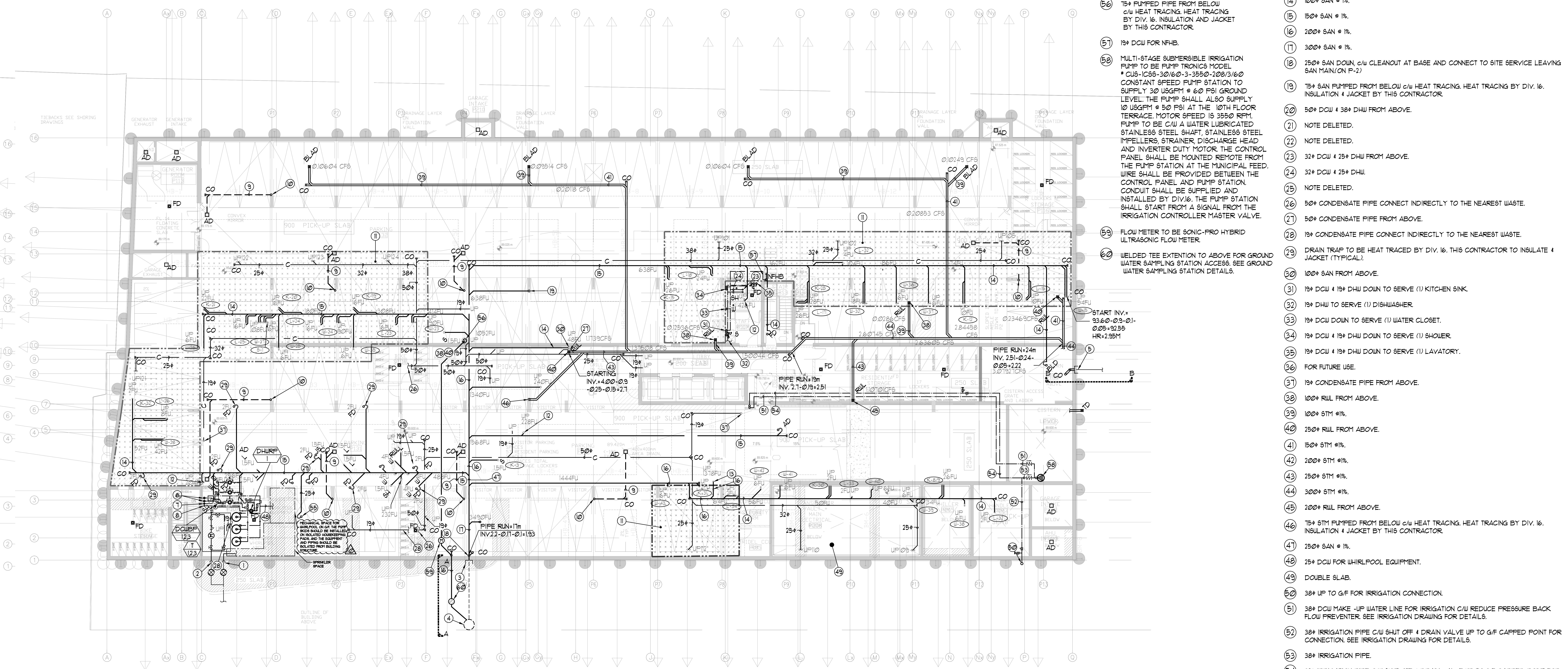
3800mm CLEAR FLOOR TO UNDERSLAB

KEYNOTES:

- 150# FIRE LINE CONNECTION FROM SITE SERVICE. SEE SPRINKLER DRAWING FOR CONTINUATION.
- 100# DCW MAIN CONNECTION FROM SITE SERVICE.
- 300# SAN LEAVING PIPE @ 2% AT INV. 89.00.
- 1200# MANHOLE BY OTHERS.
- 375# STORM LEAVING PIPE @ 2% AT INV. 91.13
- 100# DCW (LZ) & 100# DCW (HZ) UP TO G/F.
- 15# DHW (LZ) UP TO G/F.
- 50# DHW (LZ) FROM ABOVE.
- 100# SAN @ 1% ON CEILING OF P-2.
- 150# SAN FROM ABOVE.
- 200# SAN FROM ABOVE.
- 100# SAN @ 1%.
- 150# SAN @ 1%.
- 200# SAN @ 1%.
- 300# SAN @ 1%.
- 250# SAN DOWN, C/W CLEANOUT AT BASE AND CONNECT TO SITE SERVICE LEAVING SAN MAIN/ON P-2.
- 15# SAN PUMPED FROM BELOW C/W HEAT TRACING, HEAT TRACING BY DIV. 16, INSULATION & JACKET BY THIS CONTRACTOR.
- 50# DCW & 38# DHW FROM ABOVE.
- NOTE DELETED.
- NOTE DELETED.
- 32# DCW & 25# DHW FROM ABOVE.
- 32# DCW & 25# DHW.
- NOTE DELETED.
- 50# CONDENSATE PIPE CONNECT INDIRECTLY TO THE NEAREST WASTE.
- 50# CONDENSATE PIPE FROM ABOVE.
- 19# CONDENSATE PIPE CONNECT INDIRECTLY TO THE NEAREST WASTE.
- DRAIN TRAP TO BE HEAT TRACED BY DIV. 16. THIS CONTRACTOR TO INSULATE & JACKET (TYPICAL).
- 100# SAN FROM ABOVE.
- 19# DCW & 19# DHW DOWN TO SERVE (1) KITCHEN SINK.
- 19# DHW TO SERVE (1) DISHWASHER.
- 19# DCW DOWN TO SERVE (1) WATER CLOSET.
- 19# DCW & 19# DHW DOWN TO SERVE (1) SHOWER.
- 19# DCW & 19# DHW DOWN TO SERVE (1) LAVATORY.
- FOR FUTURE USE.
- 19# CONDENSATE PIPE FROM ABOVE.
- 100# RUL FROM ABOVE.
- 100# 5TM @1%.
- 250# RUL FROM ABOVE.
- 150# 5TM @1%.
- 200# 5TM @1%.
- 250# 5TM @1%.
- 300# 5TM @1%.
- 200# RUL FROM ABOVE.
- 15# 5TM PUMPED FROM BELOW C/W HEAT TRACING, HEAT TRACING BY DIV. 16, INSULATION & JACKET BY THIS CONTRACTOR.
- 250# SAN @ 1%.
- 25# DCW FOR WHIRLPOOL EQUIPMENT.
- DOUBLE SLAB.
- 38# UP TO G/F FOR IRRIGATION CONNECTION.
- 38# DCW MAKE -UP WATER LINE FOR IRRIGATION C/W REDUCE PRESSURE BACK FLOW PREVENTER. SEE IRRIGATION DRAWING FOR DETAILS.
- 38# IRRIGATION PIPE C/W SHUT OFF & DRAIN VALVE UP TO G/F CAPPED POINT FOR CONNECTION. SEE IRRIGATION DRAWING FOR DETAILS.
- 38# IRRIGATION PIPE.
- 32# IRRIGATION PIPE C/W SHUT OFF & DRAIN VALVE UP TO 3/F CAPPED POINT FOR CONNECTION. SEE IRRIGATION DRAWING FOR DETAILS.
- WHIRLPOOL DRAIN EXACT LOCATION TO BE CONFIRMED BY WHIRLPOOL CONSULTANT.

LEGEND MECHANICAL

SYMBOL	DESCRIPTION
[Symbol]	APPLY AIR DIFFUSER
[Symbol]	APPLY AIR TRAP
[Symbol]	LINEAR SUPPLY DIFFUSER
[Symbol]	TEMPERATURE SENSITIVE
[Symbol]	RETURN AIR GRILLE
[Symbol]	EXHAUST AIR GRILLE
[Symbol]	APPLY DUCT UP
[Symbol]	APPLY DUCT DOWN
[Symbol]	RETURN DUCT UP
[Symbol]	RETURN DUCT DOWN
[Symbol]	EXHAUST DUCT UP
[Symbol]	EXHAUST DUCT DOWN
[Symbol]	FIRE DAMPER
[Symbol]	BALANCING DAMPER
[Symbol]	375# STORM LEAVING PIPE
[Symbol]	MOTORIZED DAMPER
[Symbol]	MOTORIZED FIRE DAMPER
[Symbol]	BACKDRIFT DAMPER
[Symbol]	OPPOSED BLADE VOLUME CONTROL DAMPER
[Symbol]	CO2 LOCKING DAMPER
[Symbol]	TUNING VANES
[Symbol]	FLEXIBLE CONNECTION
[Symbol]	ACOUSTIC INSULATION
[Symbol]	TYPE OF EQUIPMENT
[Symbol]	EQUIPMENT IDENTIFICATION
[Symbol]	TYPE OF CHIMNEY OR GRILLE
[Symbol]	SMALL OR OFFSHORE HEAT EXCHANGER
[Symbol]	ANALOG (OH OR LA)
[Symbol]	STARTER / 3 PHASE / PHASE
[Symbol]	IN-RATE FAN WATER MOTOR
[Symbol]	FAN SWITCH / IN-RATE ERY OVERRIDE BUTTON
[Symbol]	CO SENSOR
[Symbol]	GAS LINE
[Symbol]	GAS METER
[Symbol]	SWITCH
[Symbol]	PRESSURE REDUCING VALVE
[Symbol]	SANITARY ABOVE GRADE
[Symbol]	SANITARY BELOW GRADE
[Symbol]	STORM ABOVE GRADE
[Symbol]	STORM BELOW GRADE
[Symbol]	DOPPELSTIC HOT WATER
[Symbol]	DOPPELSTIC HOT WATER
[Symbol]	DOPPELSTIC HOT WATER RECIRCULATION
[Symbol]	SANITARY VENT
[Symbol]	WATER METER
[Symbol]	FLOOR DRAIN
[Symbol]	ROOF DRAIN
[Symbol]	AREA DRAIN
[Symbol]	BLD-LEVEL AREA DRAIN
[Symbol]	CATCH BASIN
[Symbol]	SANITARY TRAP
[Symbol]	ELBOW UP
[Symbol]	ELBOW DOWN
[Symbol]	WALL CLEANOUT
[Symbol]	FLOOR CLEANOUT
[Symbol]	HOSE BIBBS
[Symbol]	NON-PRESSURE HOSE BIBBS
[Symbol]	GATE VALVE
[Symbol]	BALL VALVE
[Symbol]	BUTTERFLY VALVE
[Symbol]	PRESSURE REDUCING VALVE
[Symbol]	CHUCK VALVE
[Symbol]	CAP
[Symbol]	COPRESSURE AIR OUTLET
[Symbol]	BACKUP PREVENTER
[Symbol]	CIRCUIT BALANCING VALVE
[Symbol]	MULTIPLE PIPES
[Symbol]	DENOTES NO. OF PIPES
[Symbol]	TEMPERATURE SENSOR
[Symbol]	TEMPERATURE
[Symbol]	3-WAY MODULATING VALVE
[Symbol]	3-WAY MODULATING VALVE
[Symbol]	FLOOR ELEVATION ABOVE LEVEL
[Symbol]	C/W 12' BURNING & 12' PLUGS
[Symbol]	FLOOR ELEVATION ABOVE LEVEL
[Symbol]	HEADROOM FLOOR TO CEILING



REVISED	NO.	DATE	DESCRIPTION	BY
REVISED	1		BASED FOR SITE INSTRUCTION #16	EP
REVISED	2		BASED FOR SITE INSTRUCTION #16	EP
REVISED	3		BASED FOR SITE INSTRUCTION #16	EP
REVISED	4		BASED FOR SITE INSTRUCTION #16	EP
REVISED	5		BASED FOR SITE INSTRUCTION #16	EP
REVISED	6		BASED FOR SITE INSTRUCTION #16	EP
REVISED	7		BASED FOR SITE INSTRUCTION #16	EP
REVISED	8		BASED FOR SITE INSTRUCTION #16	EP
REVISED	9		BASED FOR SITE INSTRUCTION #16	EP
REVISED	10		BASED FOR SITE INSTRUCTION #16	EP
REVISED	11		BASED FOR SITE INSTRUCTION #16	EP
REVISED	12		BASED FOR SITE INSTRUCTION #16	EP
REVISED	13		BASED FOR SITE INSTRUCTION #16	EP
REVISED	14		BASED FOR SITE INSTRUCTION #16	EP
REVISED	15		BASED FOR SITE INSTRUCTION #16	EP
REVISED	16		BASED FOR SITE INSTRUCTION #16	EP
REVISED	17		BASED FOR SITE INSTRUCTION #16	EP
REVISED	18		BASED FOR SITE INSTRUCTION #16	EP
REVISED	19		BASED FOR SITE INSTRUCTION #16	EP
REVISED	20		BASED FOR SITE INSTRUCTION #16	EP
REVISED	21		BASED FOR SITE INSTRUCTION #16	EP
REVISED	22		BASED FOR SITE INSTRUCTION #16	EP
REVISED	23		BASED FOR SITE INSTRUCTION #16	EP
REVISED	24		BASED FOR SITE INSTRUCTION #16	EP
REVISED	25		BASED FOR SITE INSTRUCTION #16	EP
REVISED	26		BASED FOR SITE INSTRUCTION #16	EP
REVISED	27		BASED FOR SITE INSTRUCTION #16	EP
REVISED	28		BASED FOR SITE INSTRUCTION #16	EP
REVISED	29		BASED FOR SITE INSTRUCTION #16	EP
REVISED	30		BASED FOR SITE INSTRUCTION #16	EP
REVISED	31		BASED FOR SITE INSTRUCTION #16	EP
REVISED	32		BASED FOR SITE INSTRUCTION #16	EP
REVISED	33		BASED FOR SITE INSTRUCTION #16	EP
REVISED	34		BASED FOR SITE INSTRUCTION #16	EP
REVISED	35		BASED FOR SITE INSTRUCTION #16	EP
REVISED	36		BASED FOR SITE INSTRUCTION #16	EP
REVISED	37		BASED FOR SITE INSTRUCTION #16	EP
REVISED	38		BASED FOR SITE INSTRUCTION #16	EP
REVISED	39		BASED FOR SITE INSTRUCTION #16	EP
REVISED	40		BASED FOR SITE INSTRUCTION #16	EP
REVISED	41		BASED FOR SITE INSTRUCTION #16	EP
REVISED	42		BASED FOR SITE INSTRUCTION #16	EP
REVISED	43		BASED FOR SITE INSTRUCTION #16	EP
REVISED	44		BASED FOR SITE INSTRUCTION #16	EP
REVISED	45		BASED FOR SITE INSTRUCTION #16	EP
REVISED	46		BASED FOR SITE INSTRUCTION #16	EP
REVISED	47		BASED FOR SITE INSTRUCTION #16	EP
REVISED	48		BASED FOR SITE INSTRUCTION #16	EP
REVISED	49		BASED FOR SITE INSTRUCTION #16	EP
REVISED	50		BASED FOR SITE INSTRUCTION #16	EP
REVISED	51		BASED FOR SITE INSTRUCTION #16	EP
REVISED	52		BASED FOR SITE INSTRUCTION #16	EP
REVISED	53		BASED FOR SITE INSTRUCTION #16	EP
REVISED	54		BASED FOR SITE INSTRUCTION #16	EP
REVISED	55		BASED FOR SITE INSTRUCTION #16	EP

NOVA ENGINEERING

175 West Beaver Creek Road Unit 31  
Richmond Hill, Ontario L4B 3M1  
Tel: 905-882-5445  
Fax: 905-882-5441

PROJECT TITLE:  
60 ALEXANDRA PARK  
BLOCK II  
38 CAMERON STREET  
TORONTO

PROJECT NO:  
G.S. EP 1:100  
M-5 OF 45

DATE:  
FEB 13 1313