

Package 16
 Review Pending Aug 9/15.

GENERAL SECTION DETAIL AT BY-PASS

Teepie Architects INC.

Reviewed
 Reviewed as noted

Review and resubmit

Not Reviewed

Date **Sep. 24/15**

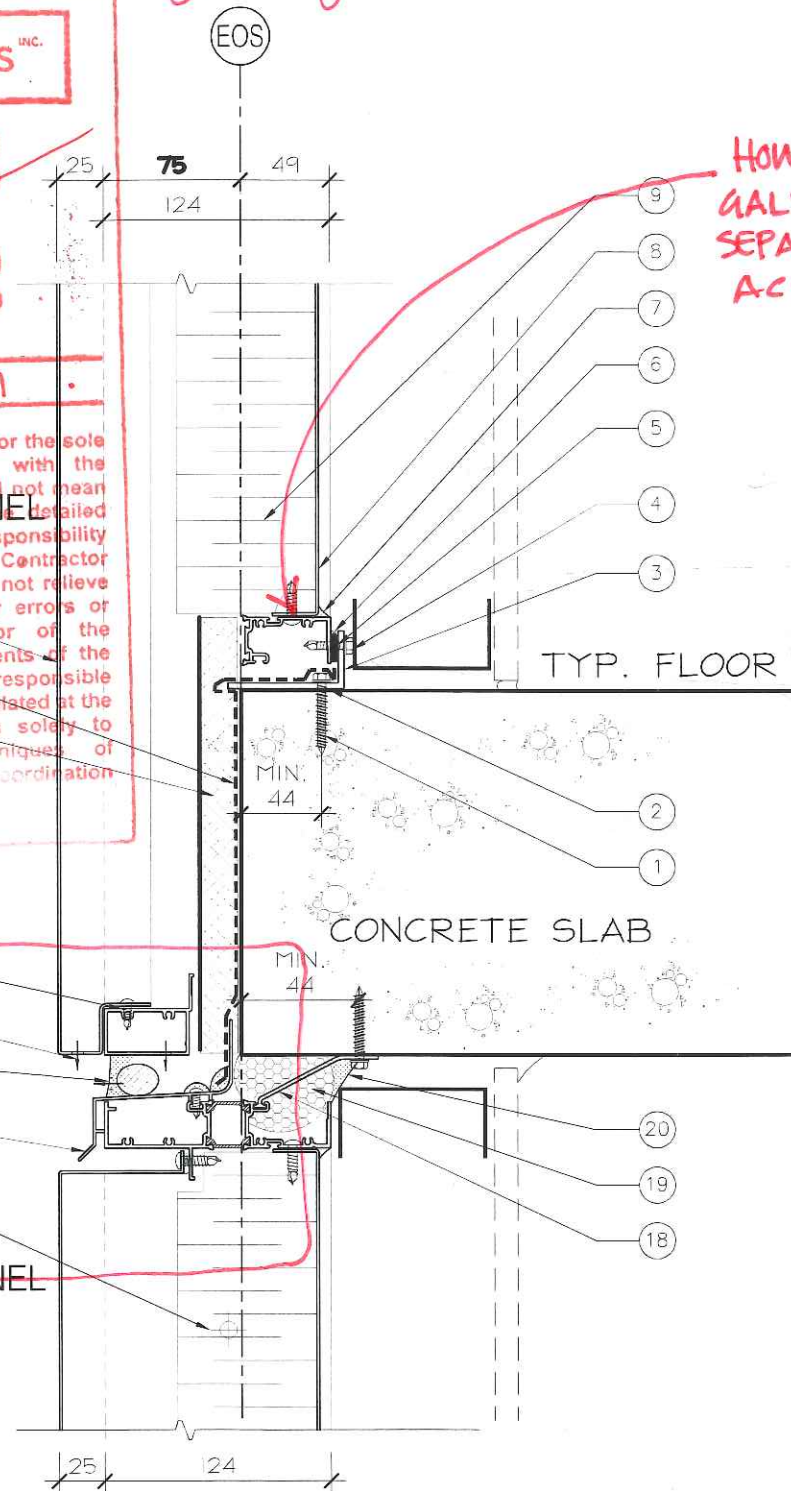
Reviewed by: **MPMM**

BY-PASS

This review by Teepie Architects Inc. is for the sole purpose of ascertaining conformance with the general design intent. This review shall not mean that Teepie Architects Inc. approves the detailed design inherent in the drawings, responsibility for which shall remain with the Contractor submitting same, and such review shall not relieve the Contractor of the responsibility for errors or omissions in the shop drawings or of the responsibility for meeting all requirements of the Contract Documents. The Contractor is responsible for dimensions to be confirmed and correlated at the job site, for information that pertains solely to fabrication processes or to techniques of construction and installation, and for coordination of the work of all trades.

NOT REVIEWED

HOW IS GALVANIC SEPARATION ACHIEVED?



- ① 1/2" x 1 3/4" TAPCON SCREWS, SEE PROJECT INFORMATION ON PAGE G2
- ② SEAL BENEATH ANGLE
- ③ CONT. 2 1/2" x 1 1/2" x 1/8" ALUM. ANGLE FASTENED TO FRAME, SEE SILL ANGLE ANCHORING INFORMATION ON PAGE G6
- ④ #12-14X1" HEX HEAD SELF-DRILLING SCREWS(DT2000), SEE FASTENER INFORMATION ON PAGE G2
- ⑤ INSTALLATION BEAD BY TORO (TYP.)
- ⑥ POST INSTALLATION TOE BEAD BY TORO (TYP.)
- ⑦ SEALANT AT THE PERIMETER OF BACKPAN WITH TREMSIL 600
- ⑧ 22 GAUGE GALVANIZED STEEL BACK PAN MECHANICALLY FASTENED TO FRAME, SEE FASTENER INFORMATION ON PAGE G2
- ⑨ 3" MINERAL WOOL INSULATION (R=4.2/INCH)
- ⑩ PREFINISHED PROJECTED METAL PANEL**
- ⑪ TORO'S SELF ADHERED MEMBRANE UP ANGLE AND LAPPED OVER CONCRETE SLAB
- ⑫ 1" FOIL FACED MINERAL WOOL INSULATION (R=4.2) BY TORO
- ⑬ BYPASS BOTTOM MULLION.
- ⑭ 6mmØ DRAIN HOLES THROUGH FRAME FOR DRAINAGE TYP. SEE DETAILS FOR LOCATION, SEE DRAINAGE INFORMATION ON PAGE G1.
- ⑮ **CAULKING AND BACKER ROD WITH WEEP HOLES FOR DRAINAGE BY OTHERS. SEE DRAINAGE INFORMATION ON PAGE G1.**
- ⑯ EXTRUDED ALUMINUM BYPASS SILL IN FINISH COLOR.
- ⑰ PRESSURE EQUALIZER HOLE. 3/8" DIAMETER, 4" UNDER HORIZONTAL MULLION.
- ⑱ ALUM. STRAP ANCHORS FASTENED TO CONCRETE WITH 1/4" x 1 3/4" TAPCON SCREW (SEE PAGE G4 FOR DETAILS)
- ⑲ SPRAY FOAM INSULATION BY OTHERS
- ⑳ INTERIOR CAULKING BY OTHERS

NOTE: ITEMS IN BOLD TO BE BY OTHERS

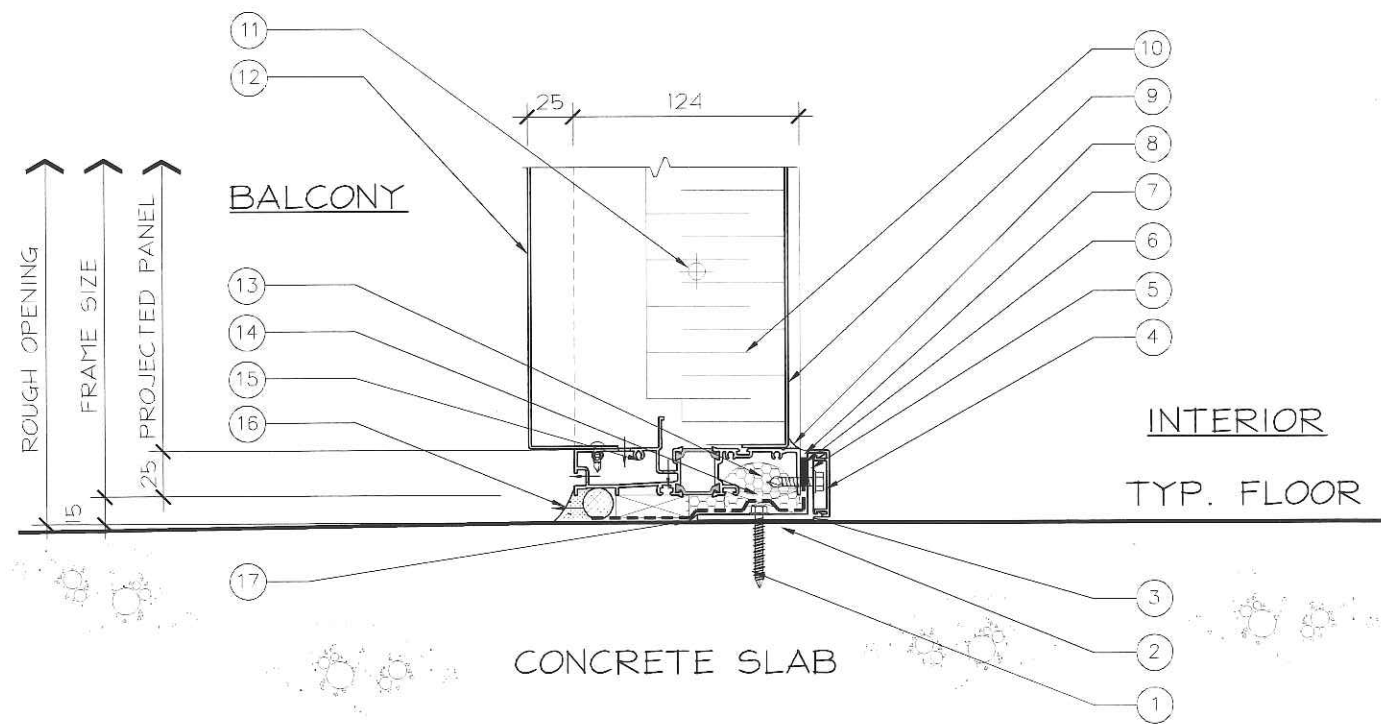


No.	REVISION	BY	DATE

PROJECT NAME:	SQ ALEXANDRA PARK - BLOCK11
DRAWING TITLE:	SECTION DETAILS
ARCHITECT:	TEEPLE ARCHITECTS
CONTRACTOR:	TRIDEL
SCALE:	1:4
DRAWN BY:	S.C.
DATE:	MARCH 4, 2015

DRAWING No.:
S1

GENERAL SECTION DETAIL AT SILL



- ① 1/4" x 1 3/4" TAPCON SCREWS, FASTENER, SEE FASTENER INFORMATION ON PAGE G2
- ② SEAL BENEATH ANGLE
- ③ TORO'S SELF ADHERED MEMBRANE AND PRIMER UP ANGLE AND LAPPED OVER SLAB WATERPROOFING
- ④ #12-14X1" HEX HEAD SELF-DRILLING SCREWS(DT2000), SEE FASTENER INFORMATION ON PAGE G2
- ⑤ CONT. 2 1/2"x1 1/2"x1/8" ALUM. ANGLE FASTENED TO FRAME PER G6
- ⑥ INSTALLATION BEAD BY TORO (TYP.)
- ⑦ POST INSTALLATION TCE BEAD BY TORO (TYP.)
- ⑧ SEALANT AT THE PERIMETER OF BACKPAN WITH TREMSIL 600
- ⑨ 22 GAUGE GALVANIZED STEEL BACK PAN MECHANICALLY FASTENED TO FRAME AS PER GENERAL NOTES, SEE FASTENER INFORMATION ON PAGE G2
- ⑩ 3" MINERAL WOOL INSULATION (R=4.2/INCH)
- ⑪ PRESSURE EQUALIZER HOLE. 3/8" DIAMETER, 4" UNDER HORIZONTAL MULLION.
- ⑫ PREFINISHED PROJECTED METAL PANEL
- ⑬ SPRAY FOAM INSULATION IN CAVITY IF SITE CONDITION PERMITS BY OTHERS
- ⑭ SHIM AS REQUIRED AT VERTICAL LOCATION (DEAD LOAD BLOCK)
- ⑮ 6mmφ DRAIN HOLES THROUGH FRAME FOR DRAINAGE TYP. SEE DRAINAGE INFORMATION ON PAGE G1.
- ⑯ CAULKING AND BACKER ROD WITH WEEP HOLES FOR DRAINAGE BY OTHERS. SEE DRAINAGE INFORMATION ON PAGE G1.
- ⑰ SEAL LEADING EDGE OF ANGLE

① PROJECTED PANEL SILL @ CONCRETE SLAB

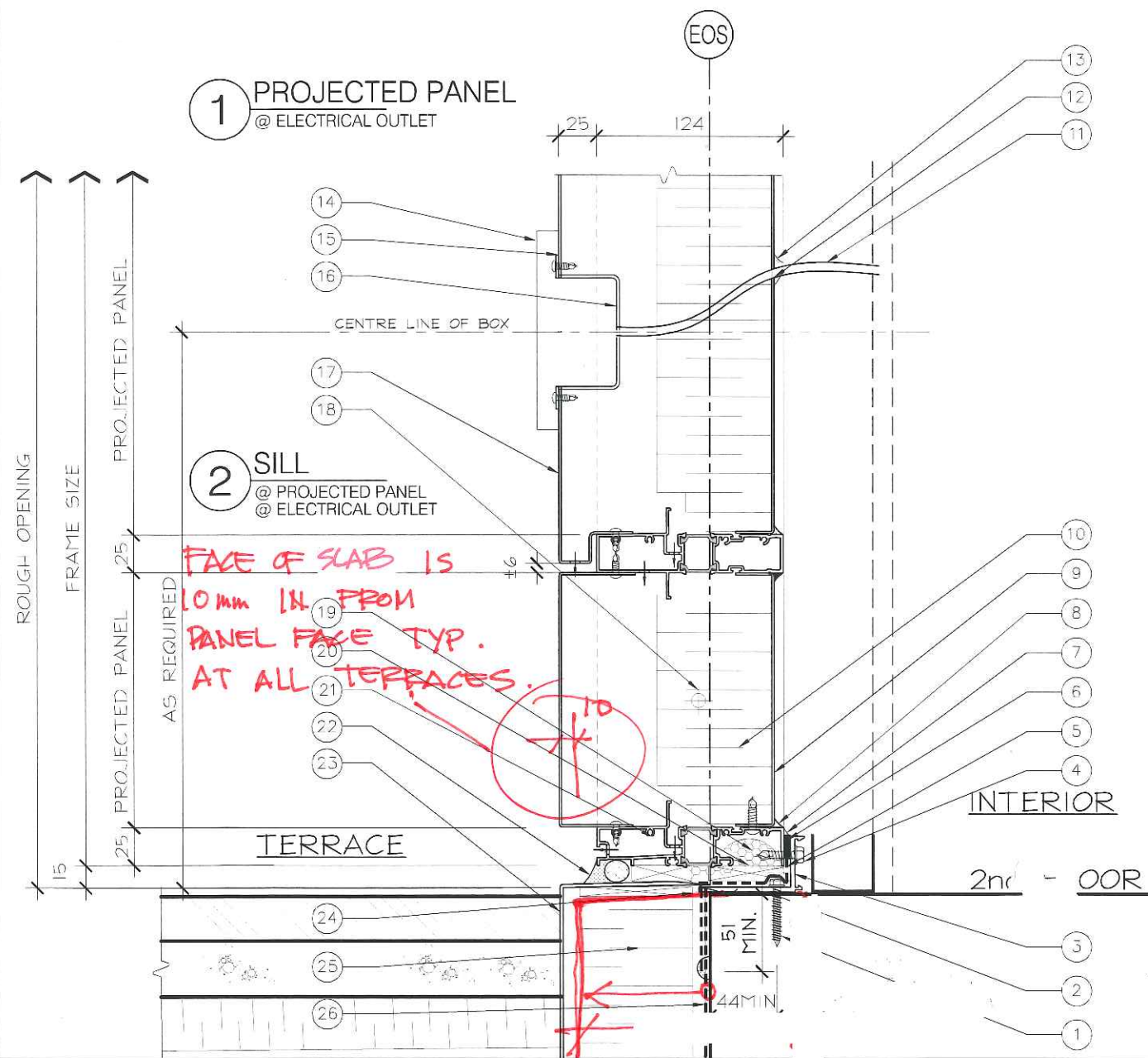
NOTE: ITEMS IN BOLD TO BE BY OTHERS



No.	REVISION	BY	DATE

PROJECT NAME:	SQ ALEXANDRA PARK - BLOCK11		
DRAWING TITLE:	SECTION DETAILS		
ARCHITECT:	TEEPLE ARCHITECTS	DRAWING No.:	S2
CONTRACTOR:	TRIDEL		
SCALE:	1:4	DRAWN BY:	S.C.
		DATE:	MARCH 4, 2015

GENERAL SECTION DETAIL AT TERRACE



- ① 1/4" x 1 3/4" TAPCON SCREWS, , SEE FASTENER INFORMATION ON PAGE G2
- ② SEAL BENEATH ANGLE
- ③ CONT. 2 1/2" x 1 1/2" x 1/8" ALUM. ANGLE FASTENED TO FRAME, SEE SILL ANGLE ANCHORING INFORMATION ON PAGE G6
- ④ #12-14X1" HEX HEAD SELF-DRILLING SCREWS(DT2000), SEE FASTENER INFORMATION ON PAGE G2
- ⑤ TORO'S SELF ADHERED MEMBRANE AND PRIMER UP ANGLE AND LAPPED OVER SLAB WATERPROOFING
- ⑥ INSTALLATION BEAD BY TORO (TYP.)
- ⑦ POST INSTALLATION TOE BEAD BY TORO (TYP.)
- ⑧ SEALANT AT THE PERIMETER OF BACKPAN WITH TREMSIL 600
- ⑨ 22 GAUGE GALVANIZED STEEL BACK PAN MECHANICALLY FASTENED TO FRAME. SEE FASTENER INFORMATION ON PAGE G2
- ⑩ 3" MINERAL WOOL INSULATION (R=4.2/INCH)
- ⑪ WIRE BY OTHERS
- ⑫ CUT OUT IN BACK OF PANEL BY OTHERS
- ⑬ PERIMETER SEAL OF CUT OUT BY OTHERS
- ⑭ WEATHER PROOF COVER PLATE BY OTHERS
- ⑮ PERIMETER SEALANT BY OTHERS
- ⑯ WEATHERPROOF ELECTRICAL BOX SUPPLIED AND INSTALLED BY OTHERS
- ⑰ PREFINISHED PROJECTED METAL PANEL
- ⑱ PRESSURE EQUALIZER HOLE. 3/8" DIAMETER, 4" UNDER HORIZONTAL MULLION.
- ⑲ SPRAY FOAM INSULATION IN CAVITY IF SITE CONDITION PERMITS BY OTHERS
- ⑳ SHIM AS REQUIRED AT VERTICAL LOCATION (DEAD LOAD BLOCK)
- ㉑ 6mmφ DRAIN HOLES THROUGH FRAME FOR DRAINAGE TYP. SEE DRAINAGE INFORMATION ON PAGE G1
- ㉒ CONT. CAULKING AND BACKER ROD BY OTHERS.
- ㉓ PREFINISHED METAL FLASHING BY OTHERS, RAISED UP ON 1/4" SHIMS TO ALLOW FOR DRAINAGE BENEATH
- ㉔ SEAL LEADING EDGE OF ANGLE
- ㉕ RIGID INSULATION BY OTHERS
- ㉖ CURB WATERPROOFING BY OTHERS

*** ELECTRICAL ROUGH-IN AND/OR ANY ELECTRICAL WIRING BY OTHERS TO BE COORDINATED WITH SITE & TORO**

NOTE: ITEMS IN BOLD TO BE BY OTHERS

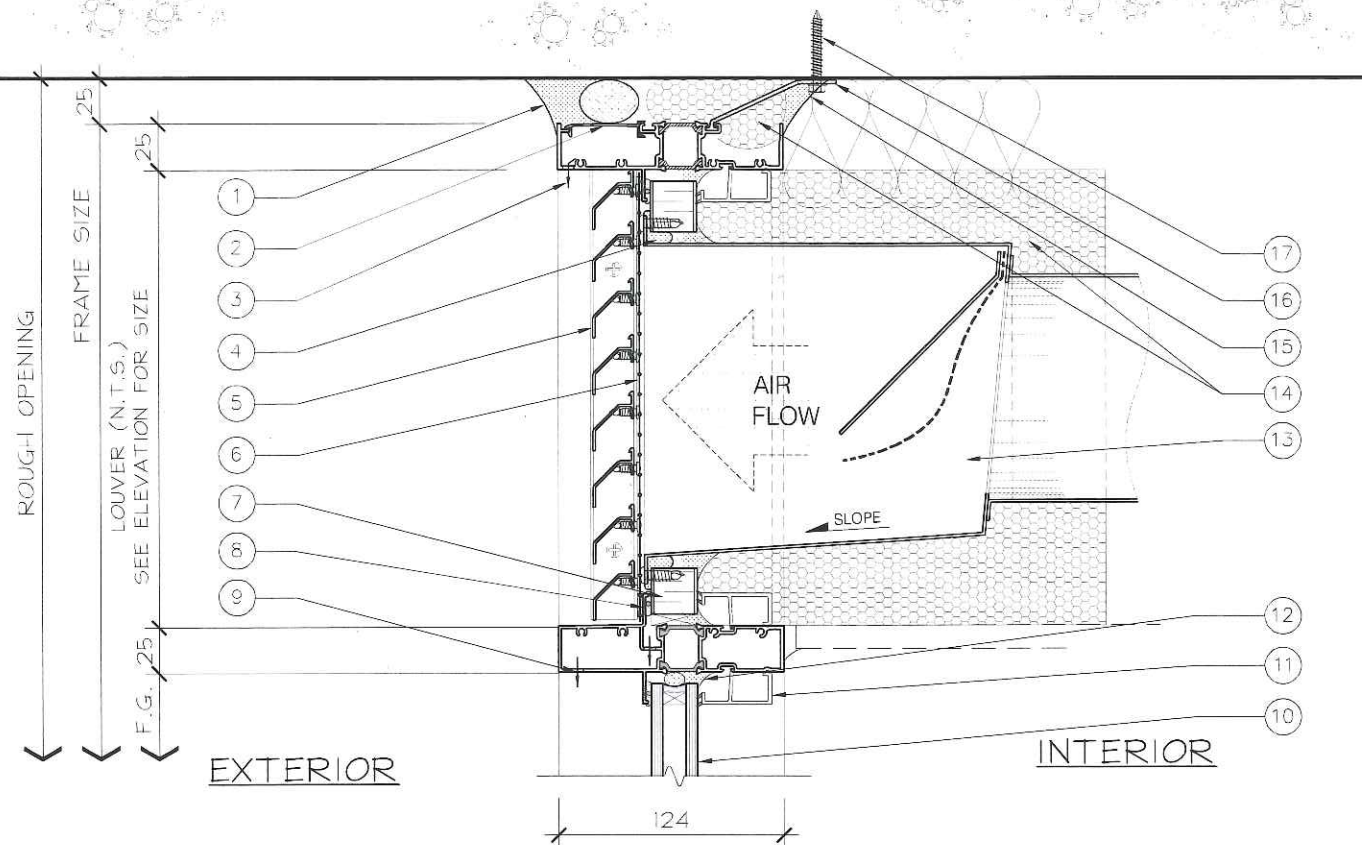


No.	REVISION	BY	DATE

PROJECT NAME:	SQ ALEXANDRA PARK - BLOCK11		
DRAWING TITLE:	SECTION DETAILS		
ARCHITECT:	TEEPLE ARCHITECTS		DRAWING No.:
CONTRACTOR:	TRIDEL		S3
SCALE:	1:4	DRAWN BY:	S.C.
		DATE:	MARCH 4, 2015

GENERAL SECTION DETAIL AT HEAD

1 LOUVER @ HEAD
CONCRETE SLAB



2 FIXED GLASS @ LOUVER

SEE FLOOR PLAN FOR ALL EXHAUST BOX LOCATIONS

- ① CAULKING WITH BACKER ROD BY OTHERS
- ② VINYL JAMB AND HEAD COVER
- ③ 6mmØ DRAIN HOLES THROUGH FRAME FOR DRAINAGE TYP. SEE DETAILS FOR LOCATION
- ④ SEALANT OVER SCREWS AND FLANGE AT PERIMETER OF EXHAUST BOX TO INSULATED METAL PANEL BY TORO.
- ⑤ PREFINISHED ALUM. LOUVER FASTENED AT JAMBS. SEE FASTENER INFORMATION ON PAGE G2
- ⑥ 1/2"x2" STAINLESS STEEL WIRE MESH BIRD SCREEN.
- ⑦ 1" INSULATED METAL SANDWICH PANEL
- ⑧ 1/8" SHIM GLAZING TAPE
- ⑨ 6mmØ DRAIN HOLES THROUGH FRAME FOR DRAINAGE TYP. SEE DETAILS FOR LOCATION
- ⑩ SEALED UNIT REFER TO LEGEND FOR GLASS COMPOSITION
- ⑪ P.V.C GLASS STOP
- ⑫ BACKER ROD & HEEL BEAD
- ⑬ EXHAUST WALL BOX BY OTHERS
- ⑭ SPRAY FOAM INSULATION BY OTHERS
- ⑮ INTERIOR CAULKING BY OTHERS
- ⑯ ALUM. STRAP ANCHORS FASTENED TO CONCRETE WITH 1/4"Øx1 3/4" TAPCON SCREW, SEE ANCHORING INFORMATION ON PAGE G4
- ⑰ 1/4"Øx1 3/4" TAPCON SCREWS, SEE FASTENER INFORMATION ON PAGE G2

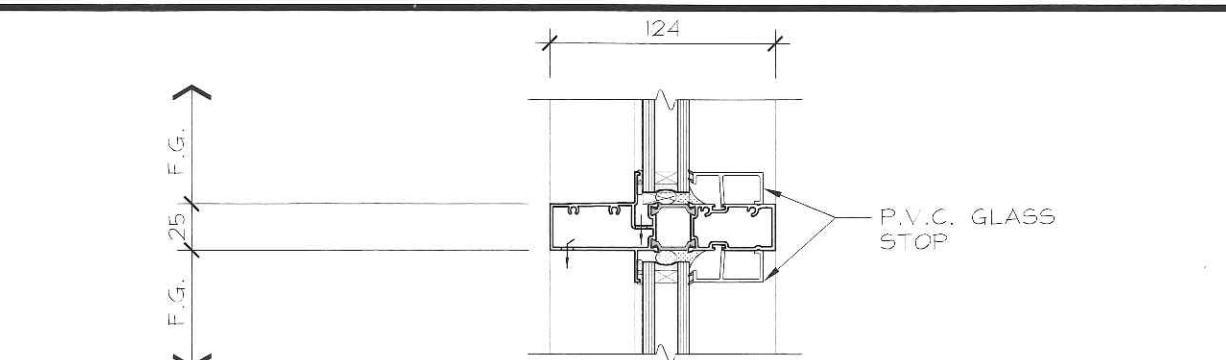
NOTE: ITEMS IN BOLD TO BE BY OTHERS



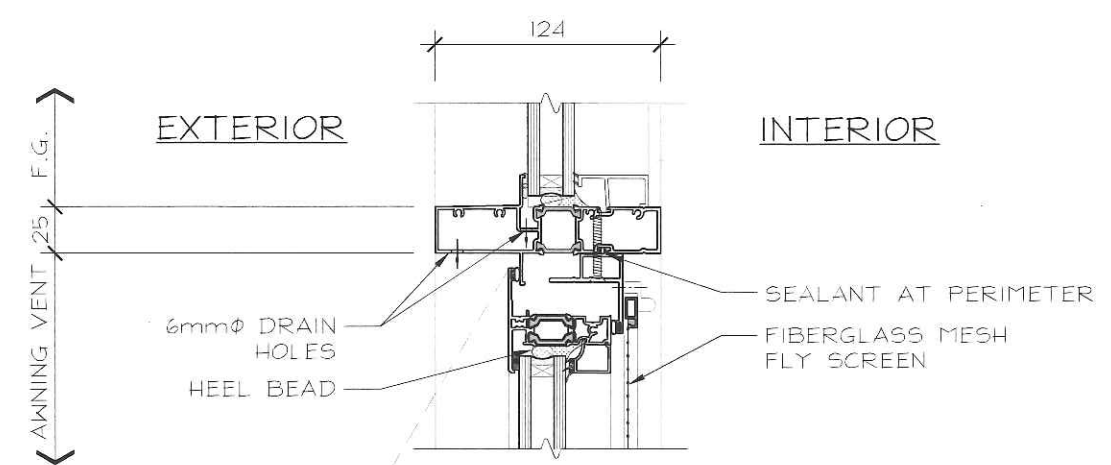
No.	REVISION	BY	DATE

PROJECT NAME:	SQ ALEXANDRA PARK - BLOCK11
DRAWING TITLE:	SECTION DETAILS
ARCHITECT:	TEEPLE ARCHITECTS
CONTRACTOR:	TRIDEL
SCALE:	1:4
DRAWN BY:	S.C.
DATE:	MARCH 4, 2015

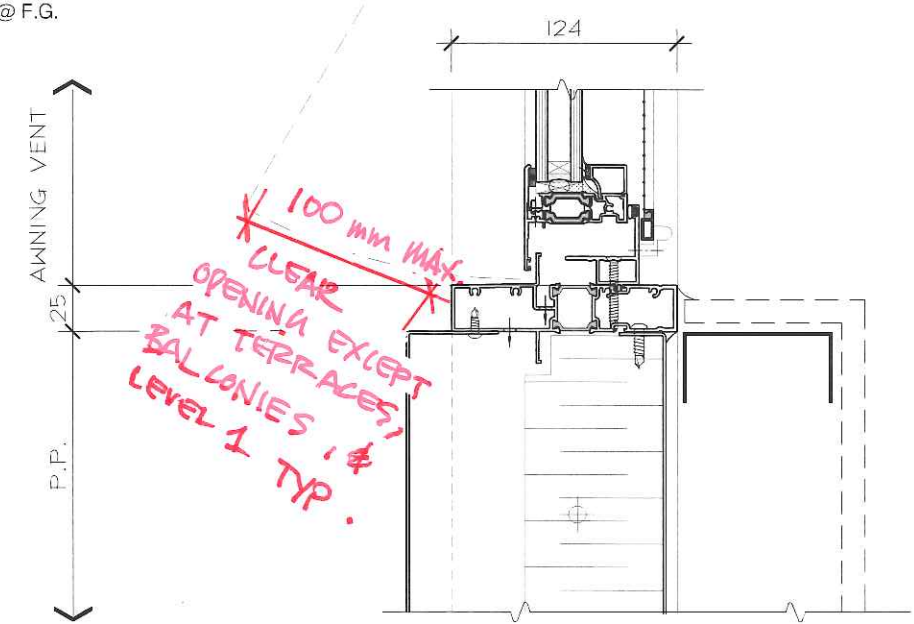
DRAWING No.:
S4



1 FIXED GLASS
@ F.G.

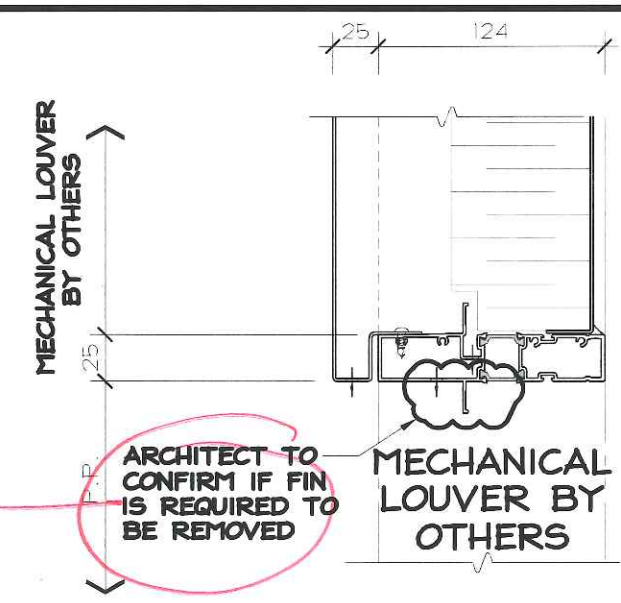


2 AWNING VENT HEAD
@ F.G.

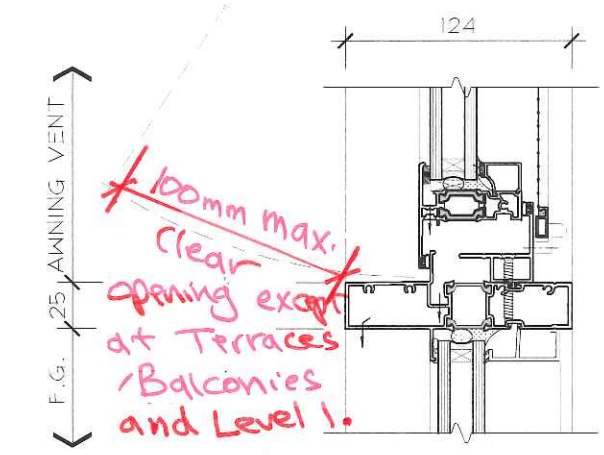


3 AWNING VENT SILL
@ FIXED GLASS

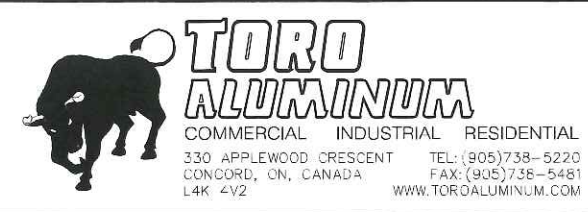
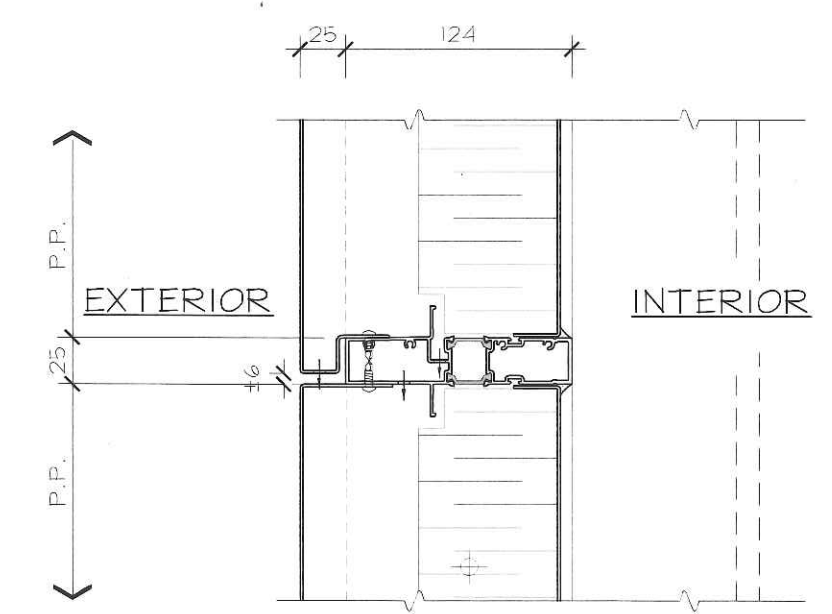
6 PROJECTED PANEL
@ MECH. LOUVER BY OTHERS



5 AWNING VENT SILL
@ FIXED GLASS



4 PROJECTED PANEL
@ PROJECTED PANEL

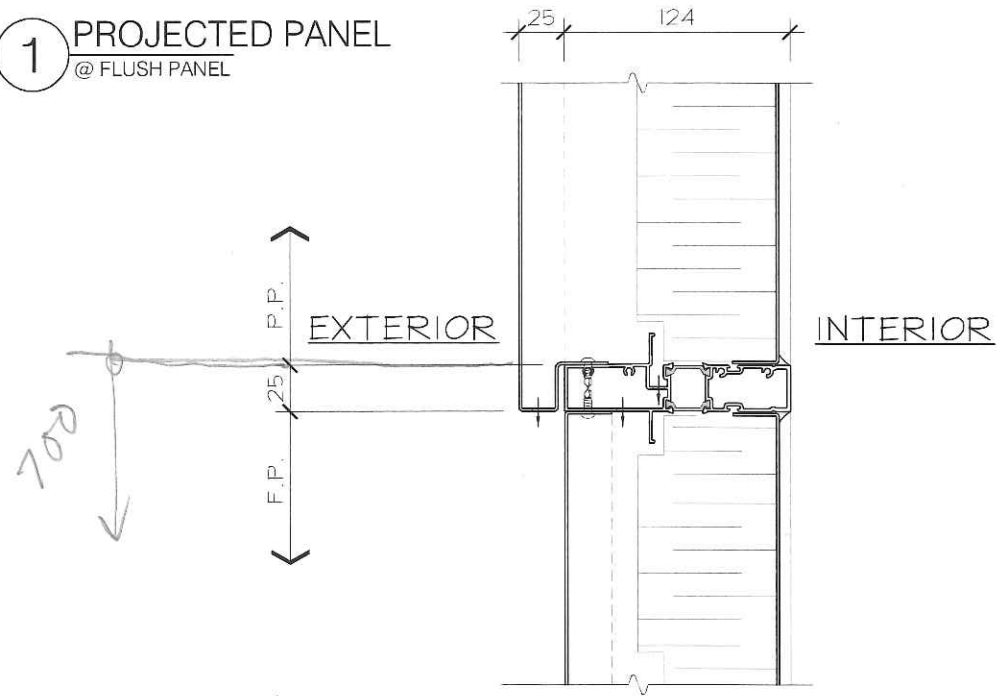


No.	REVISION	BY	DATE

PROJECT NAME:	SQ ALEXANDRA PARK - BLOCK11
DRAWING TITLE:	SECTION DETAILS
ARCHITECT:	TEEPLE ARCHITECTS
CONTRACTOR:	TRIDEL
SCALE:	1:4
DRAWN BY:	S.C.
DATE:	MARCH 4, 2015

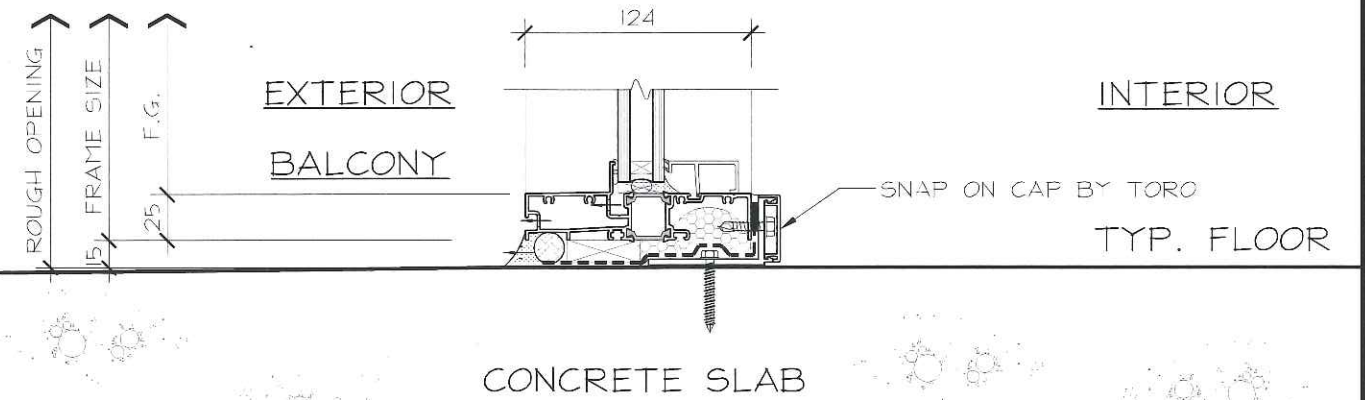
DRAWING No.:
S5

1 PROJECTED PANEL
@ FLUSH PANEL

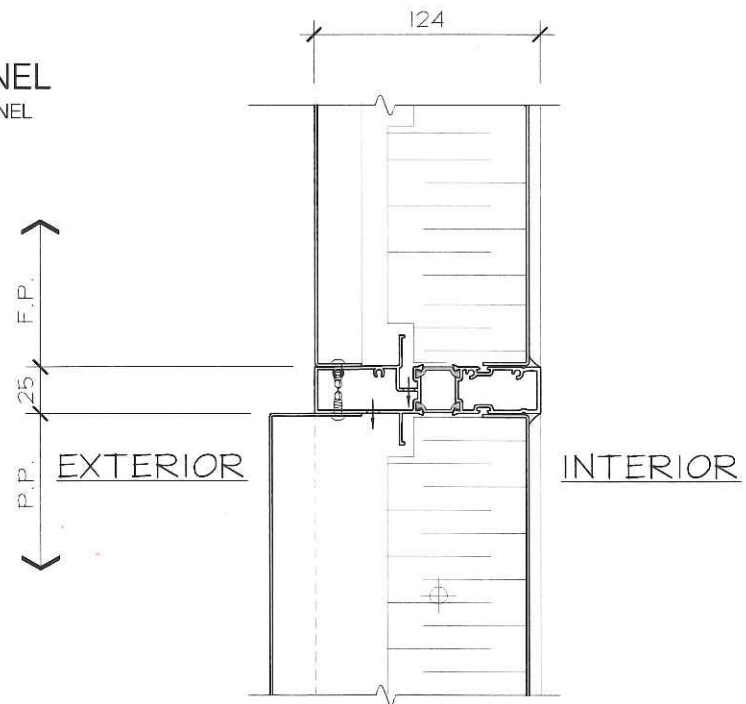


4 F.G SILL
@ BALCONY

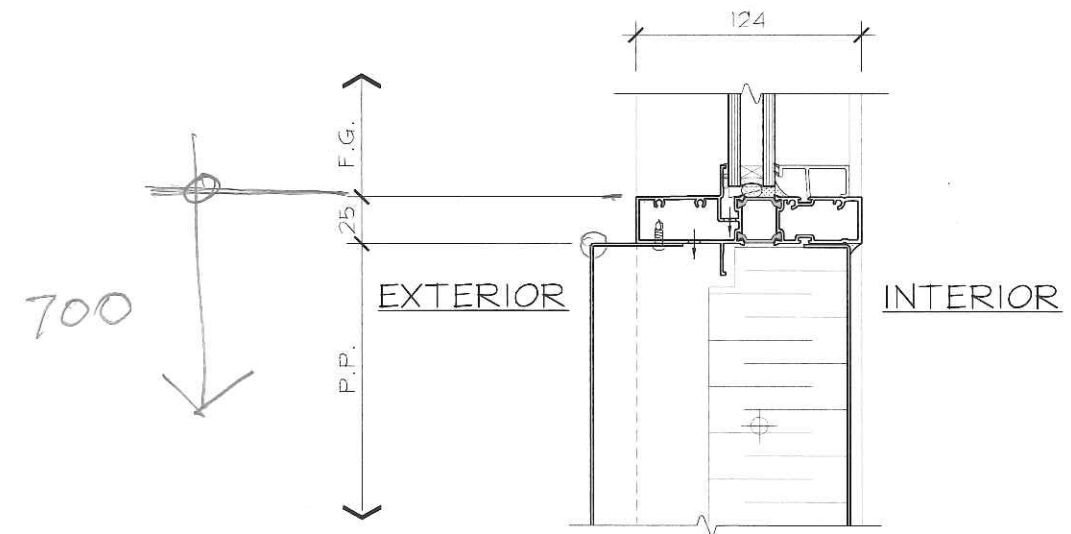
SEE NOTES ON
PAGE S2



2 FLUSH PANEL
@ PROJECTED PANEL



3 FIXED GLASS
@ PROJECTED PANEL

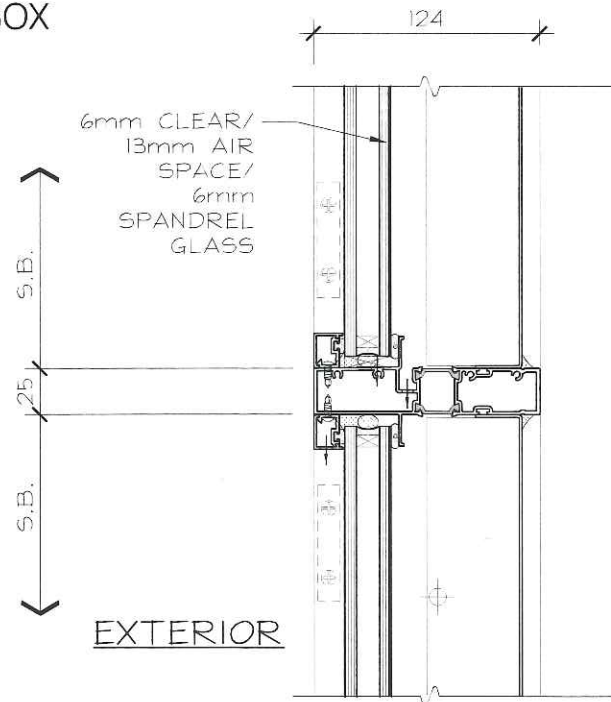


No.	REVISION	BY	DATE

PROJECT NAME:	SQ ALEXANDRA PARK - BLOCK11		
DRAWING TITLE:	SECTION DETAILS		
ARCHITECT:	TEEPLE ARCHITECTS		
CONTRACTOR:	TRIDEL		
SCALE:	1:4	DRAWN BY:	S.C.
DATE:	MARCH 4, 2015		

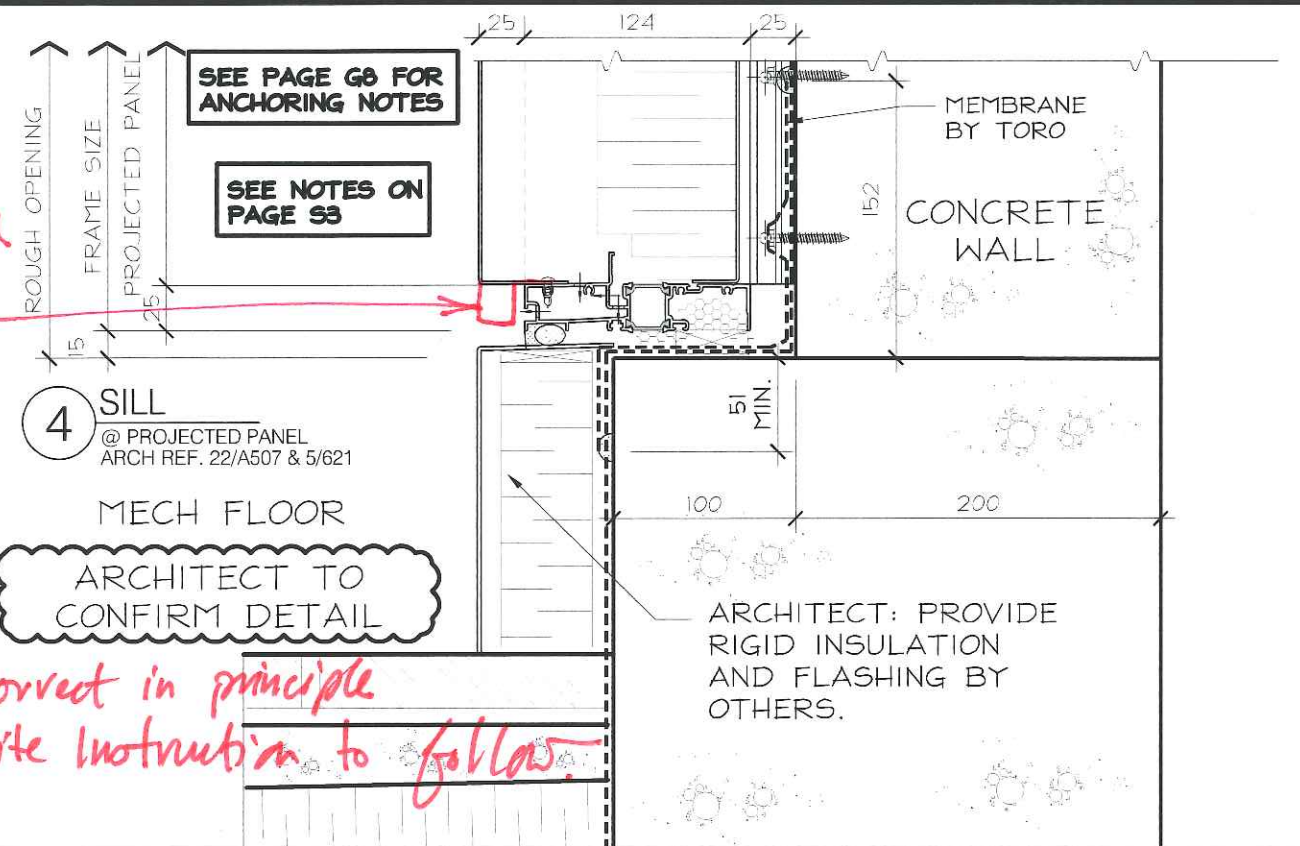
DRAWING No.:
S6

1 SHADOW BOX
@ SHADOW BOX



COOLING TOWER
@ 14TH FLOOR

*Why can't panel
return down as
per typical?*



4 SILL
@ PROJECTED PANEL
ARCH REF. 22/A507 & 5/621

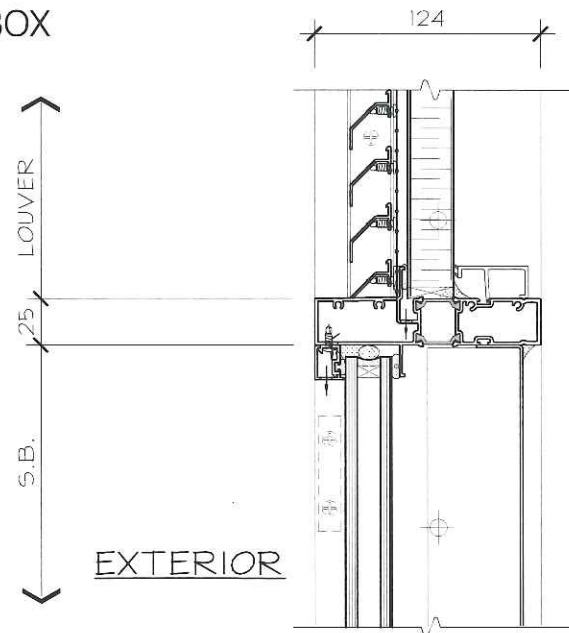
MECH FLOOR

ARCHITECT TO
CONFIRM DETAIL

ARCHITECT: PROVIDE
RIGID INSULATION
AND FLASHING BY
OTHERS.

2 SHADOW BOX
@ LOUVER

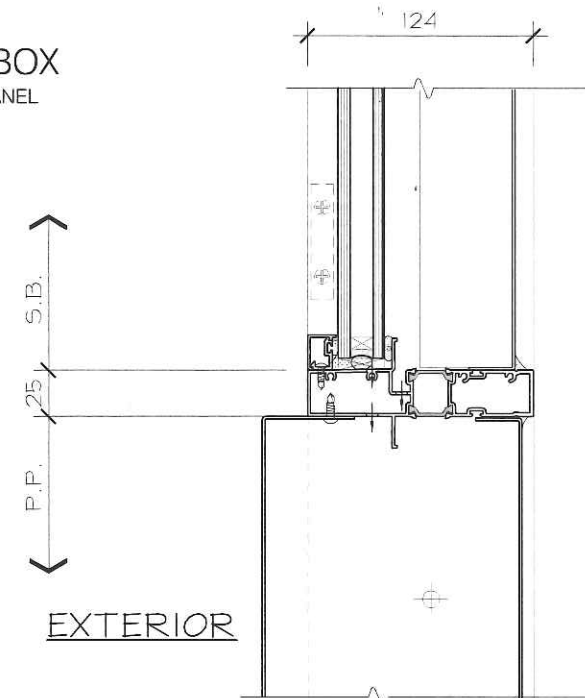
SEE NOTES
DETAIL #1



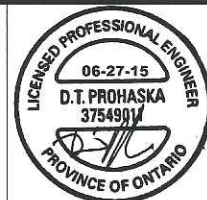
COOLING TOWER
@ 14TH FLOOR

3 SHADOW BOX
@ PROJECTED PANEL

SEE NOTES
DETAIL #1



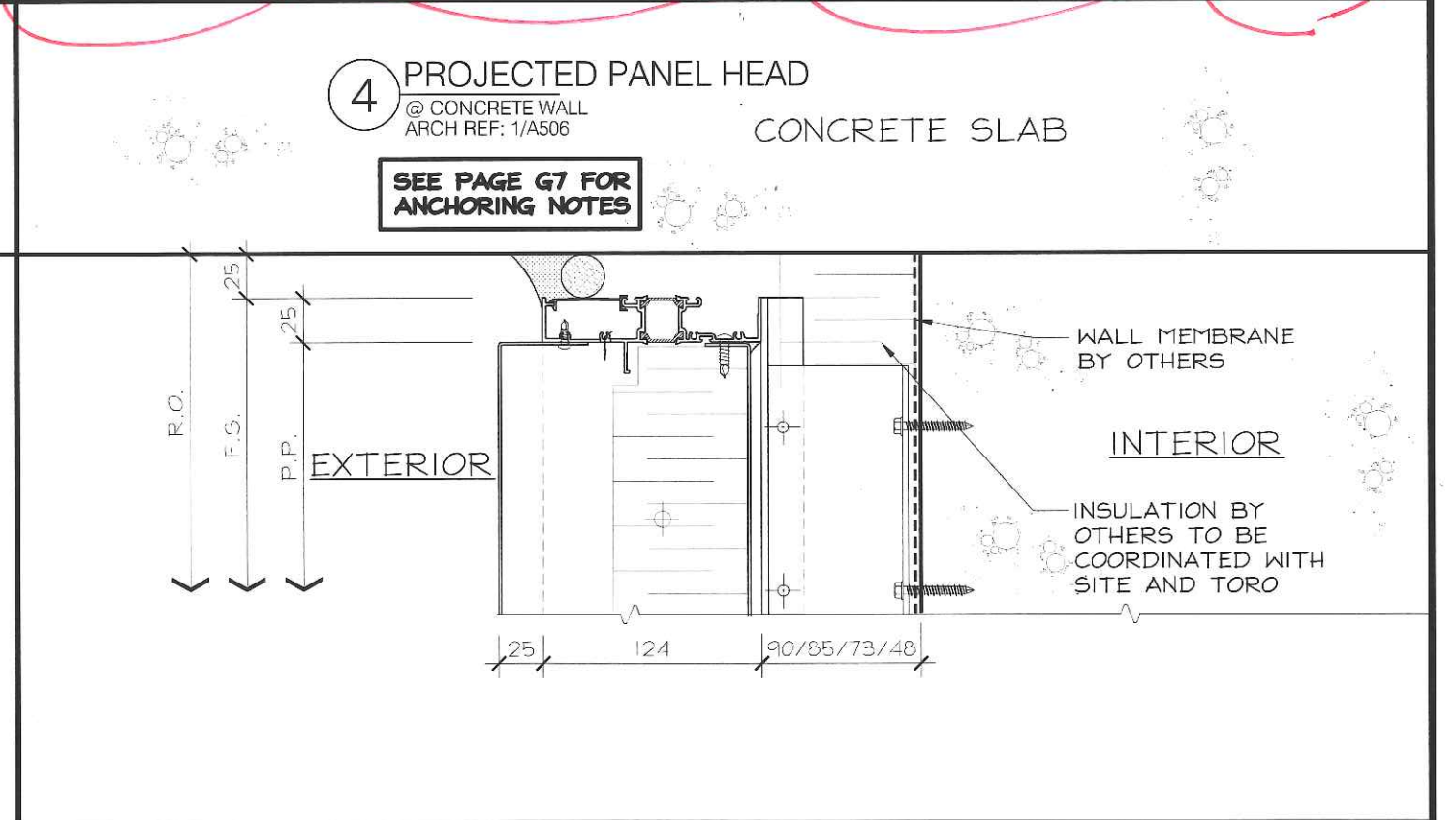
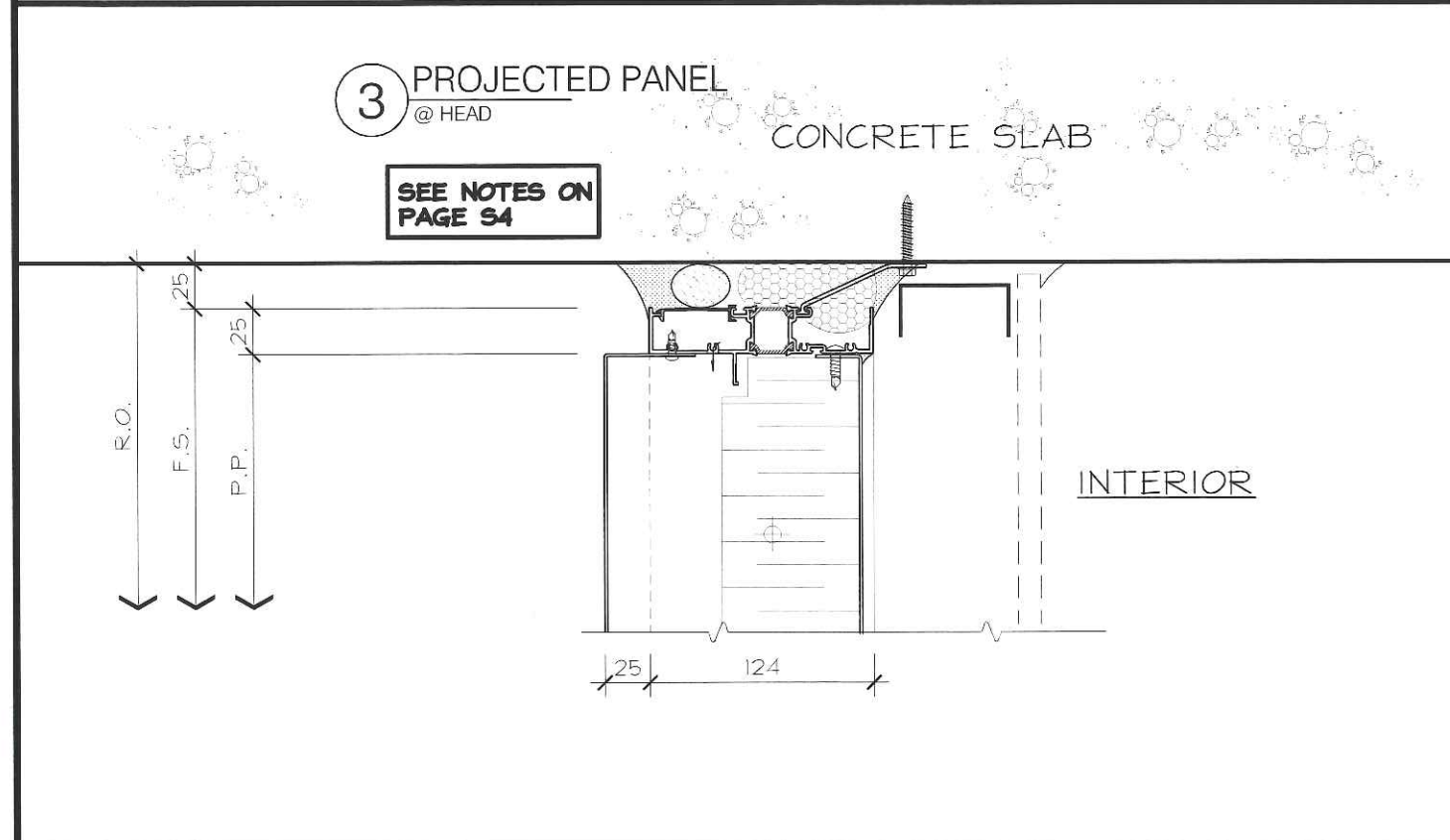
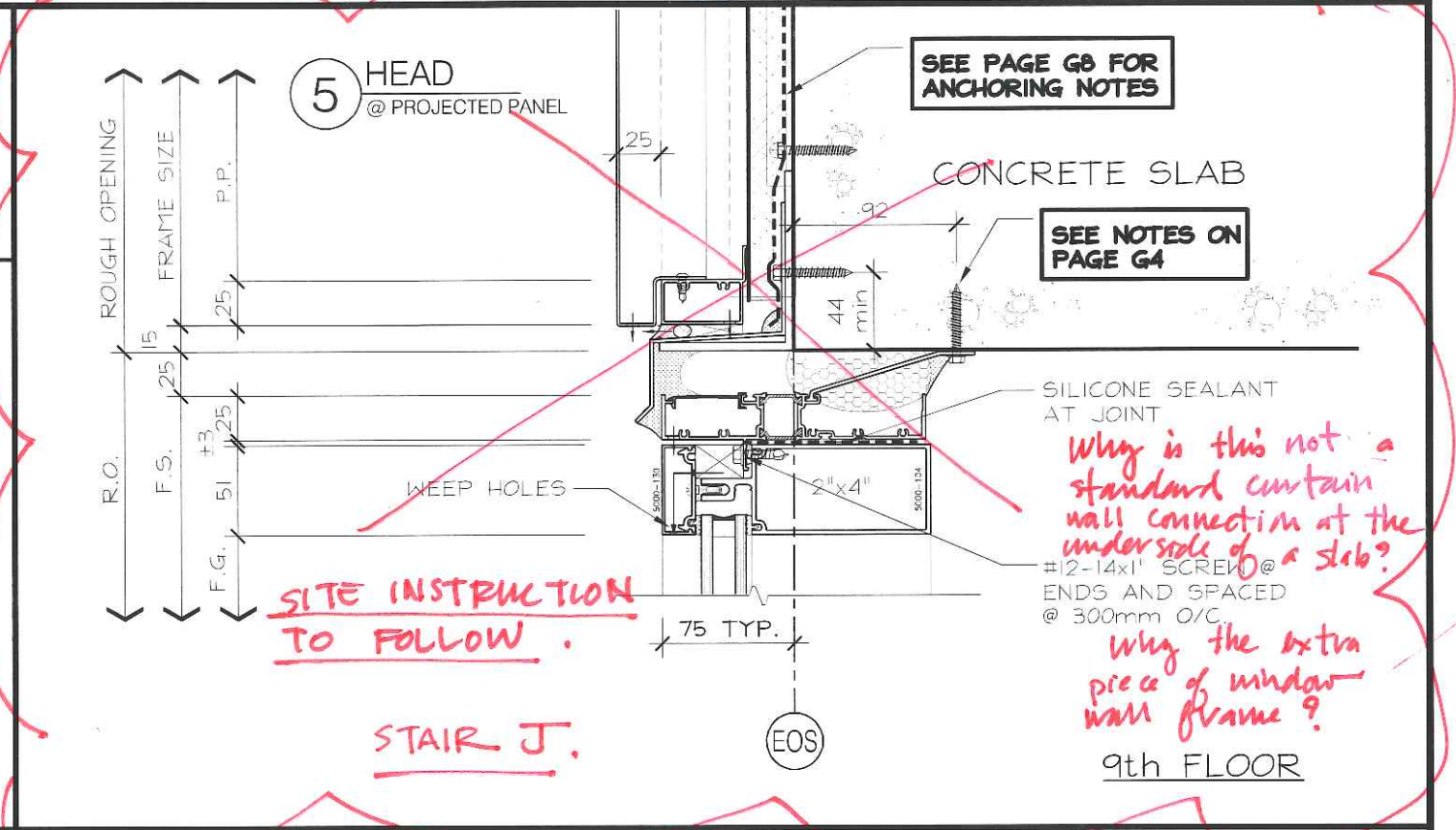
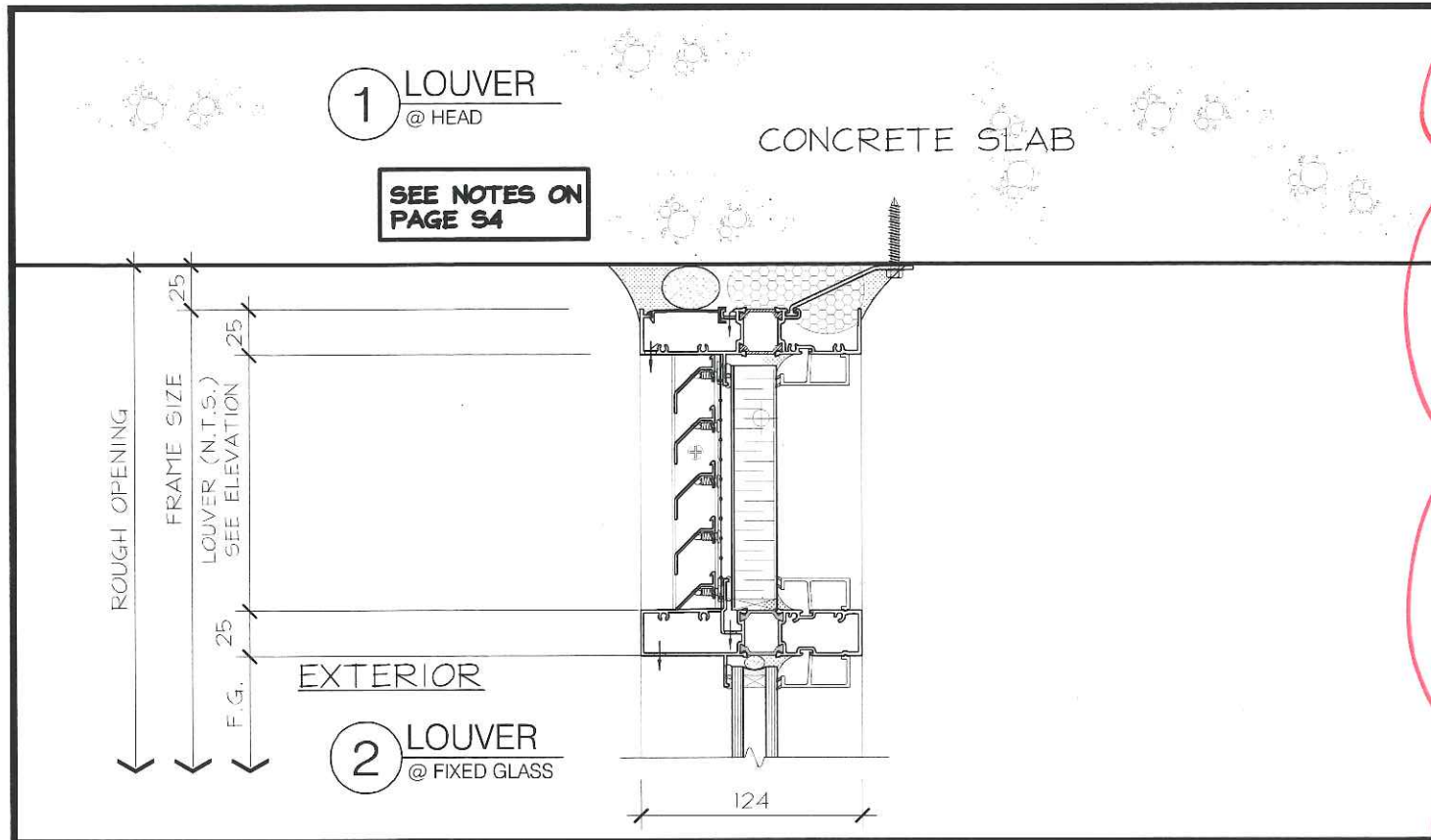
COOLING TOWER
@ 14TH FLOOR



No.	REVISION	BY	DATE

PROJECT NAME:	SQ ALEXANDRA PARK - BLOCK 11		
DRAWING TITLE:	SECTION DETAILS		
ARCHITECT:	TEEPLE ARCHITECTS		
CONTRACTOR:	TRIDEL		
SCALE:	1:4	DRAWN BY:	S.C.
DATE:	MARCH 4, 2015		

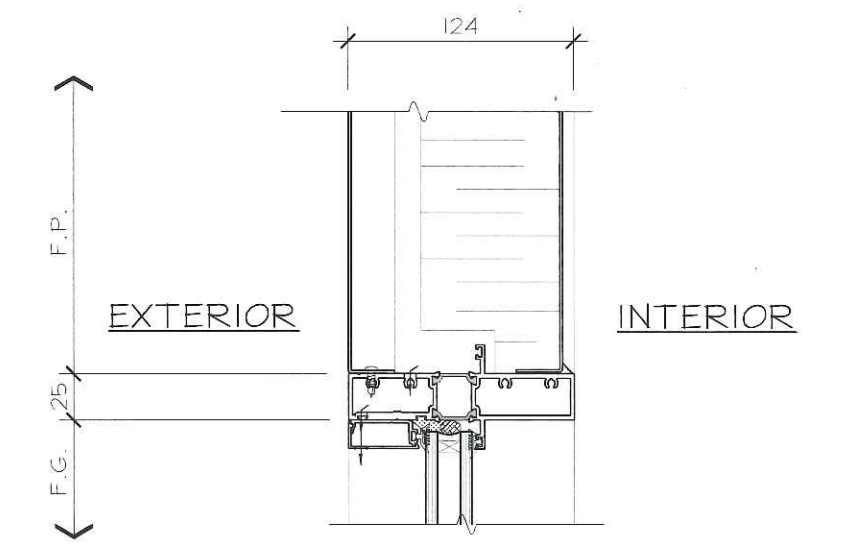
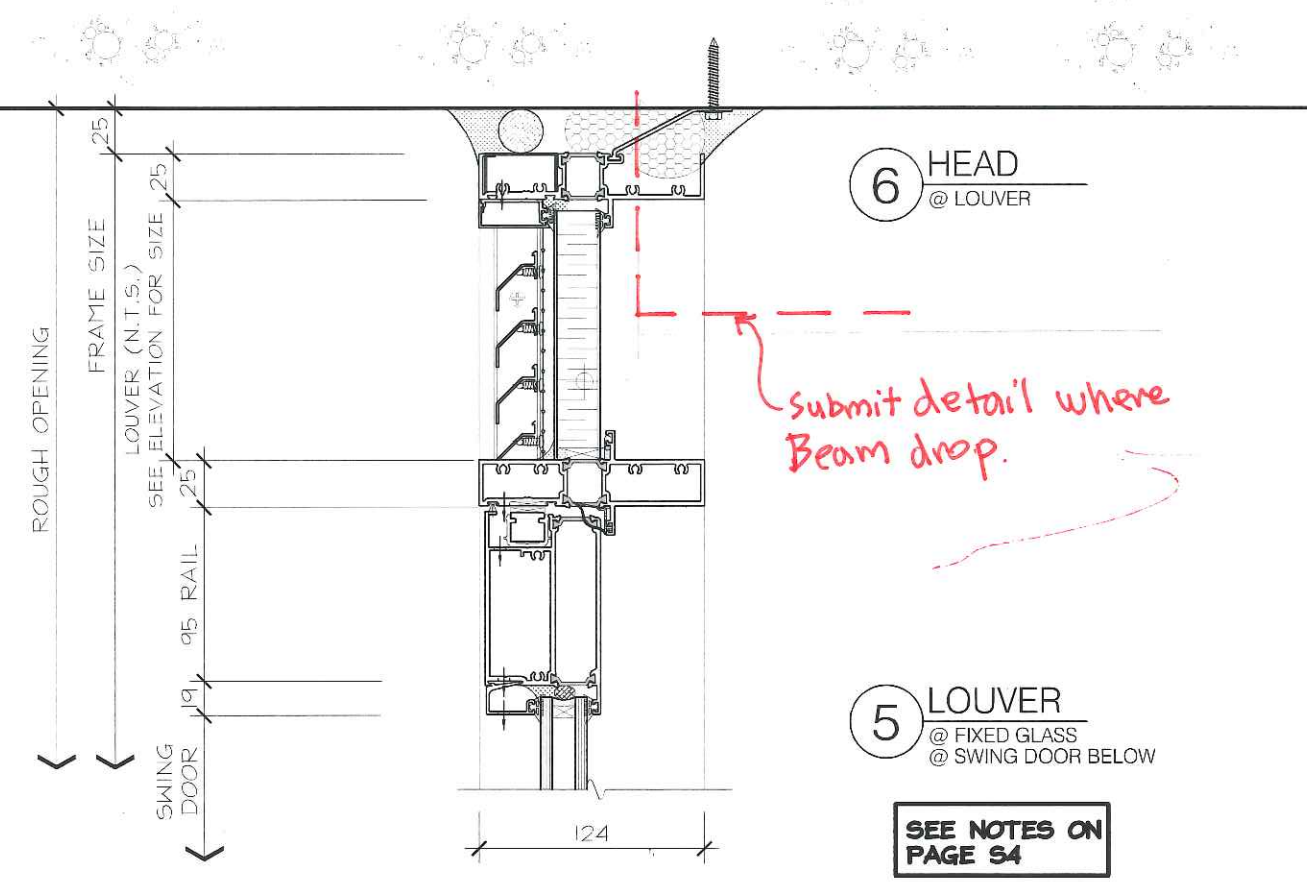
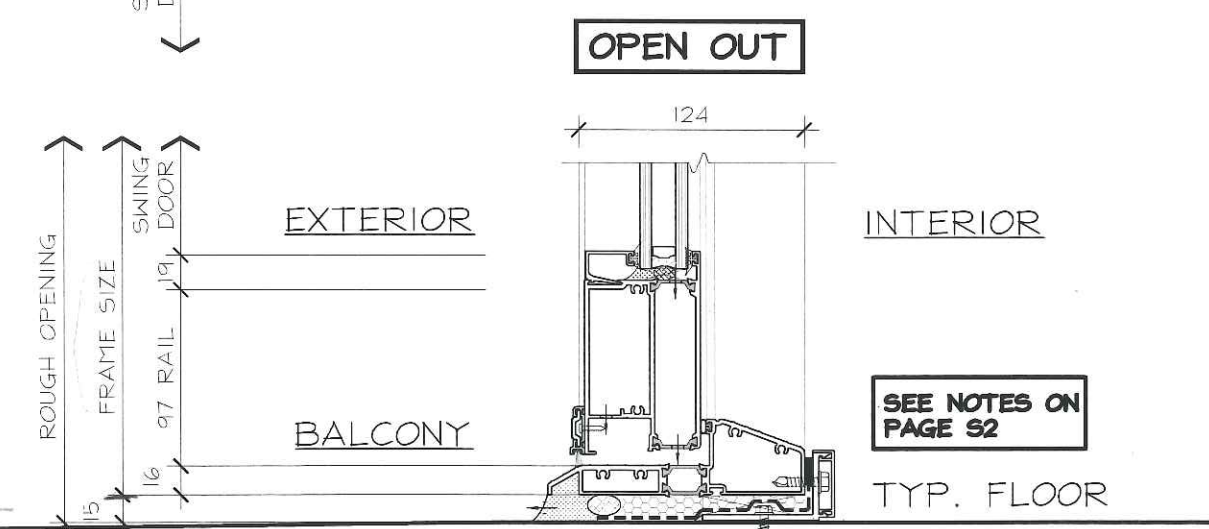
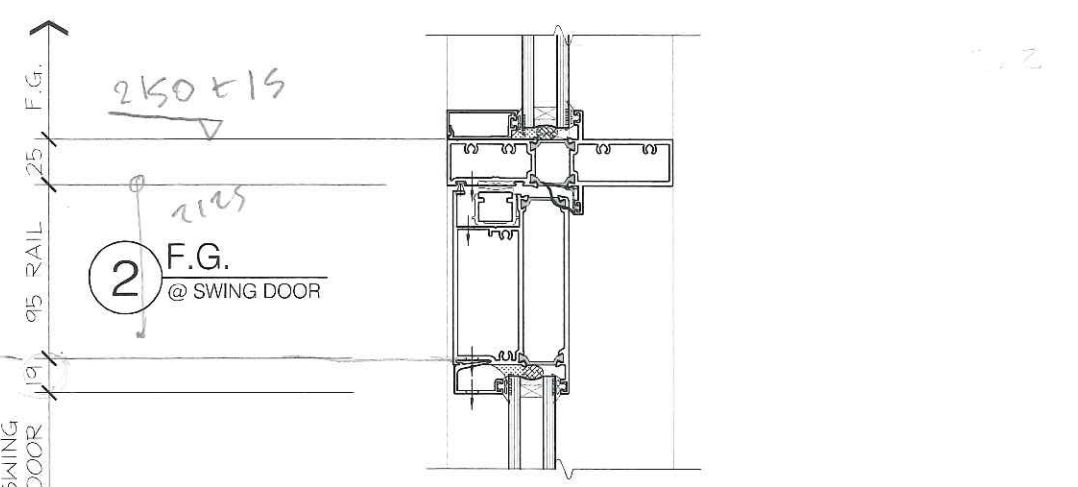
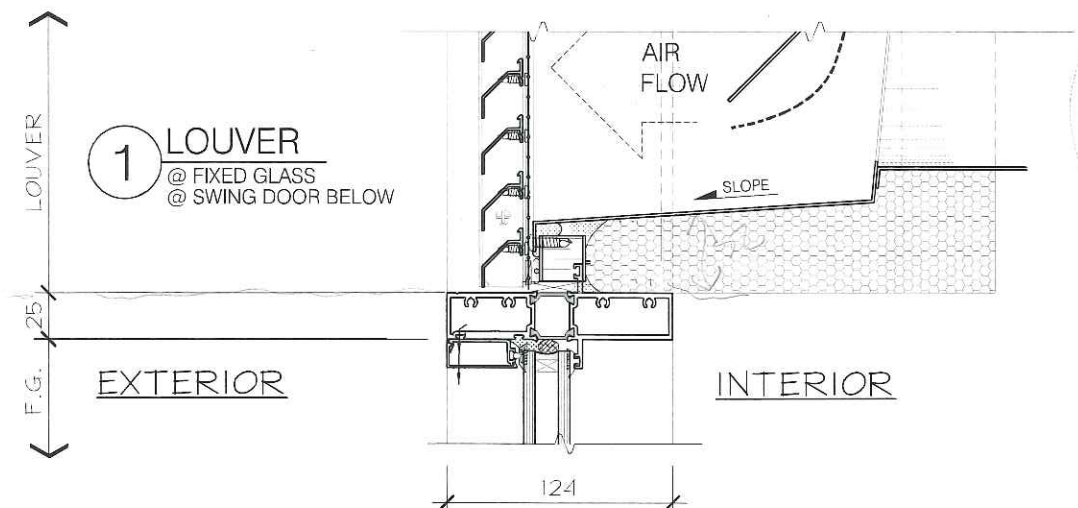
DRAWING No.:
S7



TORO ALUMINUM
 COMMERCIAL INDUSTRIAL RESIDENTIAL
 330 APPLEWOOD CRESCENT TEL: (905) 738-5220
 CONCORD, ON, CANADA FAX: (905) 738-5481
 L4K 4V2 WWW.TOROALUMINUM.COM

No.	REVISION	BY	DATE

PROJECT NAME:	SQ ALEXANDRA PARK - BLOCK 11		
DRAWING TITLE:	SECTION DETAILS		
ARCHITECT:	TEEPLE ARCHITECTS	DRAWING No.:	S8
CONTRACTOR:	TRIDEL	DATE:	
SCALE:	1:4	DRAWN BY:	S.C.
DATE:	MARCH 4, 2015		



3 SWING DOOR SILL
@ BALCONY
CONCRETE SLAB

4 FLUSH PANEL
@ FIXED GLASS
@ SWING DOOR BELOW

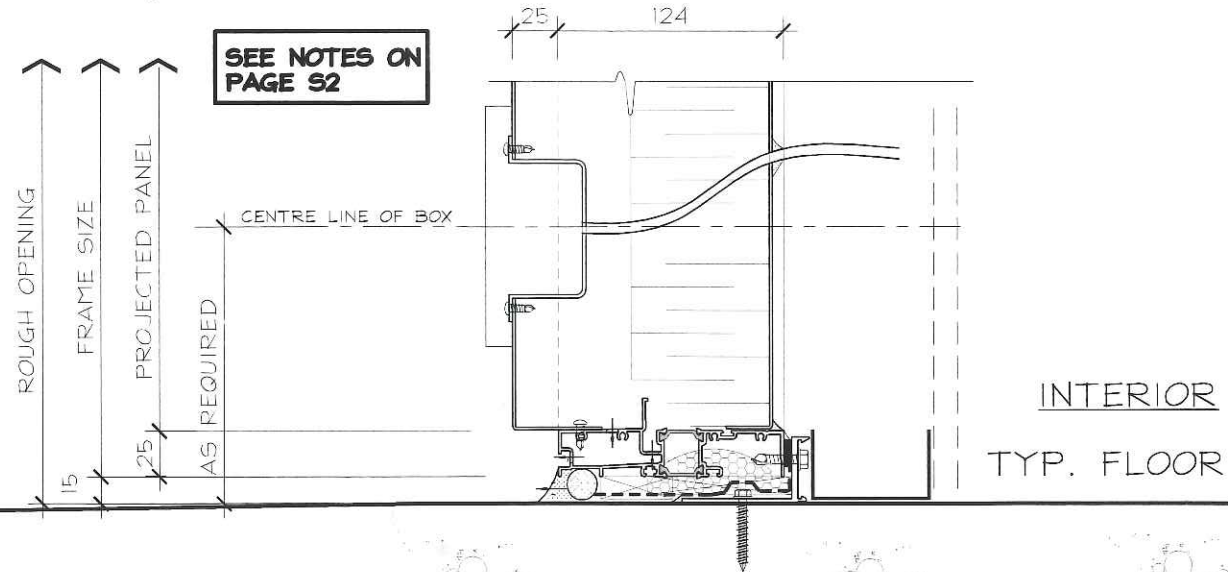


No.	REVISION	BY	DATE

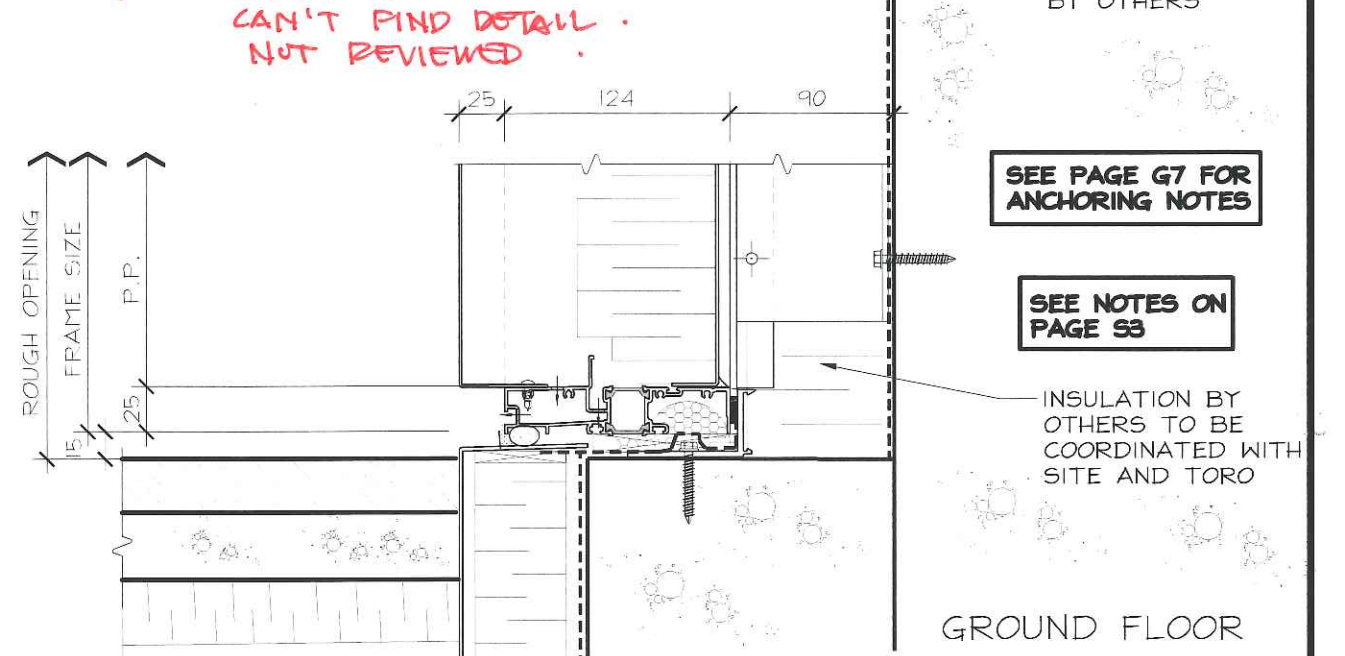
PROJECT NAME:	SQ ALEXANDRA PARK - BLOCK11		
DRAWING TITLE:	SECTION DETAILS		
ARCHITECT:	TEEPLE ARCHITECTS		
CONTRACTOR:	TRIDEL		
SCALE:	1:4	DRAWN BY:	S.C.
DATE:	MARCH 4, 2015		

DRAWING No.:
S9

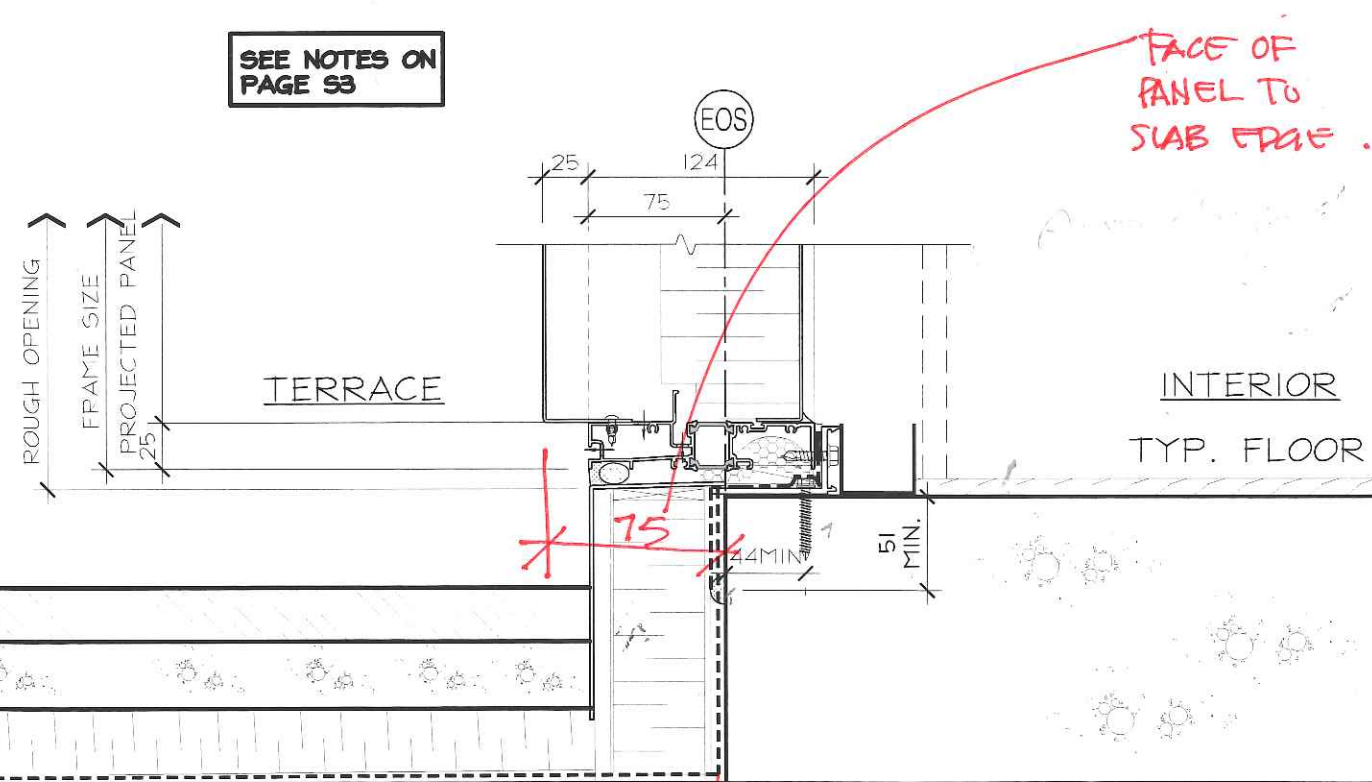
1 PROJECTED PANEL
@ ELECTRICAL OUTLET
@ TERRACE



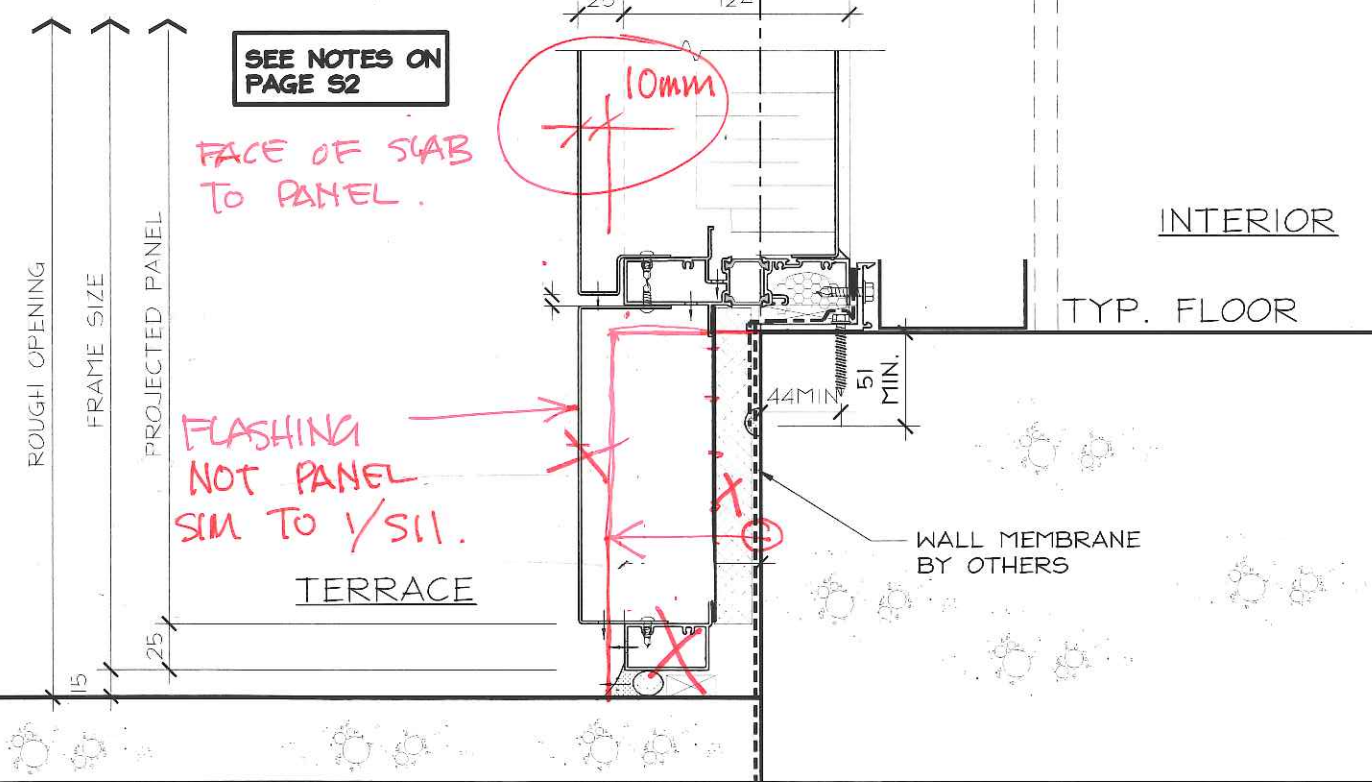
4 PROJECTED PANEL SILL
@ CONCRETE WALL
ARCH REF: 4/A504



2 PROJECTED PANEL
@ TERRACE
ARCH REF: 1/A506



3 PROJECTED PANEL
@ TERRACE
ARCH REF: 2/A501



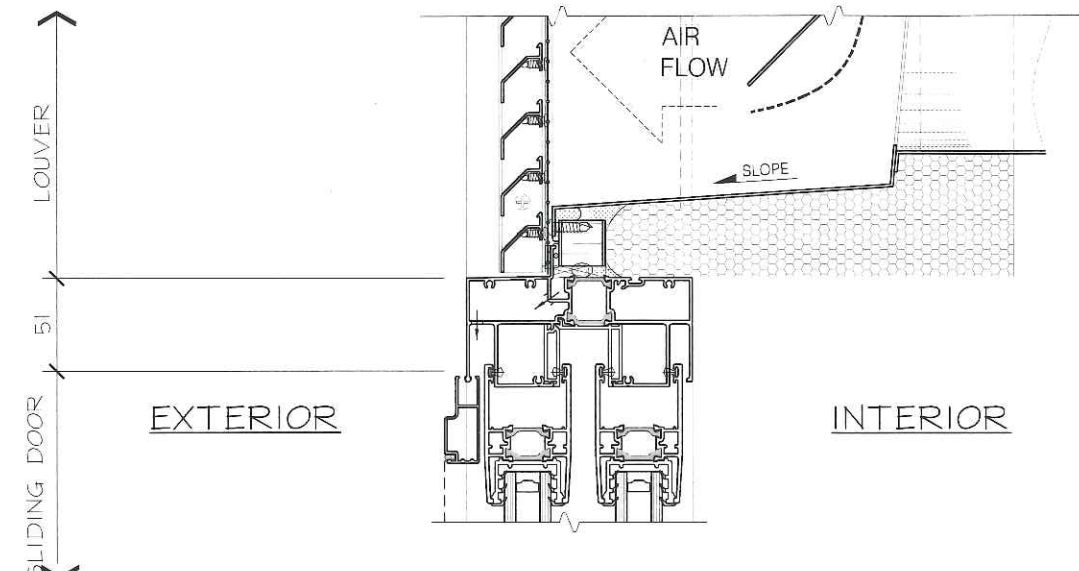
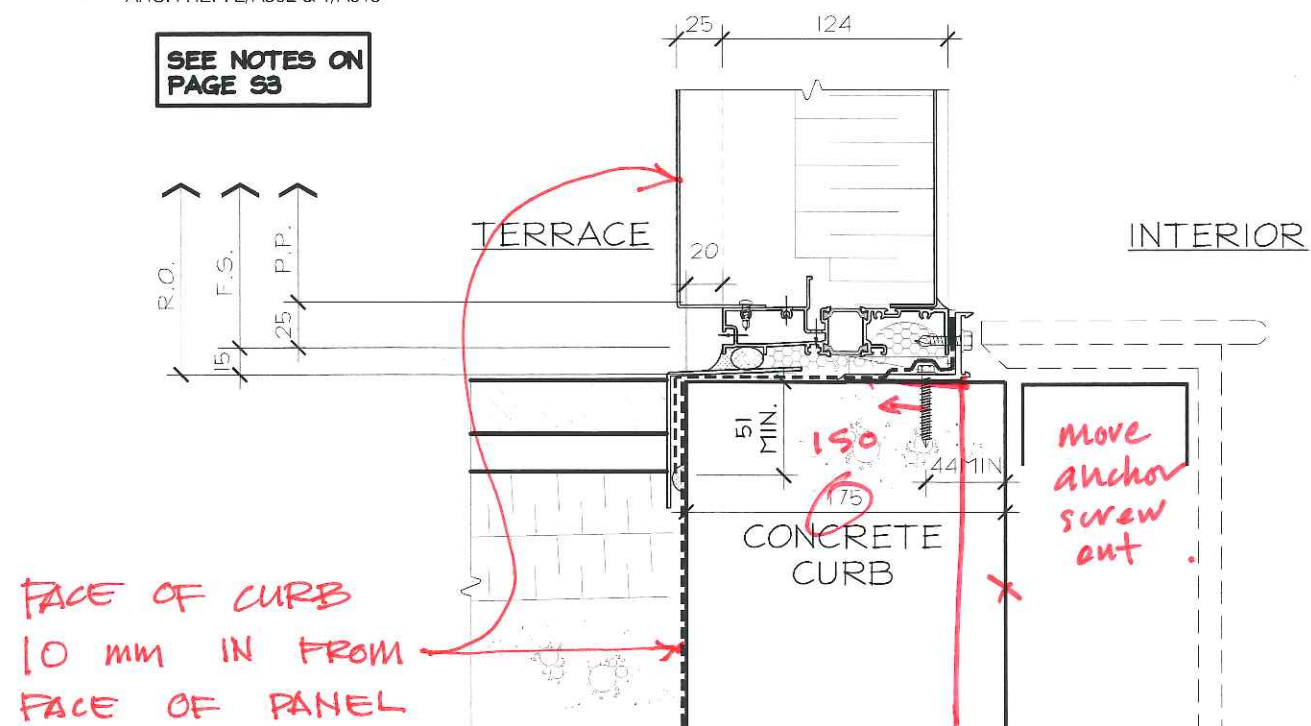
No.	REVISION	BY	DATE

PROJECT NAME:	SQ ALEXANDRA PARK - BLOCK11
DRAWING TITLE:	SECTION DETAILS
ARCHITECT:	TEEPLE ARCHITECTS
CONTRACTOR:	TRIDEL
SCALE:	1:4
DRAWN BY:	S.C.
DATE:	MARCH 4, 2015

DRAWING No.:
S10

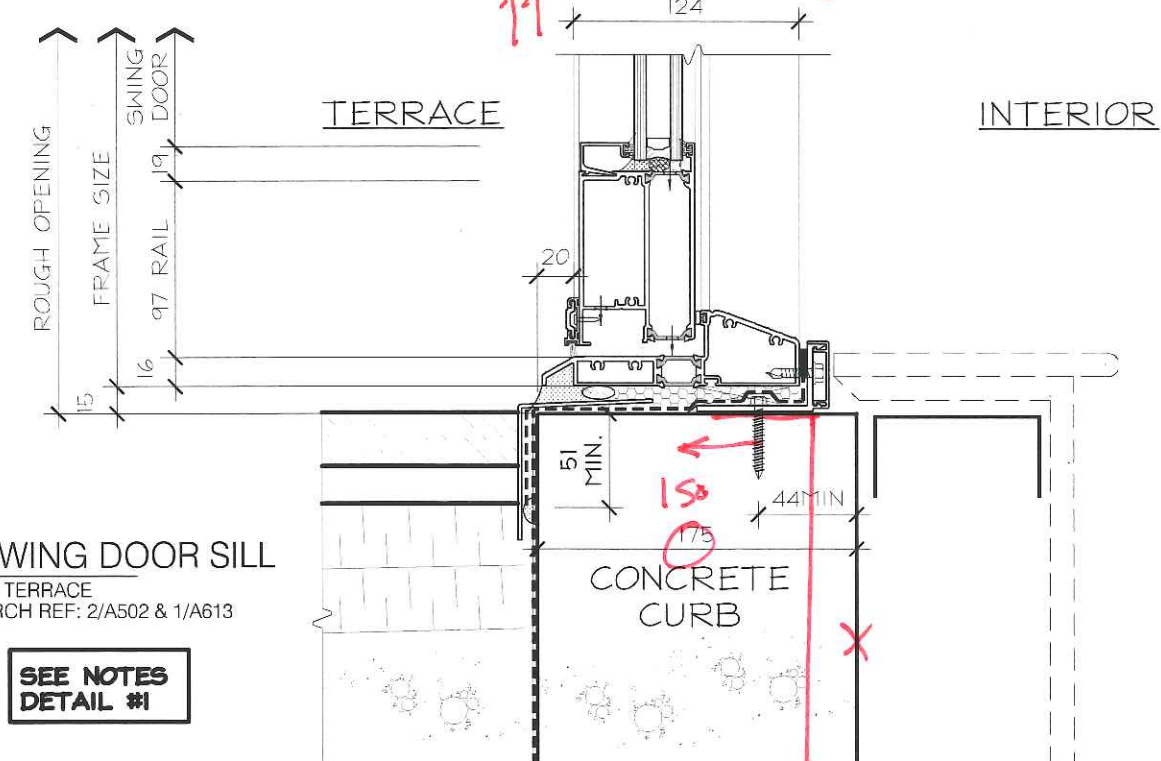
1 PROJECTED PANEL
 @ TERRACE
 ARCH REF: 2/A502 & 1/A613

SEE NOTES ON PAGE 53



4 SLIDING DOOR
 @ LOUVER

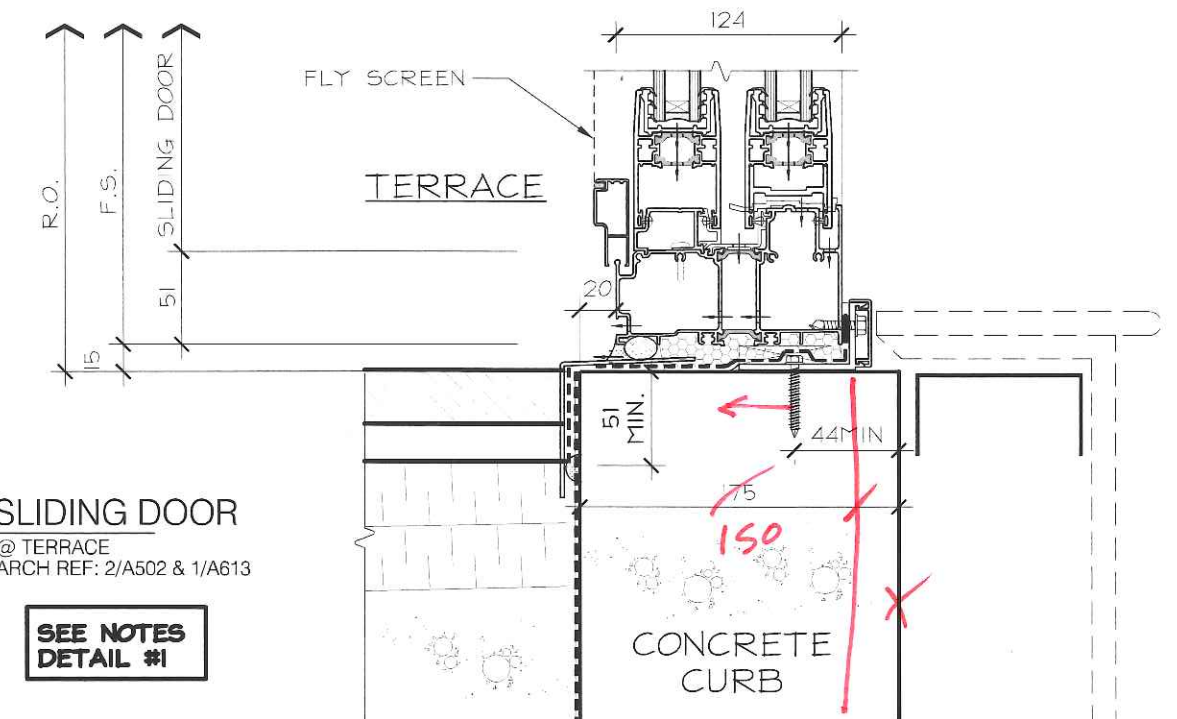
2 SWING DOOR SILL
 @ TERRACE
 ARCH REF: 2/A502 & 1/A613



2 SWING DOOR SILL
 @ TERRACE
 ARCH REF: 2/A502 & 1/A613

SEE NOTES DETAIL #1

3 SLIDING DOOR
 @ TERRACE
 ARCH REF: 2/A502 & 1/A613



SEE NOTES DETAIL #1



No.	REVISION	BY	DATE

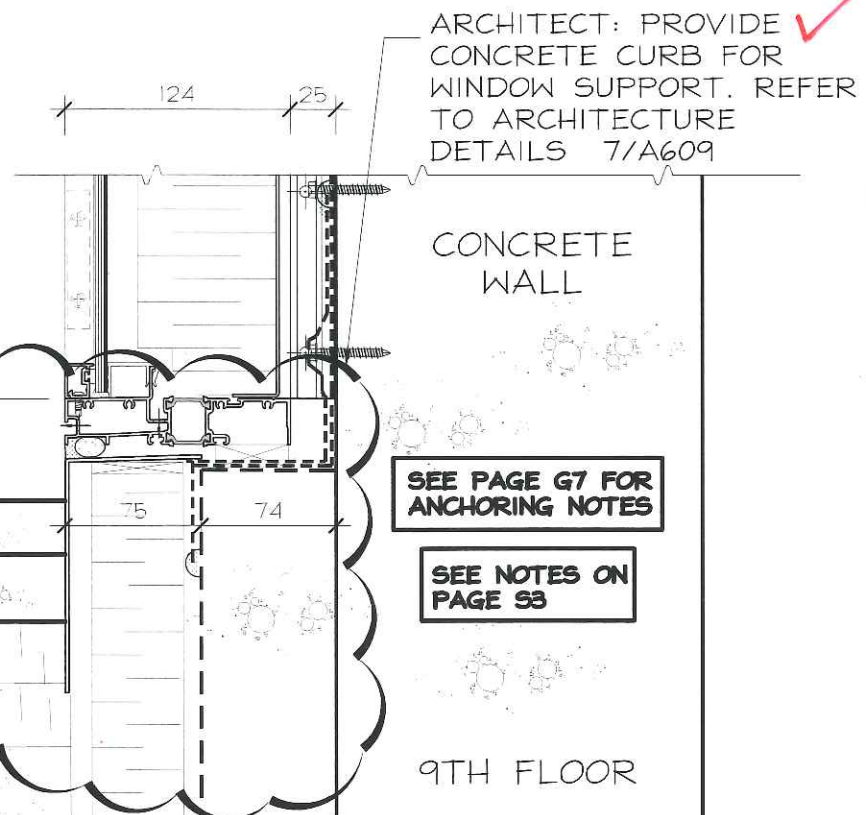
PROJECT NAME:	SQ ALEXANDRA PARK - BLOCK11
DRAWING TITLE:	SECTION DETAILS
ARCHITECT:	TEEPLE ARCHITECTS
CONTRACTOR:	TRIDEL
SCALE:	1:4
DRAWN BY:	S.C.
DATE:	MARCH 4, 2015

DRAWING No.:
S11

1 SILL
@ SPANDREL GLASS
ARCH REF. 1/A505

ARCHITECT TO CONFIRM DETAIL

STAIR J
REVISED FROM CHANNEL GLASS TO CURTAIN WALL DETAILS TO FOLLOW



ARCHITECT: PROVIDE CONCRETE CURB FOR WINDOW SUPPORT. REFER TO ARCHITECTURE DETAILS 7/A609

CONCRETE WALL

SEE PAGE G7 FOR ANCHORING NOTES

SEE NOTES ON PAGE S3

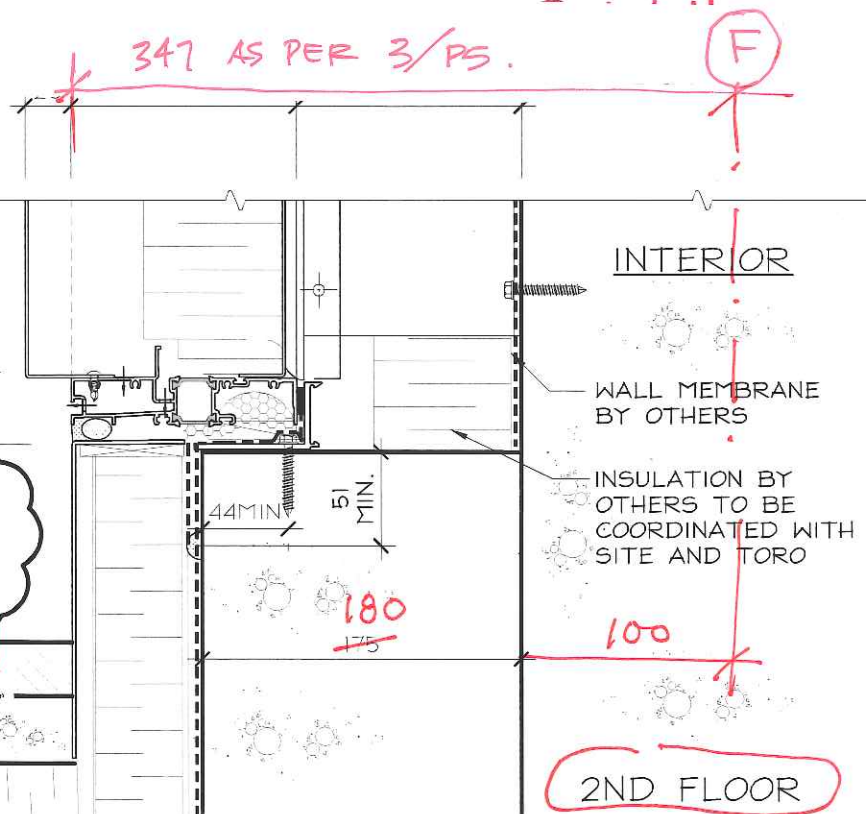
9TH FLOOR

2 PROJECTED PANEL
@ TERRACE
ARCH REF. 1/A506

SEE NOTES ON PAGE S3

SEE PAGE G7 FOR ANCHORING NOTES

ARCHITECT TO CONFIRM DETAIL. DISCREPANCY BETWEEN ARCH. REF. 2/A402 AND A252



INTERIOR

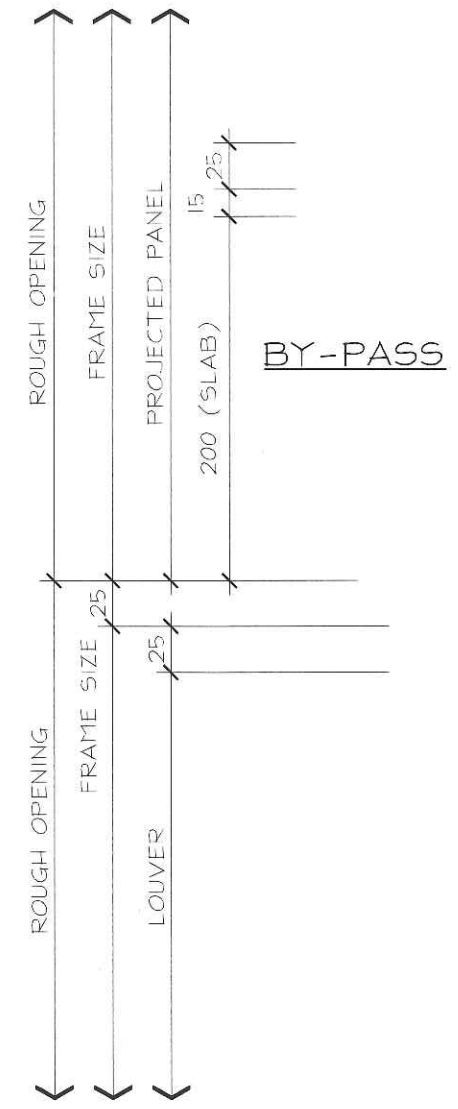
WALL MEMBRANE BY OTHERS

INSULATION BY OTHERS TO BE COORDINATED WITH SITE AND TORO

2ND FLOOR

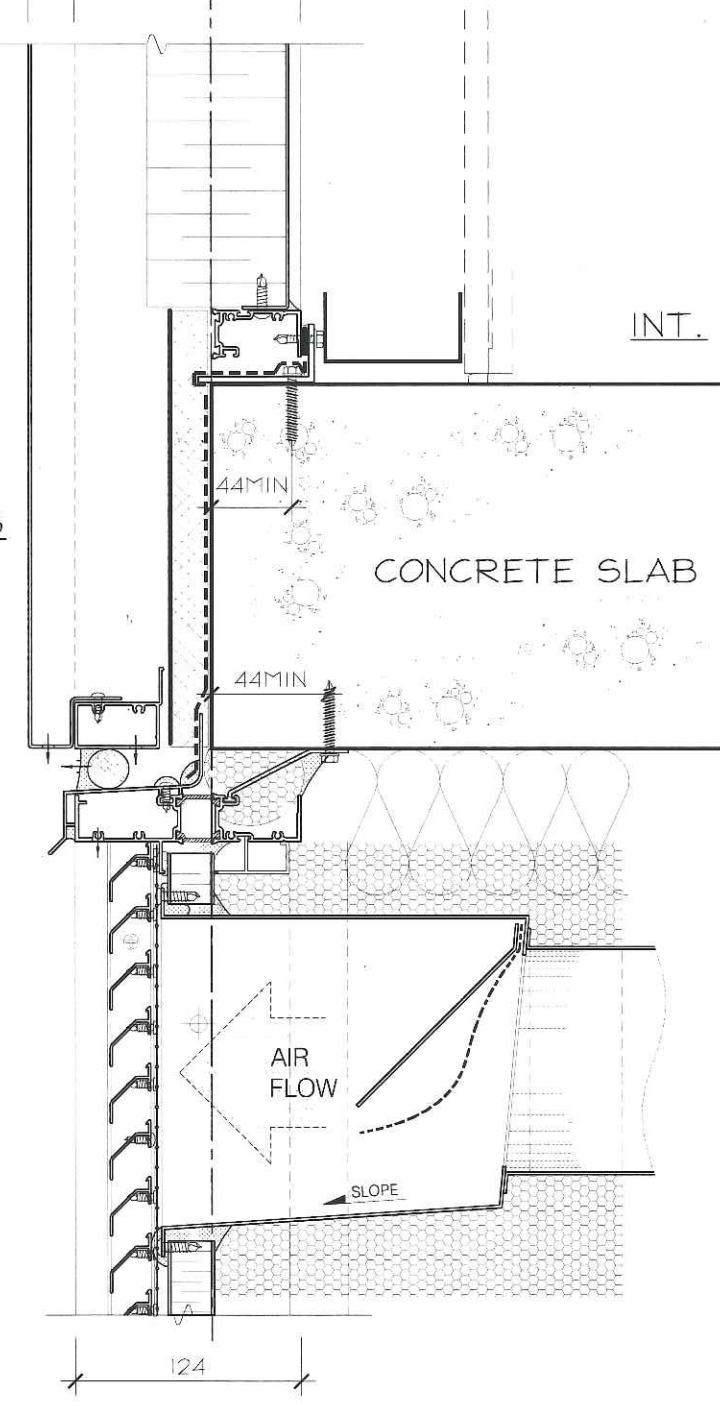
3 PROJECTED PANEL
@ LOUVER BY-PASS

SEE NOTES ON PAGE S1



EOS

25 75 49
124



INT.

CONCRETE SLAB

AIR FLOW

SLOPE

124

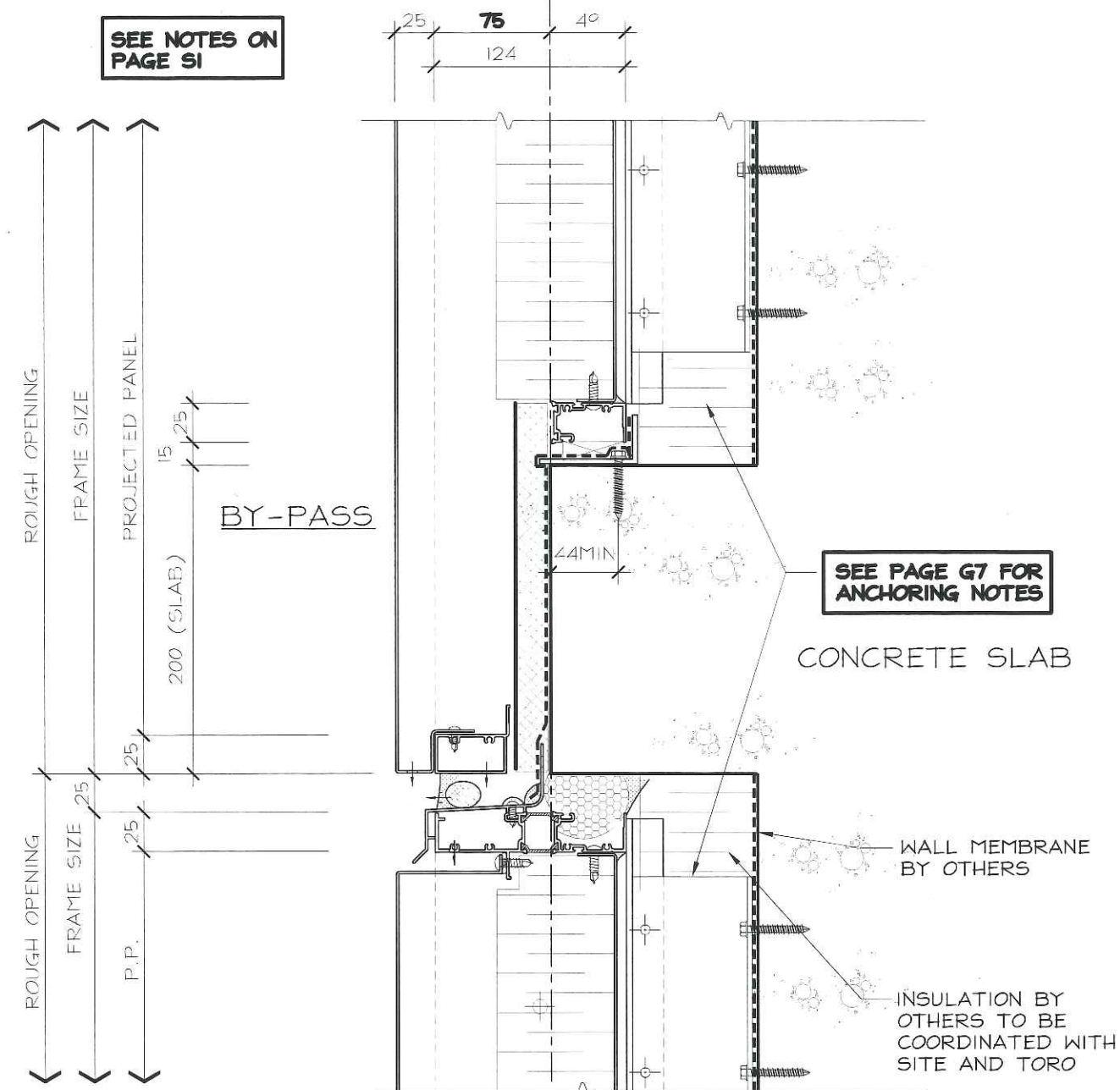
No.	REVISION	BY	DATE

PROJECT NAME:	SQ ALEXANDRA PARK - BLOCK11
DRAWING TITLE:	SECTION DETAILS
ARCHITECT:	TEEPLE ARCHITECTS
CONTRACTOR:	TRIDEL
SCALE:	1:4
DRAWN BY:	S.C.
DATE:	MARCH 4, 2015

DRAWING No.:
S12

1 PROJECTED PANEL
@ P.P. BY-PASS

SEE NOTES ON
PAGE S1

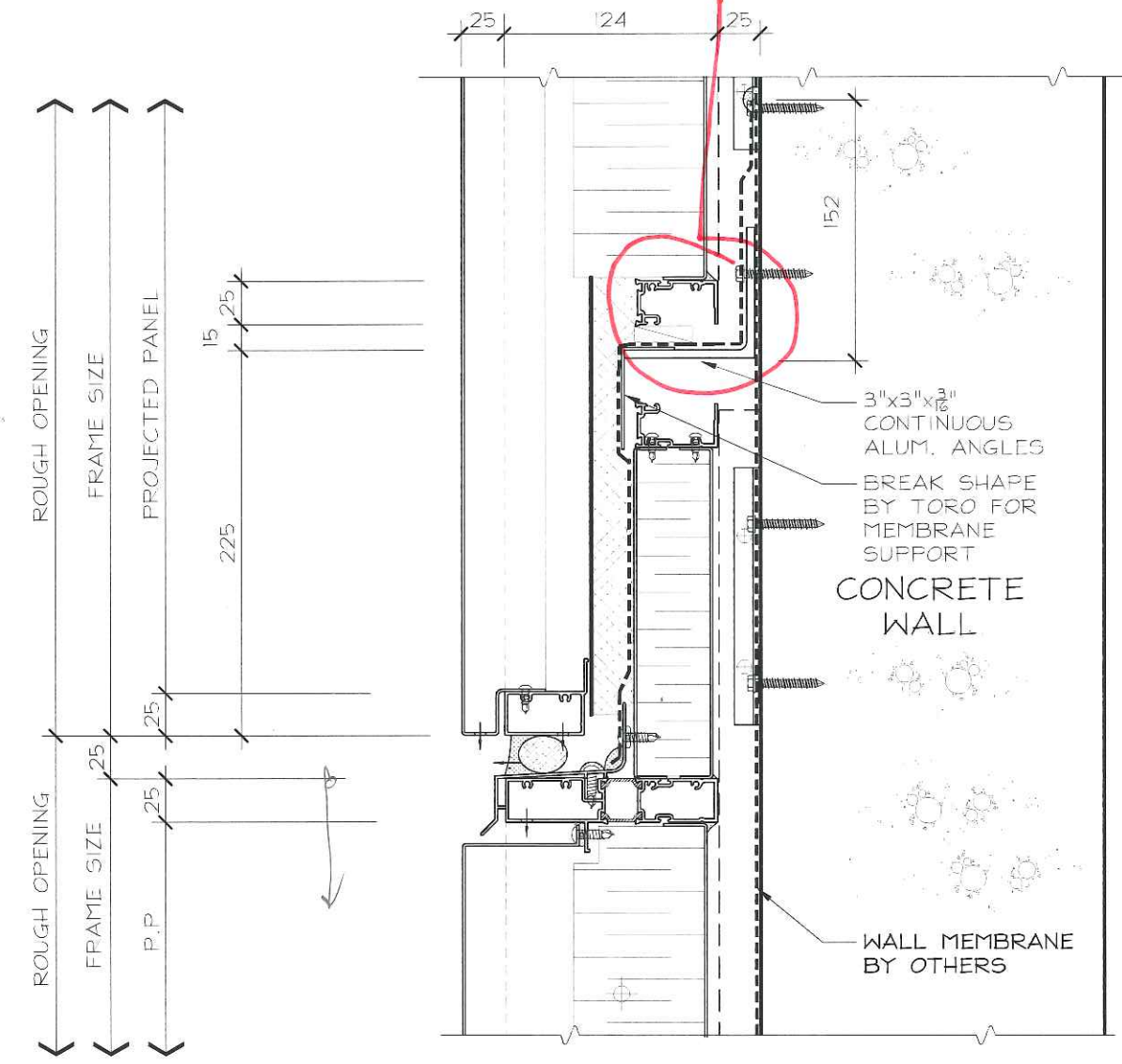


2 PROJECTED PANEL
@ P.P. BY-PASS

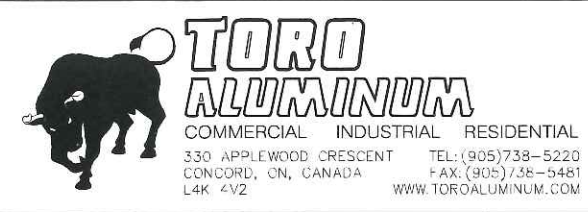


3 PROJECTED PANEL
@ PROJECTED PANEL
@ CONCRETE WALL
ARCH REF. 22/A507

PROBLEM.
The back pan & interior frame
extrusion are the air barrier
typ. all conditions. We have a
breach in the air barrier here



If we say ^{MECH FLOOR} the concrete is the air
barrier in this location, then the
window wall must be sealed to the
perimeter of the concrete, which
it is not.



No.	REVISION	BY	DATE

PROJECT NAME:	SQ ALEXANDRA PARK - BLOCK11
DRAWING TITLE:	SECTION DETAILS
ARCHITECT:	TEEPLE ARCHITECTS
CONTRACTOR:	TRIDEL
SCALE:	1:4
DRAWN BY:	S.C.
DATE:	MARCH 4, 2015

DRAWING No.:
S13

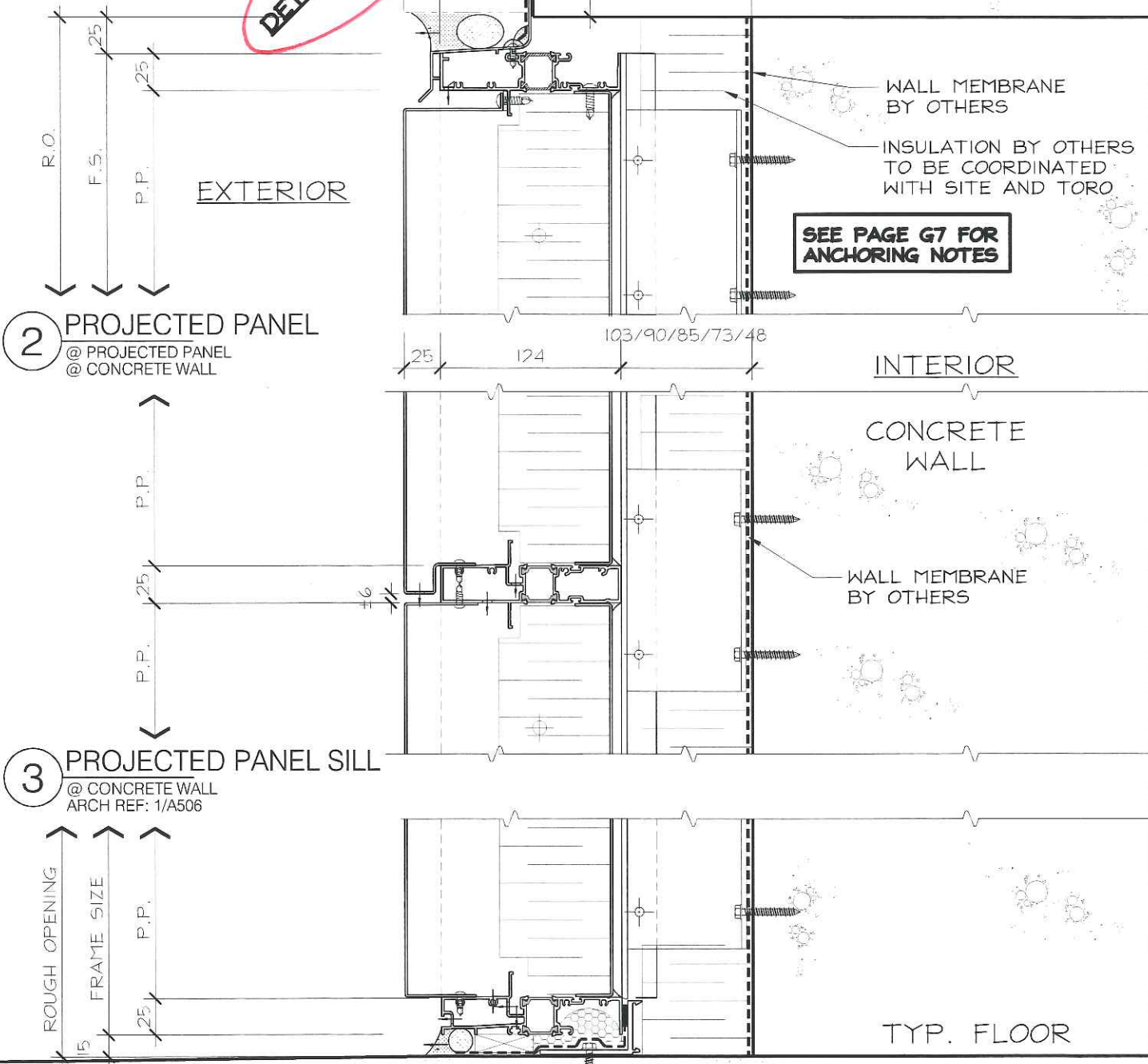
1 HEAD
 @ PROJECTED PANEL
 @ CONCRETE WALL
 ARCH REF: 1/A506 & 1/A702

no, this must be window wall. site instruction to follow.

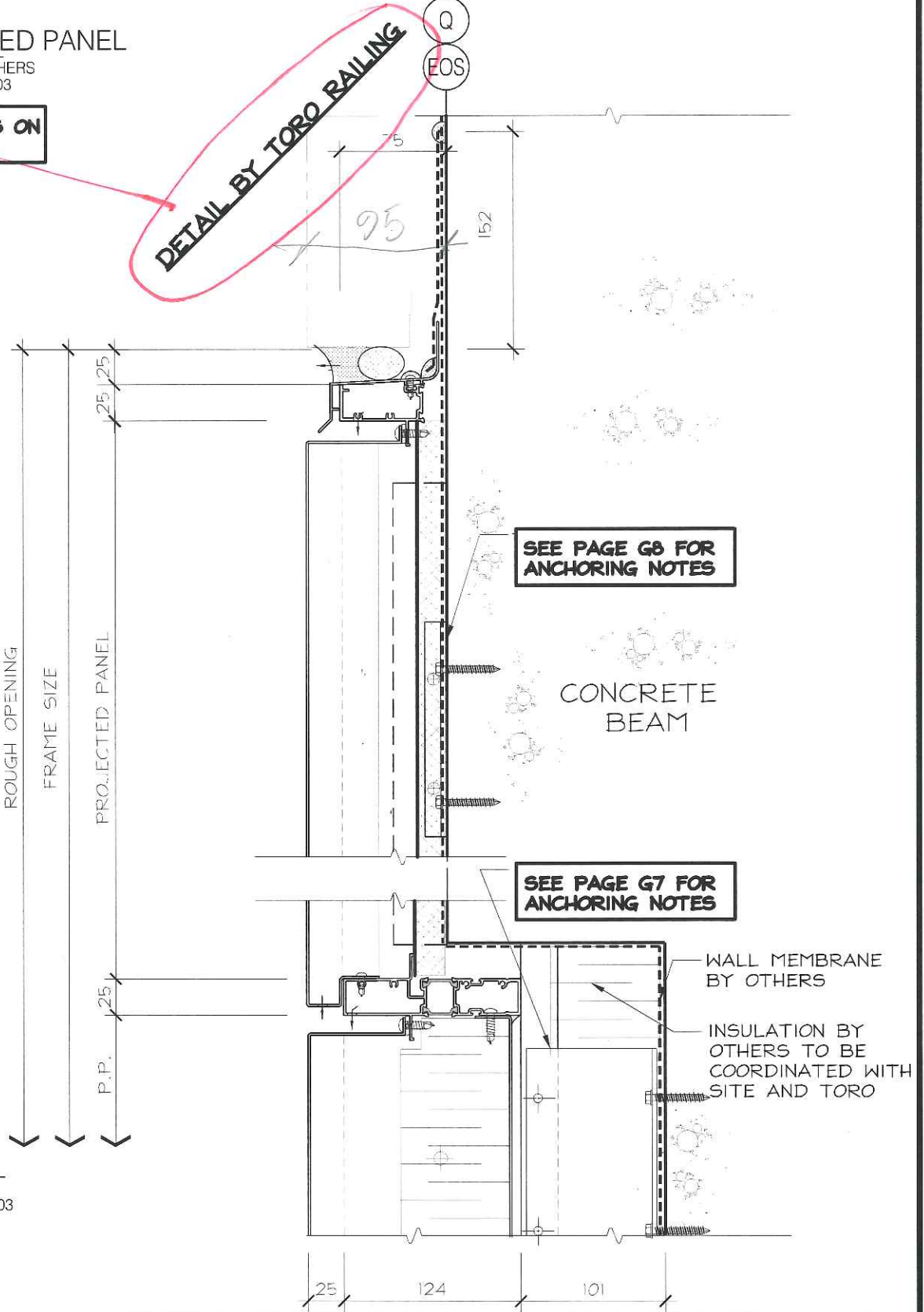
DETAIL BY TORO RAILING

5 PROJECTED PANEL
 @ FRAME BY OTHERS
 ARCH REF: 1/A503
SEE NOTES ON PAGE S1

DETAIL BY TORO RAILING

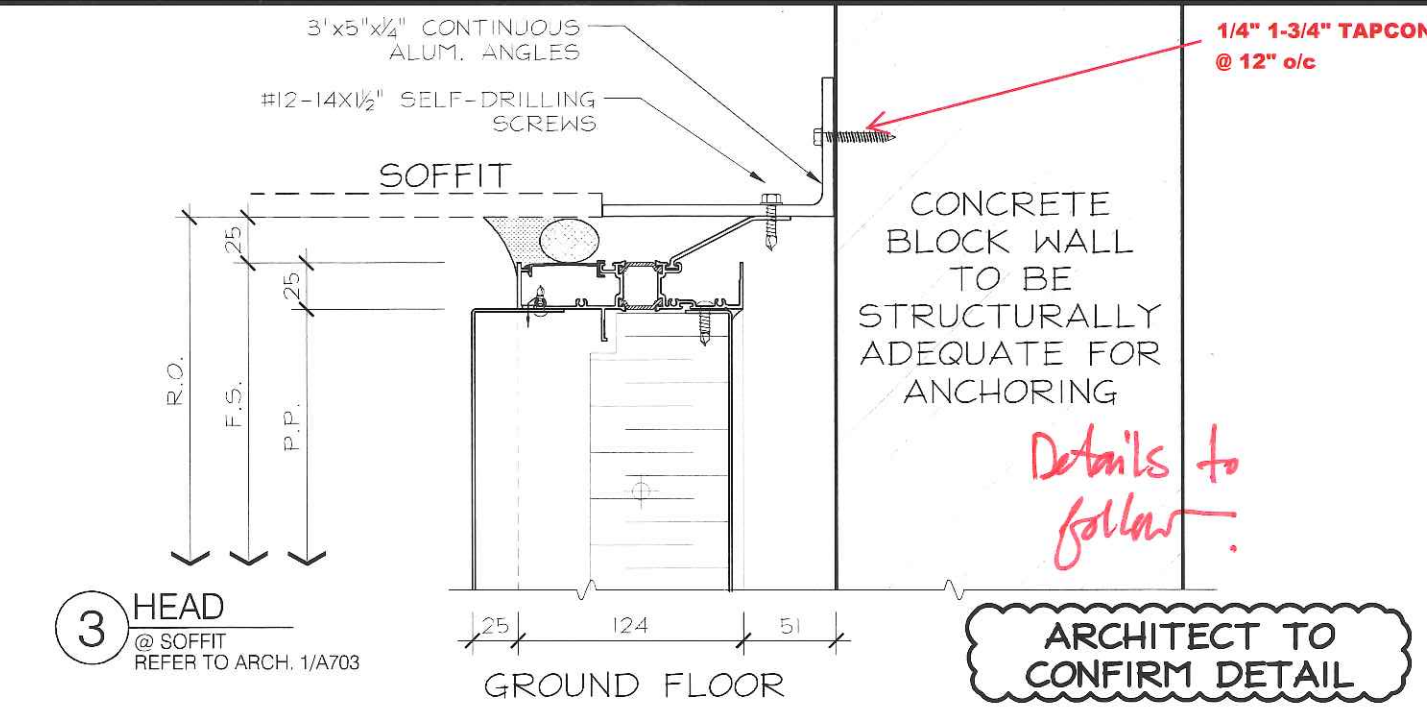
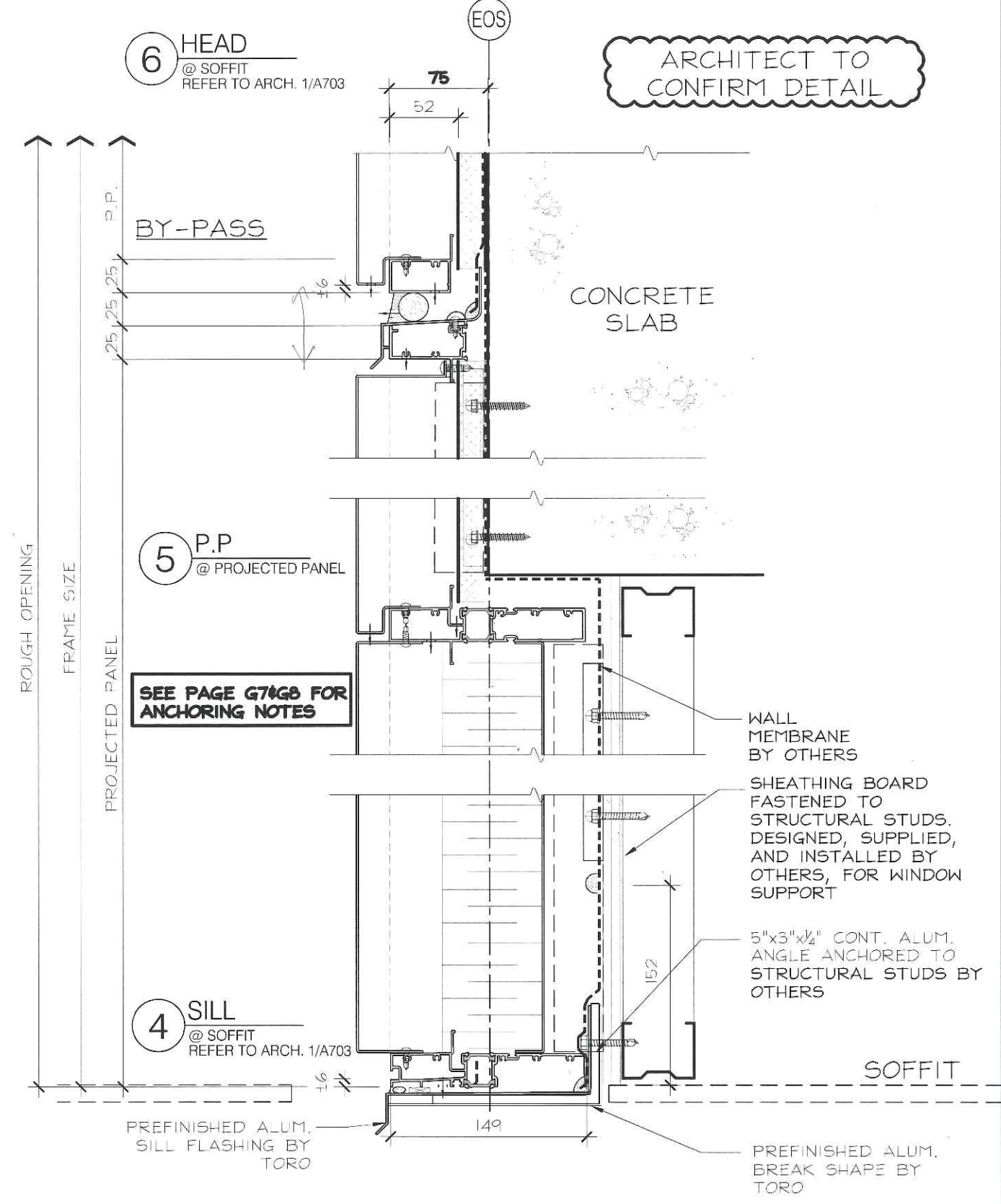
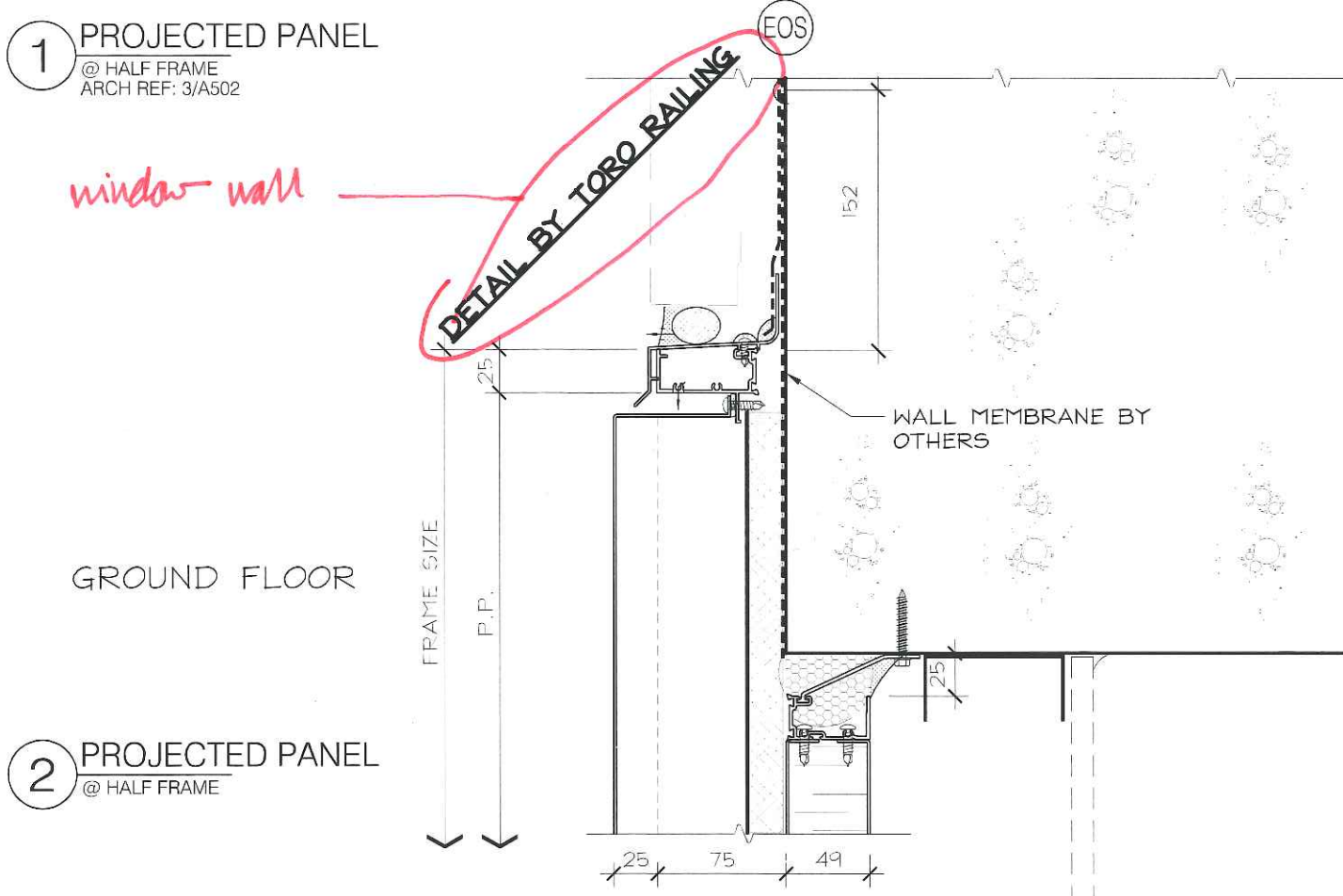


4 P.P.
 @ P.P.
 ARCH REF: 1/A503



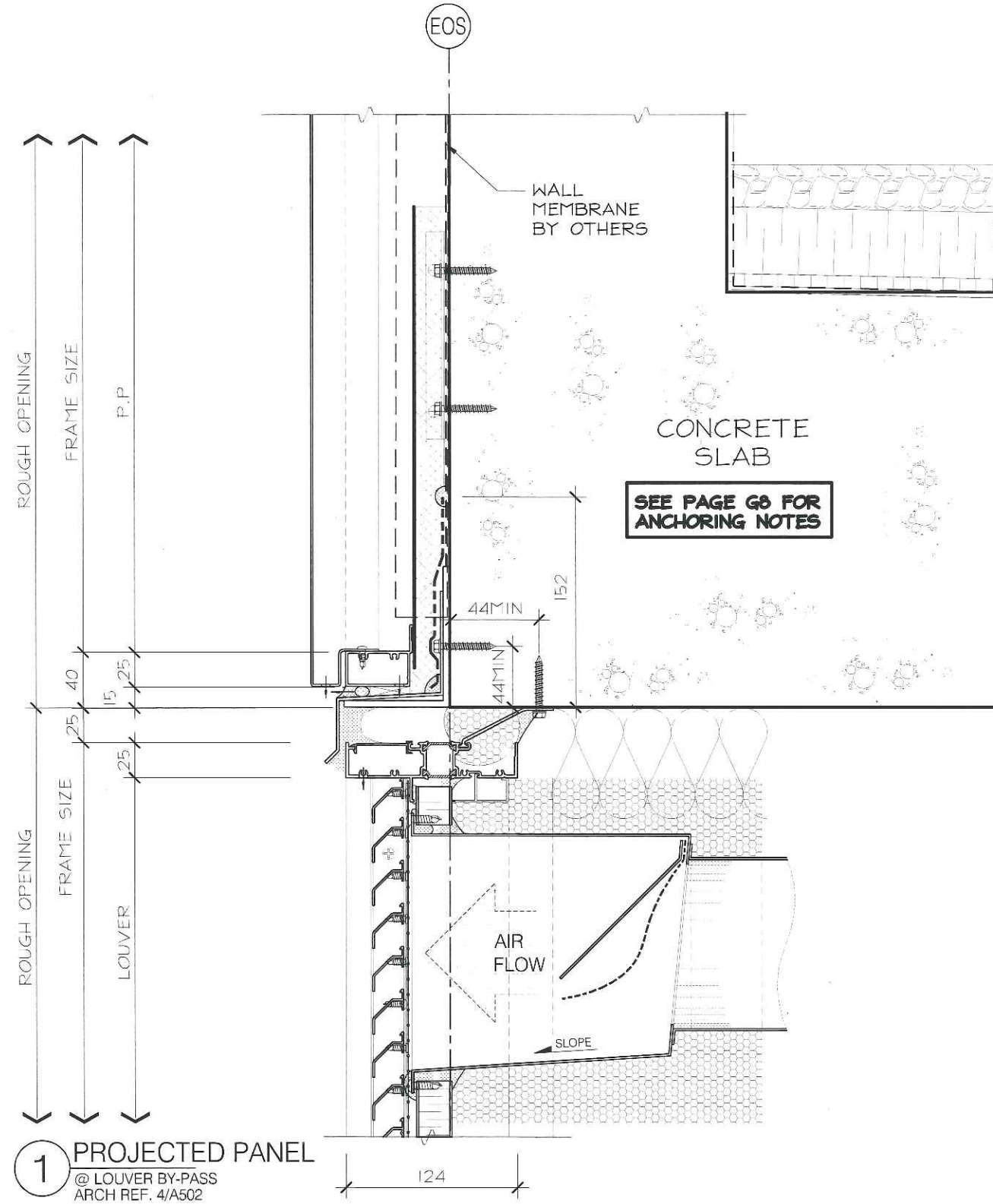
No.	REVISION	BY	DATE

PROJECT NAME:	SQ ALEXANDRA PARK - BLOCK11		
DRAWING TITLE:	SECTION DETAILS		
ARCHITECT:	TEEPLE ARCHITECTS		DRAWING No.:
CONTRACTOR:	TRIDEL		S14
SCALE:	1:4	DRAWN BY:	S.C.
DATE:	MARCH 4, 2015		

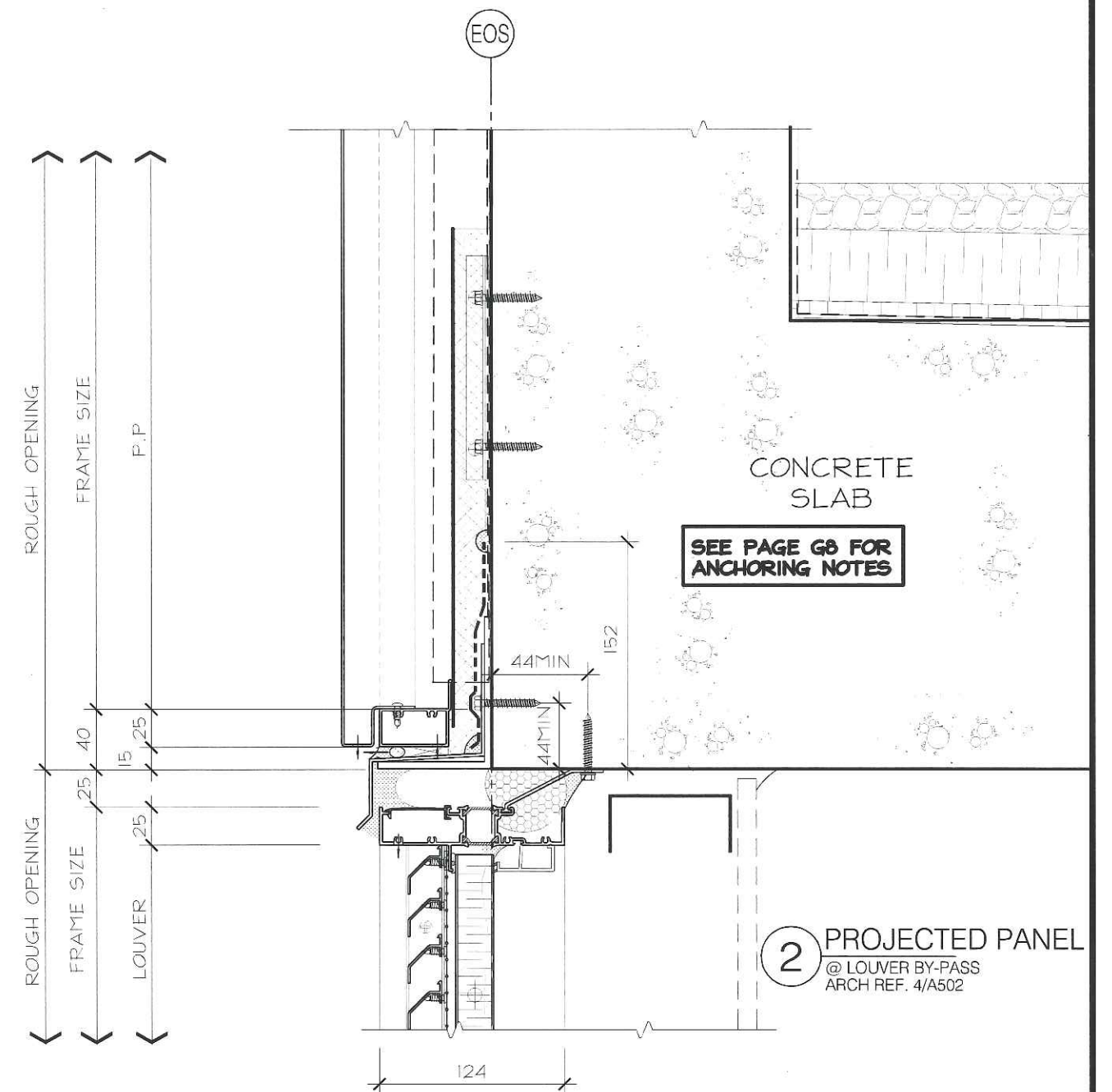


No.	REVISION	BY	DATE

PROJECT NAME:	SQ ALEXANDRA PARK - BLOCK11		
DRAWING TITLE:	SECTION DETAILS		
ARCHITECT:	TEEPLE ARCHITECTS		DRAWING No.:
CONTRACTOR:	TRIDEL		S15
SCALE:	1:4	DRAWN BY:	S.C.
DATE:	MARCH 4, 2015		



1 PROJECTED PANEL
@ LOUVER BY-PASS
ARCH REF. 4/A502



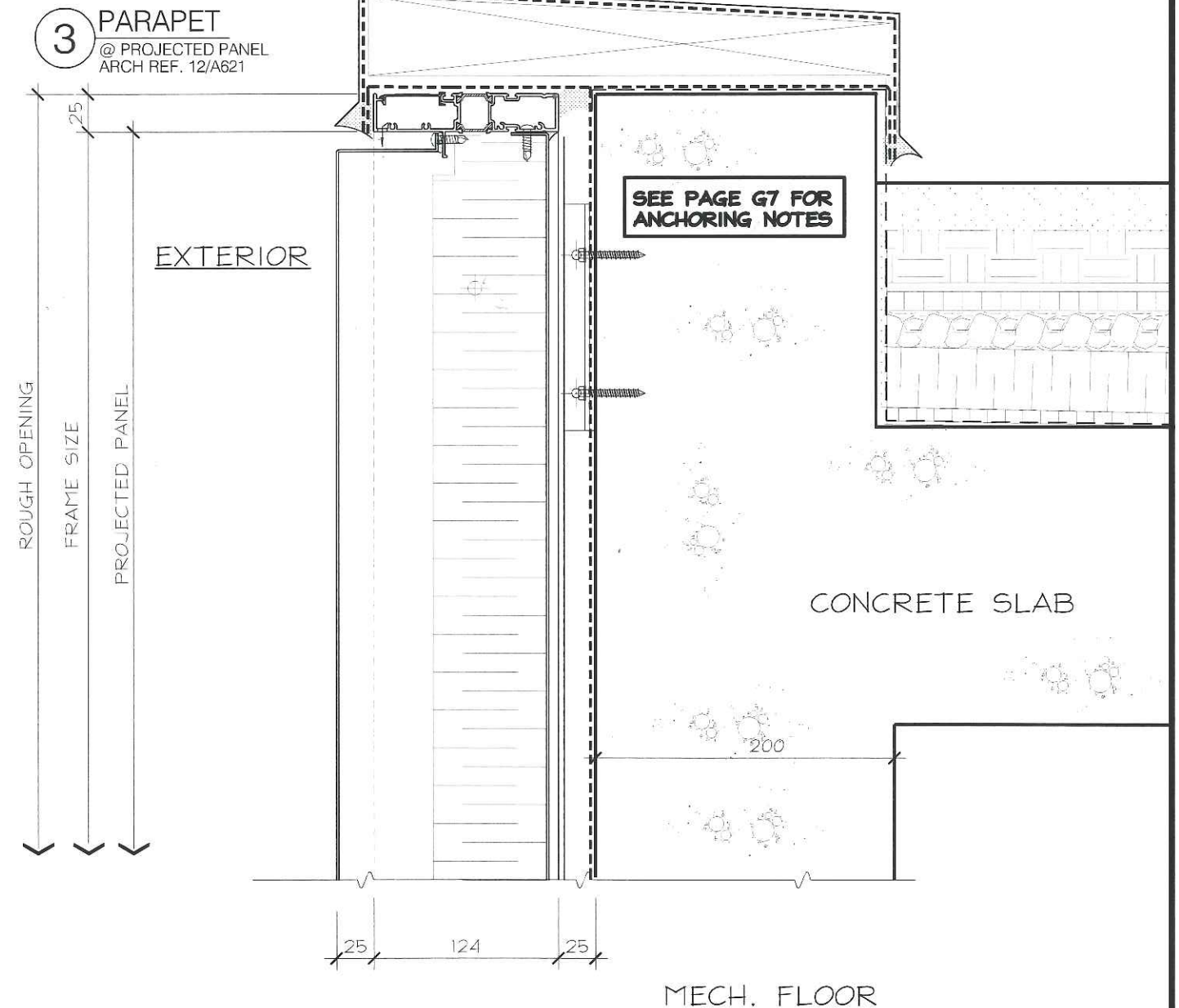
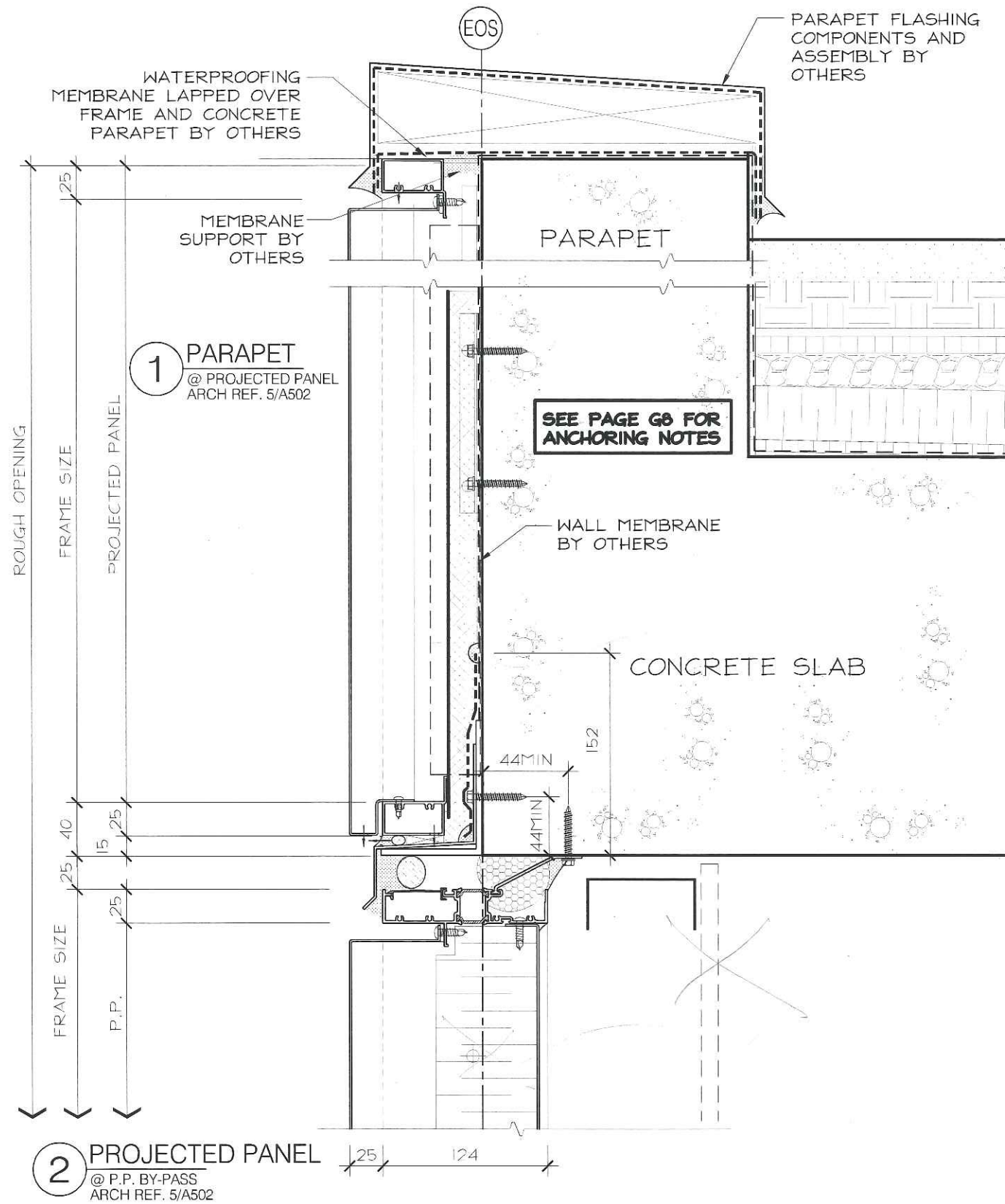
2 PROJECTED PANEL
@ LOUVER BY-PASS
ARCH REF. 4/A502



No.	REVISION	BY	DATE

PROJECT NAME:	SQ ALEXANDRA PARK - BLOCK11
DRAWING TITLE:	SECTION DETAILS
ARCHITECT:	TEEPLE ARCHITECTS
CONTRACTOR:	TRIDEL
SCALE:	1:4
DRAWN BY:	S.C.
DATE:	MARCH 4, 2015

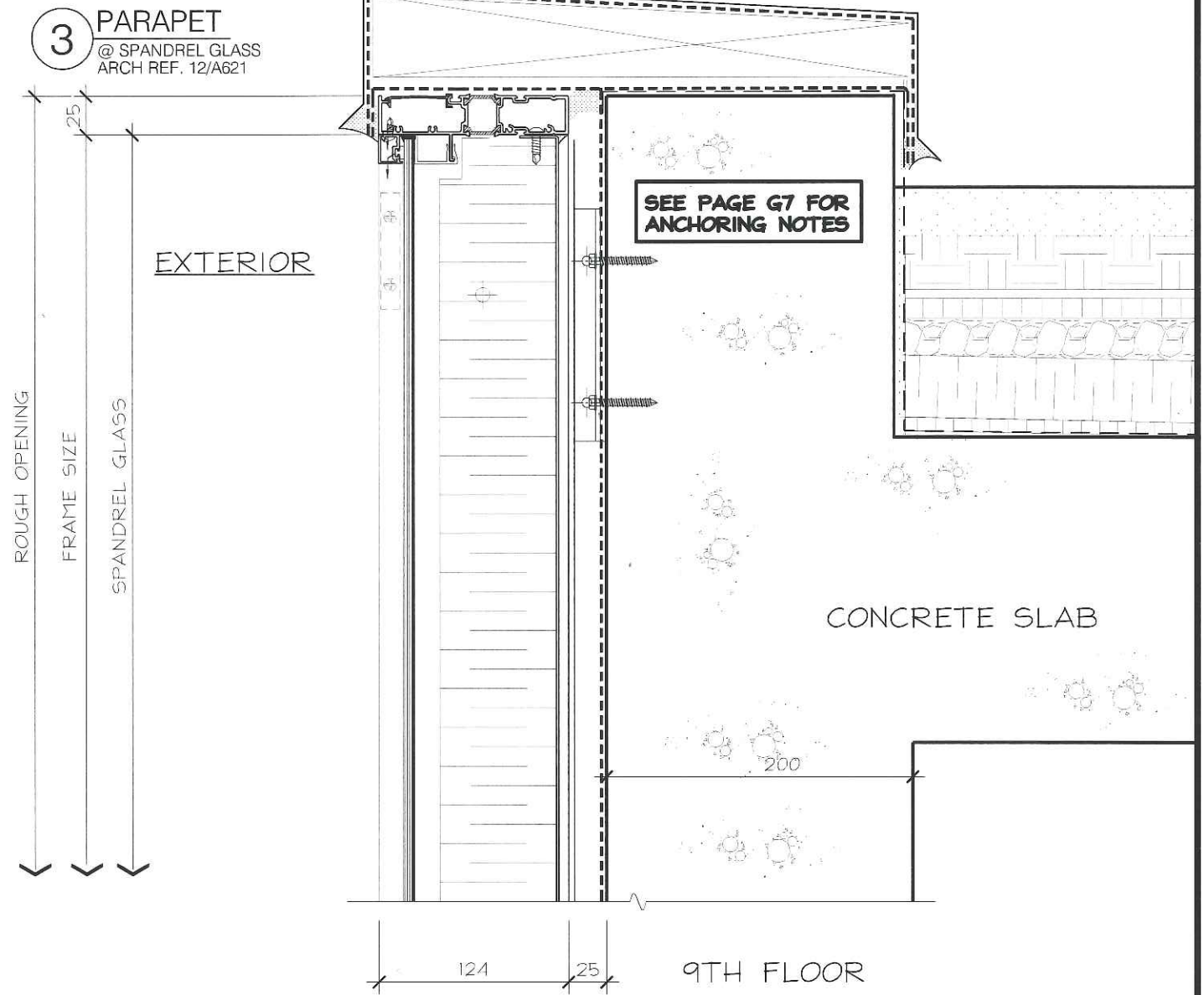
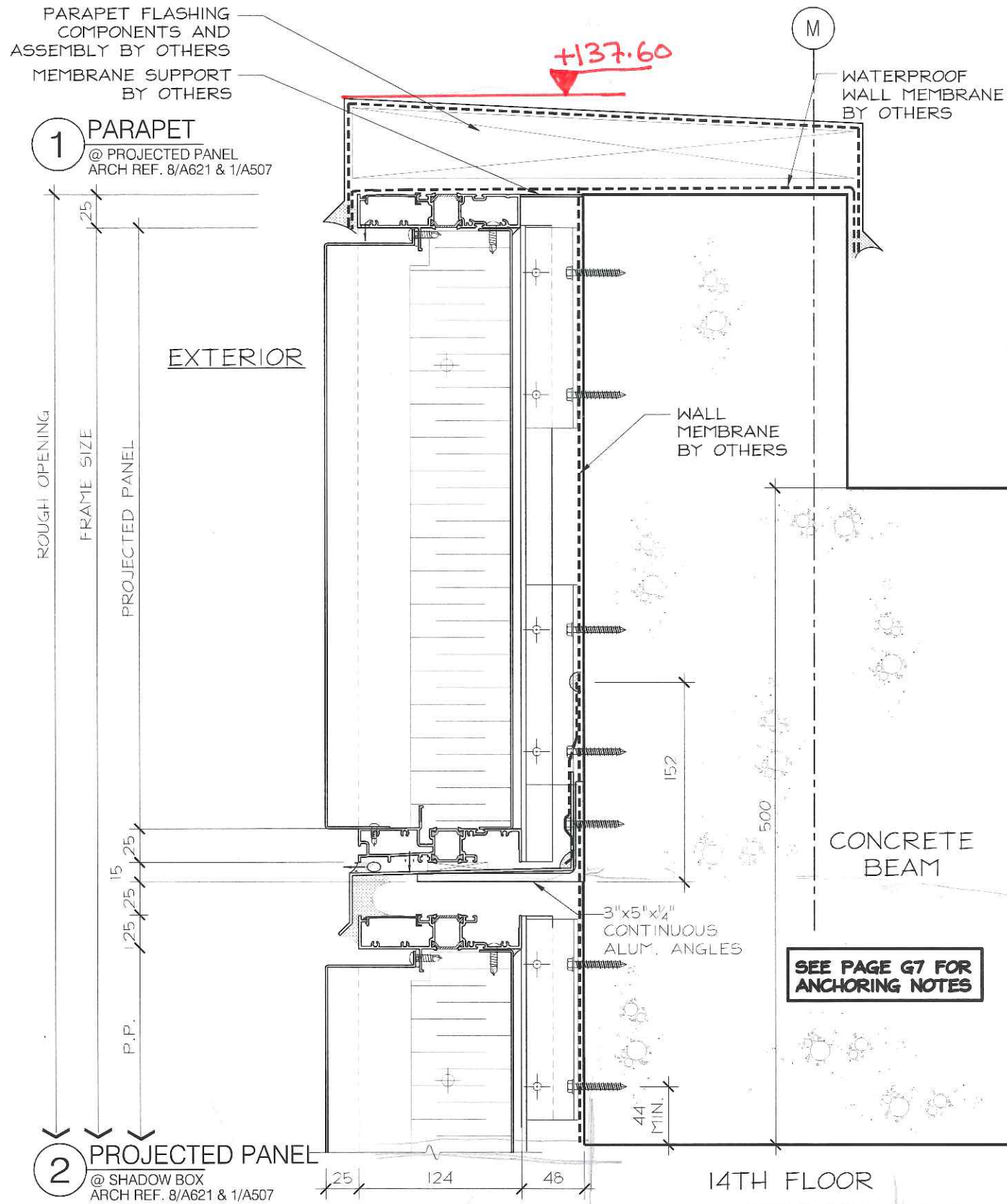
DRAWING No.:
S16



No.	REVISION	BY	DATE

PROJECT NAME:	SQ ALEXANDRA PARK - BLOCK11		
DRAWING TITLE:	SECTION DETAILS		
ARCHITECT:	TEEPLE ARCHITECTS		
CONTRACTOR:	TRIDEL		
SCALE:	1:4	DRAWN BY:	S.C.
DATE:	MARCH 4, 2015		

DRAWING No.:
S17

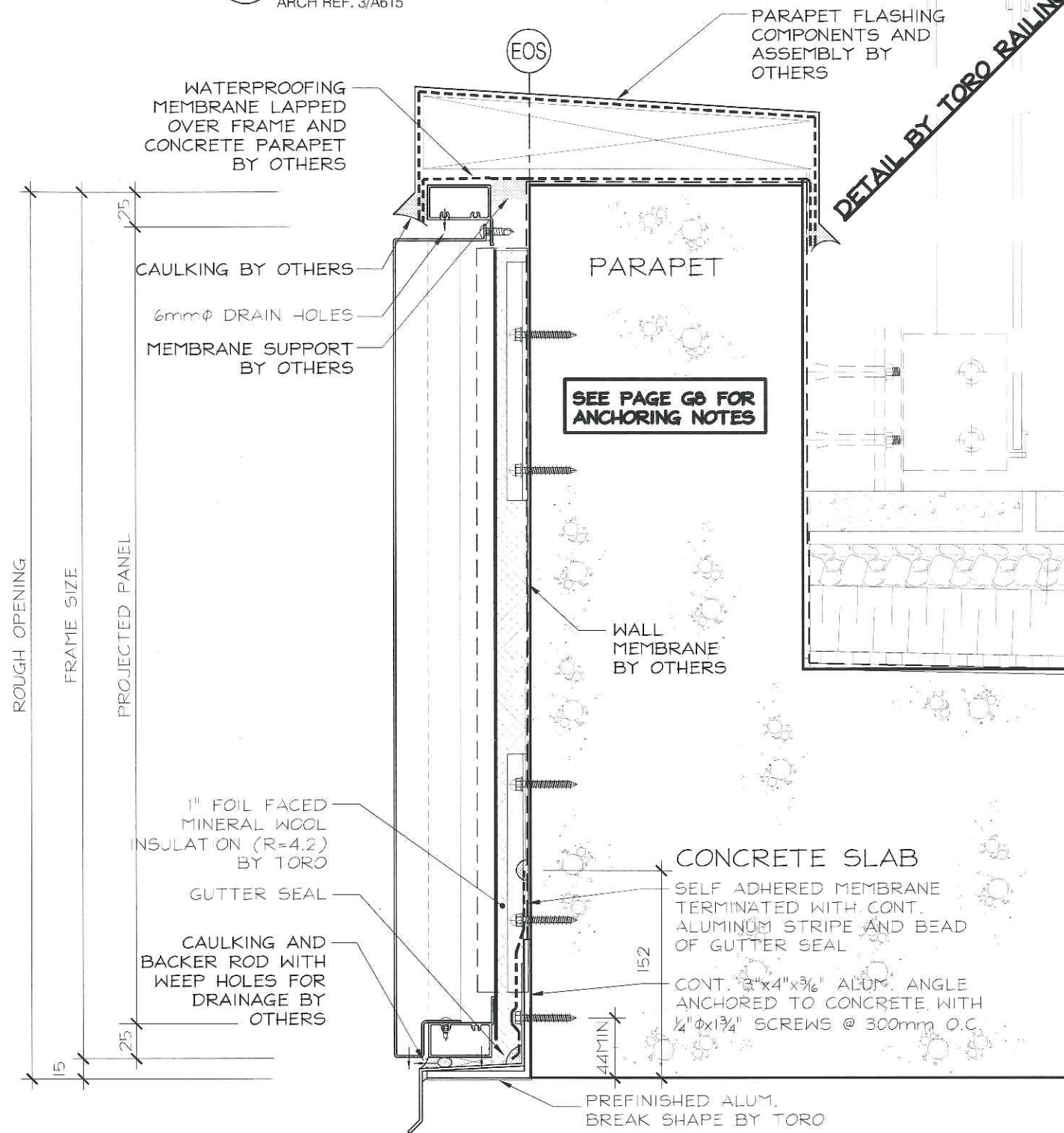


No.	REVISION	BY	DATE

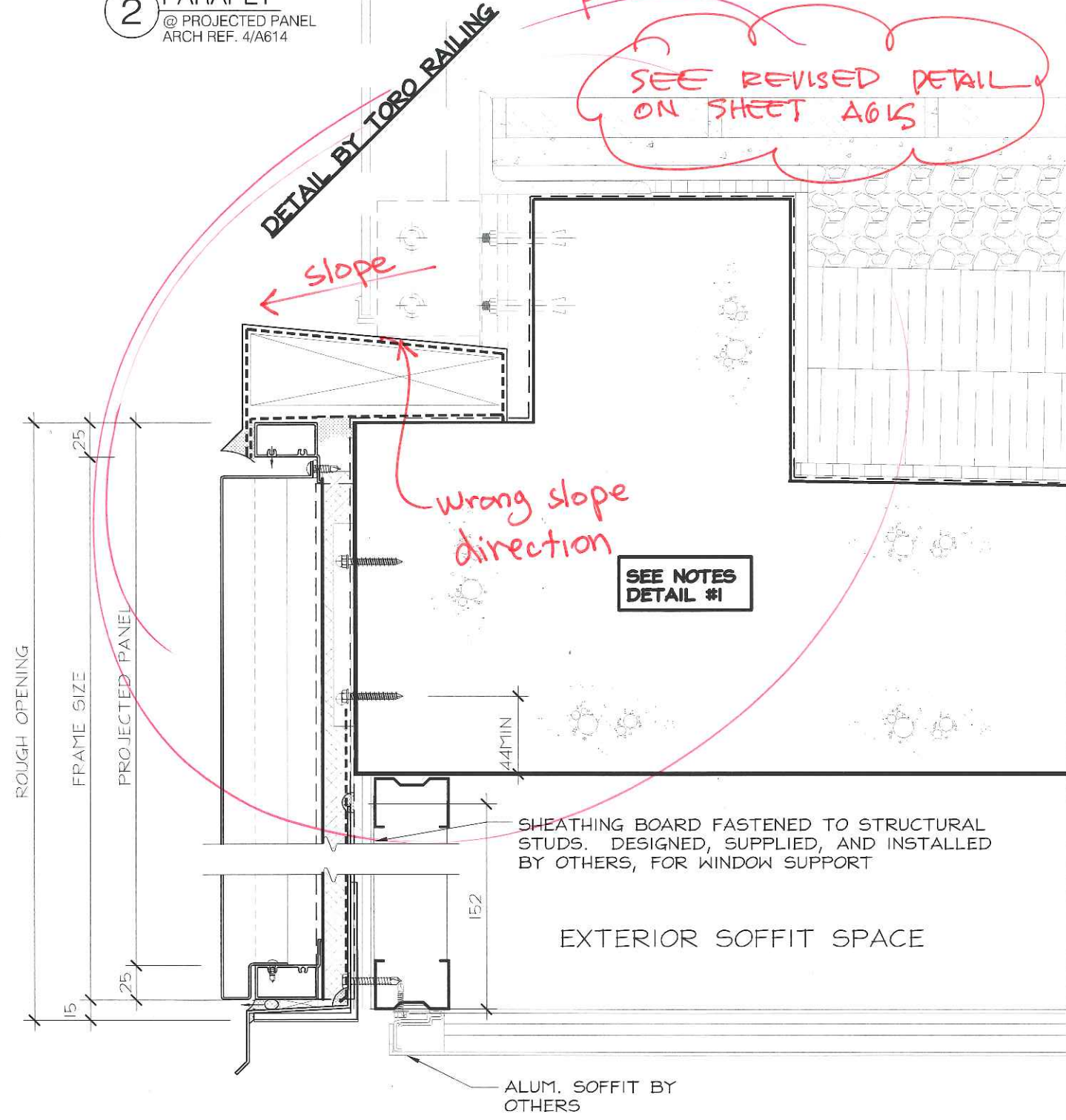
PROJECT NAME:	SQ ALEXANDRA PARK - BLOCK11
DRAWING TITLE:	SECTION DETAILS
ARCHITECT:	TEEPLE ARCHITECTS
CONTRACTOR:	TRIDEL
SCALE:	1:4
DRAWN BY:	S.C.
DATE:	MARCH 4, 2015

DRAWING No.:
S18

1 PARAPET
@ PROJECTED PANEL
ARCH REF. 3/A615



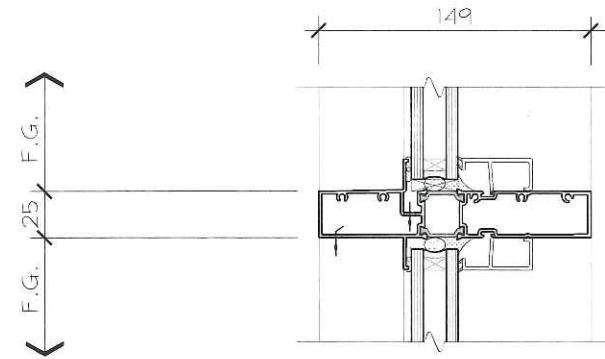
2 PARAPET
@ PROJECTED PANEL
ARCH REF. 4/A614



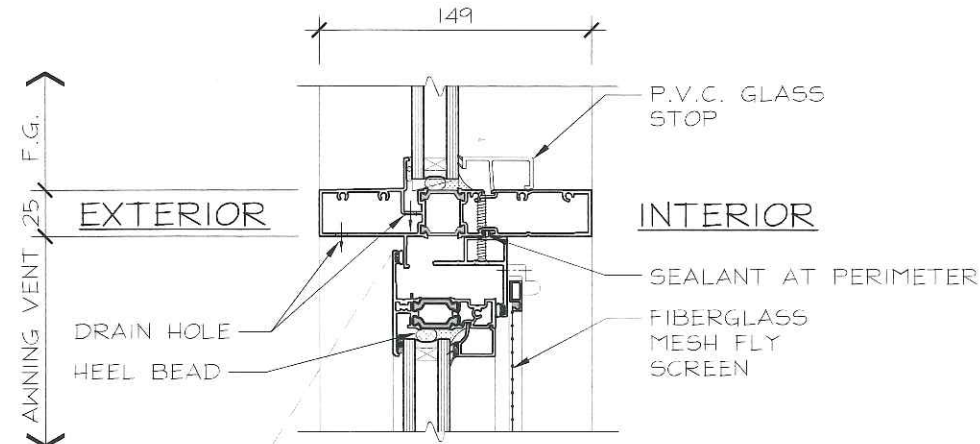
No.	REVISION	BY	DATE

PROJECT NAME:	SQ ALEXANDRA PARK - BLOCK11		
DRAWING TITLE:	SECTION DETAILS		
ARCHITECT:	TEEPLE ARCHITECTS		DRAWING No.:
CONTRACTOR:	TRIDEL		S19
SCALE:	1:4	DRAWN BY:	S.C.
DATE:	MARCH 4, 2015		

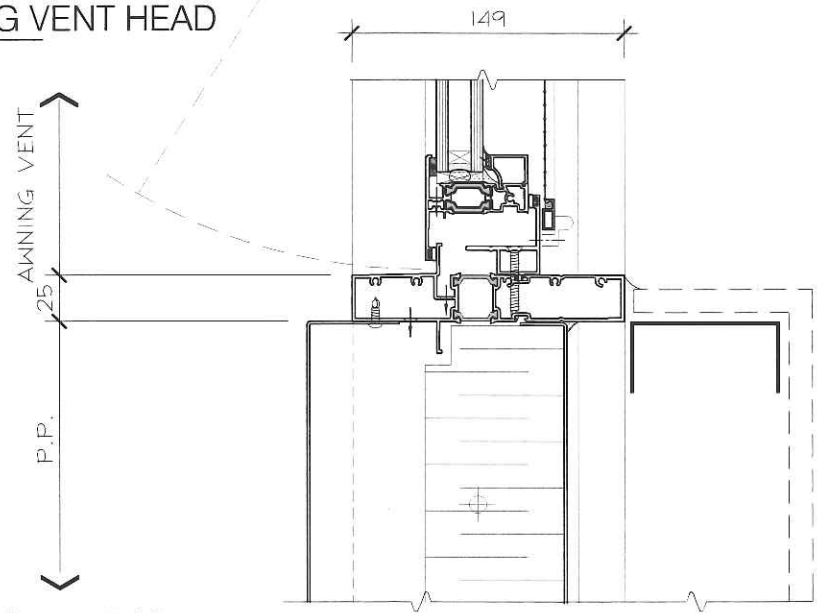
1 FIXED GLASS
@ F.G.



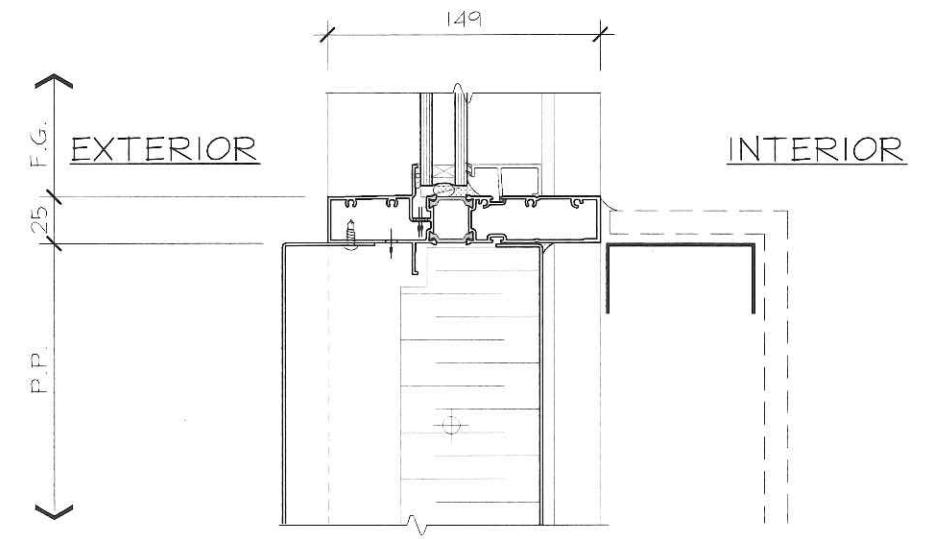
2 AWNING VENT HEAD
@ F.G.



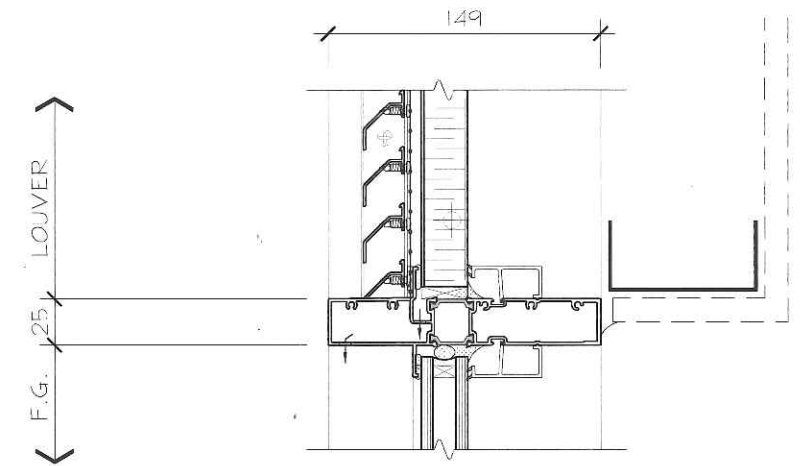
3 AWNING VENT SILL
@ FIXED GLASS



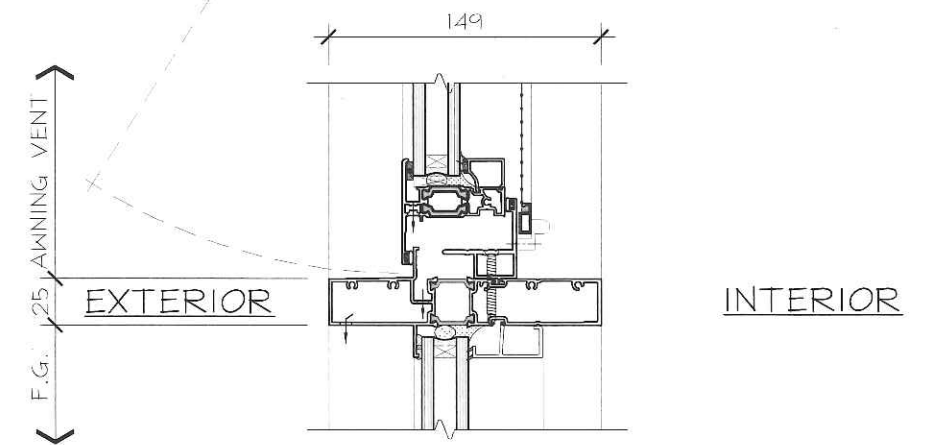
6 FIXED GLASS
@ PROJECTED PANEL



5 FIXED GLASS
@ LOUVER

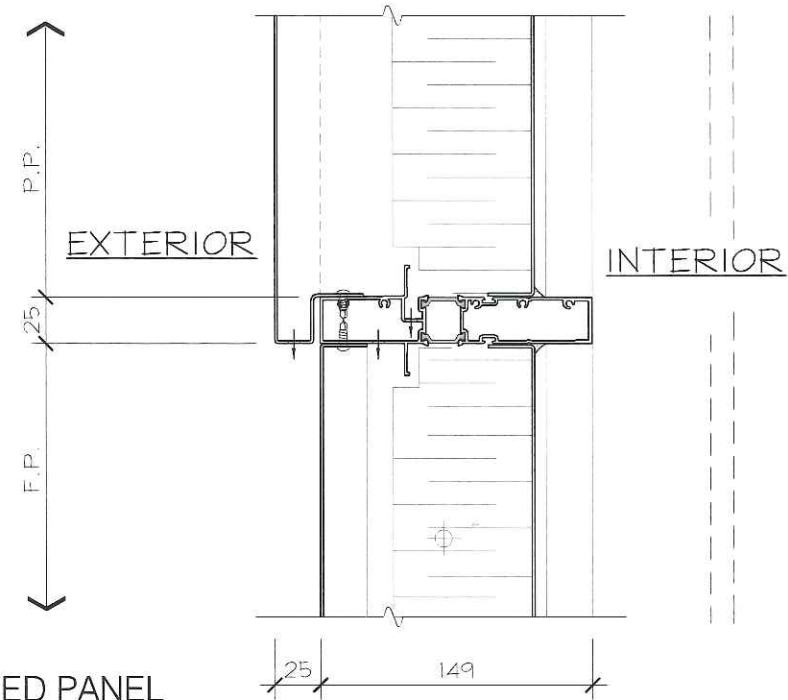


4 AWNING VENT SILL
@ FIXED GLASS

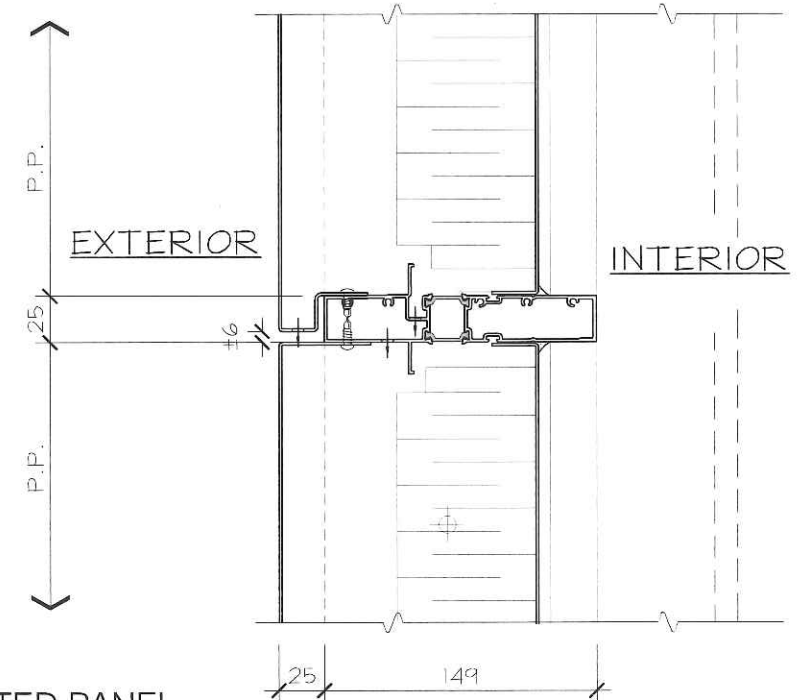


No	REVISION	BY	DATE

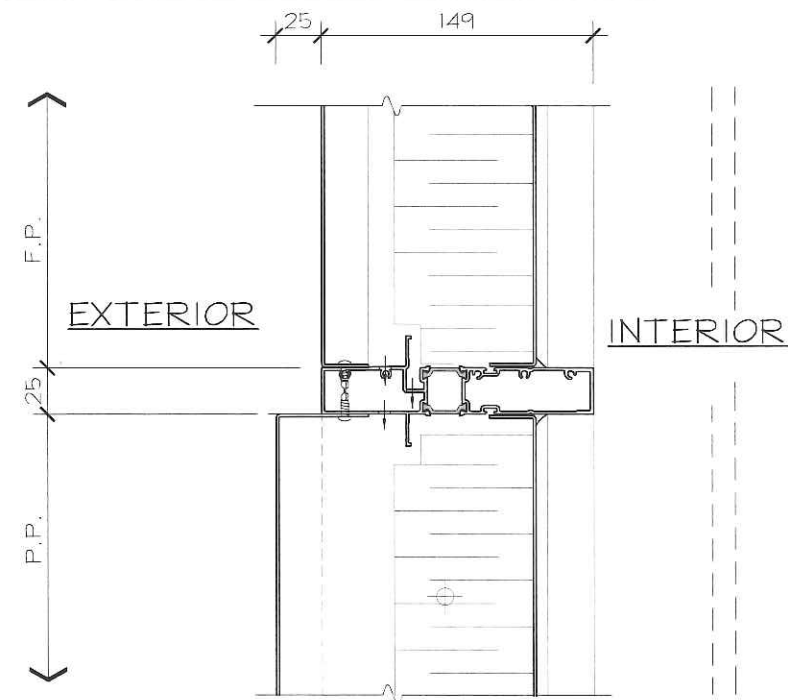
PROJECT NAME:	SQ ALEXANDRA PARK - BLOCK11		
DRAWING TITLE:	SECTION DETAILS		
ARCHITECT:	TEEPLE ARCHITECTS		DRAWING No.:
CONTRACTOR:	TRIDEL		S20
SCALE:	1:4	DRAWN BY:	S.C.
DATE:	MARCH 4, 2015		



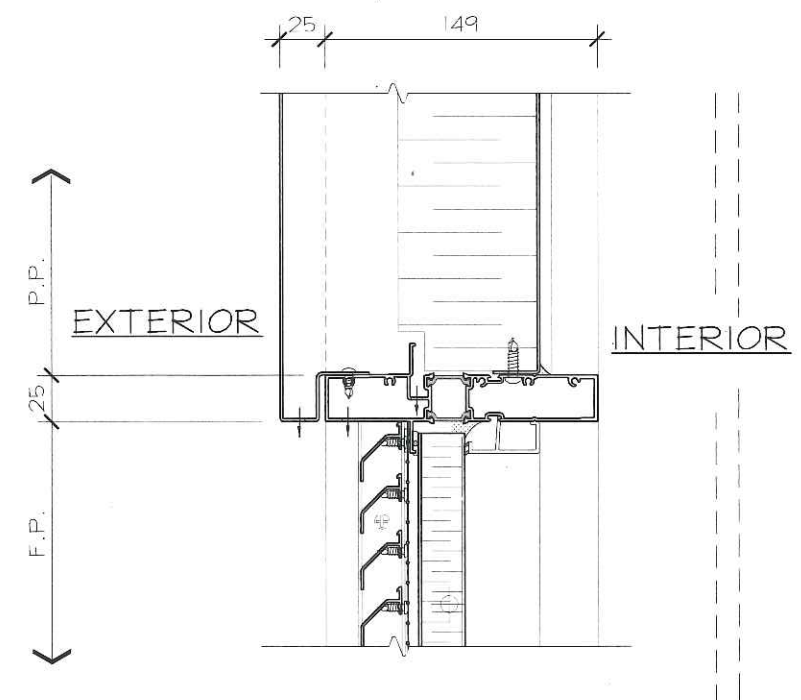
1 PROJECTED PANEL
@ FLUSH PANEL



4 PROJECTED PANEL
@ PROJECTED PANEL



2 FLUSH PANEL
@ PROJECTED PANEL



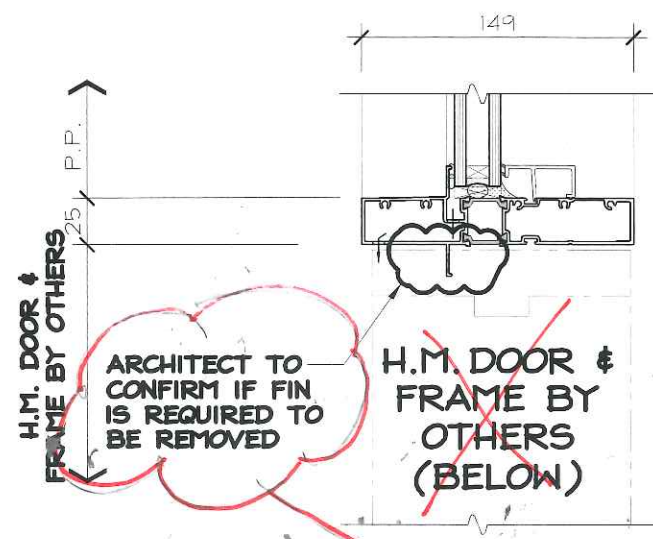
3 PROJECTED PANEL
@ LOUVER



No.	REVISION	BY	DATE

PROJECT NAME:	SQ ALEXANDRA PARK - BLOCK11
DRAWING TITLE:	SECTION DETAILS
ARCHITECT:	TEEPLE ARCHITECTS
CONTRACTOR:	TRIDEL
SCALE:	1:4
DRAWN BY:	S.C.
DATE:	MARCH 4, 2015

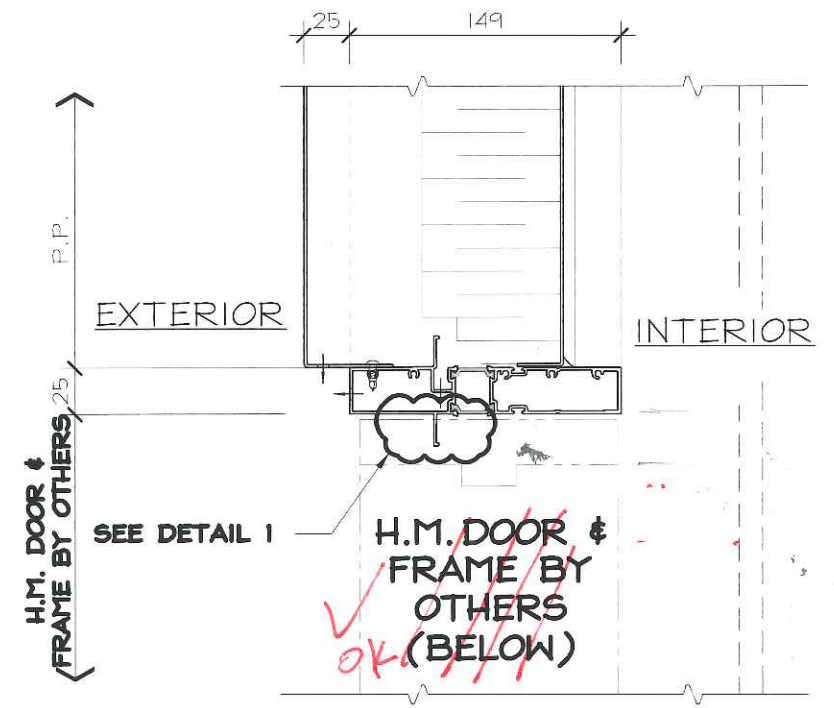
DRAWING No.:
S21



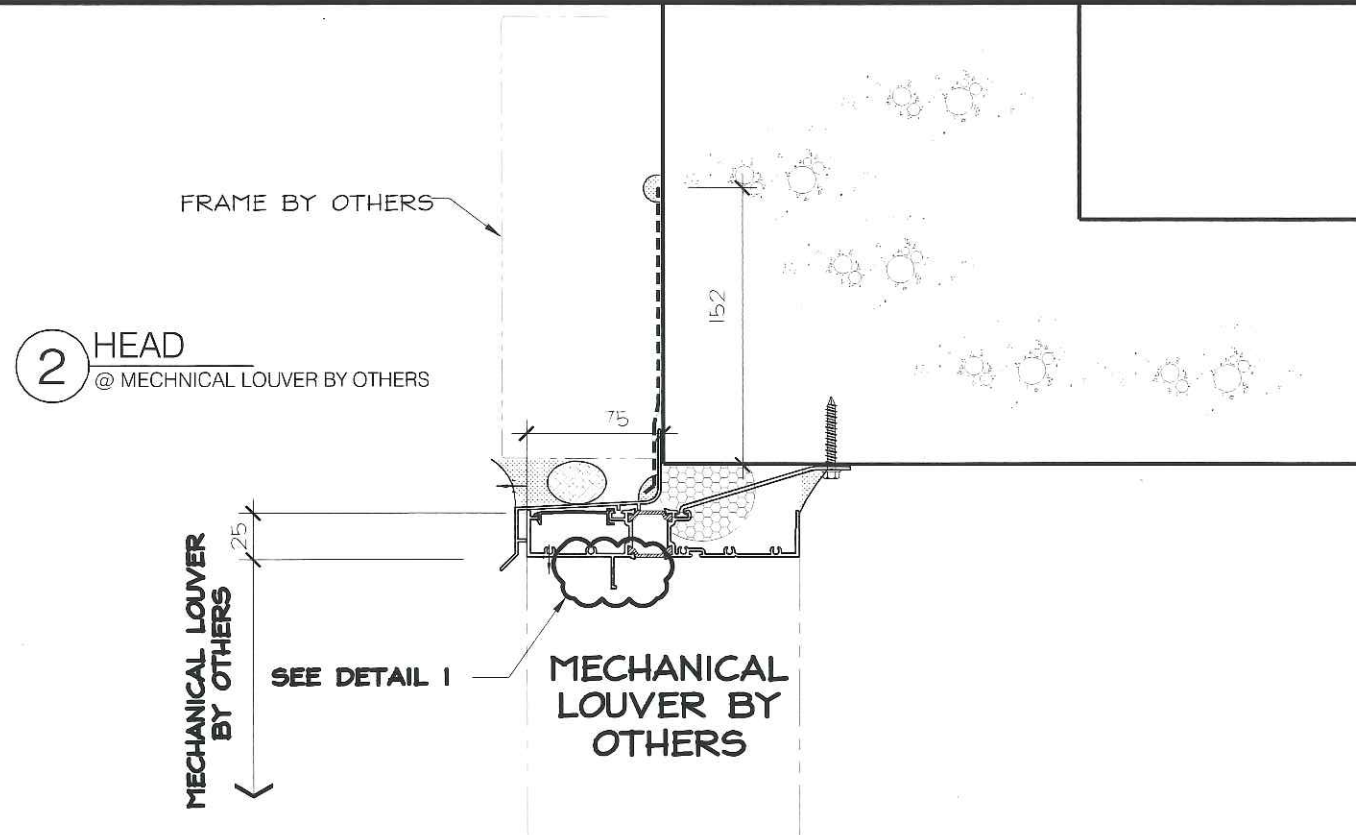
ALL DOORS IN WINDOW WALL REVISED TO ALUM. NO H.M.

56 AS PER DOOR SCHEDULE

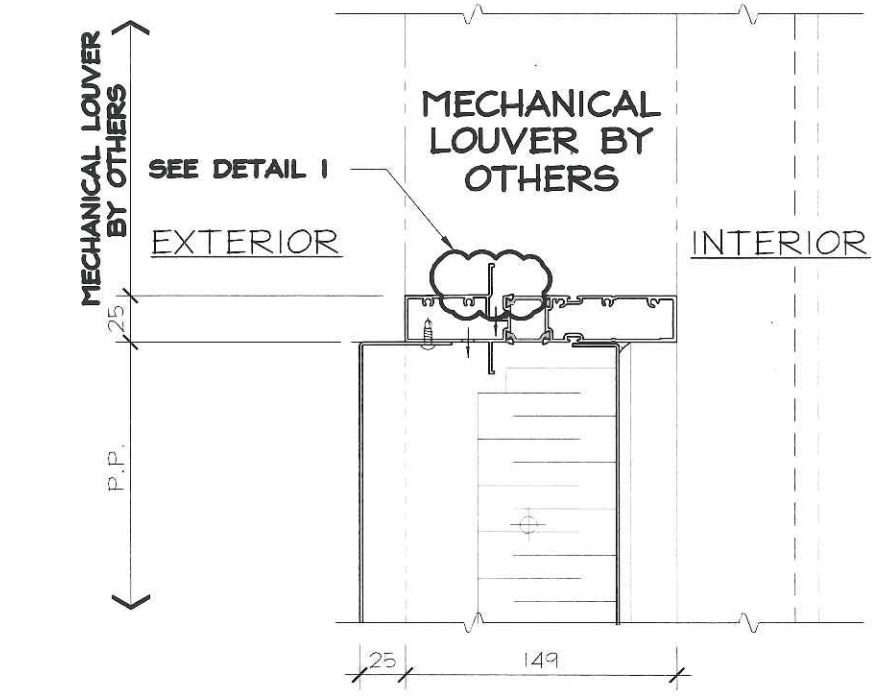
1 FIXED GLASS @ H.M. DOOR & FRAME BY OTHERS



4 PROJECTED PANEL @ H.M. DOOR & FRAME BY OTHERS



2 HEAD @ MECHANICAL LOUVER BY OTHERS



3 PROJECTED PANEL @ MECHANICAL LOUVER BY OTHERS

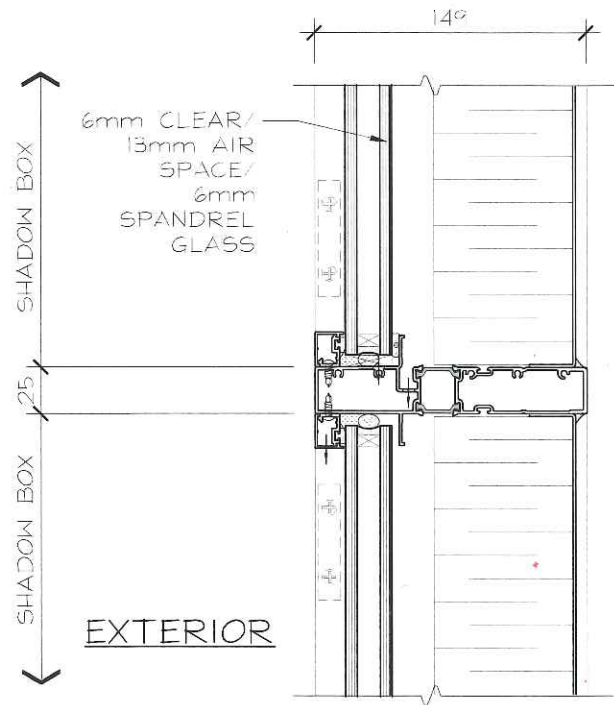


No.	REVISION	BY	DATE

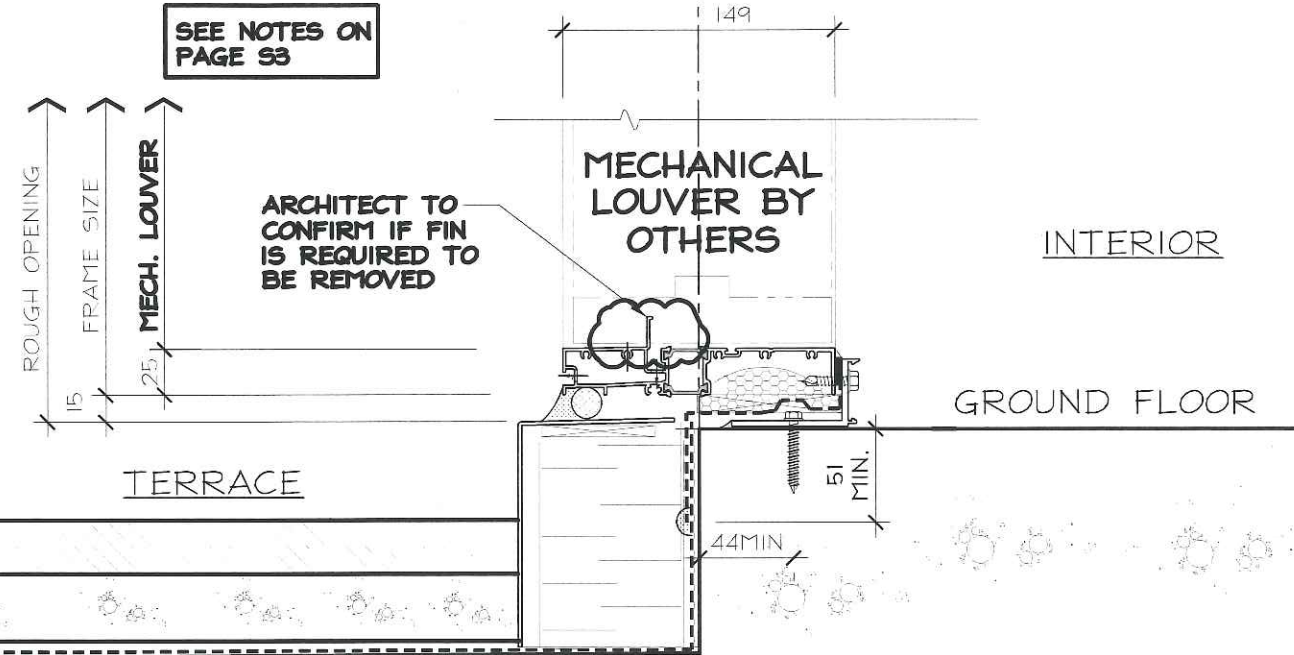
PROJECT NAME:	SQ ALEXANDRA PARK - BLOCK11
DRAWING TITLE:	SECTION DETAILS
ARCHITECT:	TEEPLE ARCHITECTS
CONTRACTOR:	TRIDEL
SCALE:	1:4
DRAWN BY:	S.C.
DATE:	MARCH 4, 2015

DRAWING No.: S22

1 SHADOW BOX
@ SHADOW BOX

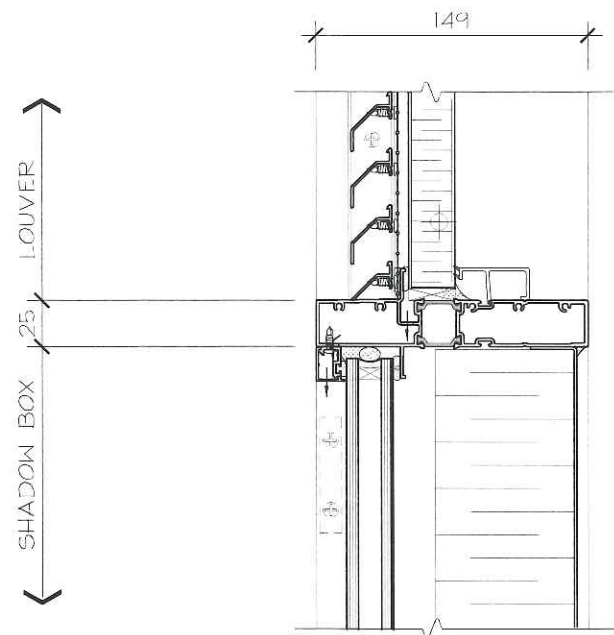


4 TERRACE
@ MECHANICAL LOUVER BY OTHERS
ARCH REF: 5/A609



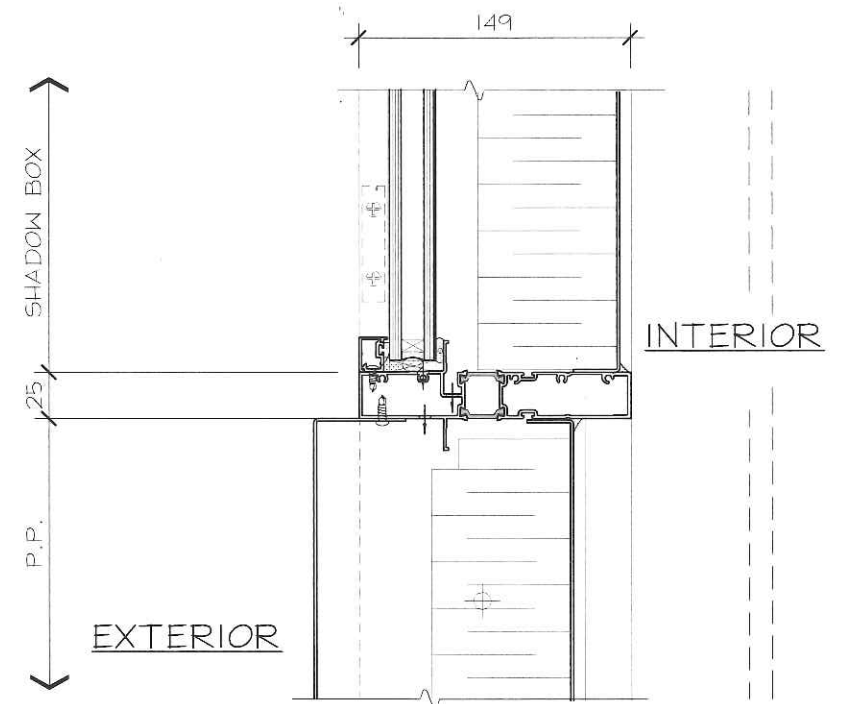
2 SHADOW BOX
@ LOUVER

SEE NOTES ON
DETAIL #1



3 SHADOW BOX
@ PROJECTED PANEL

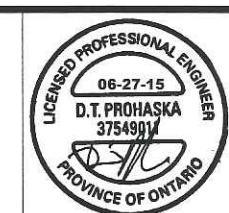
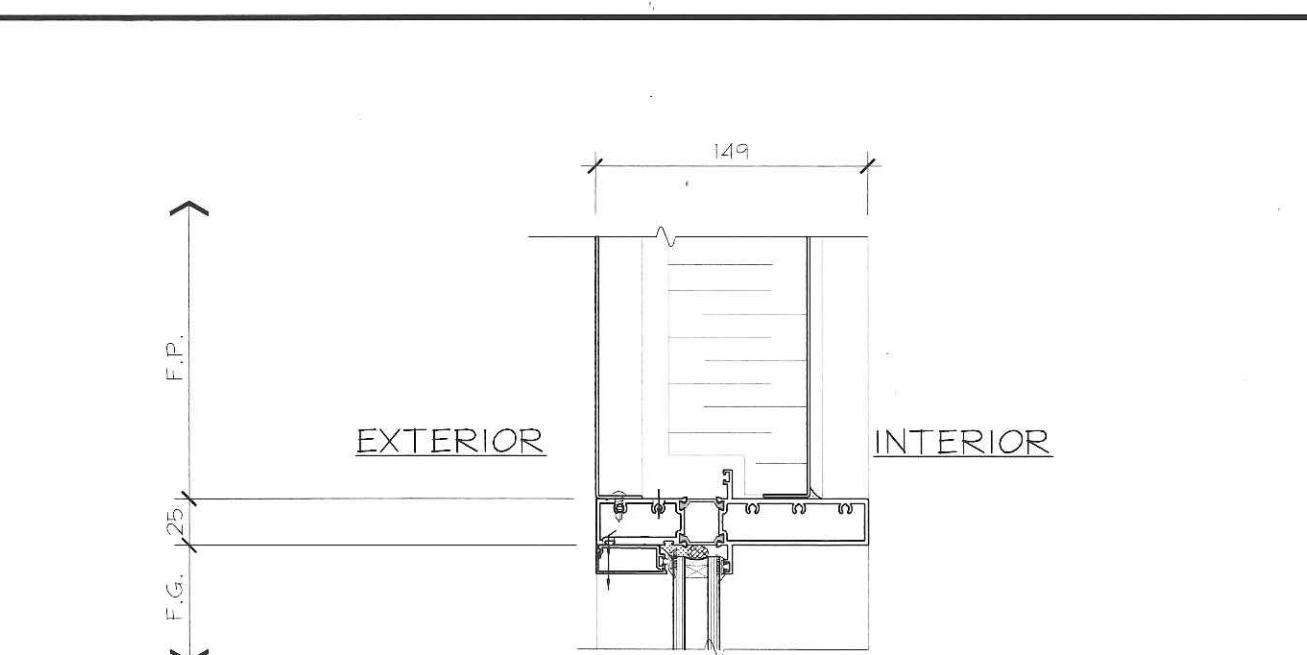
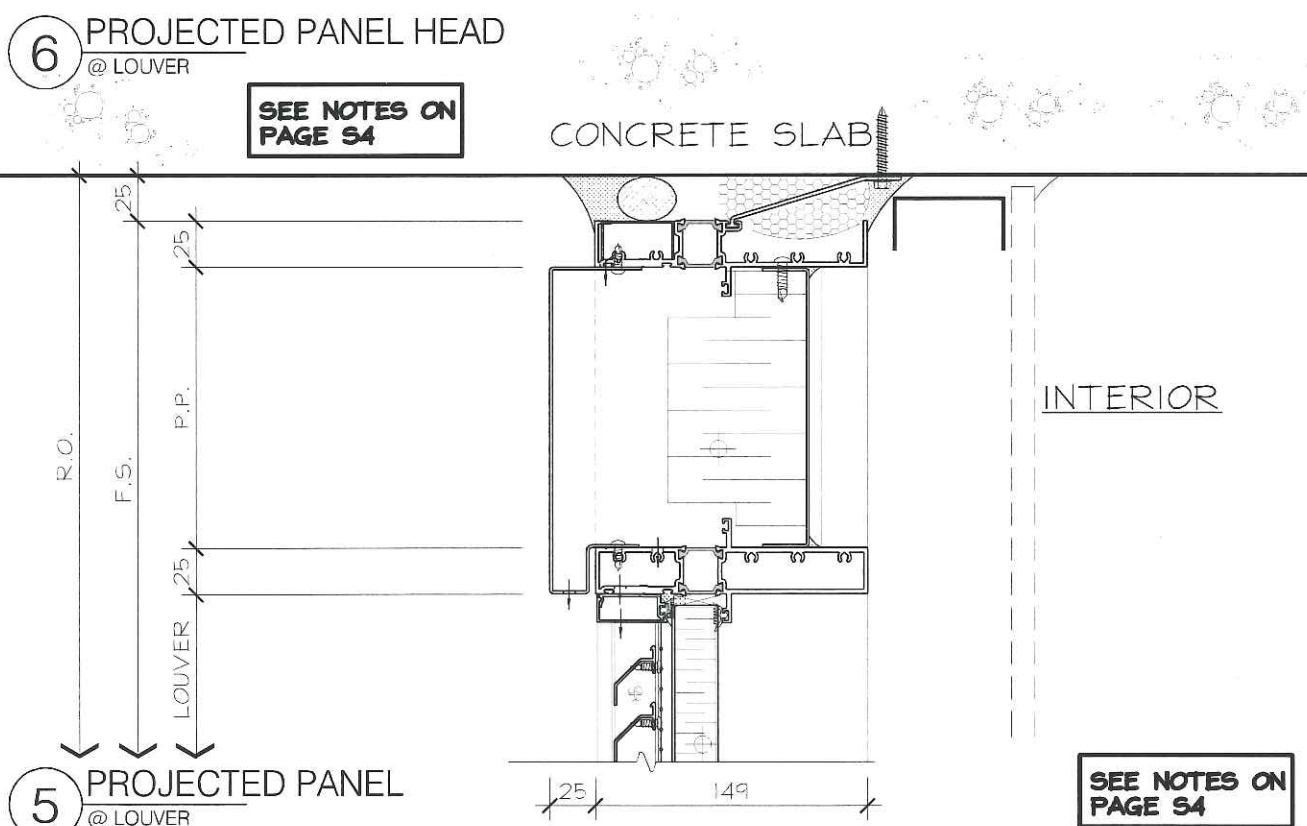
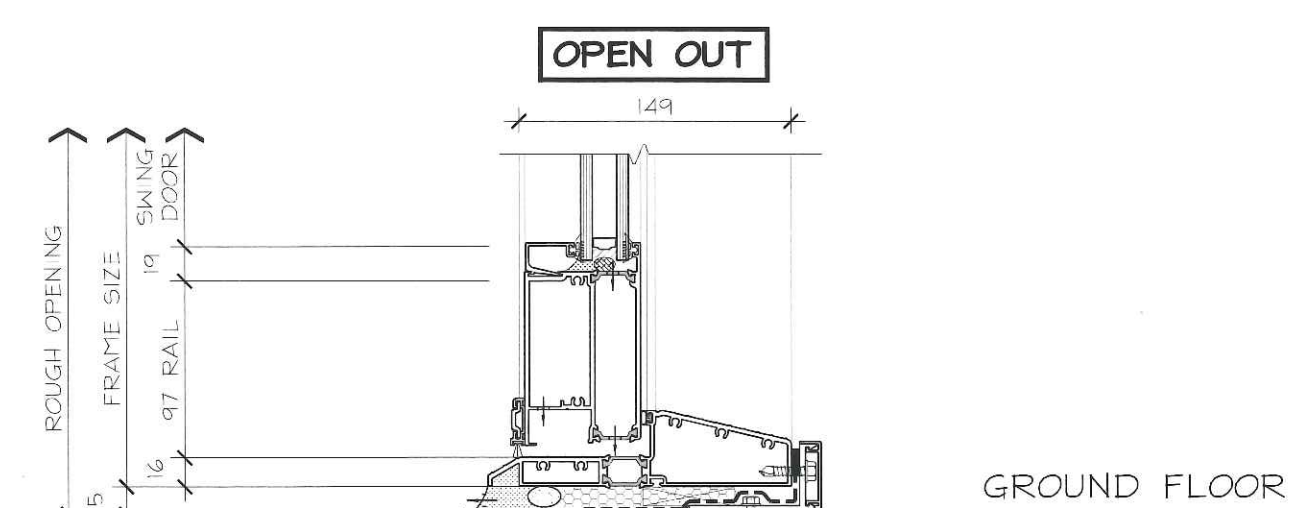
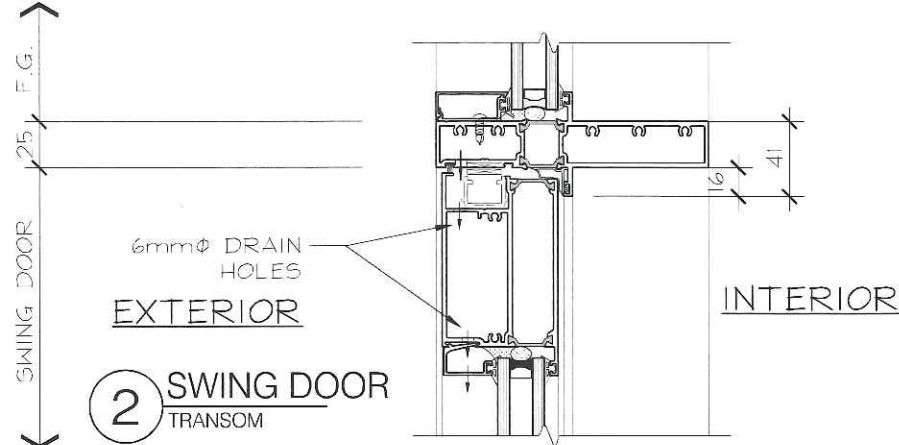
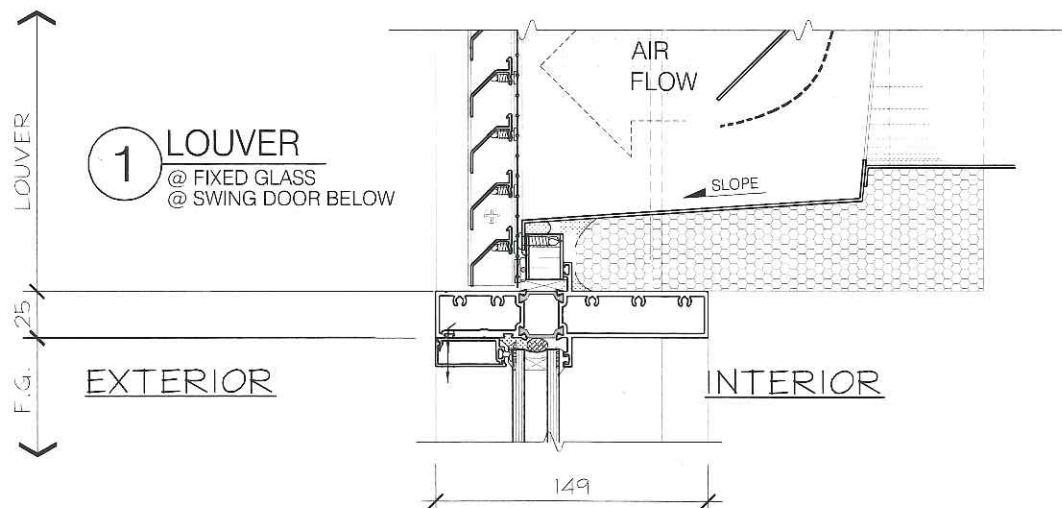
SEE NOTES ON
DETAIL #1



No.	REVISION	BY	DATE

PROJECT NAME:	SQ ALEXANDRA PARK - BLOCK11		
DRAWING TITLE:	SECTION DETAILS		
ARCHITECT:	TEEPLE ARCHITECTS		
CONTRACTOR:	TRIDEL		
SCALE:	1:4	DRAWN BY:	S.C.
DATE:	MARCH 4, 2015		

DRAWING No.:
S23

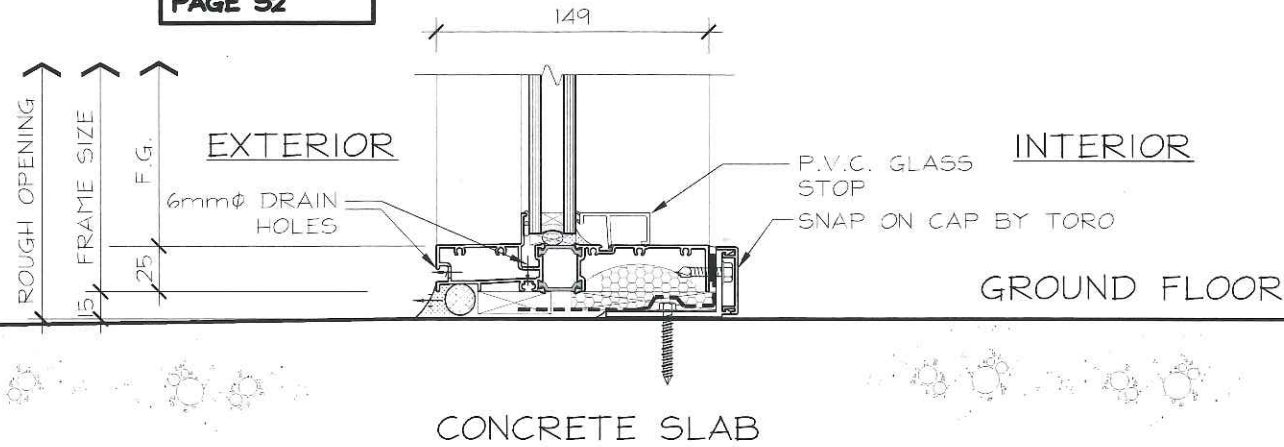


No.	REVISION	BY	DATE

PROJECT NAME:	SQ ALEXANDRA PARK - BLOCK11		
DRAWING TITLE:	SECTION DETAILS		
ARCHITECT:	TEEPLE ARCHITECTS		DRAWING No.:
CONTRACTOR:	TRIDEL		S24
SCALE:	1:4	DRAWN BY:	S.C.
DATE:	MARCH 4, 2015		

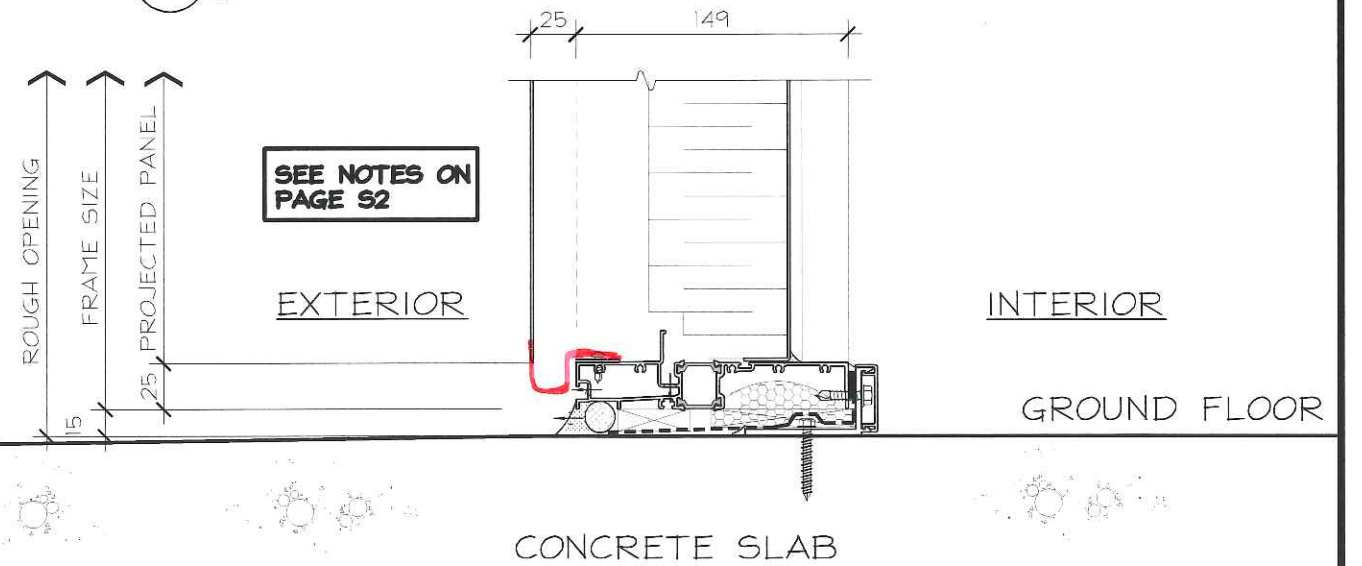
1 F.G SILL
@ CONCRETE CURB

SEE NOTES ON
PAGE S2



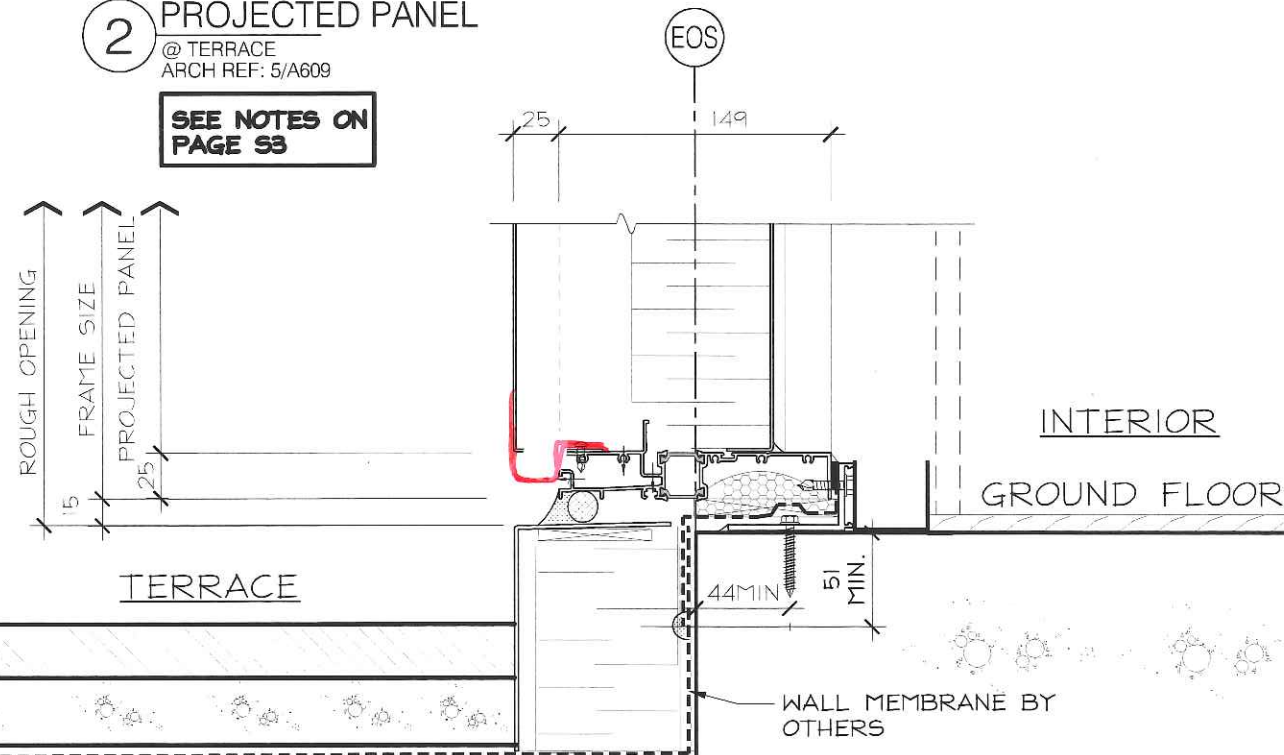
4 PROJECTED PANEL SILL
@ CONCRETE SLAB

SEE NOTES ON
PAGE S2



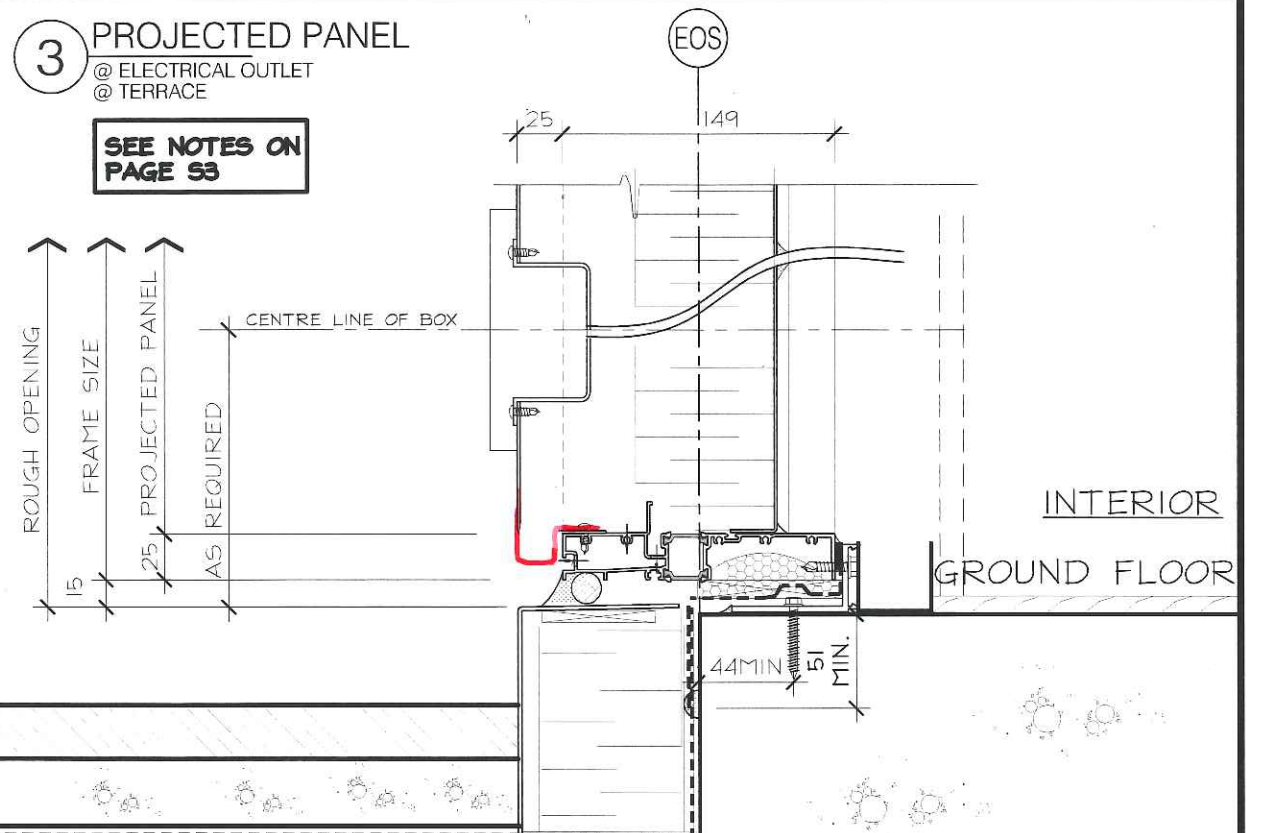
2 PROJECTED PANEL
@ TERRACE
ARCH REF: 5/A609

SEE NOTES ON
PAGE S3



3 PROJECTED PANEL
@ ELECTRICAL OUTLET
@ TERRACE

SEE NOTES ON
PAGE S3



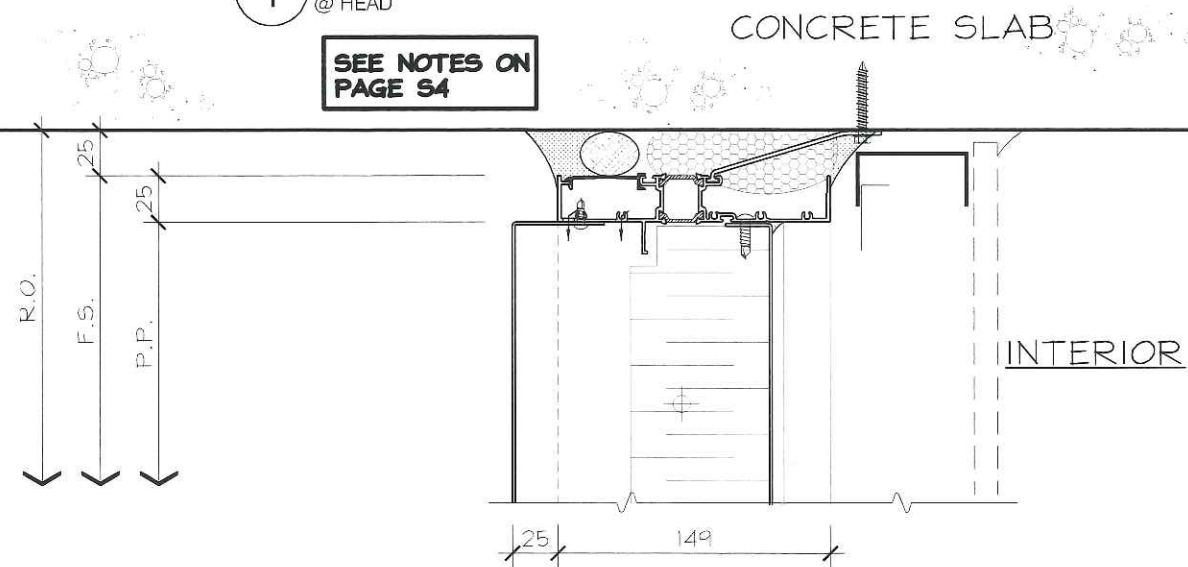
No.	REVISION	BY	DATE

PROJECT NAME:	SQ ALEXANDRA PARK - BLOCK11		
DRAWING TITLE:	SECTION DETAILS		
ARCHITECT:	TEEPLE ARCHITECTS		
CONTRACTOR:	TRIDEL		
SCALE:	1:4	DRAWN BY:	S.C.
DATE:	MARCH 4, 2015		

DRAWING No.:
S25

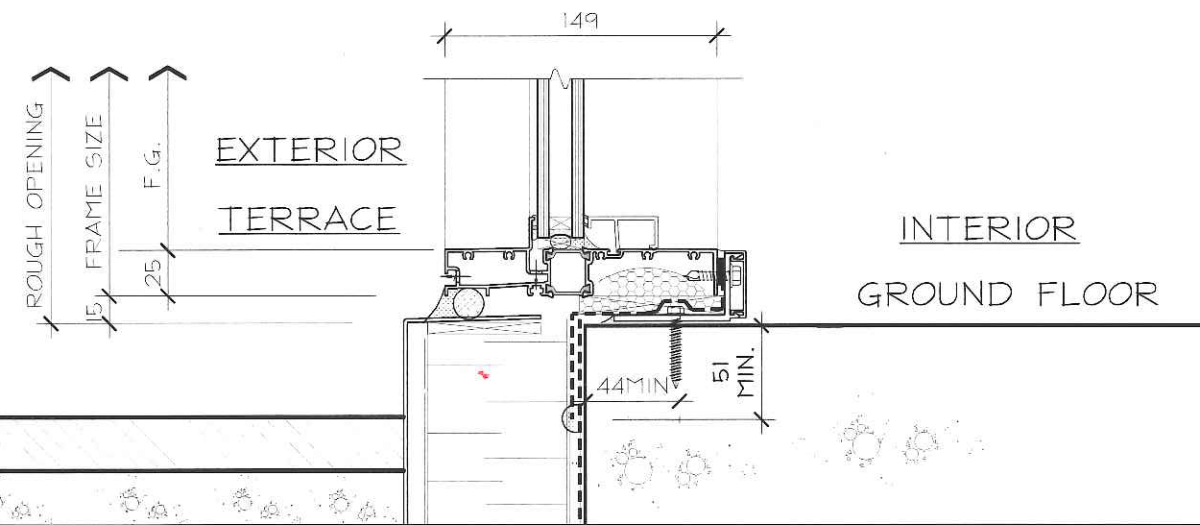
1 PROJECTED PANEL
@ HEAD

SEE NOTES ON
PAGE 54



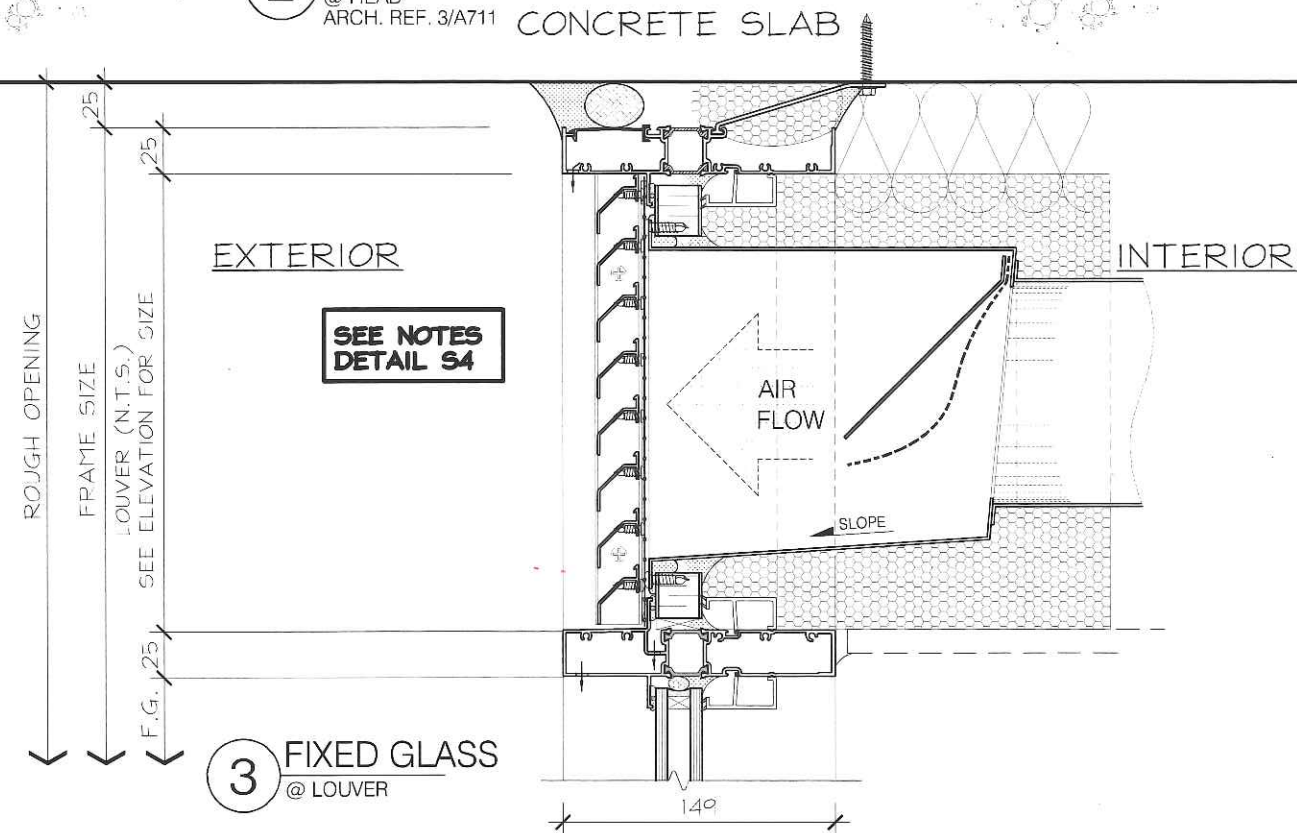
5 F.G SILL
@ TERRACE

SEE NOTES ON
PAGE 53



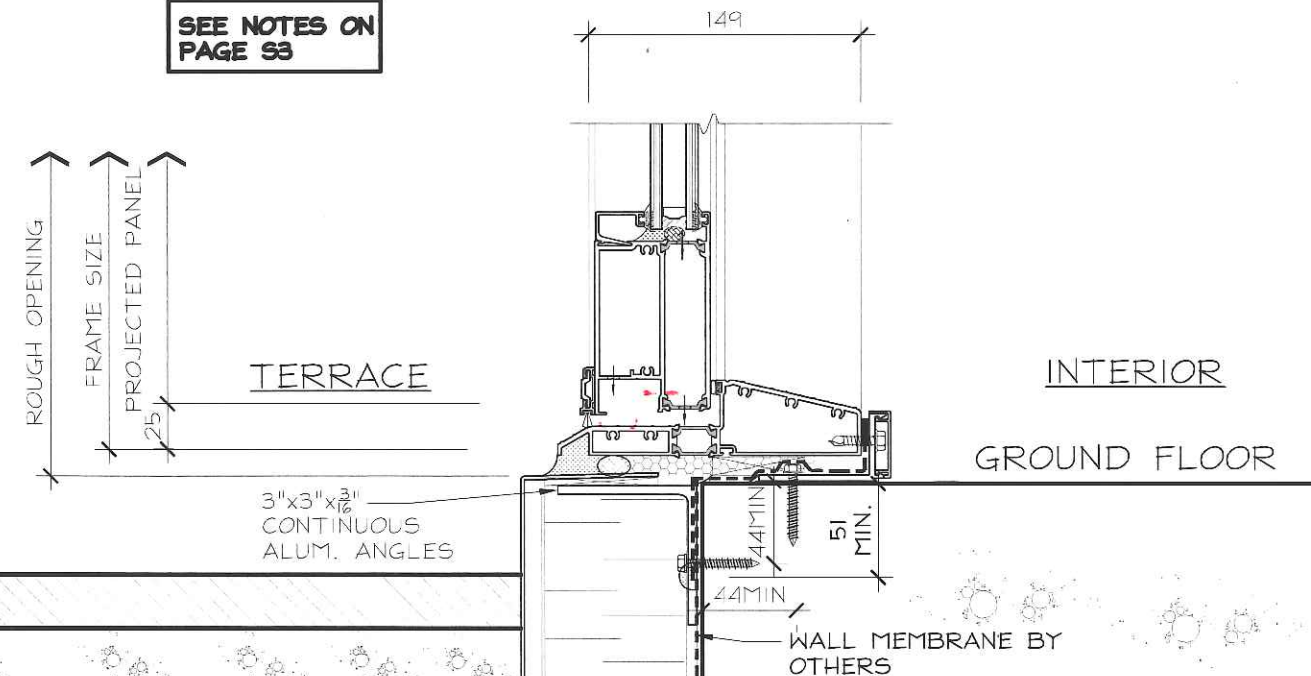
2 LOUVER
@ HEAD
ARCH. REF. 3/A711

SEE NOTES
DETAIL 54



4 SWING DOOR SILL
@ TERRACE
ARCH REF: 5/A609

SEE NOTES ON
PAGE 53



3 FIXED GLASS
@ LOUVER

TORO ALUMINUM
COMMERCIAL INDUSTRIAL RESIDENTIAL
330 APPLEWOOD CRESCENT TEL: (905) 738-5220
CONCORD, ON, CANADA FAX: (905) 738-5481
L4K 4V2 WWW.TOROALUMINUM.COM

LICENSED PROFESSIONAL ENGINEER
06-27-15
D.T. PROHASKA
3754901
PROVINCE OF ONTARIO

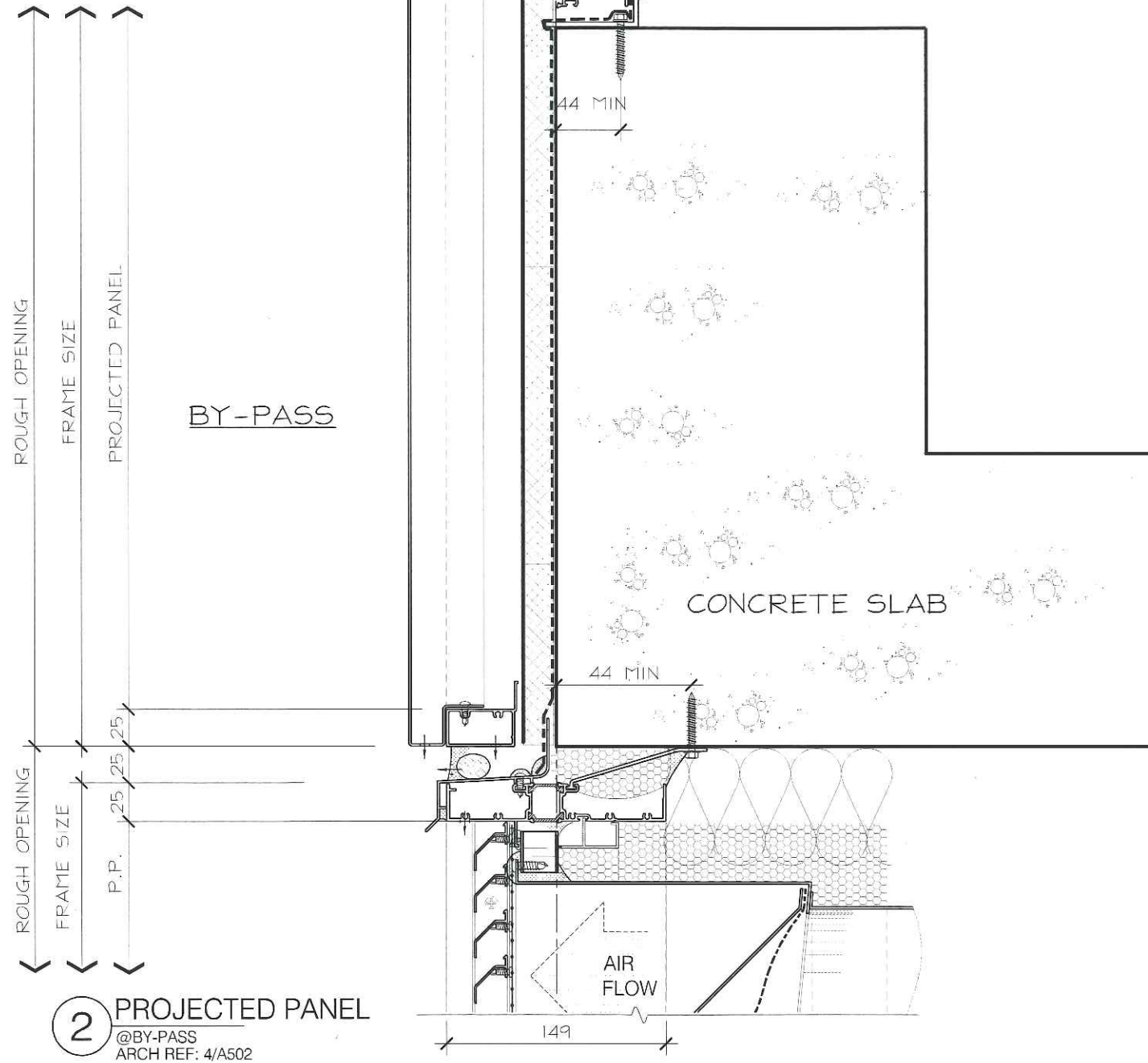
No.	REVISION	BY	DATE

PROJECT NAME:	SQ ALEXANDRA PARK - BLOCK11		
DRAWING TITLE:	SECTION DETAILS		
ARCHITECT:	TEEPLE ARCHITECTS		DRAWING No.:
CONTRACTOR:	TRIDEL		S26
SCALE:	1:4	DRAWN BY:	S.C.
DATE:	MARCH 4, 2015		

1 PROJECTED PANEL

@BY-PASS
@CONCRETE CURB
ARCH REF: 4/A502

SEE NOTES ON
PAGE S1



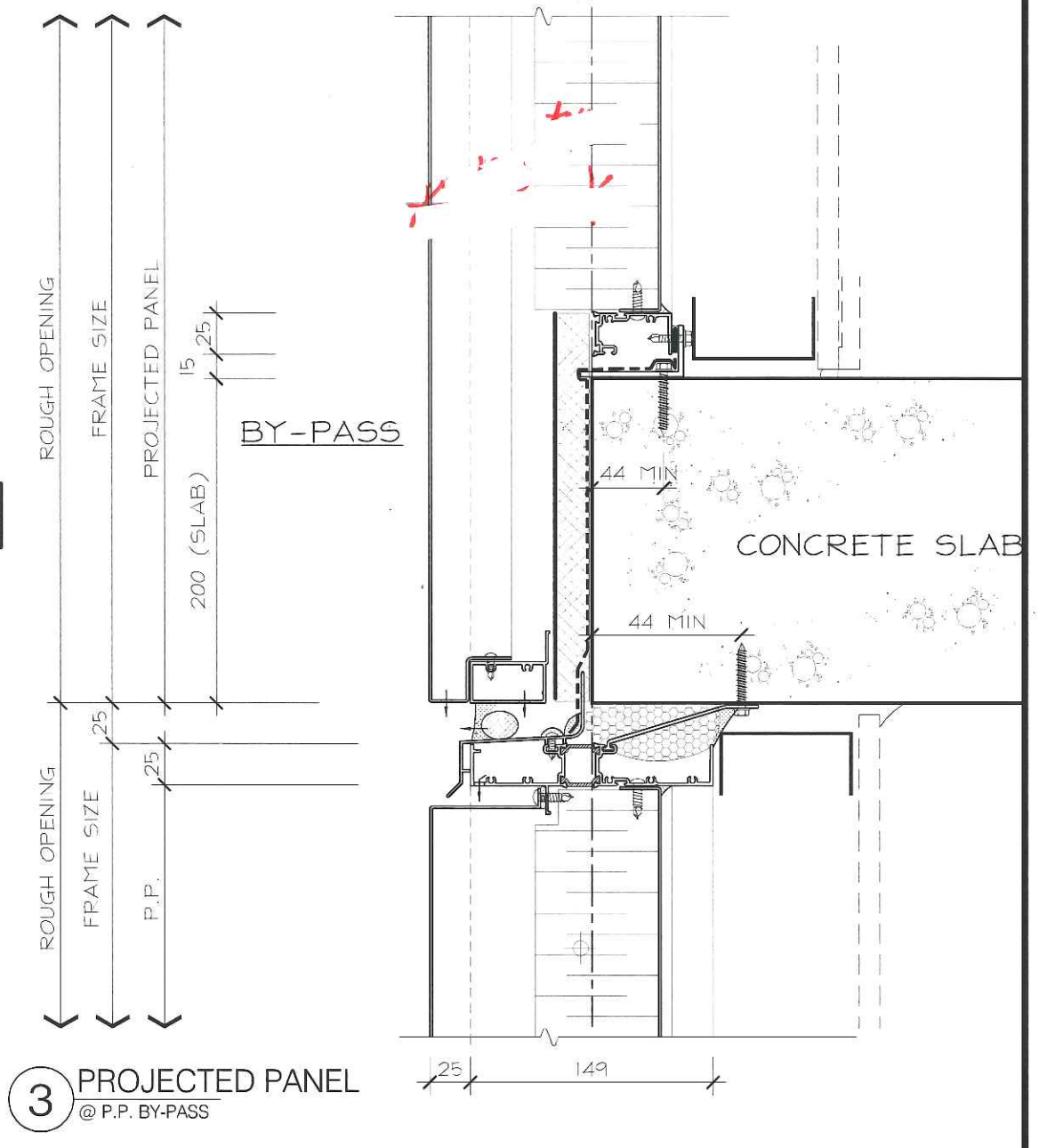
2 PROJECTED PANEL

@BY-PASS
ARCH REF: 4/A502

4 PROJECTED PANEL

@ P.P. BY-PASS

SEE NOTES ON
PAGE S1



3 PROJECTED PANEL

@ P.P. BY-PASS

TORO ALUMINUM
COMMERCIAL INDUSTRIAL RESIDENTIAL
330 APPLEWOOD CRESCENT TEL: (905) 738-5220
CONCORD, ON, CANADA FAX: (905) 738-5481
L4K 4V2 WWW.TOROALUMINUM.COM

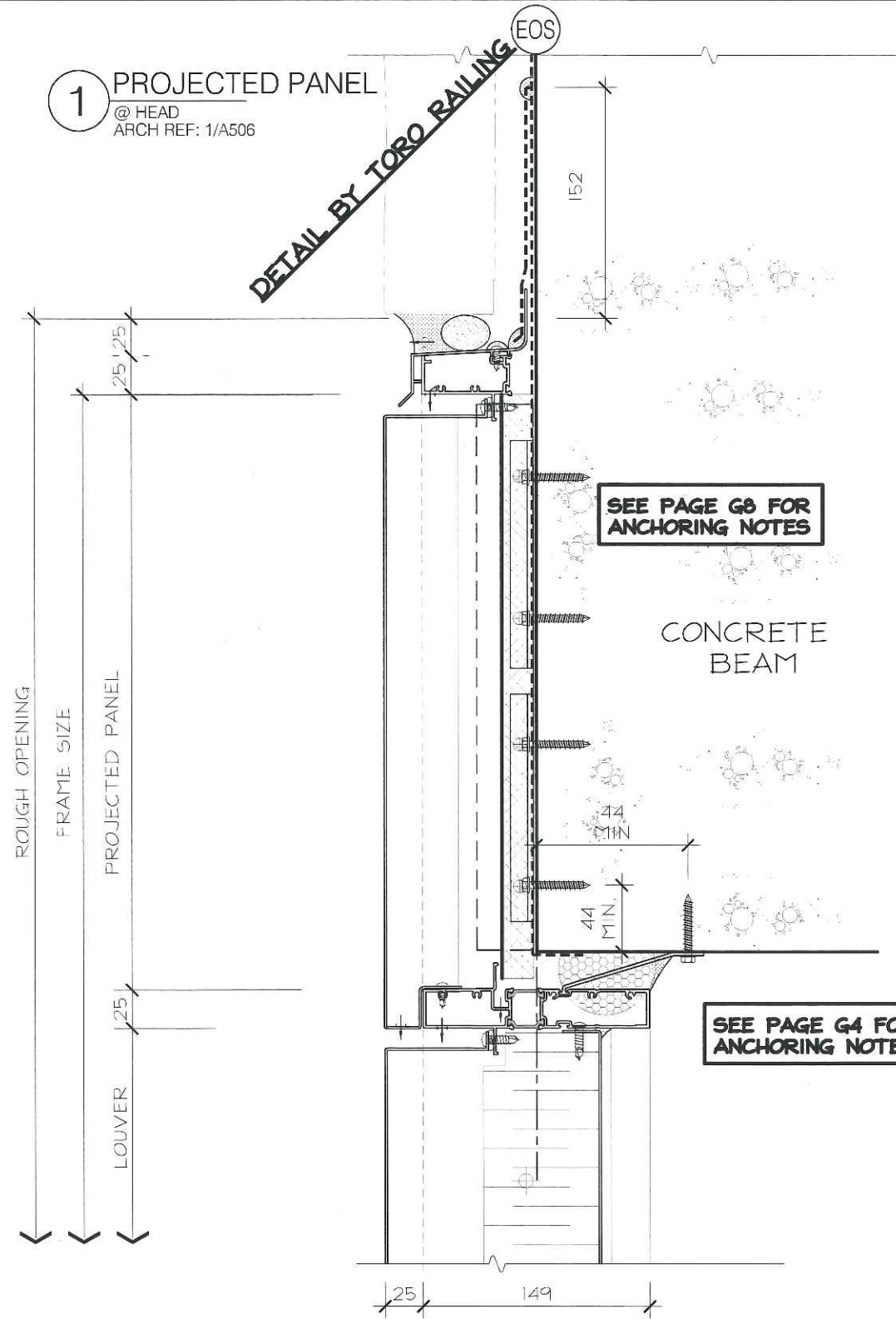
LICENSED PROFESSIONAL ENGINEER
06-27-15
D.T. PROHASKA
37549917
PROVINCE OF ONTARIO

No.	REVISION	BY	DATE

PROJECT NAME:	SQ ALEXANDRA PARK - BLOCK11
DRAWING TITLE:	SECTION DETAILS
ARCHITECT:	TEEPLE ARCHITECTS
CONTRACTOR:	TRIDEL
SCALE:	1:4
DRAWN BY:	S.C.
DATE:	MARCH 4, 2015

DRAWING No.:
S27

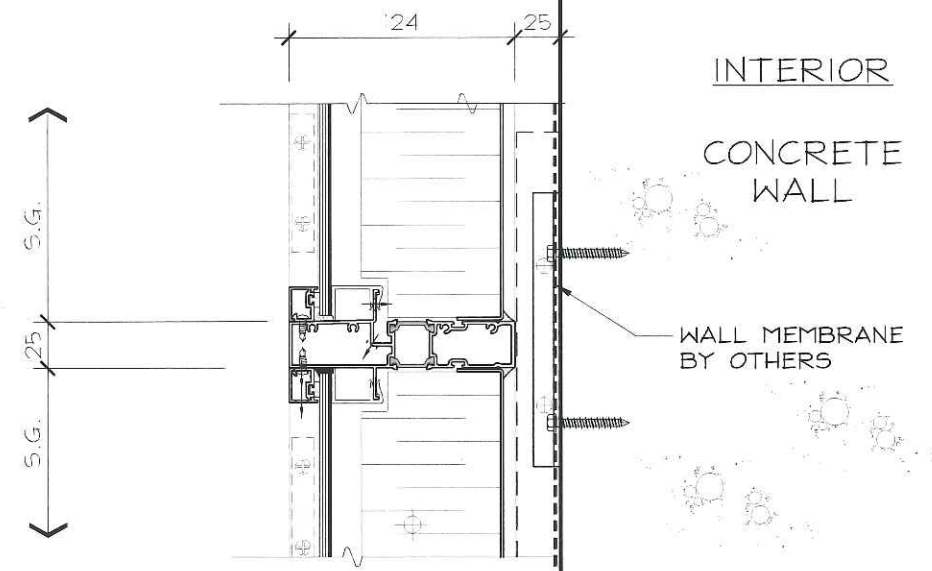
1 PROJECTED PANEL
 @ HEAD
 ARCH REF: 1/A506



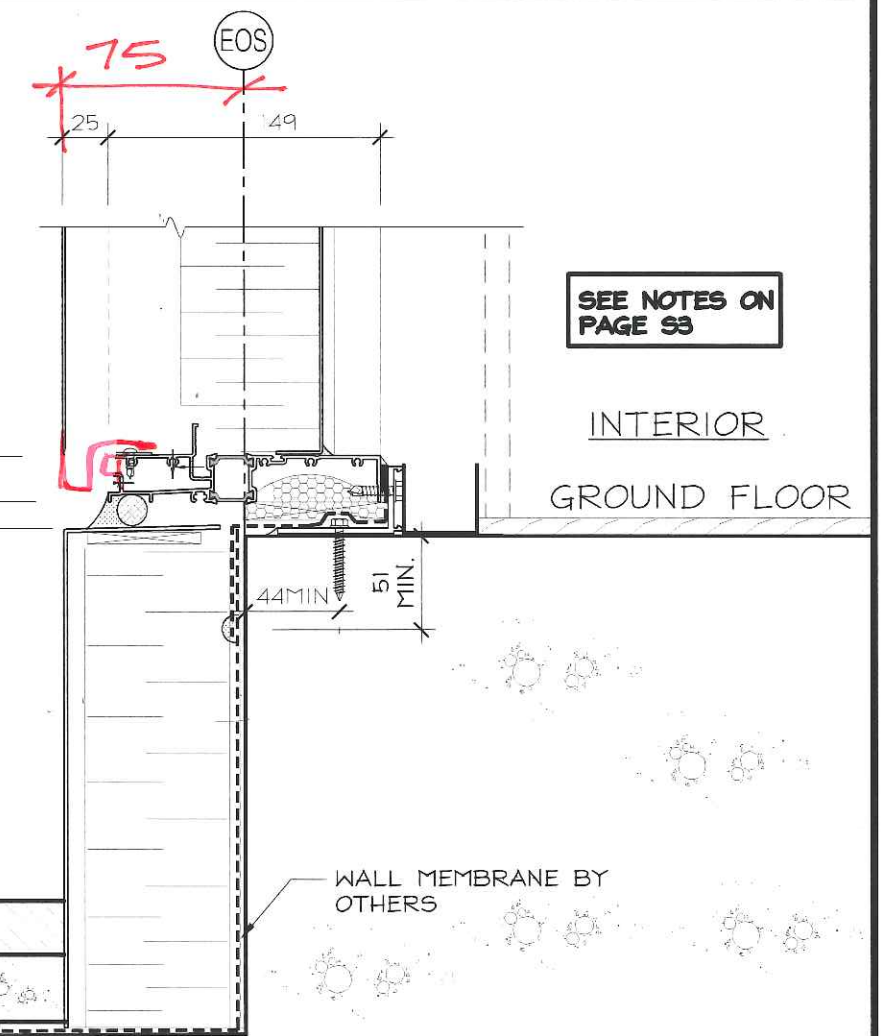
2 PROJECTED PANEL
 @ PROJECTED PANEL
 ARCH REF: 5/A504

4 SPANDREL GLASS
 @ SPANDREL GLASS
 @ CONCRETE WALL

SEE PAGE G7 FOR ANCHORING NOTES



3 PROJECTED PANEL
 @ TERRACE
 ARCH REF: 5/A609



TORO ALUMINUM
 COMMERCIAL INDUSTRIAL RESIDENTIAL
 330 APPLEWOOD CRESCENT TEL: (905) 738-5220
 CONCORD, ON, CANADA FAX: (905) 738-5481
 L4K 4V2 WWW.TOROALUMINUM.COM

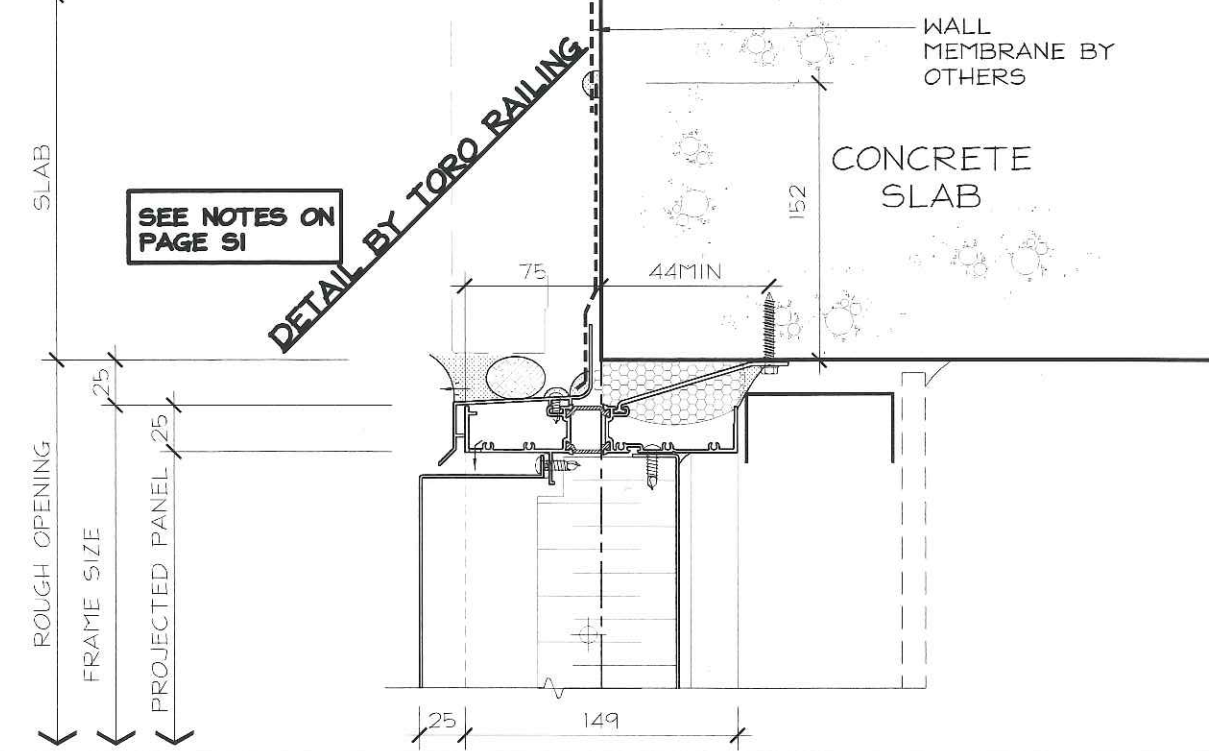
LICENSED PROFESSIONAL ENGINEER
 06-27-15
 D.T. PROHASKA
 3754991
 PROVINCE OF ONTARIO

No.	REVISION	BY	DATE

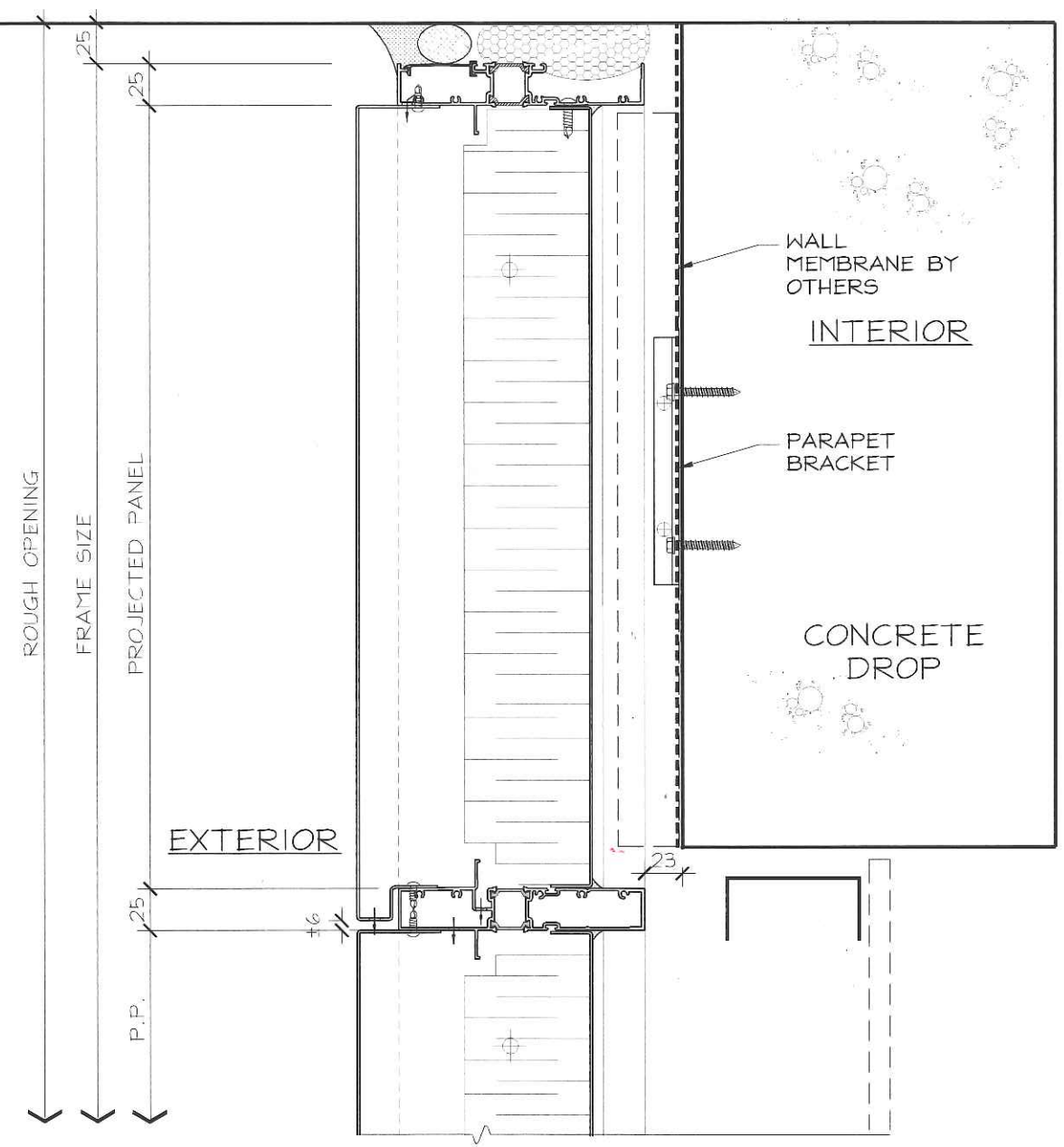
PROJECT NAME:	SQ ALEXANDRA PARK - BLOCK11
DRAWING TITLE:	SECTION DETAILS
ARCHITECT:	TEEPLE ARCHITECTS
CONTRACTOR:	TRIDEL
SCALE:	1:4
DRAWN BY:	S.C.
DATE:	MARCH 4, 2015

DRAWING No.:
S28

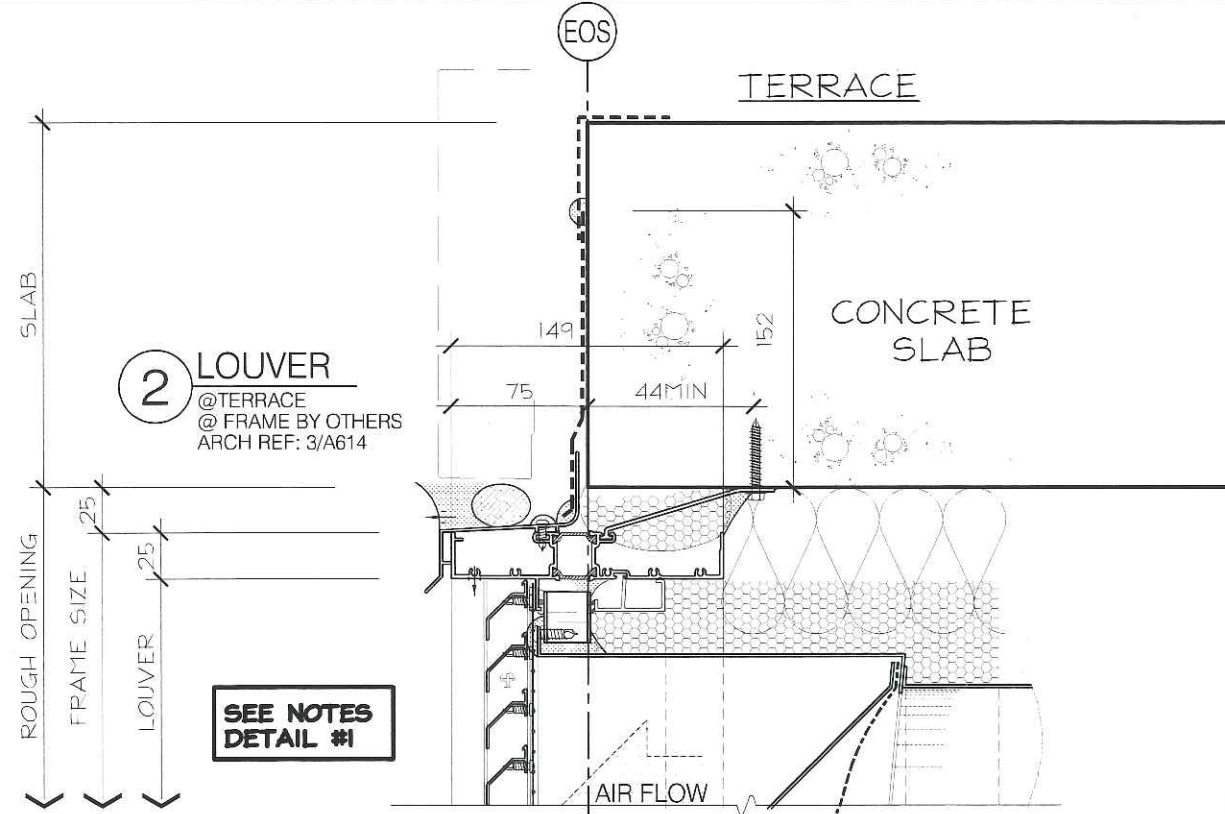
1 PROJECTED PANEL
 @ FRAME BY OTHERS
 ARCH REF: 3/A614



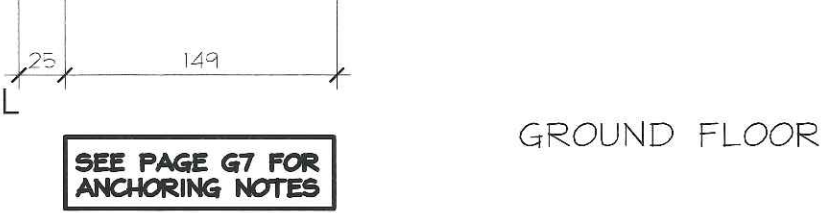
4 PROJECTED PANEL HEAD
 @ PROJECTED PANEL
 @ CONCRETE WALL
 ARCH REF: 4/A612



2 LOUVER
 @ TERRACE
 @ FRAME BY OTHERS
 ARCH REF: 3/A614



3 PROJECTED PANEL
 @ PROJECTED PANEL
 ARCH REF: 4/A612



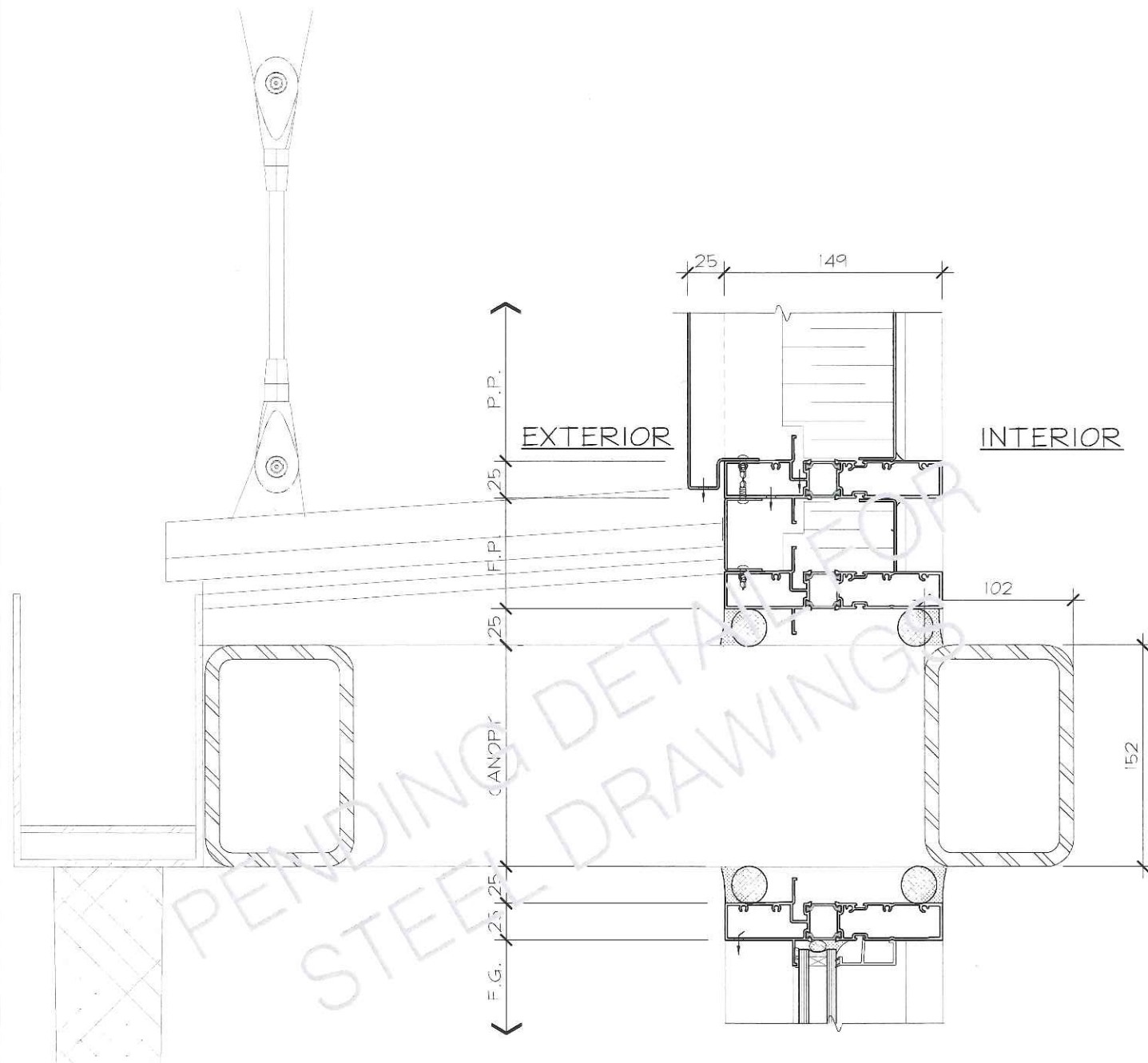
TORO ALUMINUM
 COMMERCIAL INDUSTRIAL RESIDENTIAL
 330 APPLEWOOD CRESCENT TEL: (905) 738-5220
 CONCORD, ON, CANADA FAX: (905) 738-5481
 L4K 4V2 WWW.TOROALUMINUM.COM

LICENSED PROFESSIONAL ENGINEER
 06-27-15
 D.T. PROHASKA
 37549011
 PROVINCE OF ONTARIO

No	REVISION	BY	DATE

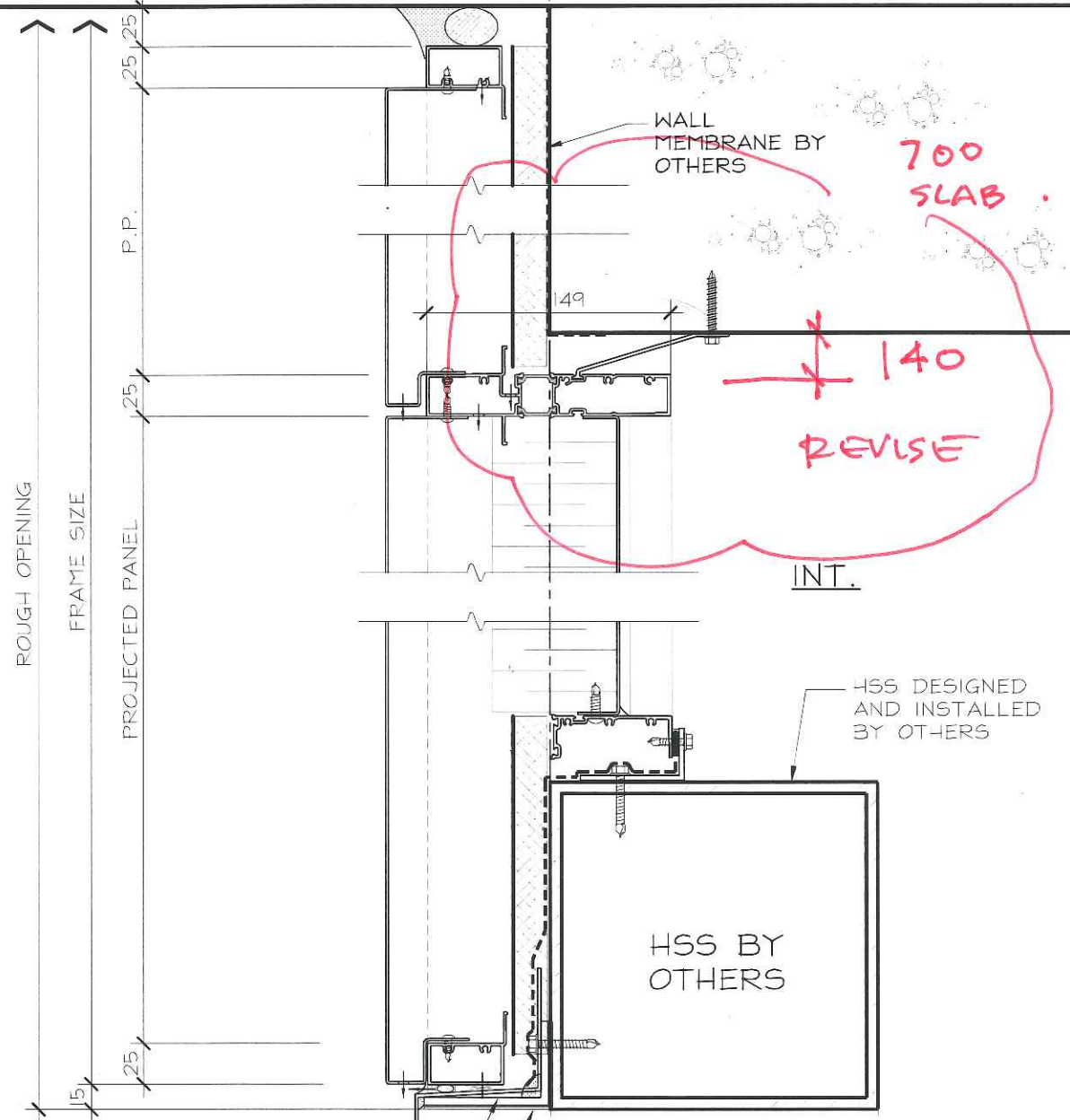
PROJECT NAME:	SQ ALEXANDRA PARK - BLOCK11
DRAWING TITLE:	SECTION DETAILS
ARCHITECT:	TEEPLE ARCHITECTS
CONTRACTOR:	TRIDEL
SCALE:	1:4
DRAWN BY:	S.C.
DATE:	MARCH 4, 2015

DRAWING No.:
S29



1 FLUSH PANEL
@ CANOPY
GROUND FLOOR

3 PROJECTED PANEL
@ PROJECTED PANEL
REFER TO ARCH. 3/A503



2 PROJECTED PANEL
@ PARKING DOOR BELOW
REFER TO ARCH. 3/A503

GROUND FLOOR

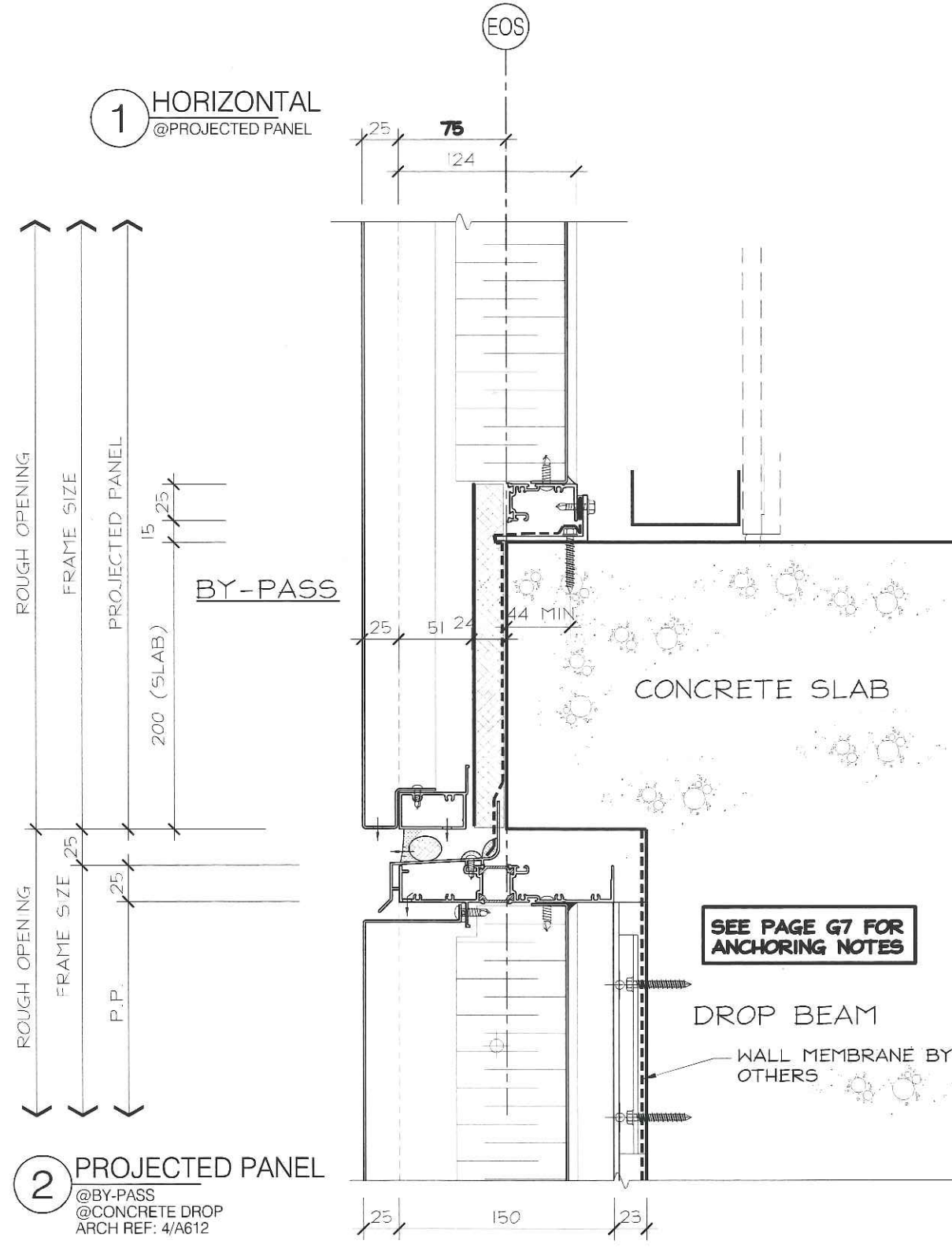
TORO ALUMINUM
COMMERCIAL INDUSTRIAL RESIDENTIAL
330 APPLEWOOD CRESCENT TEL: (905) 738-5220
CONCORD, ON, CANADA FAX: (905) 738-5481
L4K 4V2 WWW.TOROALUMINUM.COM

LICENSED PROFESSIONAL ENGINEER
06-27-15
D.T. PROHASKA
37549917
PROVINCE OF ONTARIO

No.	REVISION	BY	DATE

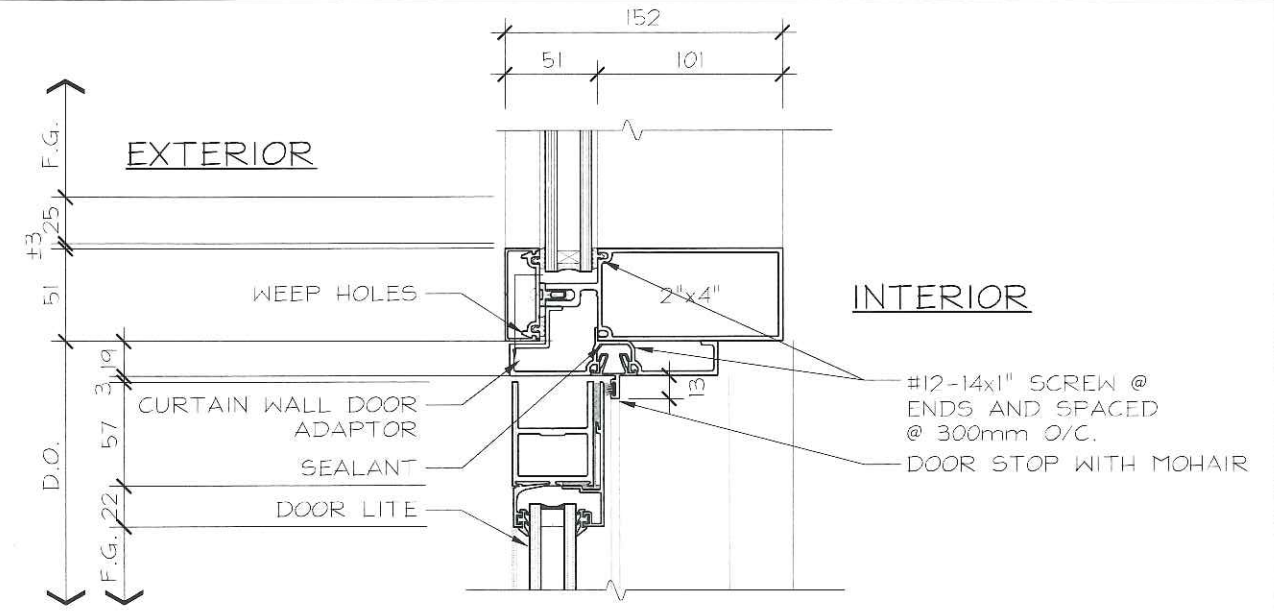
PROJECT NAME:	SQ ALEXANDRA PARK - BLOCK11		
DRAWING TITLE:	SECTION DETAILS		
ARCHITECT:	TEEPLE ARCHITECTS		
CONTRACTOR:	TRIDEL		
SCALE:	1:4	DRAWN BY:	S.C.
DATE:	MARCH 4, 2015		

DRAWING No.:
S30

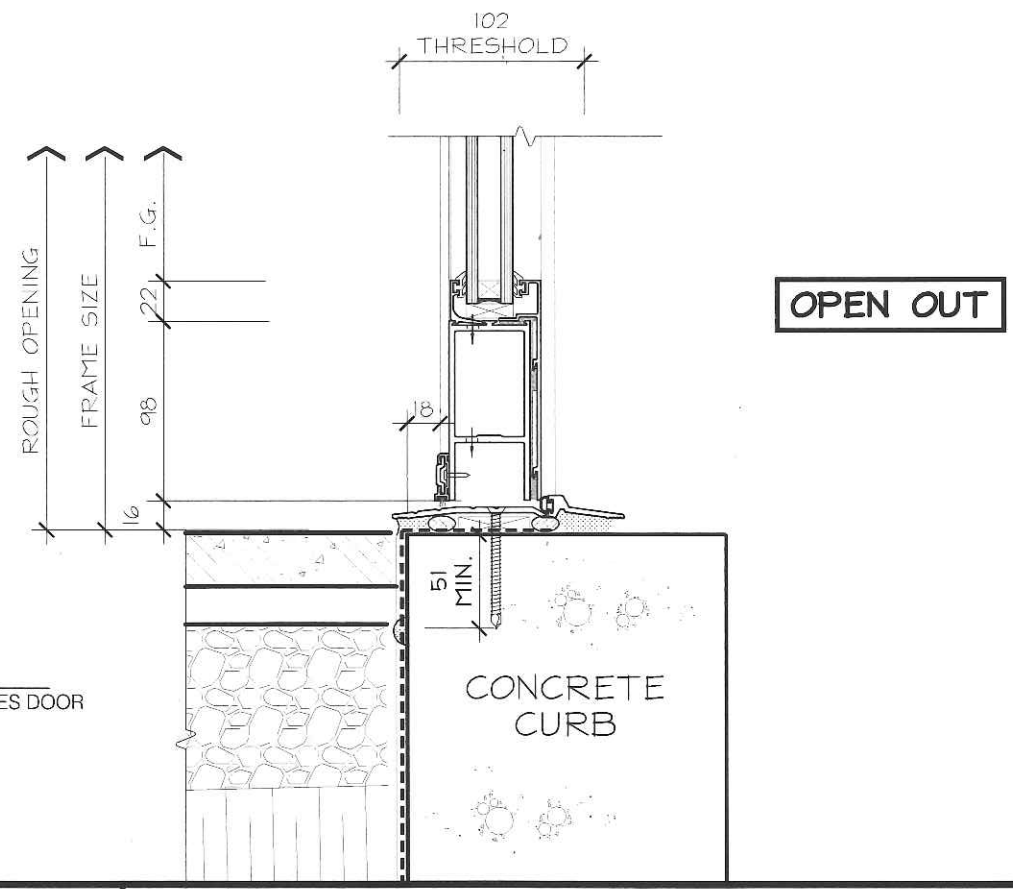


2 PROJECTED PANEL
@BY-PASS
@CONCRETE DROP
ARCH REF: 4/A612

4 260 SERIES DOOR
@ F.G.

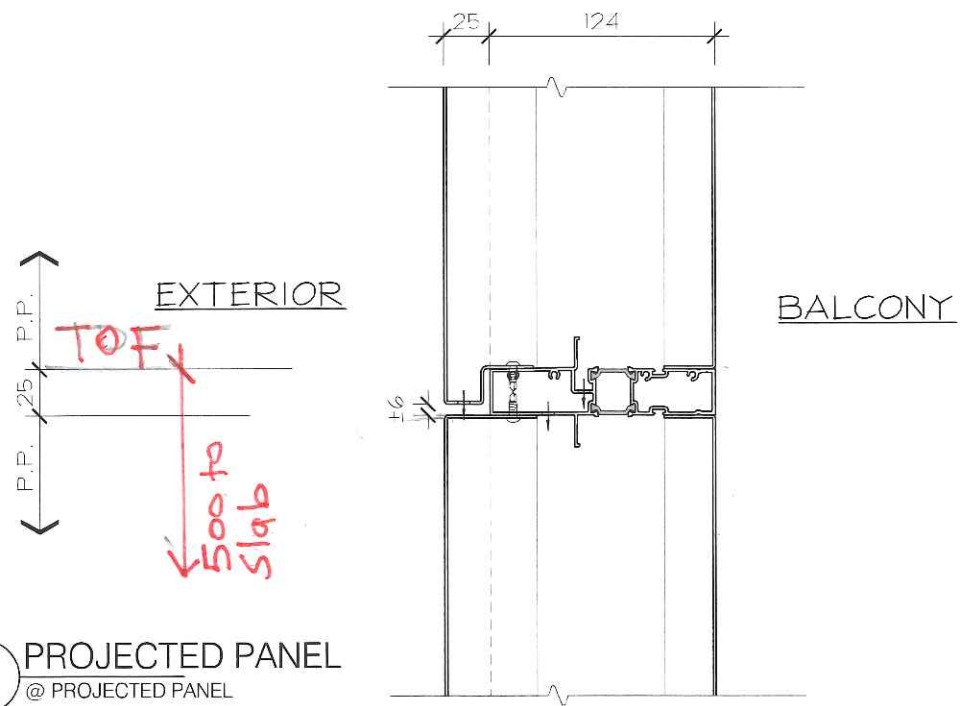


3 SILL
@ 260 SERIES DOOR

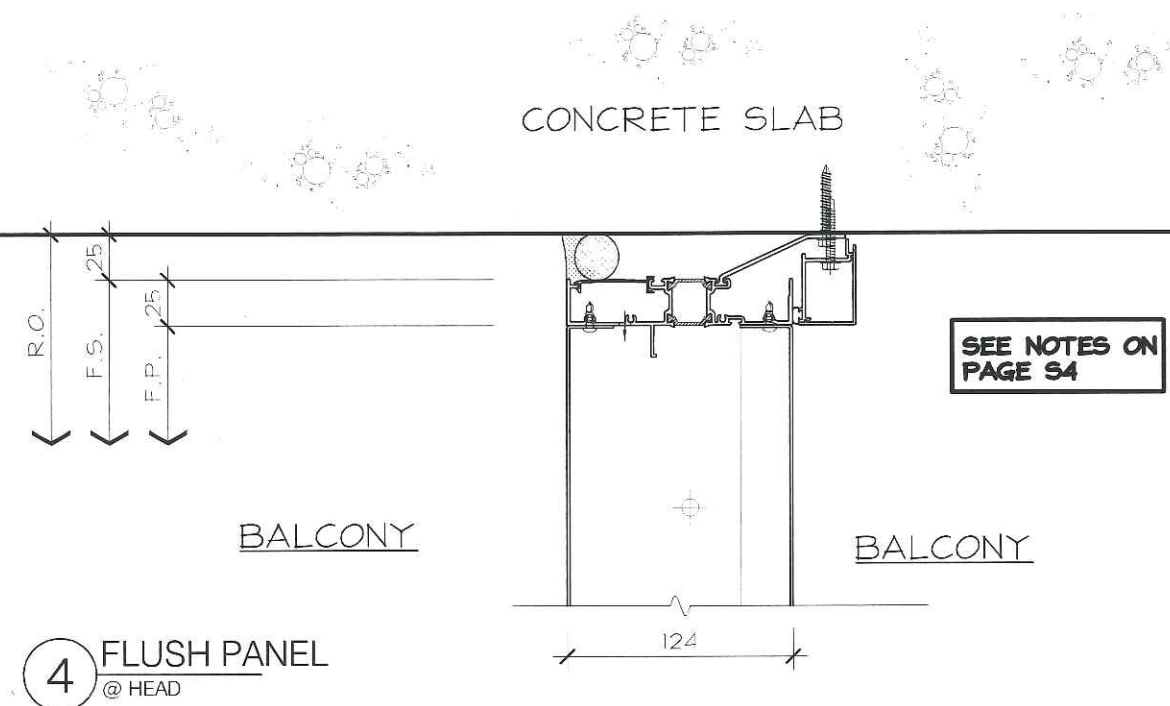


No.	REVISION	BY	DATE

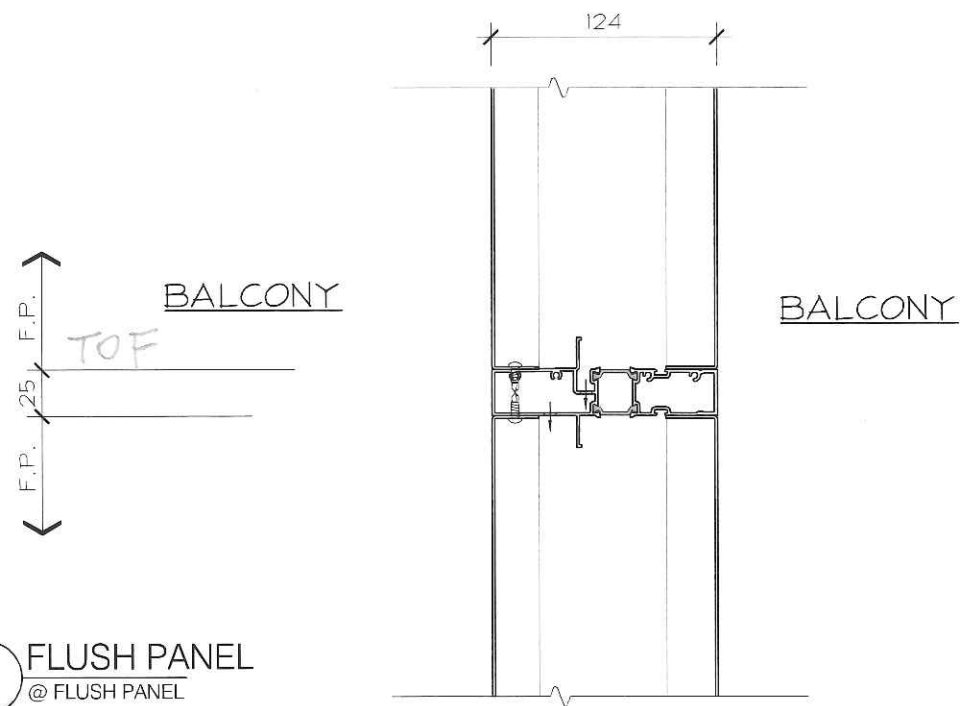
PROJECT NAME: SQ ALEXANDRA PARK - BLOCK11		DRAWING No.:	
DRAWING TITLE: SECTION DETAILS		S31	
ARCHITECT: TEEPLE ARCHITECTS		SCALE: 1:4	
CONTRACTOR: TRIDEL		DRAWN BY: S.C.	
DATE: MARCH 4, 2015			



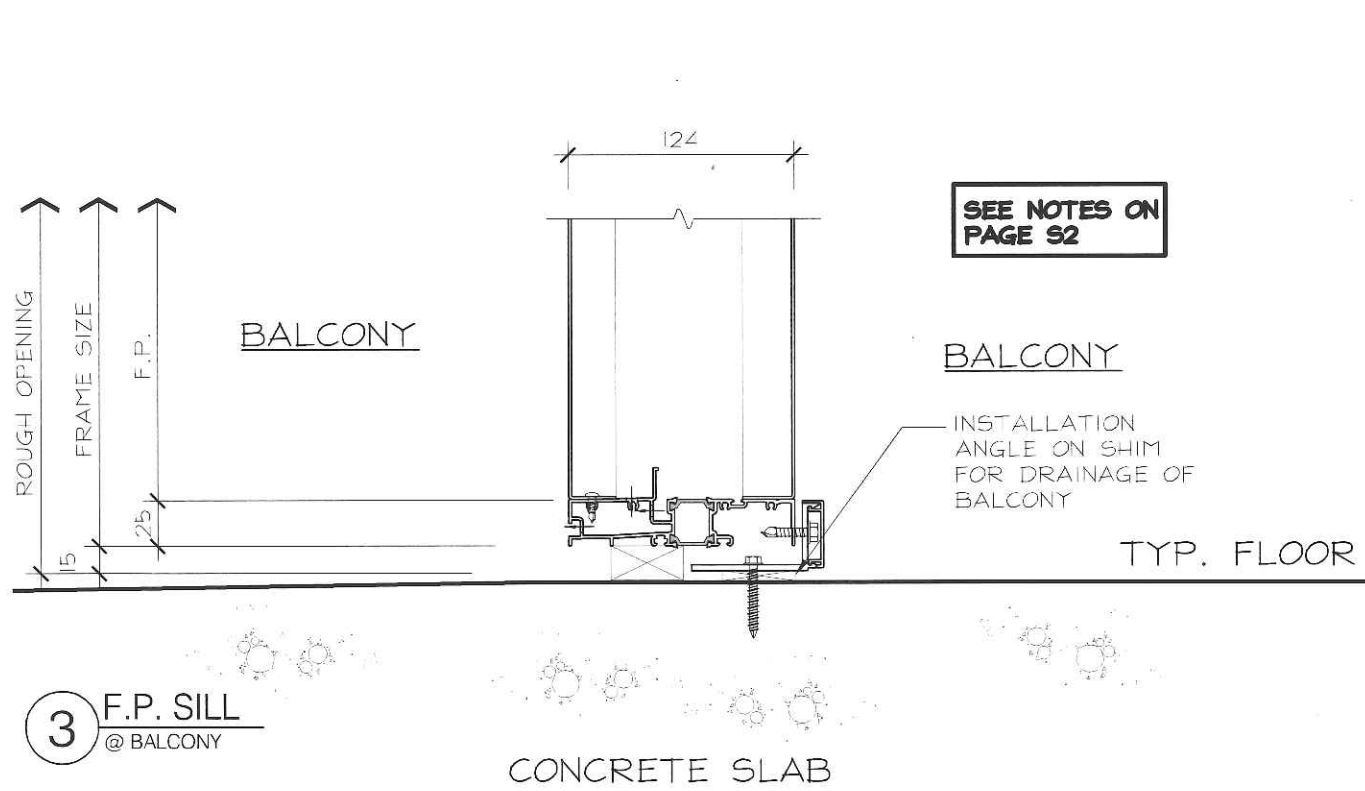
1 PROJECTED PANEL
@ PROJECTED PANEL



4 FLUSH PANEL
@ HEAD



2 FLUSH PANEL
@ FLUSH PANEL



3 F.P. SILL
@ BALCONY



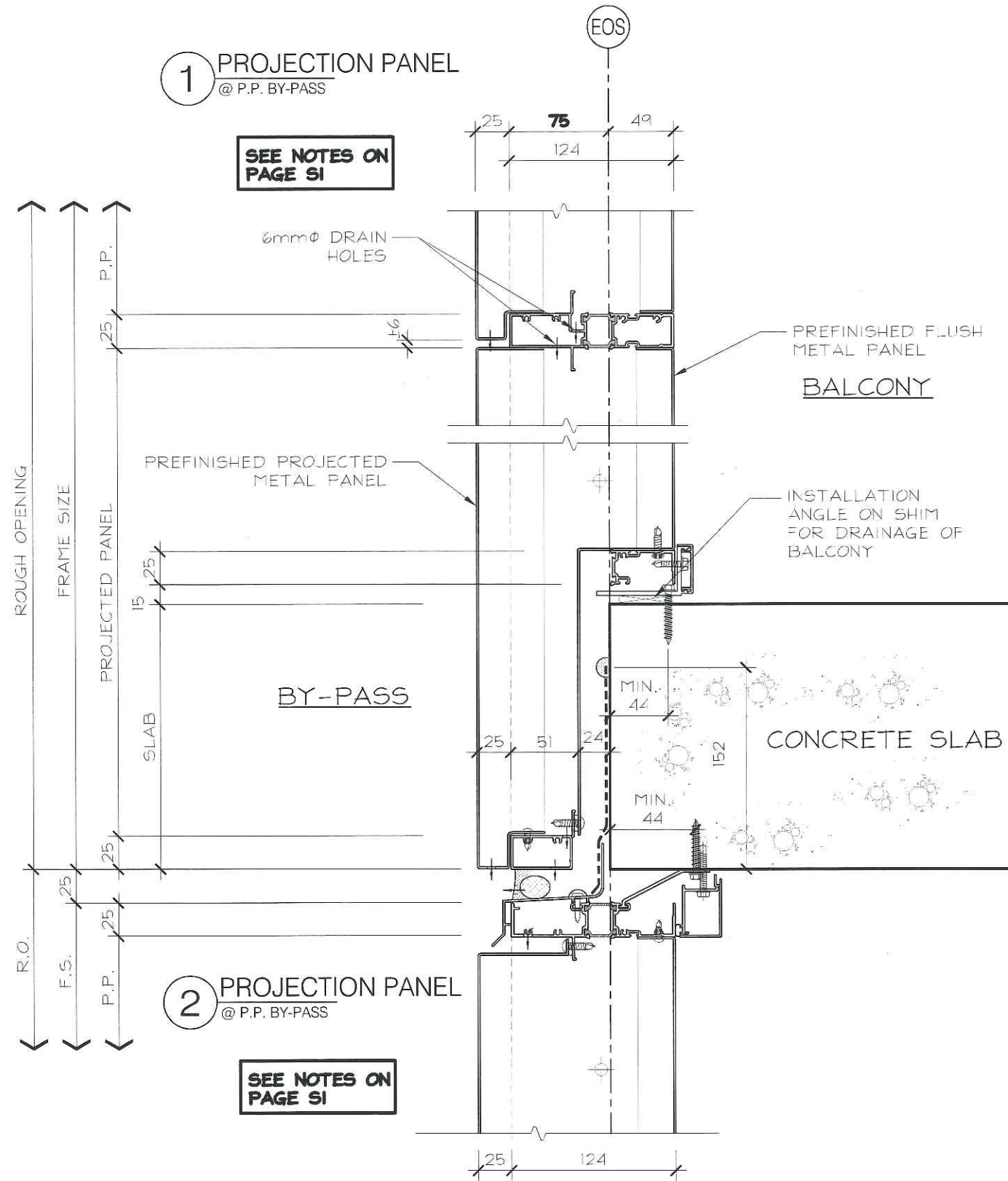
No.	REVISION	BY	DATE

PROJECT NAME:	SQ ALEXANDRA PARK - BLOCK11		
DRAWING TITLE:	SECTION DETAILS		
ARCHITECT:	TEEPLE ARCHITECTS		
CONTRACTOR:	TRIDEL		
SCALE:	1:4	DRAWN BY:	S.C.
DATE:	MARCH 4, 2015		

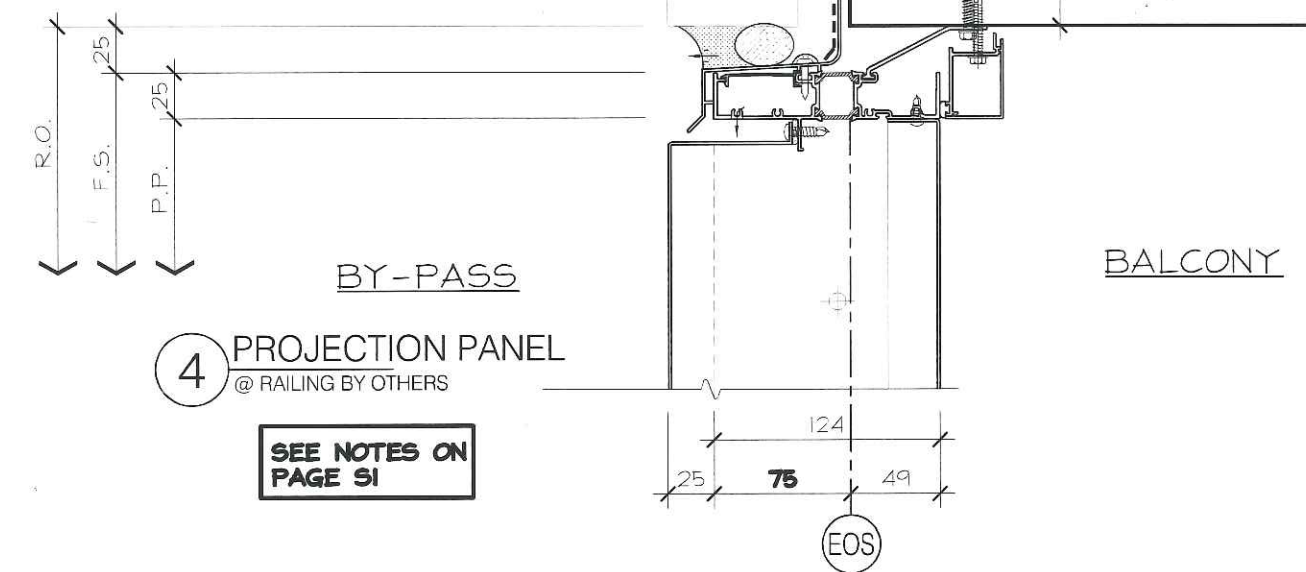
DRAWING No.:
S32

1 PROJECTION PANEL
@ P.P. BY-PASS

SEE NOTES ON PAGE S1



DETAIL BY TORO RAILING

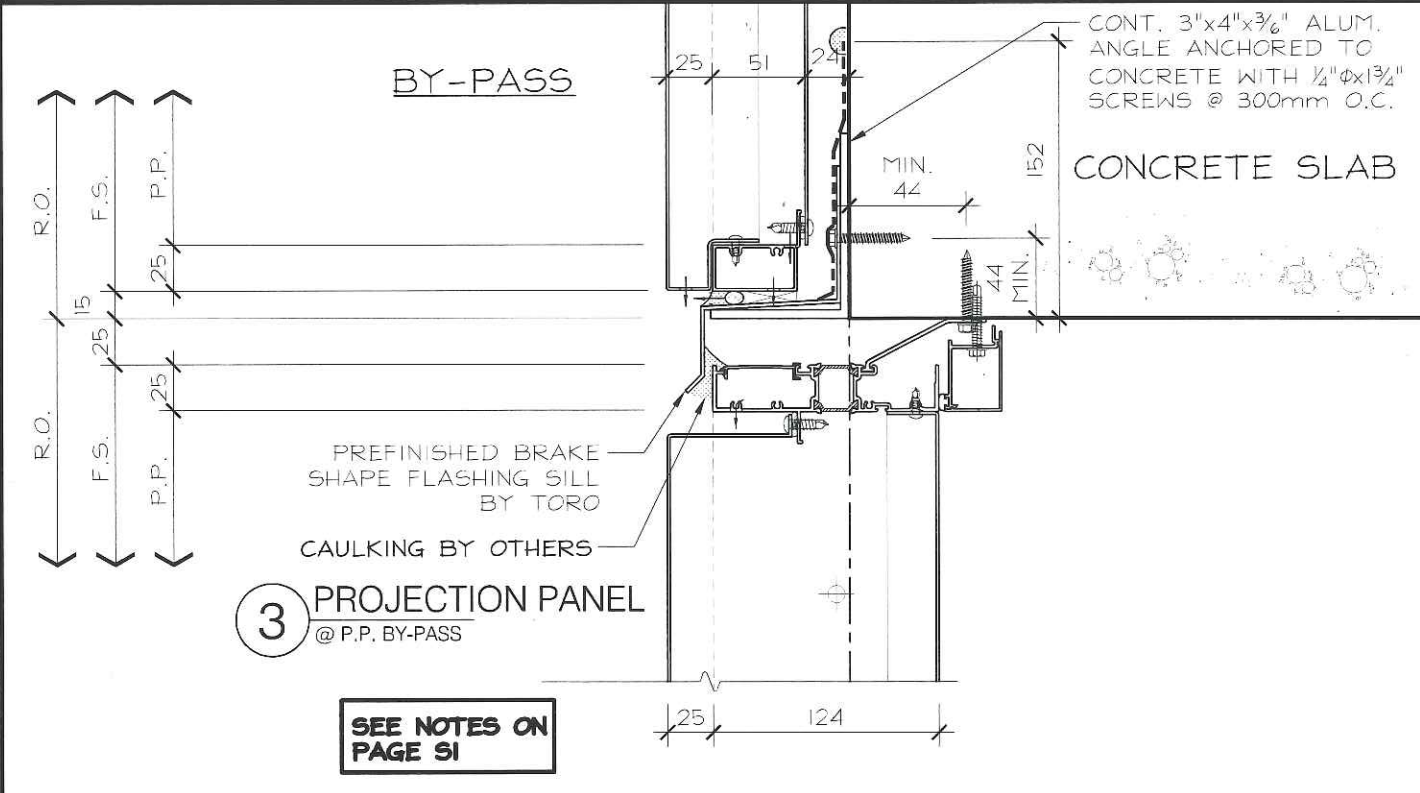


4 PROJECTION PANEL
@ RAILING BY OTHERS

SEE NOTES ON PAGE S1

2 PROJECTION PANEL
@ P.P. BY-PASS

SEE NOTES ON PAGE S1



3 PROJECTION PANEL
@ P.P. BY-PASS

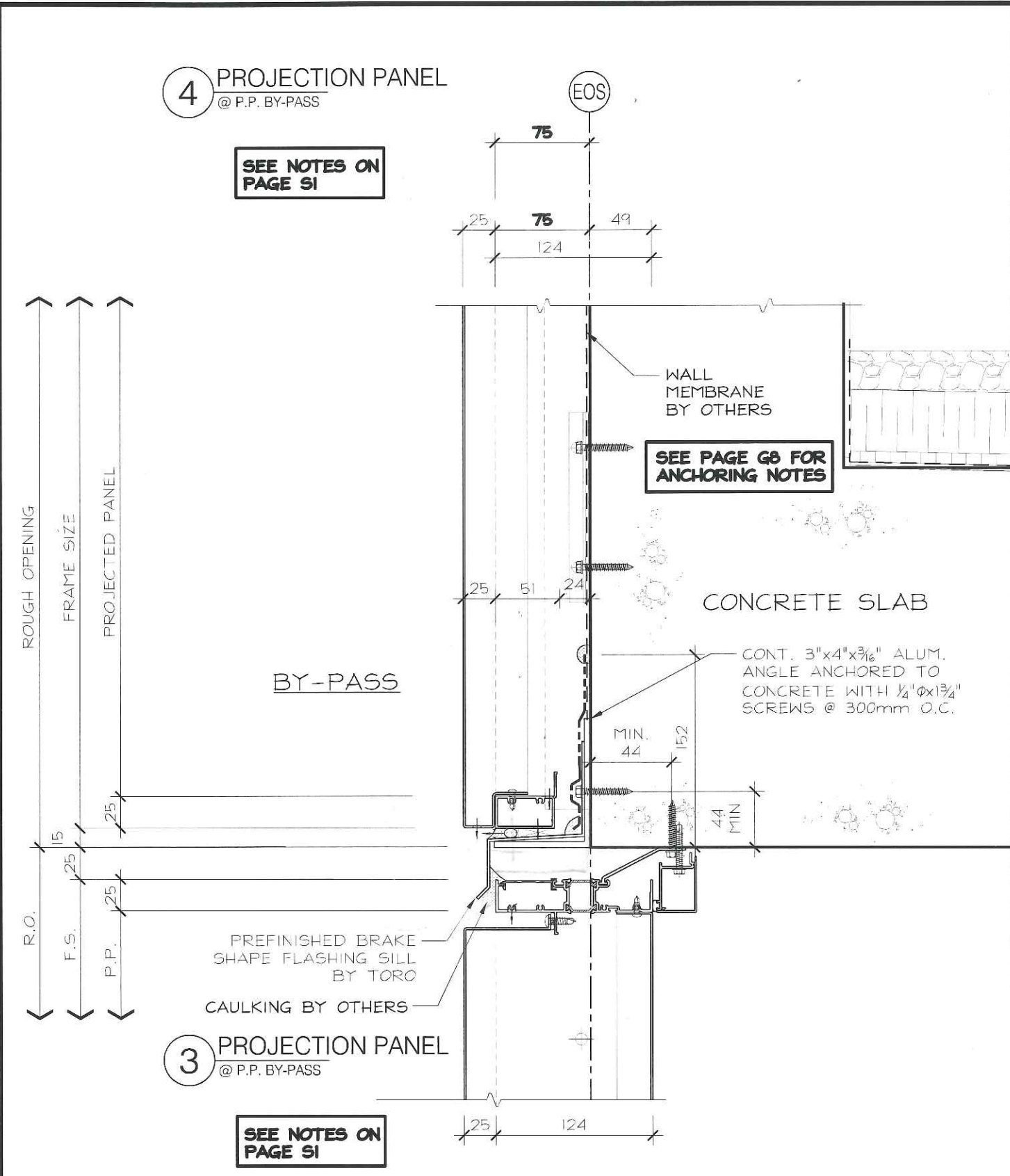
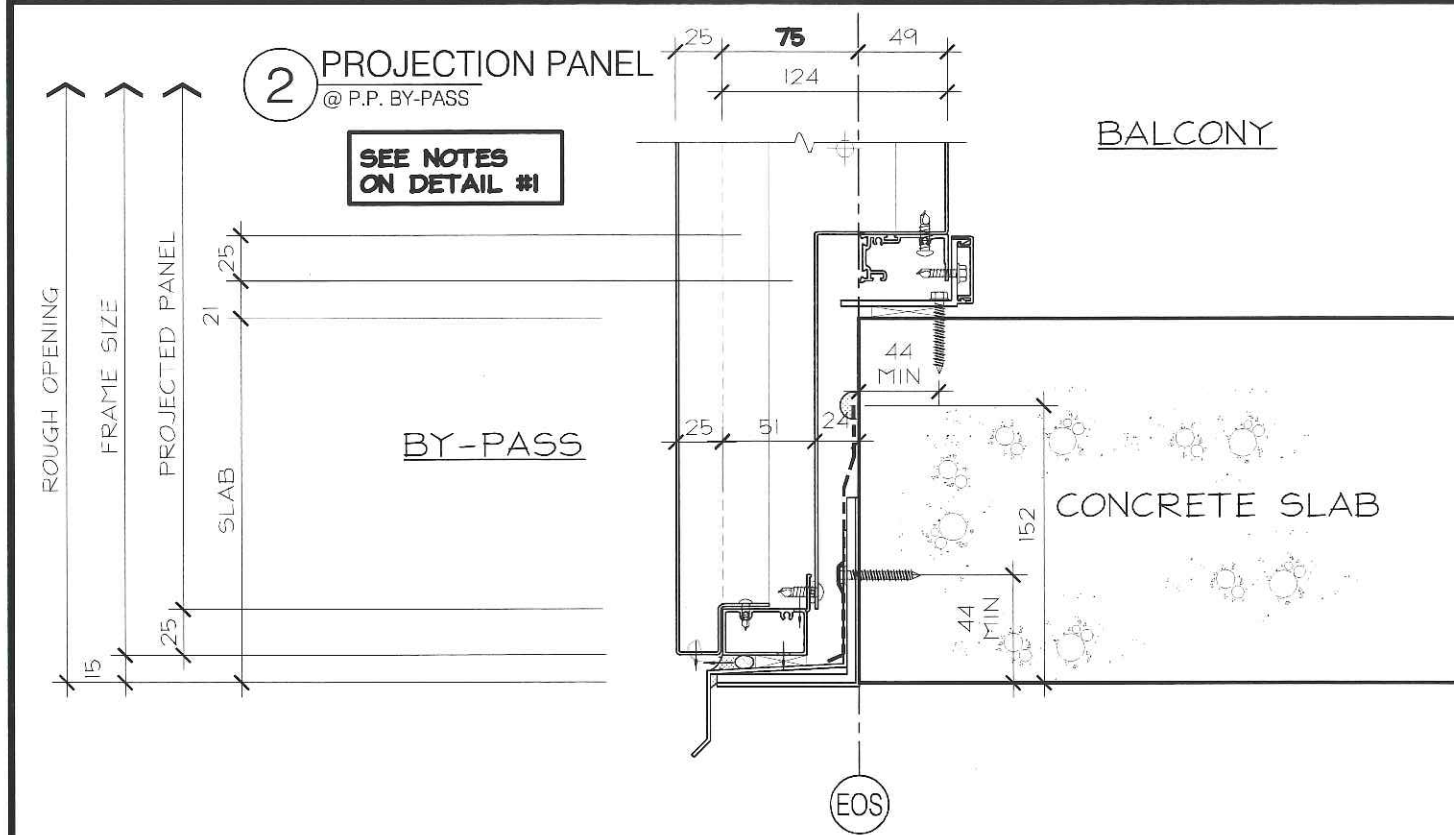
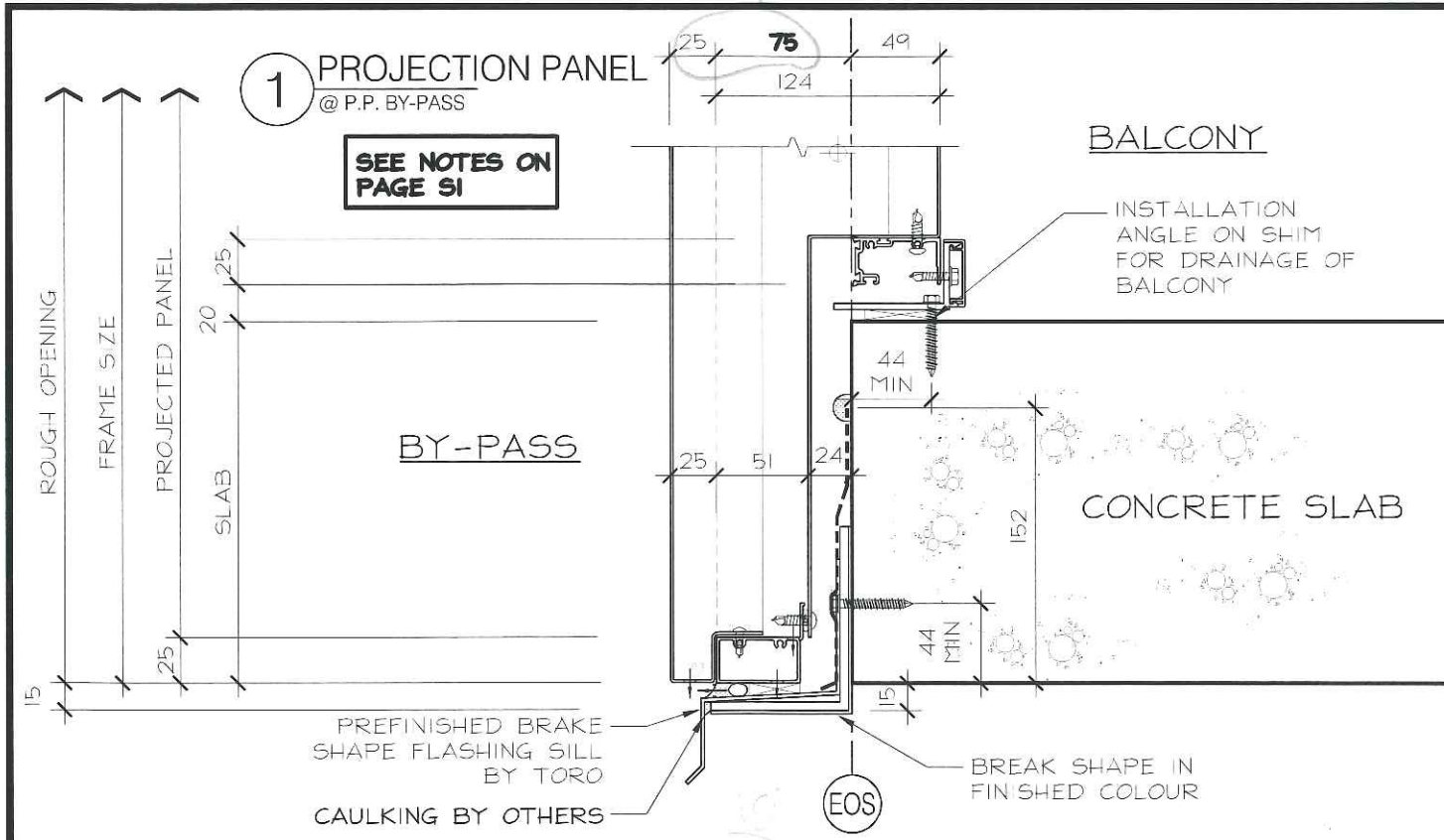
SEE NOTES ON PAGE S1



No.	REVISION	BY	DATE

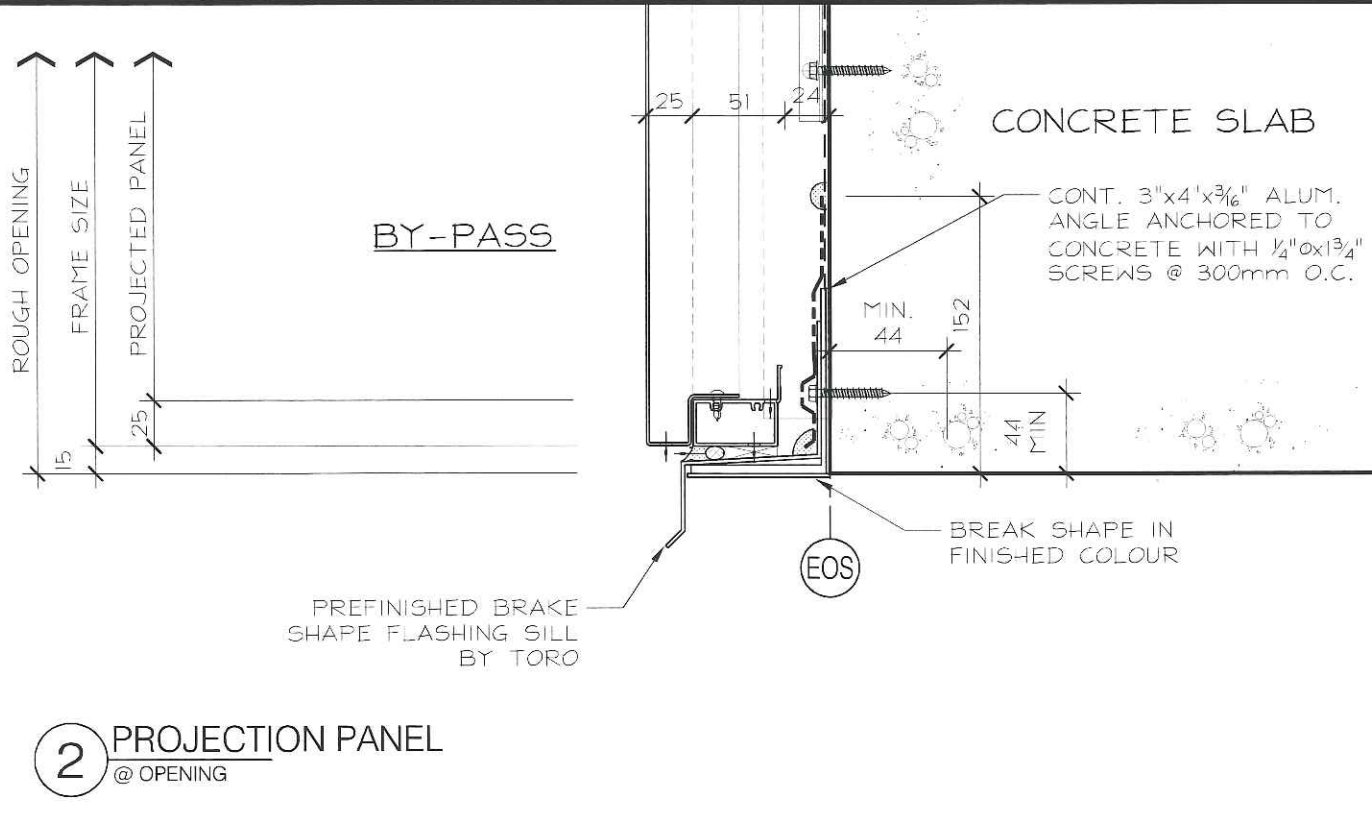
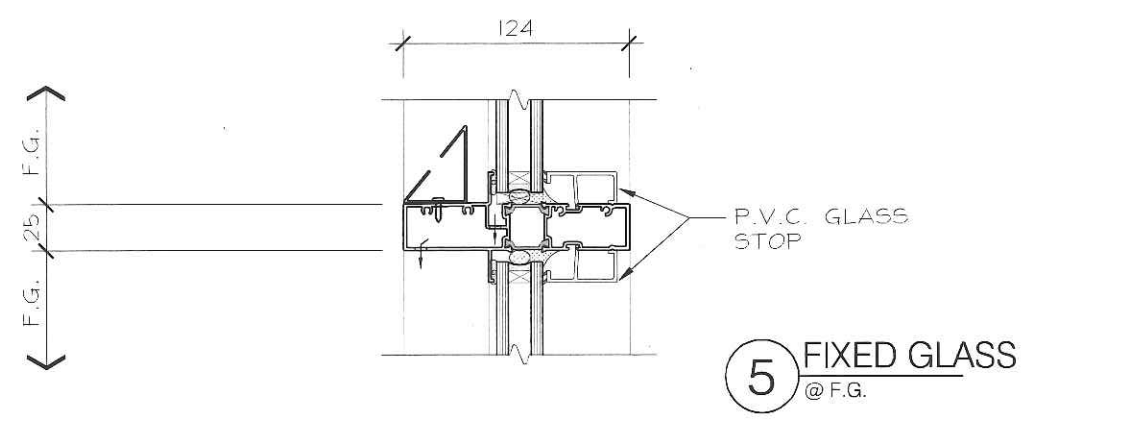
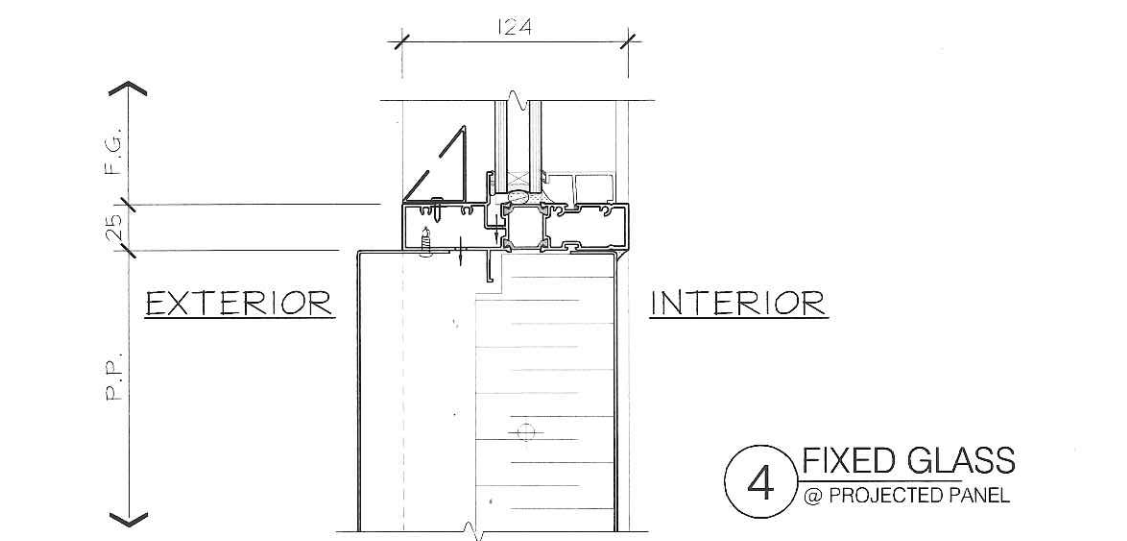
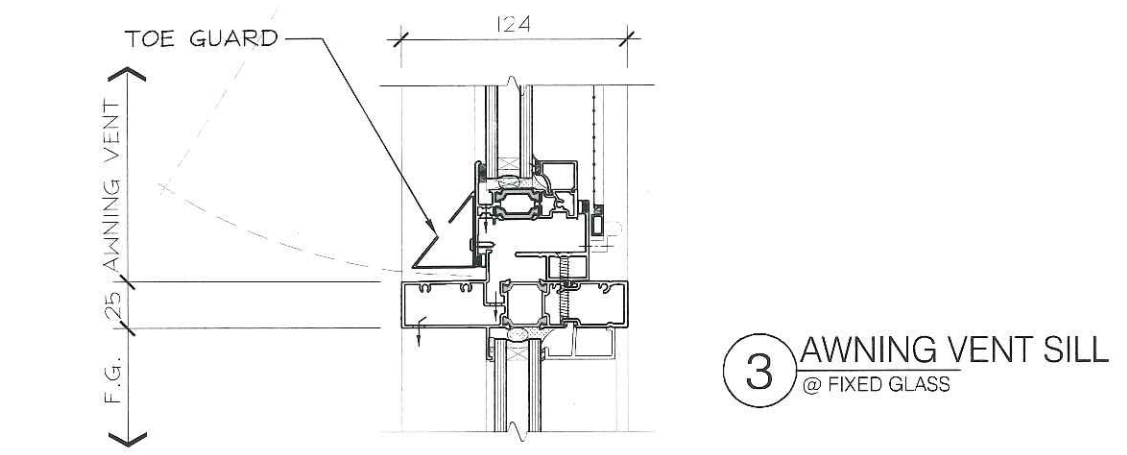
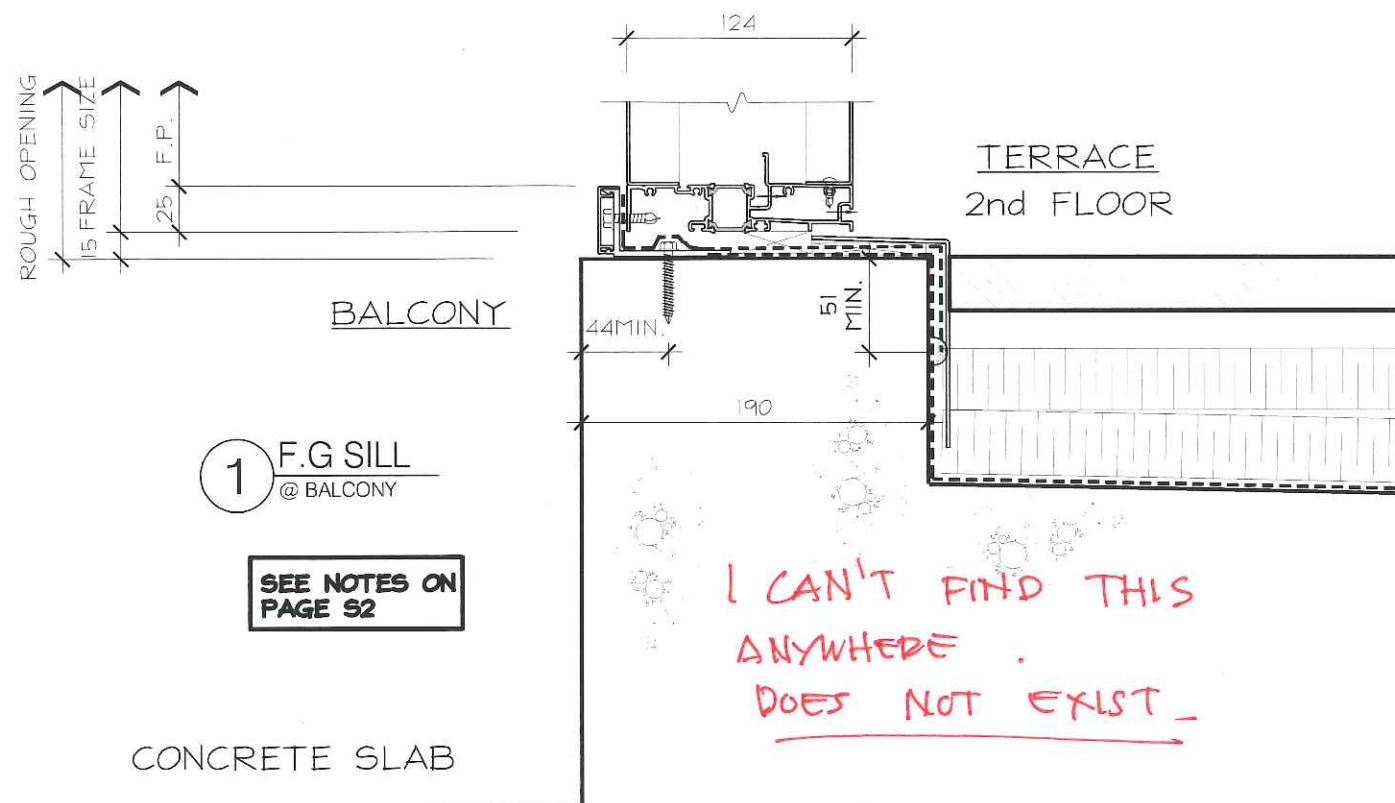
PROJECT NAME:	SQ ALEXANDRA PARK - BLOCK11
DRAWING TITLE:	SECTION DETAILS
ARCHITECT:	TEEPLE ARCHITECTS
CONTRACTOR:	TRIDEL
SCALE:	1:4
DRAWN BY:	S.C.
DATE:	MARCH 4, 2015

DRAWING No.:
S33



No.	REVISION	BY	DATE

PROJECT NAME:	SQ ALEXANDRA PARK - BLOCK11		
DRAWING TITLE:	SECTION DETAILS		
ARCHITECT:	TEEPLE ARCHITECTS		DRAWING No.:
CONTRACTOR:	TRIDEL		S34
SCALE:	1:4	DRAWN BY:	S.C.
DATE:	MARCH 4, 2015		



TORO ALUMINUM
 COMMERCIAL INDUSTRIAL RESIDENTIAL
 330 APPLEWOOD CRESCENT TEL: (905) 738-5220
 CONCORD, ON, CANADA FAX: (905) 738-5481
 L4K 4V2 WWW.TOROALUMINUM.COM

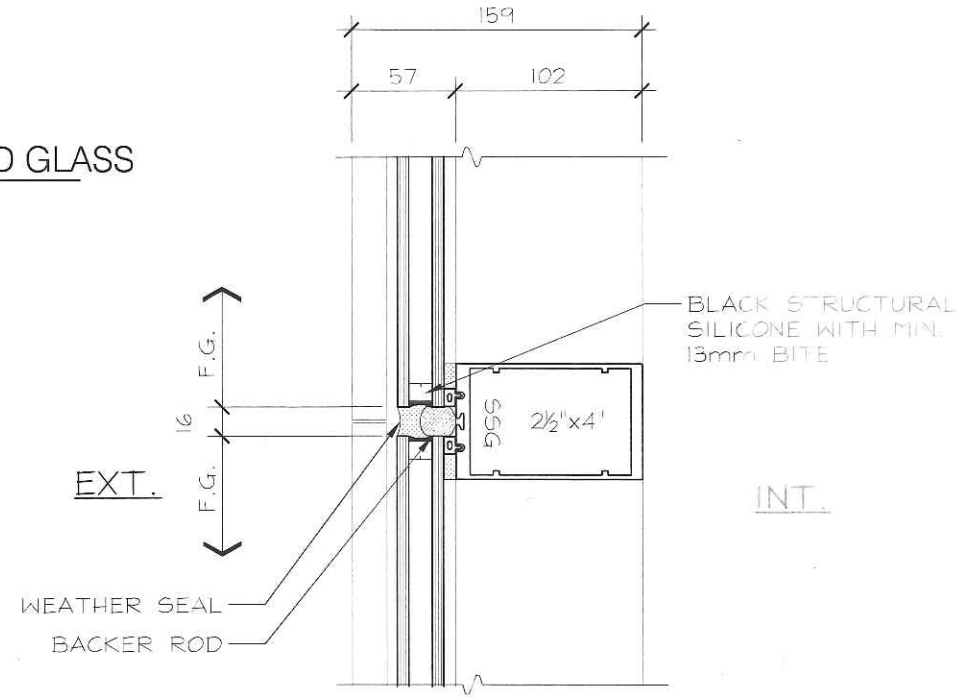
LICENSED PROFESSIONAL ENGINEER
 06-27-15
 D.T. PROHASKA
 37549017
 PROVINCE OF ONTARIO

No.	REVISION	BY	DATE

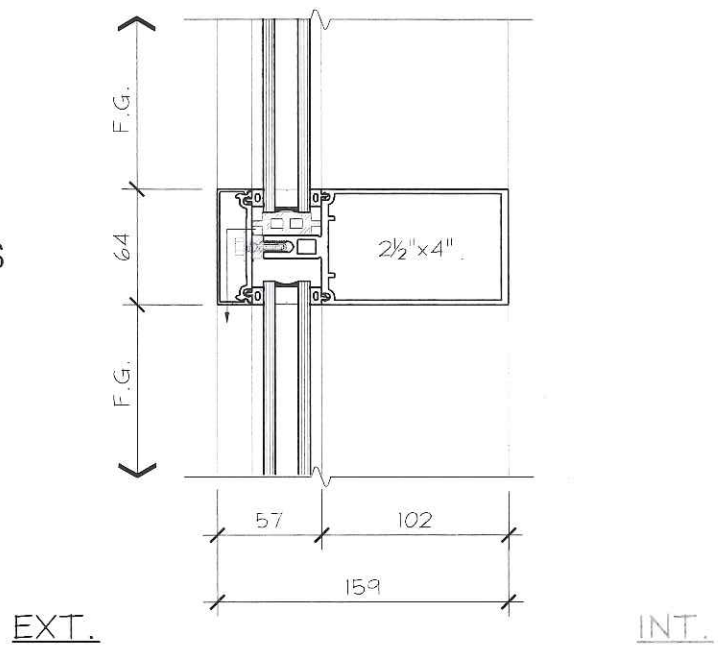
PROJECT NAME: SQ ALEXANDRA PARK - BLOCK11
 DRAWING TITLE: SECTION DETAILS
 ARCHITECT: TEEPLE ARCHITECTS
 CONTRACTOR: TRIDEL
 SCALE: 1:4
 DRAWN BY: S.C.
 DATE: MARCH 4, 2015

DRAWING No.:
S35

1 FIXED GLASS
@F.G.



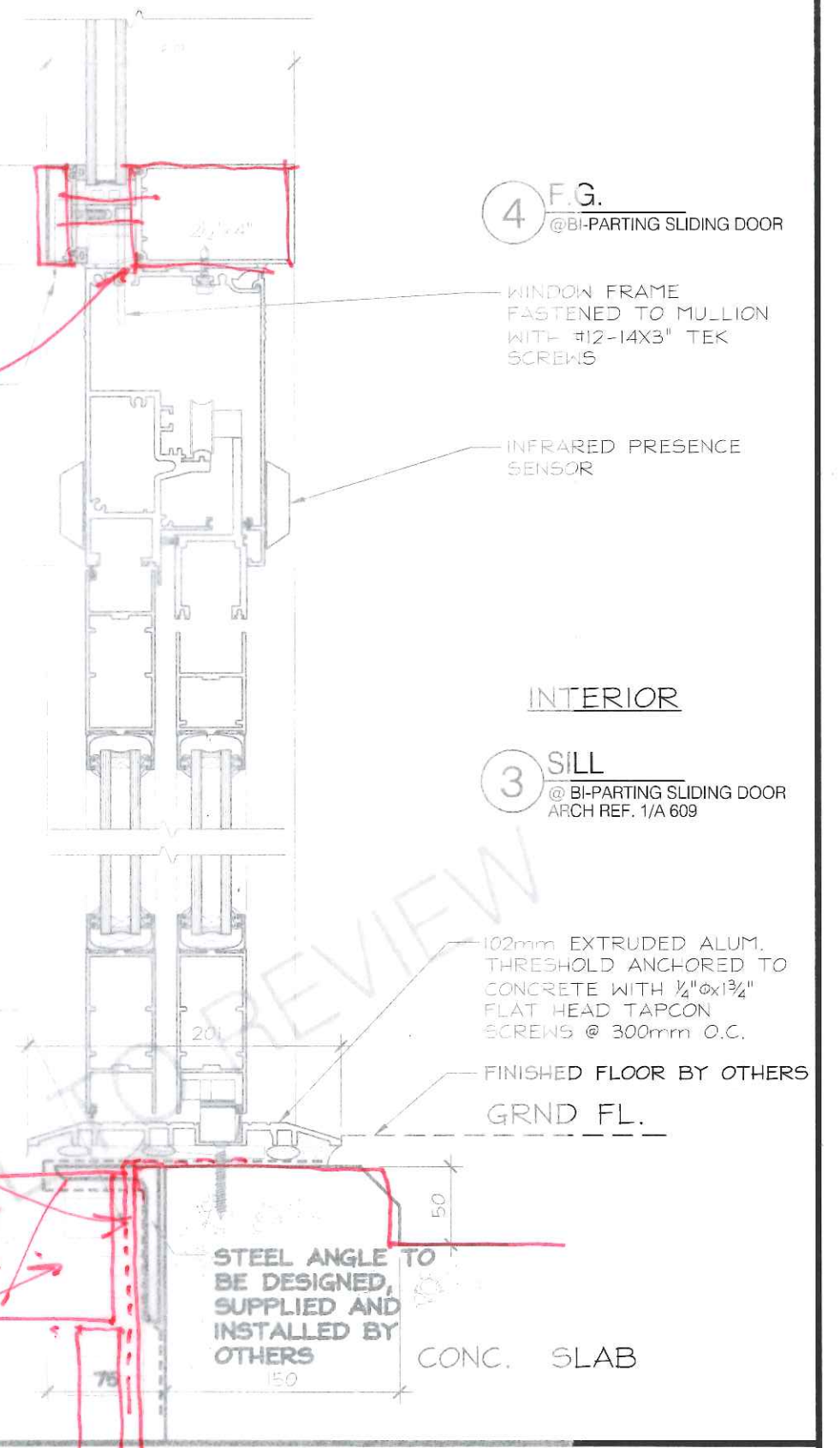
2 FIXED GLASS
@ FIXED GLASS



4 F.G.
@BI-PARTING SLIDING DOOR

*Align C.W. shoulder
w/ slab edge*

*no angle
no insulation @
paning*



3 SILL
@ BI-PARTING SLIDING DOOR
ARCH REF. 1/A 609

102mm EXTRUDED ALUM.
THRESHOLD ANCHORED TO
CONCRETE WITH 1/4\"/>

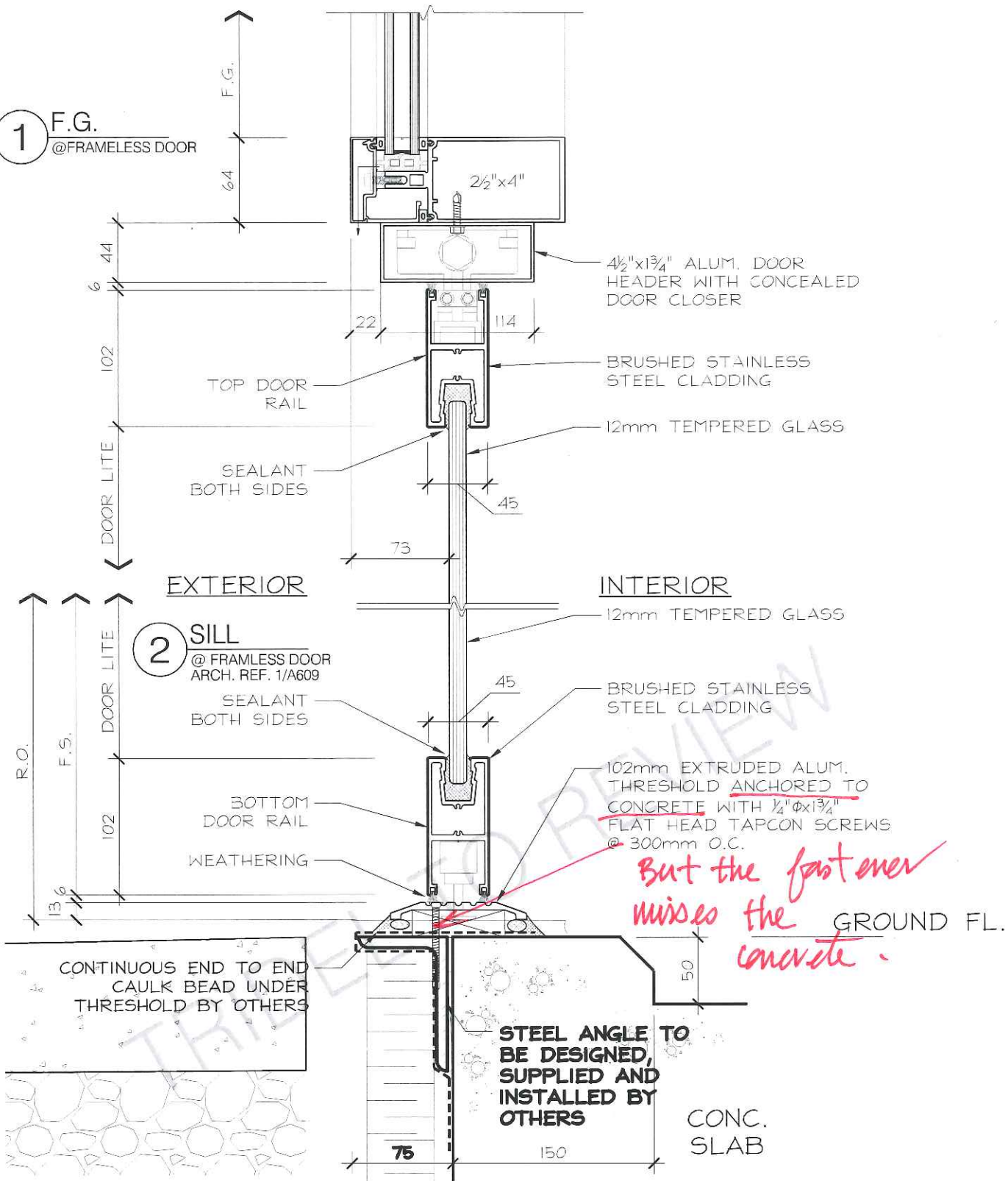
STEEL ANGLE TO
BE DESIGNED,
SUPPLIED AND
INSTALLED BY
OTHERS

CONC. SLAB



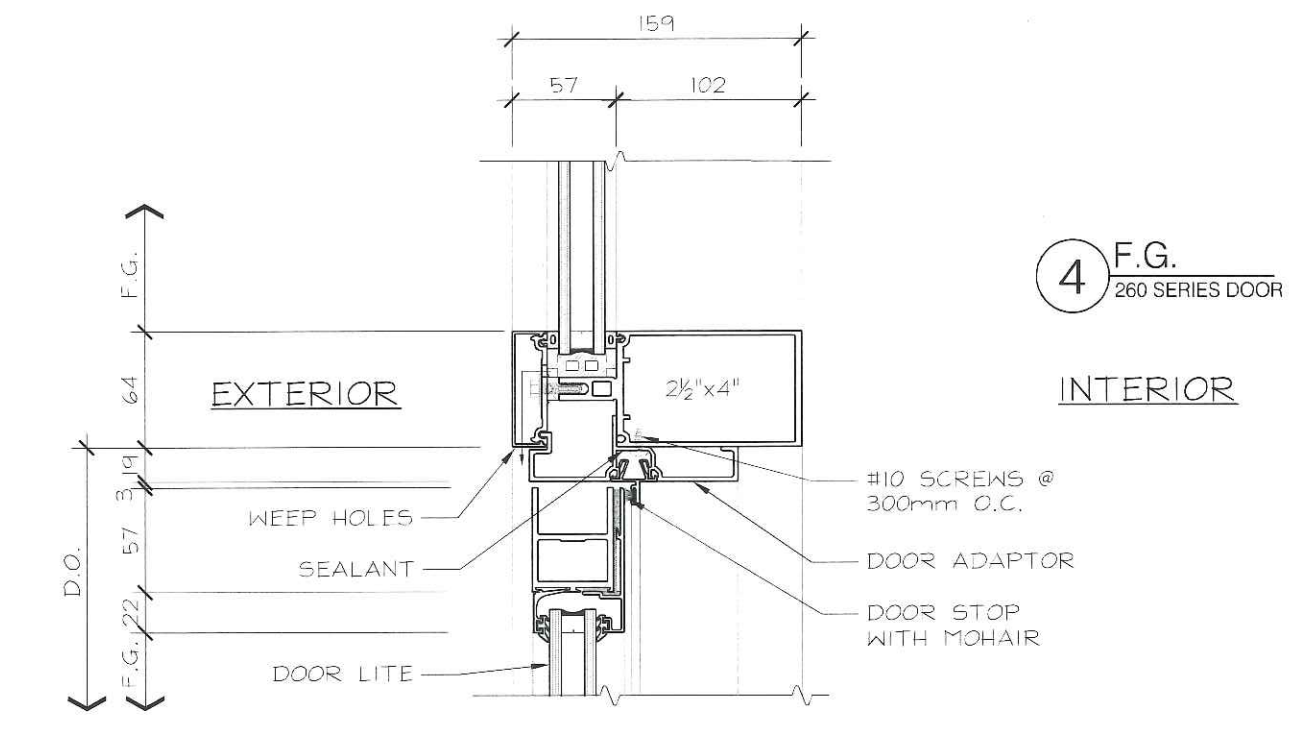
PROJECT NAME		SQ ALEXANDRA PARK - BLOCK 11	
DRAWING TITLE		SECTION DETAILS	
ARCHITECT		TESPIT ARCHITECTS	
CONTRACTOR		T.F. DE	
No.	REVISION	BY	DATE
SCALE 1/4"		DRAWN BY S.C.	
DATE		MARCH 4, 2015	
DRAWING No.:			S36

1 F.G.
@FRAMELESS DOOR



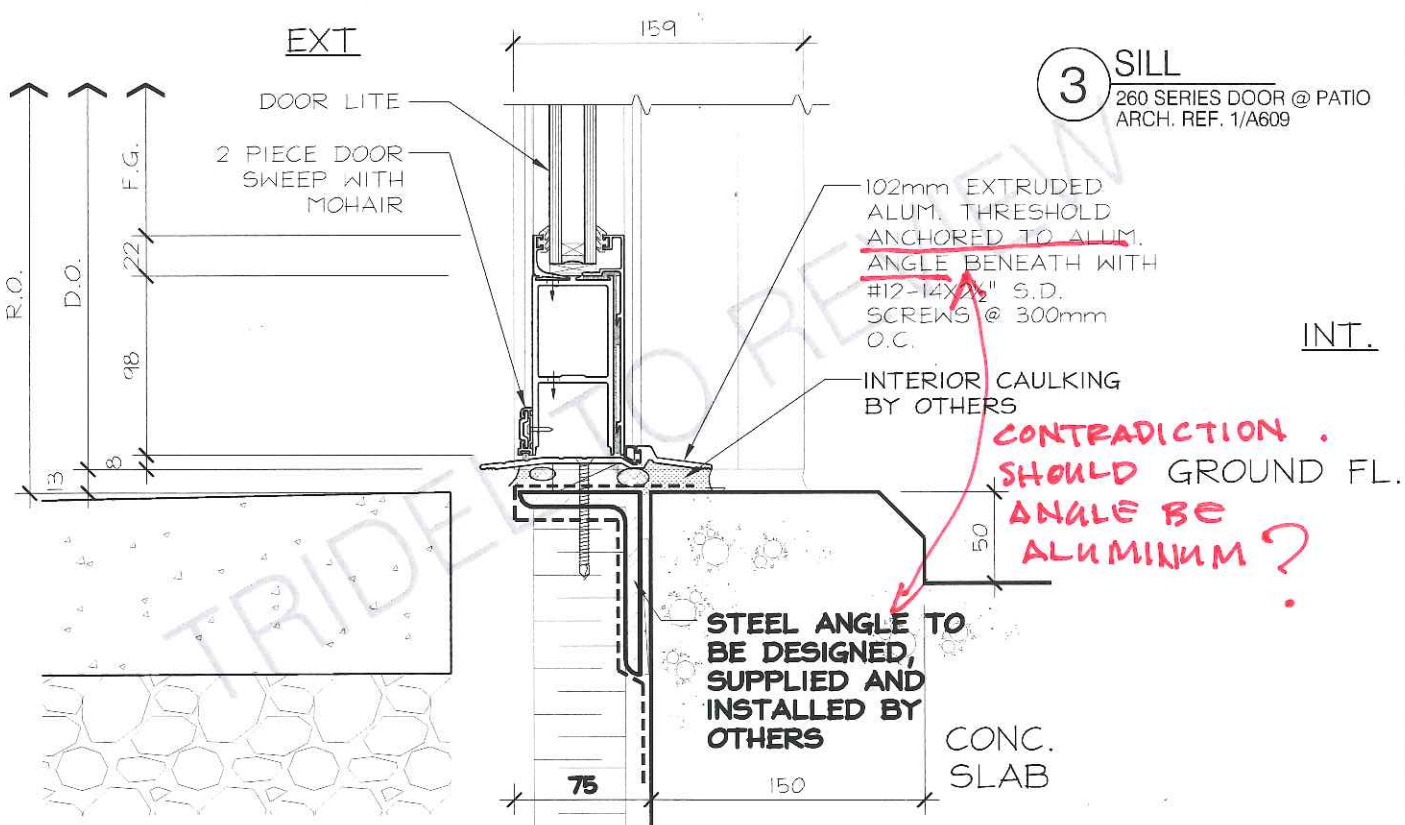
But the fastener misses the concrete.

4 F.G.
260 SERIES DOOR



OPEN OUT

3 SILL
260 SERIES DOOR @ PATIO
ARCH. REF. 1/A609

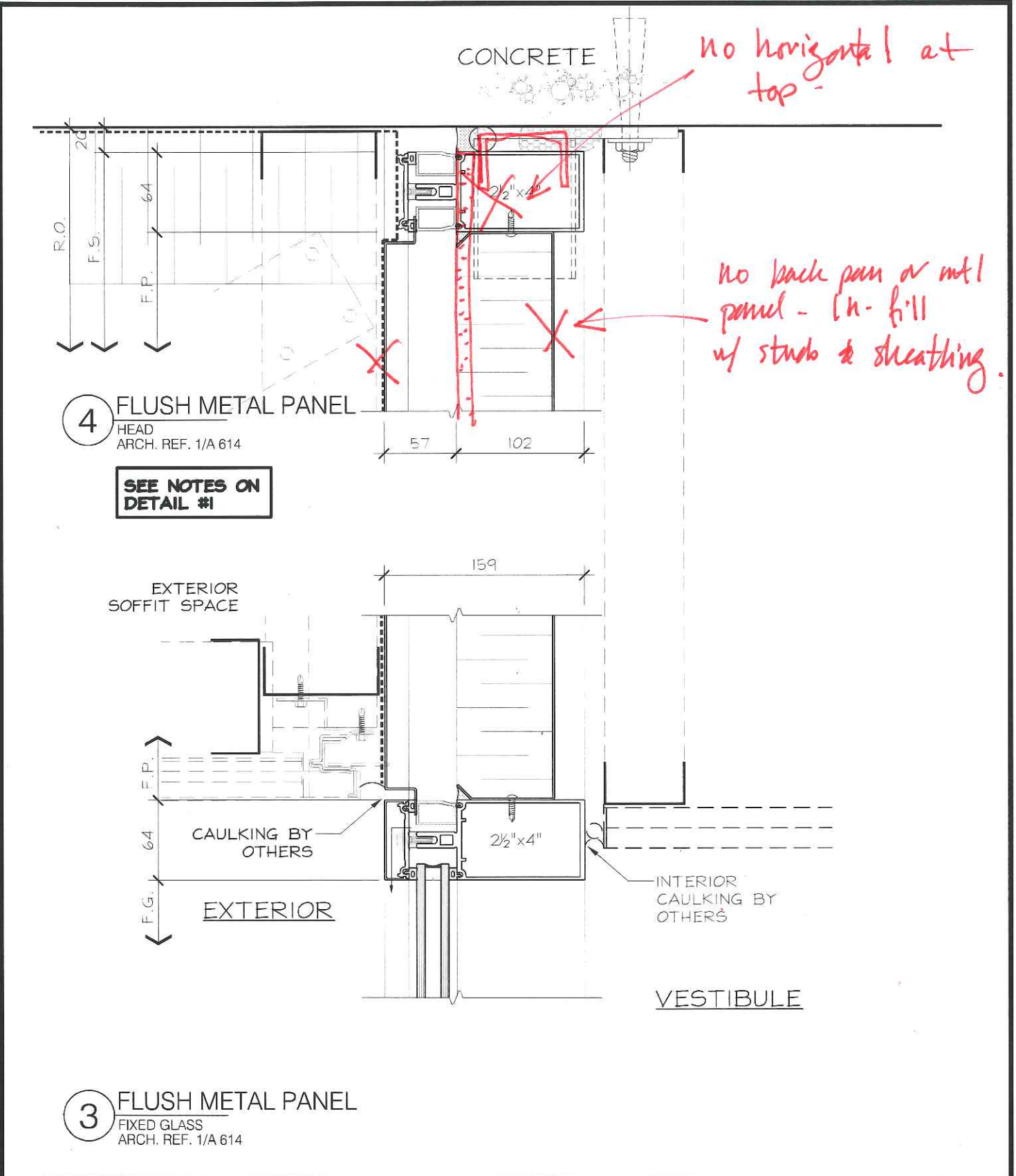
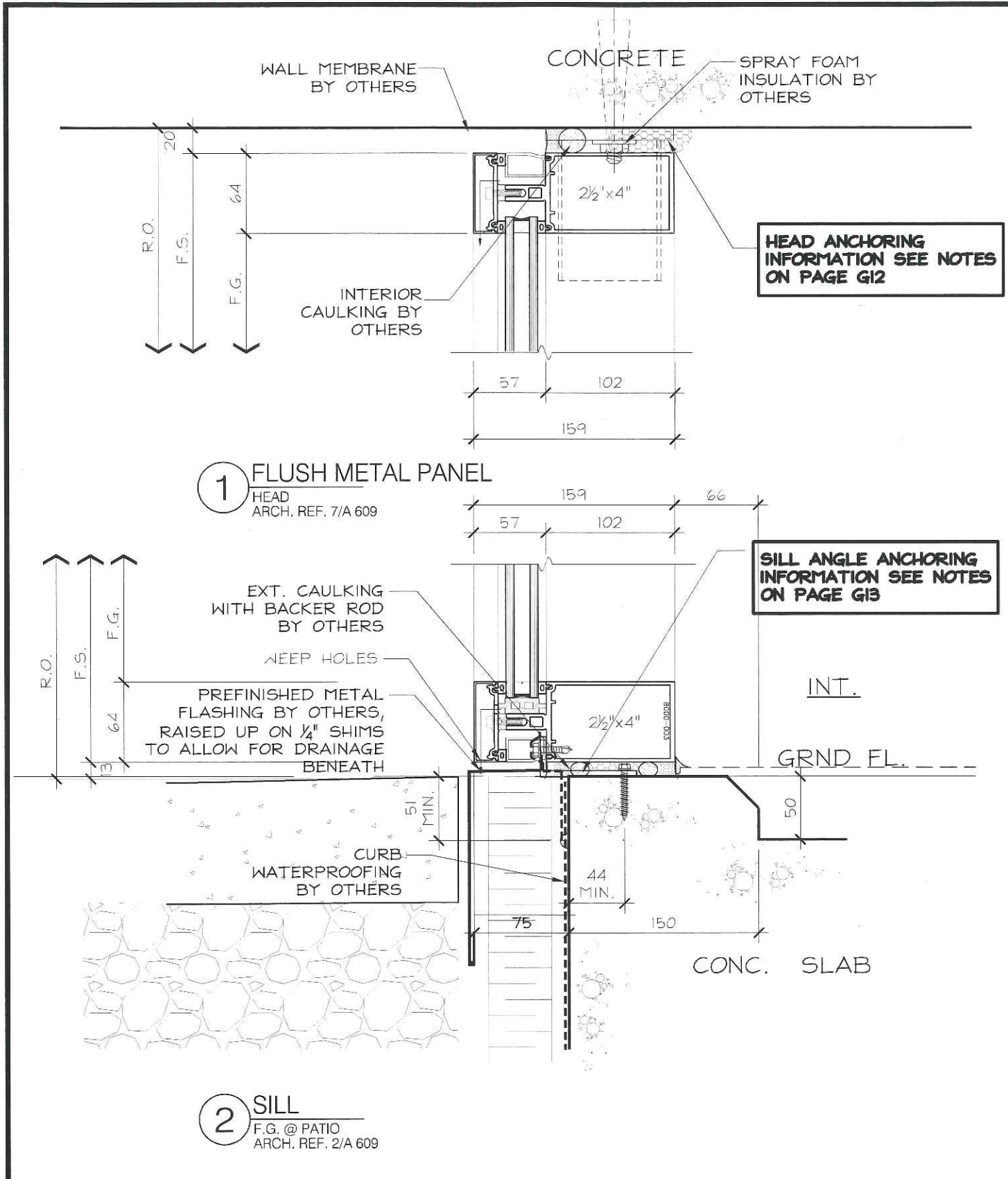


CONTRADICTION. SHOULD BE ALUMINUM?

TORO ALUMINUM
COMMERCIAL INDUSTRIAL RESIDENTIAL
330 APPLEWOOD CRESCENT TEL: (905) 738-5220
CONCORD, ON, CANADA FAX: (905) 738-5481
L4K 4V2 WWW.TOROALUMINUM.COM

No.	REVISION	BY	DATE

PROJECT NAME:	SQ ALEXANDRA PARK - BLOCK11		
DRAWING TITLE:	SECTION DETAILS		
ARCHITECT:	TEEPLE ARCHITECTS		DRAWING No.:
CONTRACTOR:	TRIDEL		S37
SCALE:	1:4	DRAWN BY:	S.C.
DATE:	MARCH 4, 2015		

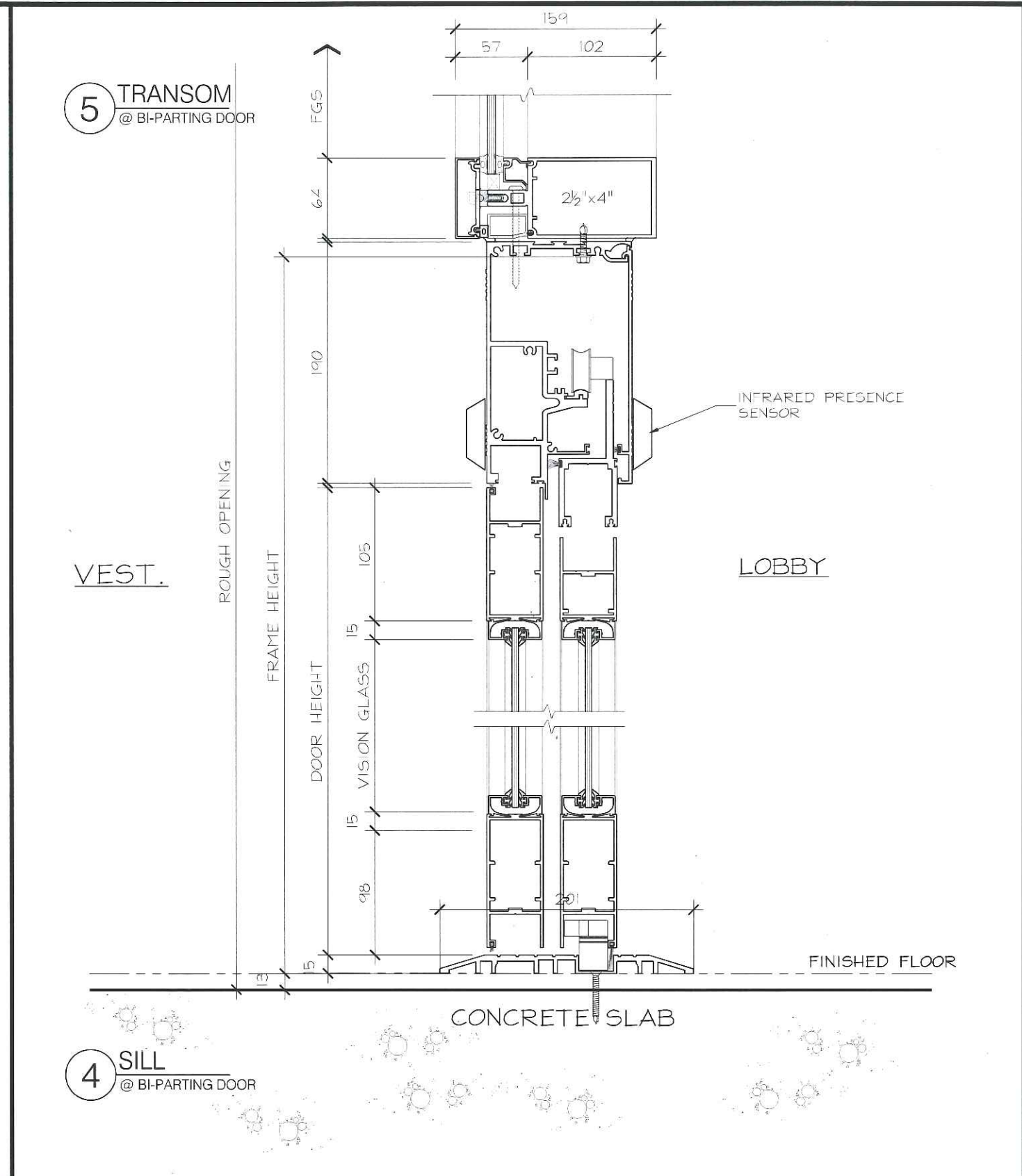
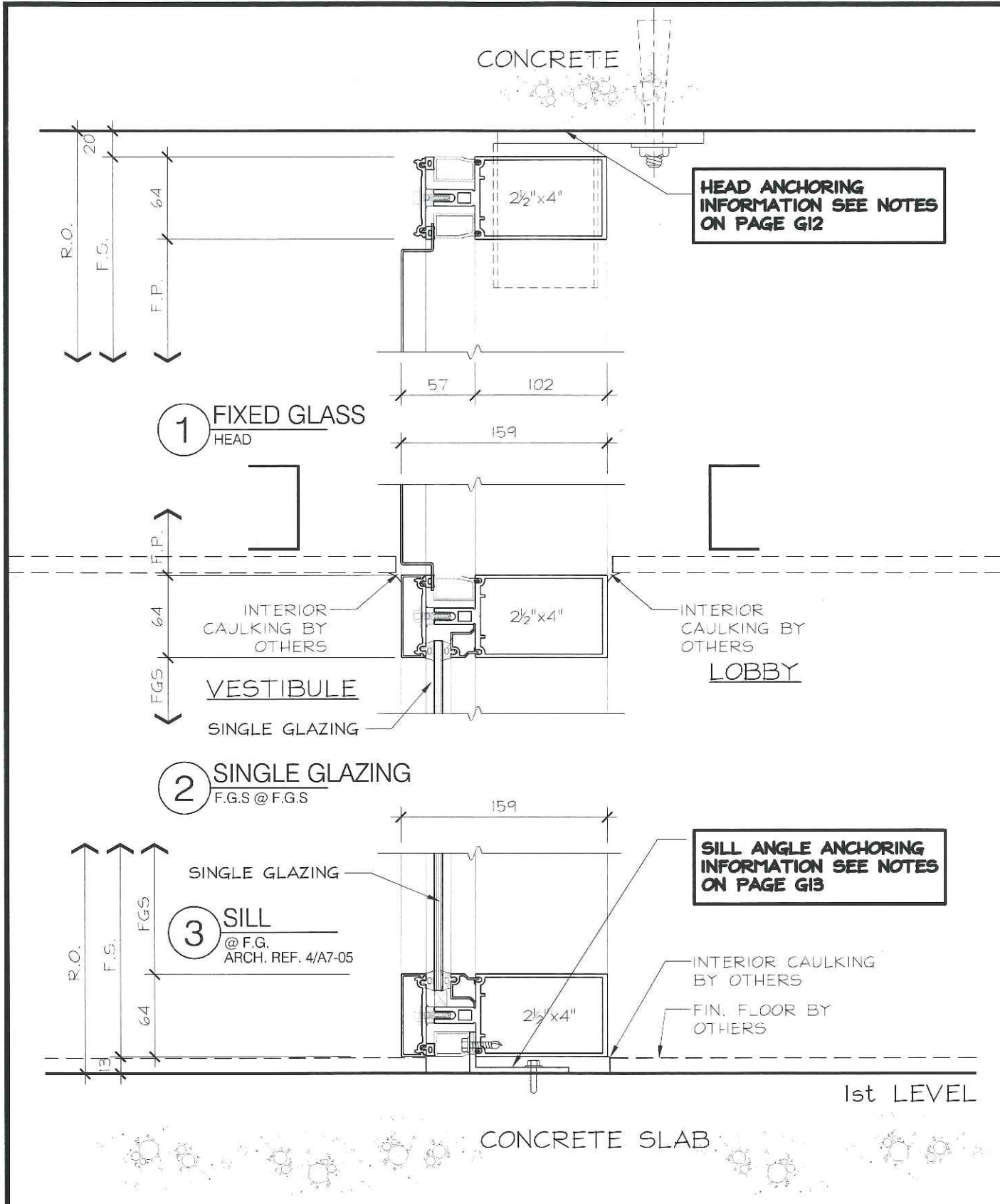


TORO ALUMINUM
COMMERCIAL INDUSTRIAL RESIDENTIAL
330 APPLEWOOD CRESCENT TEL: (905) 738-5220
CONCORD, ON, CANADA FAX: (905) 738-5481
L4K 4V2 WWW.TOROALUMINUM.COM

LICENSED PROFESSIONAL ENGINEER
06-27-15
D.T. PROHASKA
3754901
PROVINCE OF ONTARIO

No.	REVISION	BY	DATE

PROJECT NAME:	SQ ALEXANDRA PARK - BLOCK11		
DRAWING TITLE:	SECTION DETAILS		
ARCHITECT:	TEEPLE ARCHITECTS		DRAWING No.:
CONTRACTOR:	TRIDEL		S38
SCALE:	1:4	DRAWN BY:	S.C.
DATE:	MARCH 4, 2015		



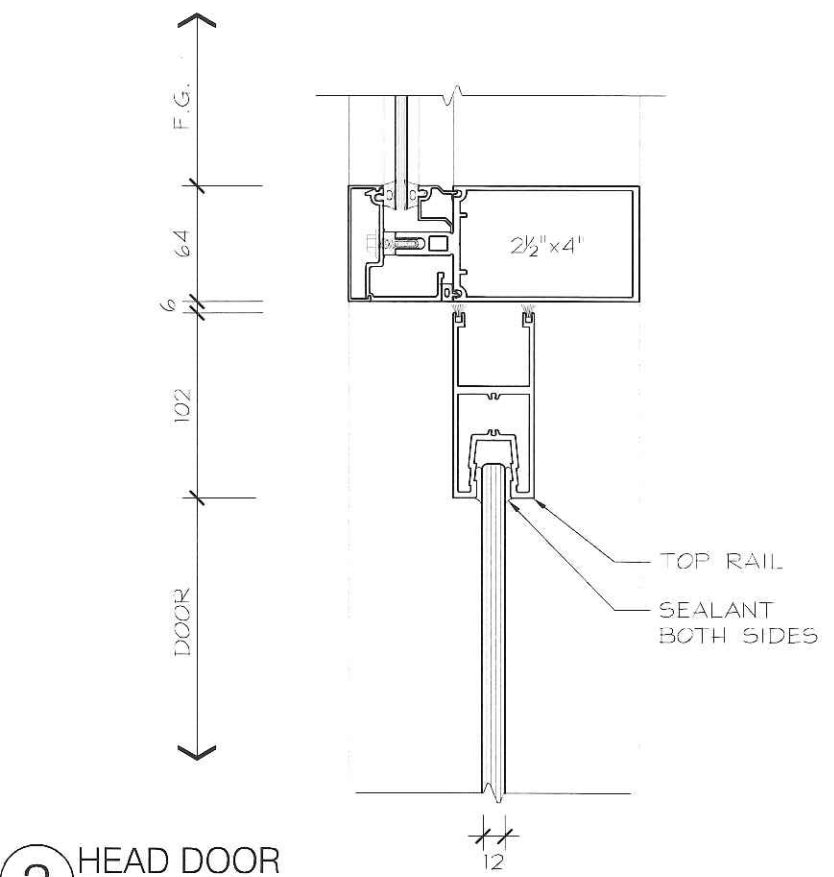
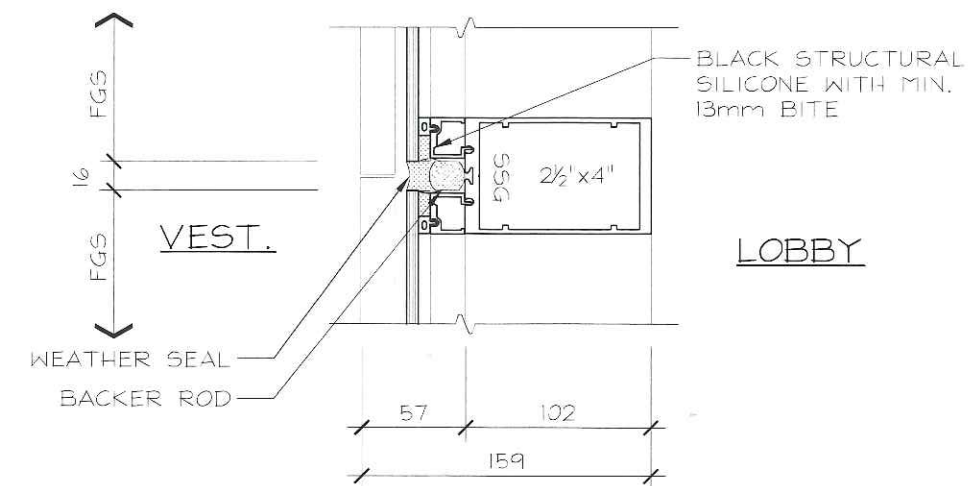
TORO ALUMINUM
 COMMERCIAL INDUSTRIAL RESIDENTIAL
 330 APPLEWOOD CRESCENT TEL: (905) 738-5220
 CONCORD, ON, CANADA FAX: (905) 738-5481
 L4K 4V2 WWW.TOROALUMINUM.COM

LICENSED PROFESSIONAL ENGINEER
 06-27-15
 D.T. PROHASKA
 3754901
 PROVINCE OF ONTARIO

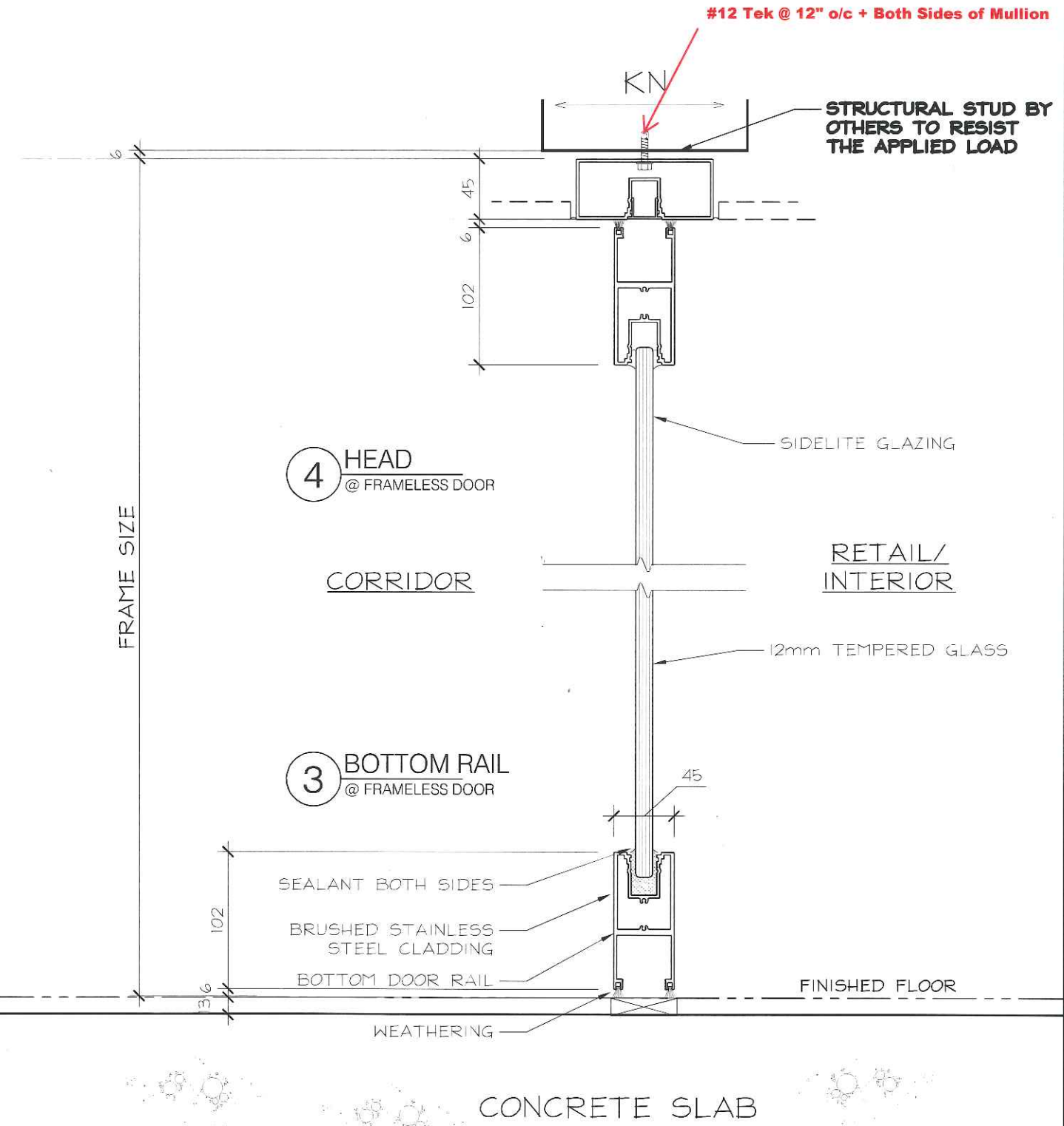
No.	REVISION	BY	DATE

PROJECT NAME:	SQ ALEXANDRA PARK - BLOCK11		
DRAWING TITLE:	SECTION DETAILS		
ARCHITECT:	TEEPLE ARCHITECTS		DRAWING No.:
CONTRACTOR:	TRIDEL		S39
SCALE:	1:4	DRAWN BY:	S.C.
DATE:	MARCH 4, 2015		

1 SINGLE GLAZING
F.G.S @ F.G.S

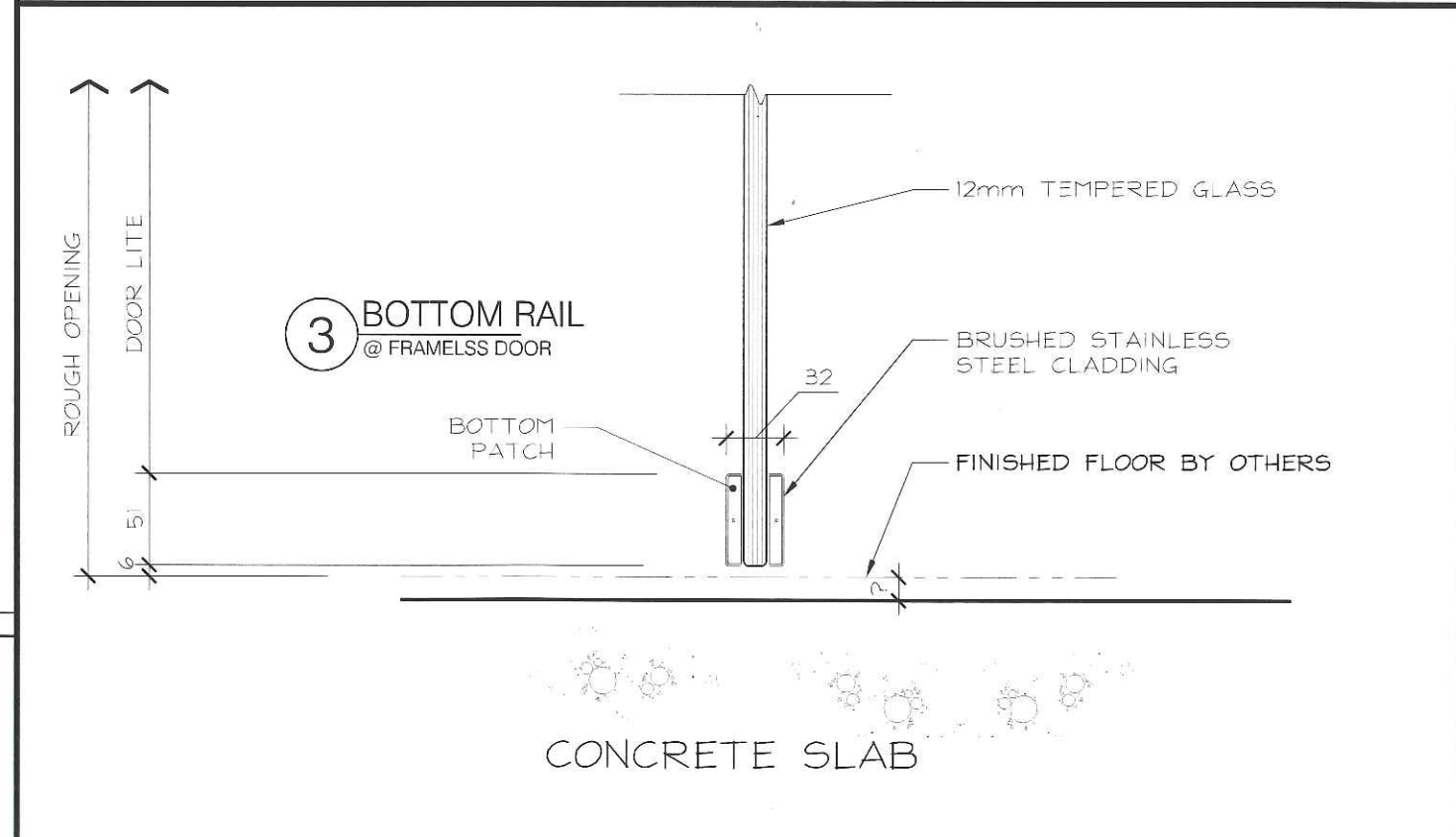
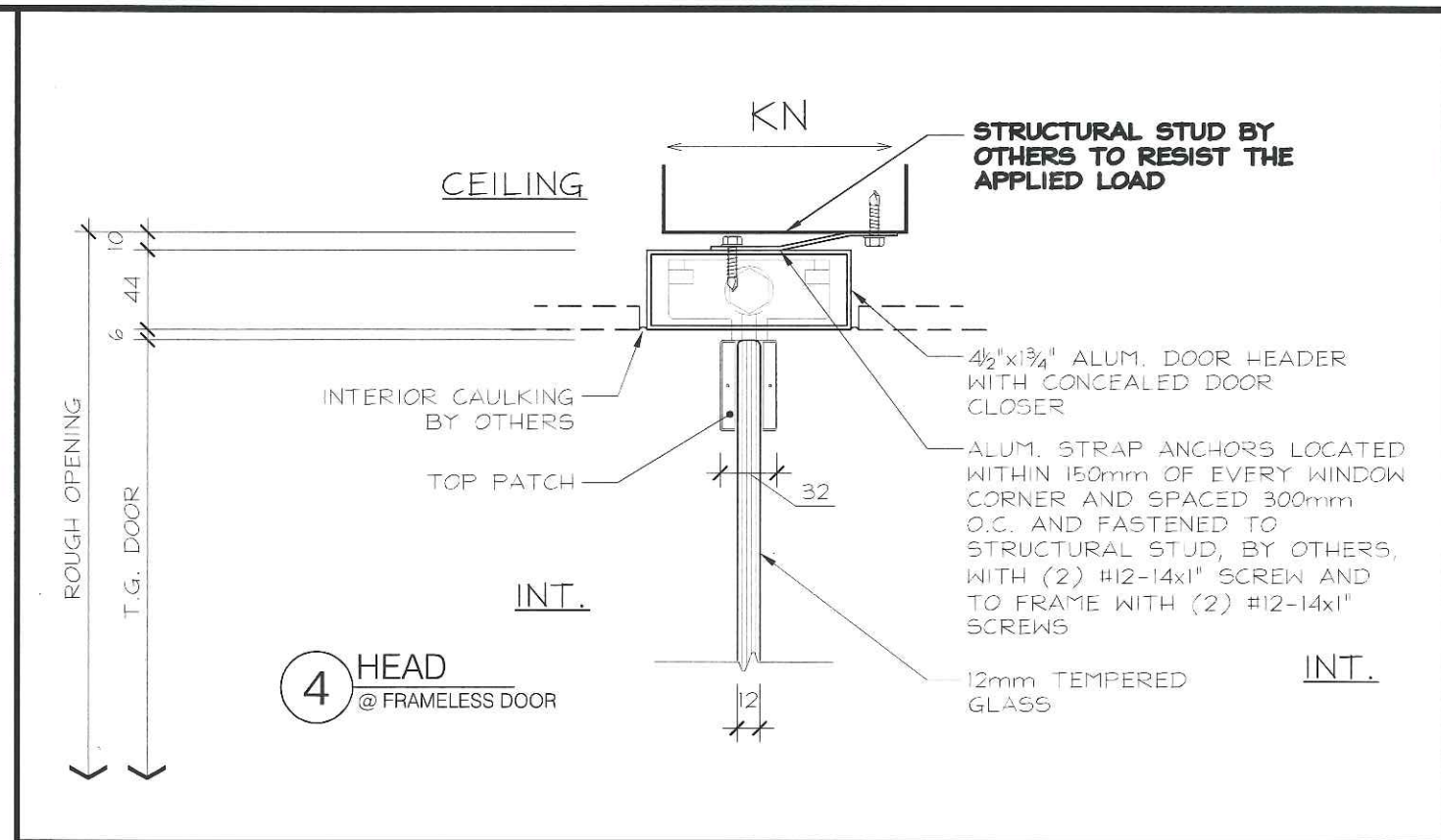
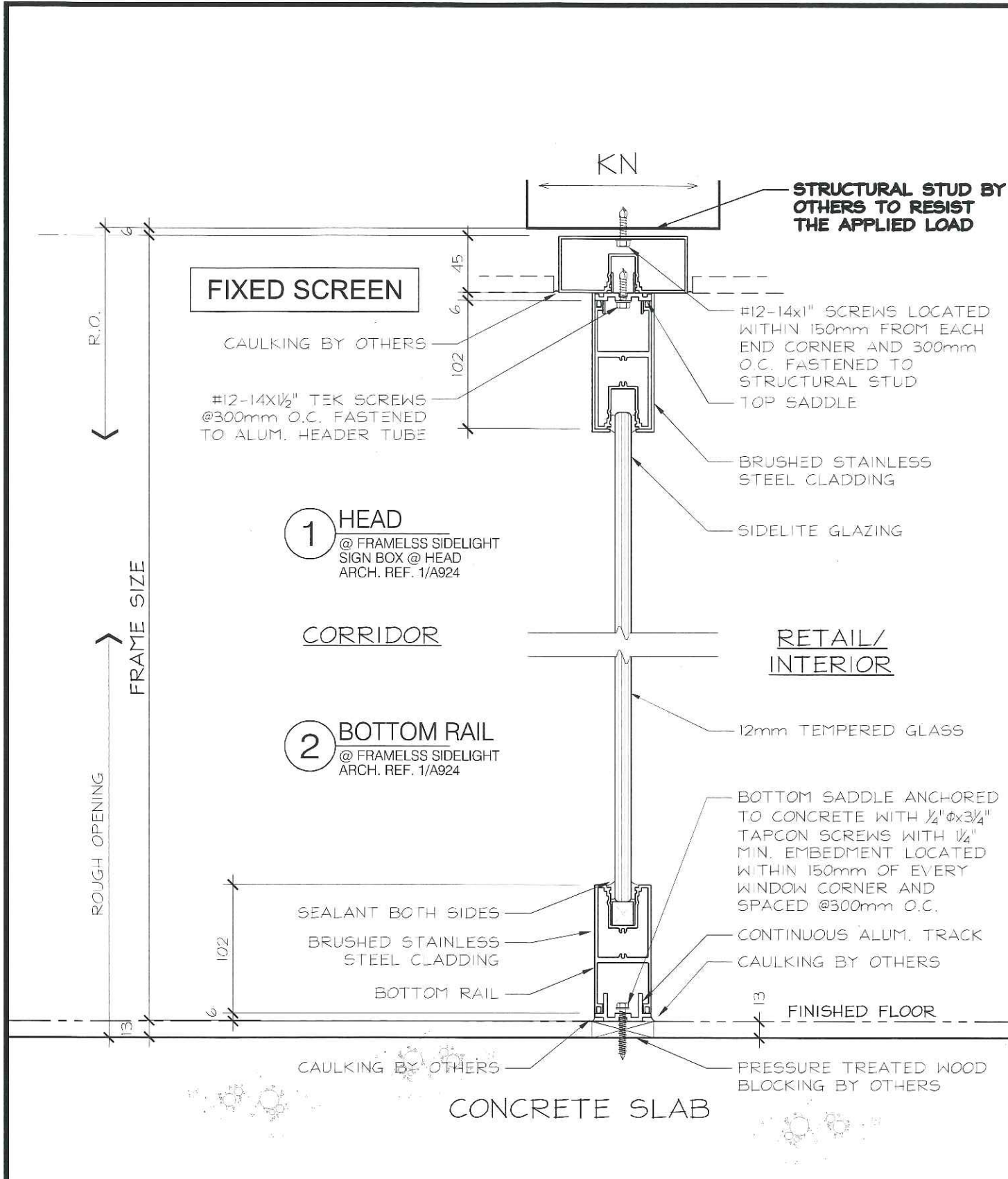


2 HEAD DOOR
@ FRAMELESS DOOR



No.	REVISION	BY	DATE

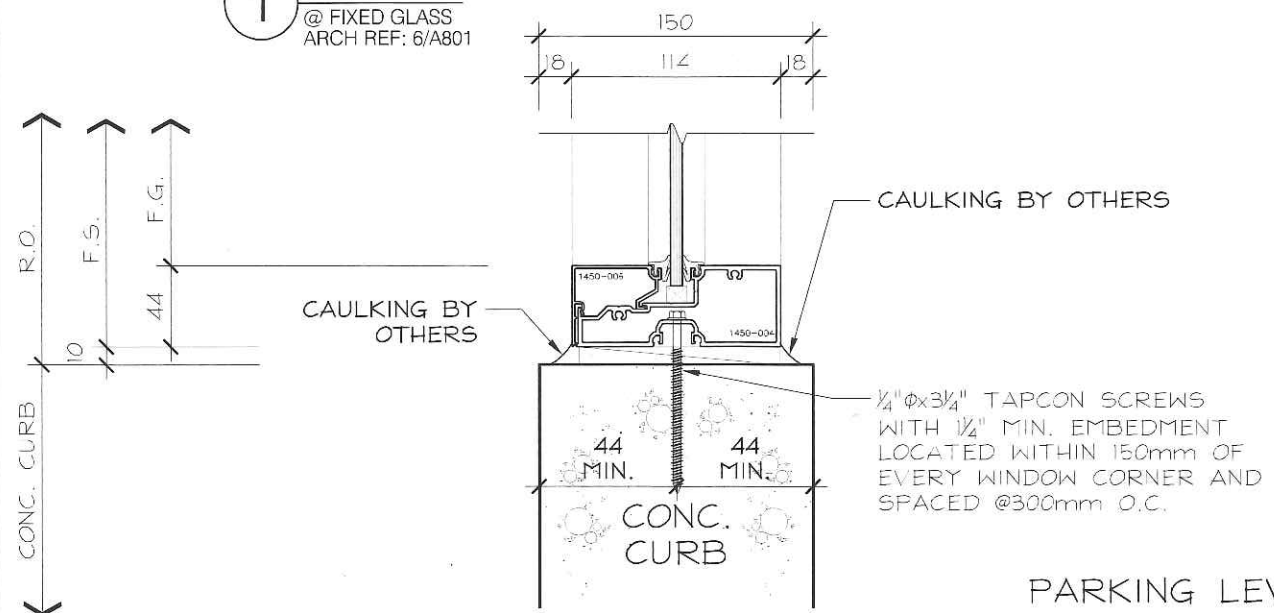
PROJECT NAME:	SQ ALEXANDRA PARK - BLOCK 11		
DRAWING TITLE:	SECTION DETAILS		
ARCHITECT:	TEEPLE ARCHITECTS		DRAWING No.:
CONTRACTOR:	TRIDEL		S40
SCALE:	1:4	DRAWN BY:	S.C.
DATE:		MARCH 4, 2015	



No.	REVISION	BY	DATE

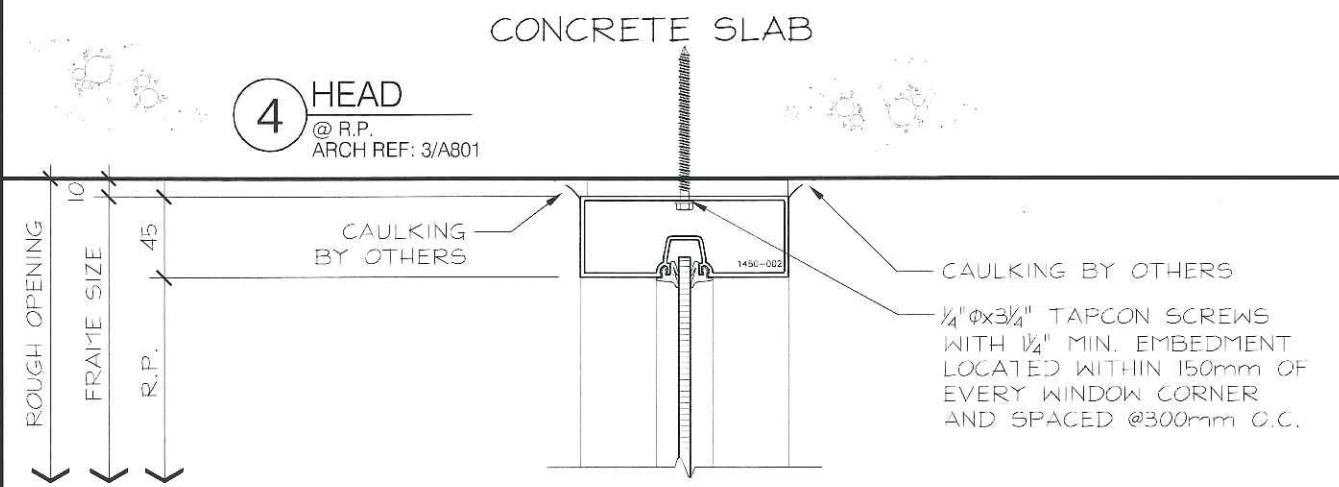
PROJECT NAME:	SQ ALEXANDRA PARK - BLOCK11		
DRAWING TITLE:	SECTION DETAILS		
ARCHITECT:	TEEPLE ARCHITECTS		DRAWING No.:
CONTRACTOR:	TRIDEL		S41
SCALE:	1:4	DRAWN BY:	S.C.
DATE:	MARCH 4, 2015		

1 SILL
@ FIXED GLASS
ARCH REF: 6/A801



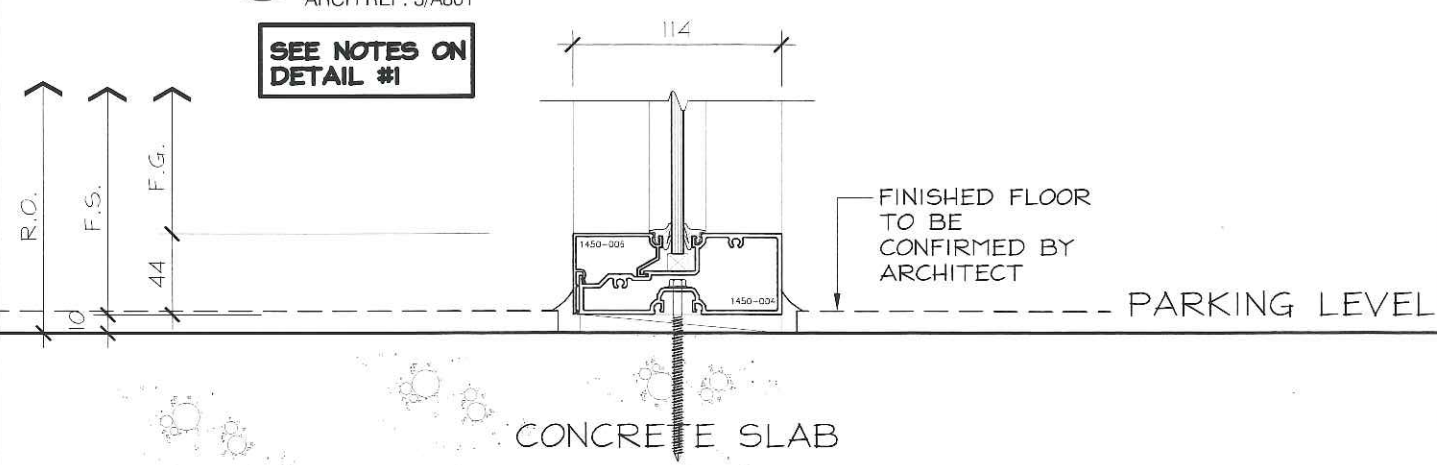
PARKING LEVEL 2

4 HEAD
@ R.P.
ARCH REF: 3/A801



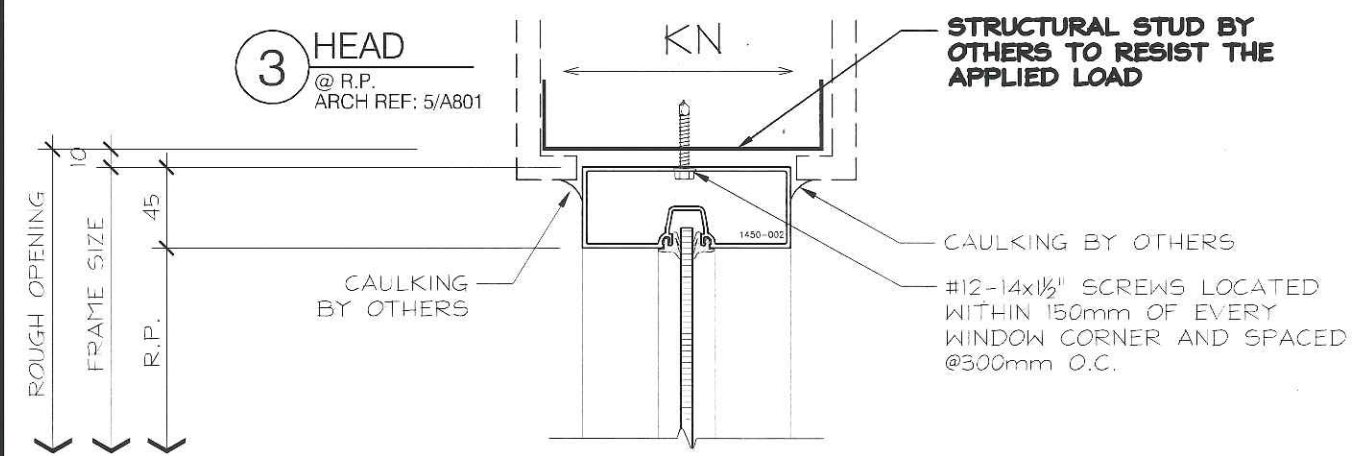
2 SILL
@ FIXED GLASS
ARCH REF: 3/A801

SEE NOTES ON
DETAIL #1



PARKING LEVEL

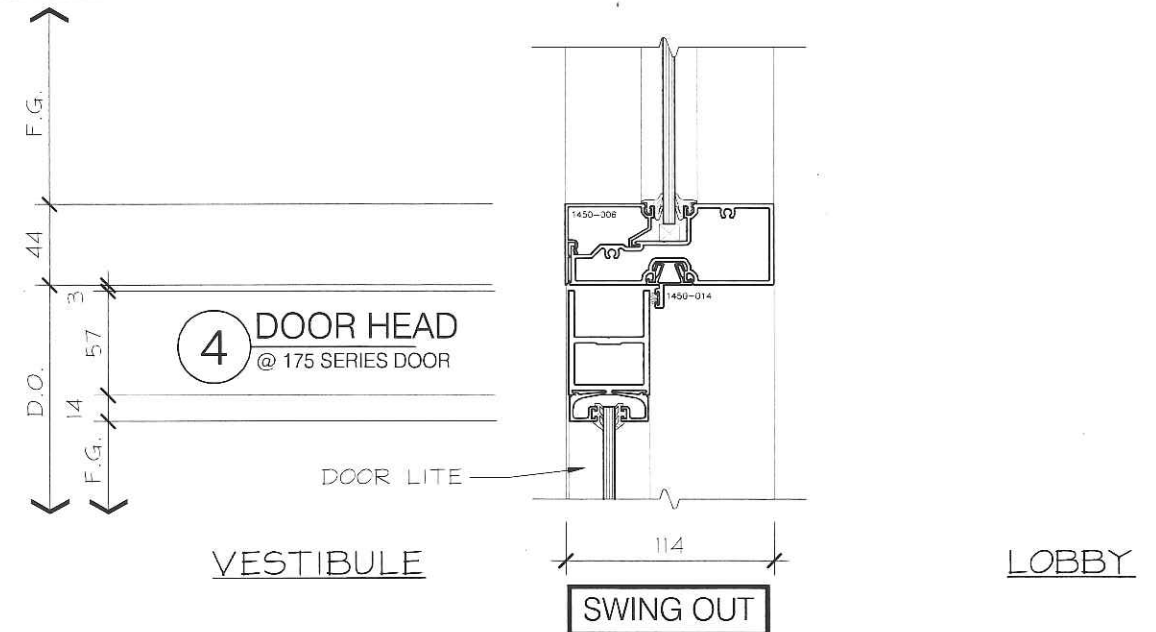
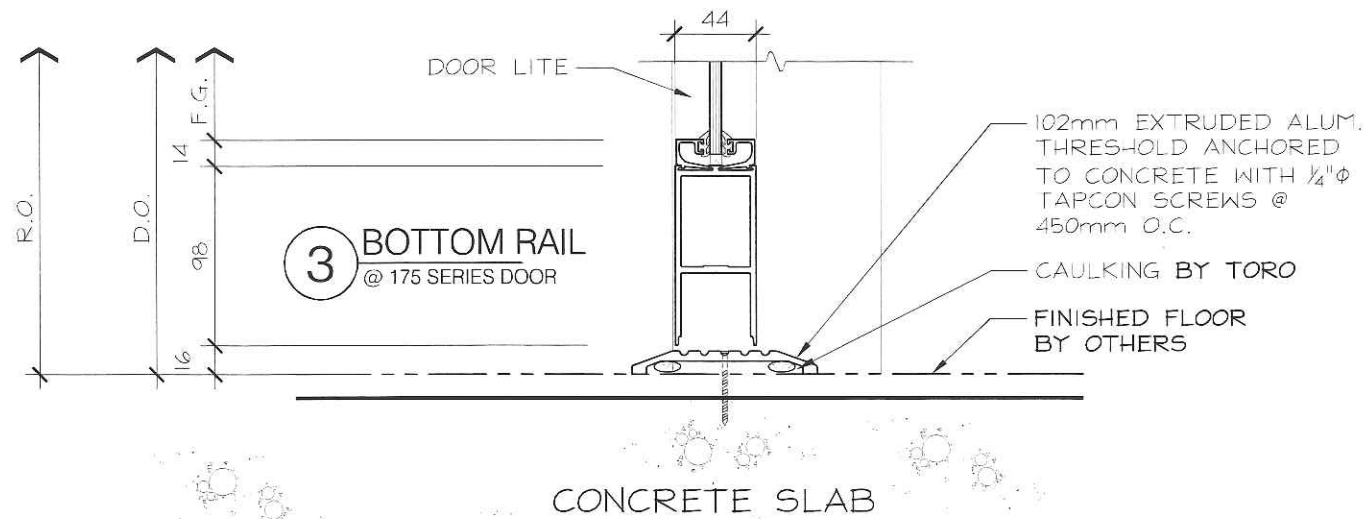
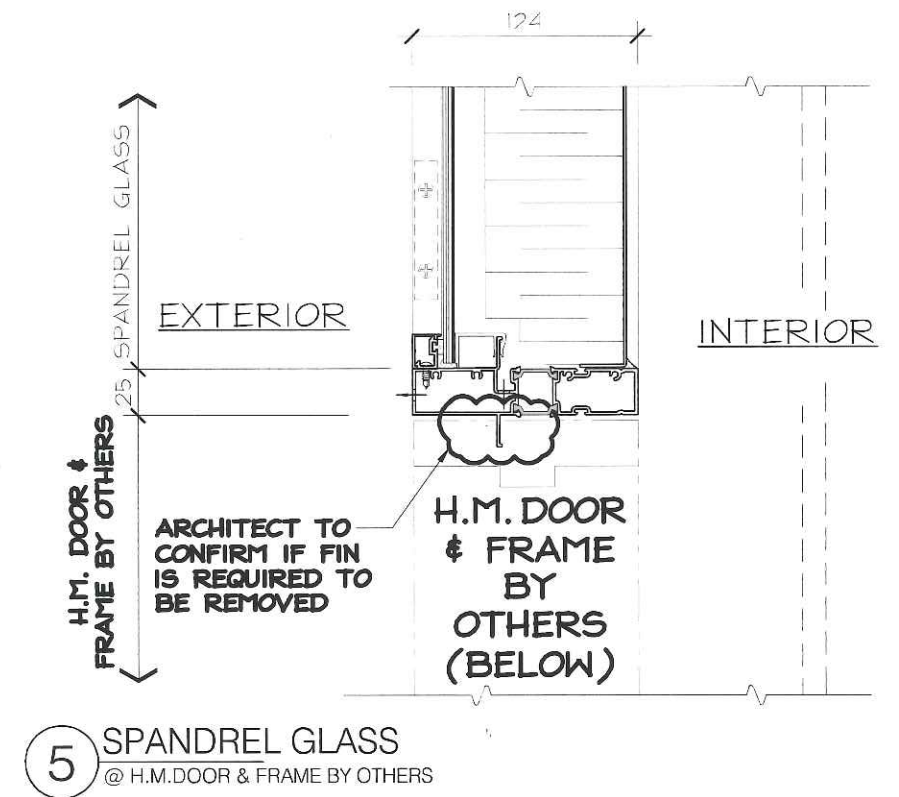
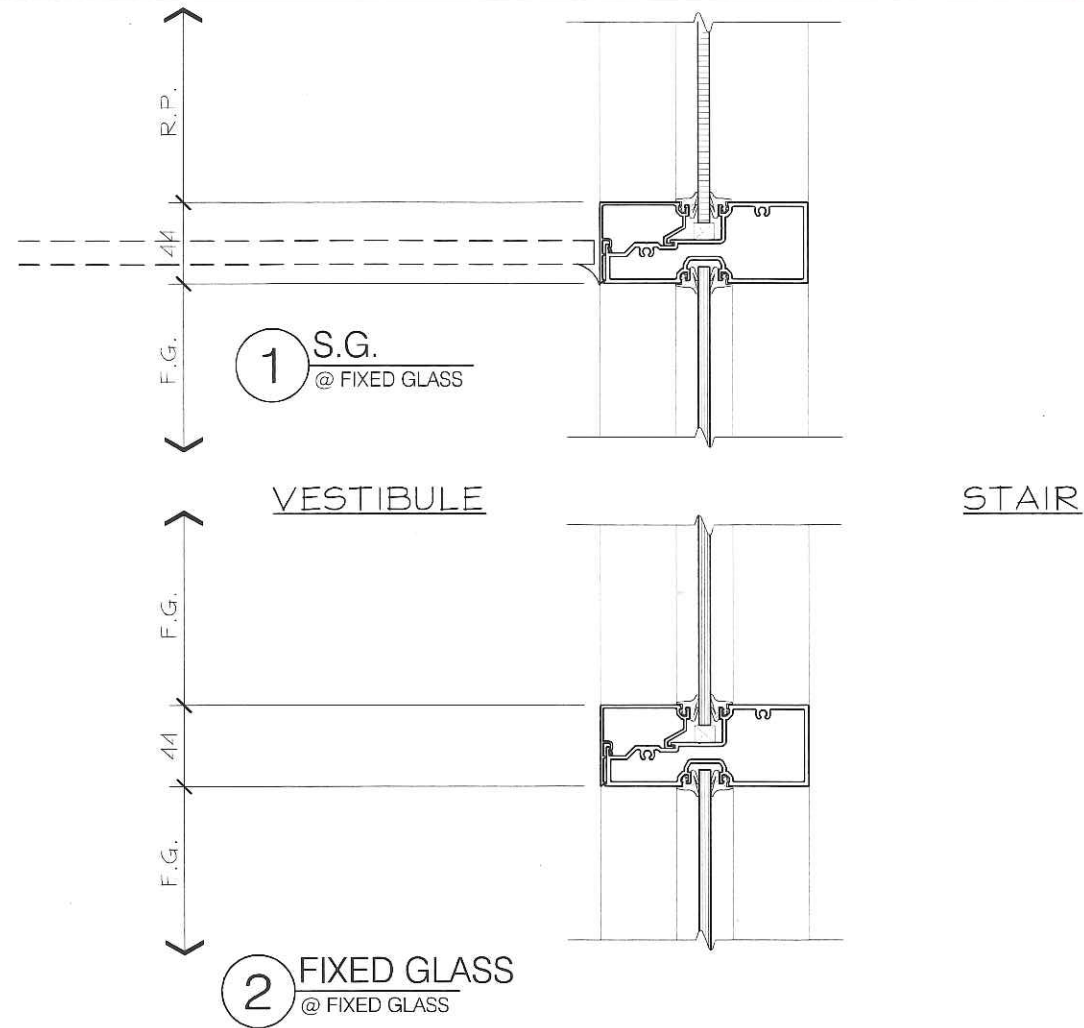
3 HEAD
@ R.P.
ARCH REF: 5/A801



No.	REVISION	BY	DATE

PROJECT NAME:	SQ ALEXANDRA PARK - BLOCK11
DRAWING TITLE:	SECTION DETAILS
ARCHITECT:	TEEPLE ARCHITECTS
CONTRACTOR:	TRIDEL
SCALE:	1:4
DRAWN BY:	S.C.
DATE:	MARCH 4, 2015

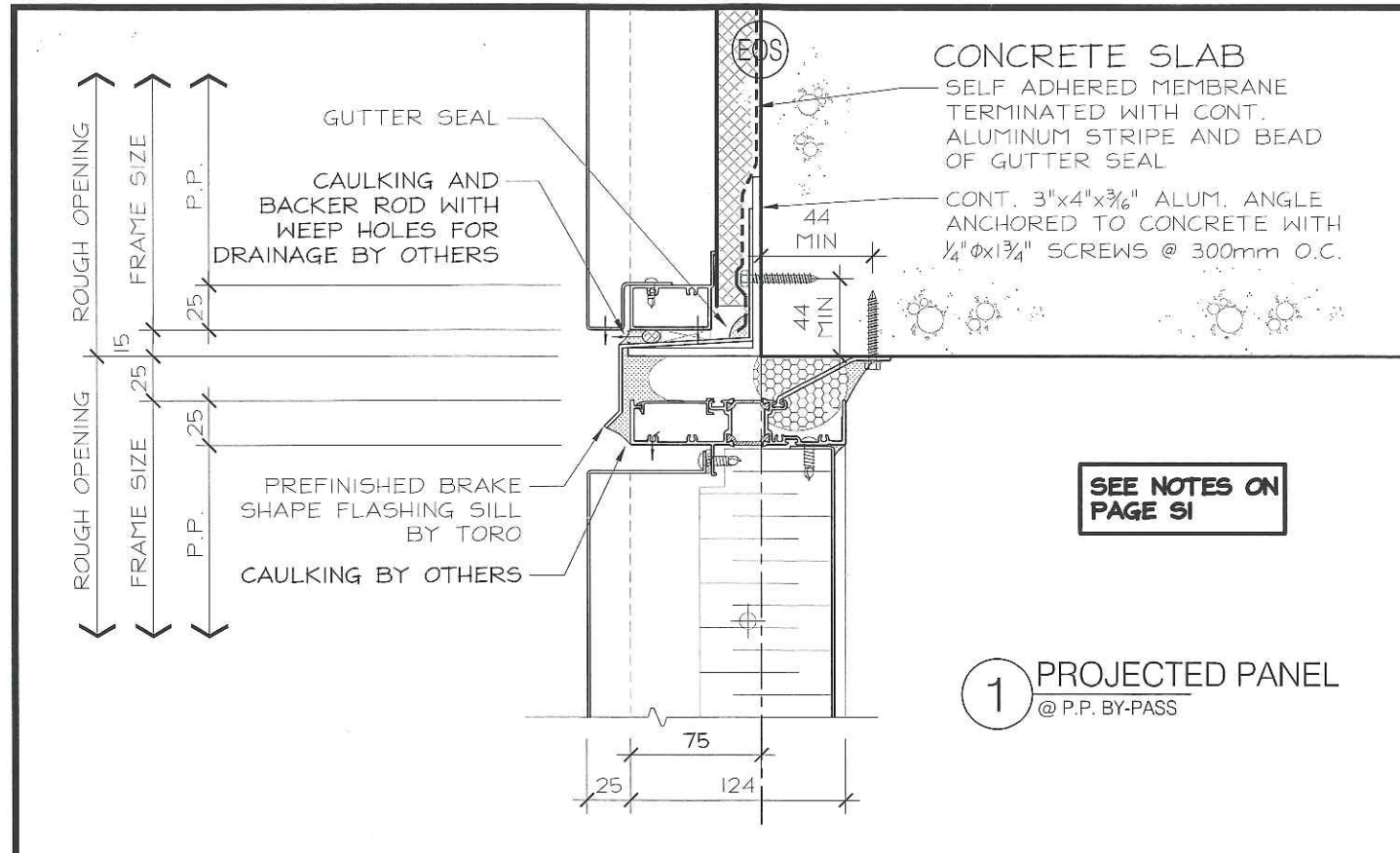
DRAWING No.:
S42



No.	REVISION	BY	DATE

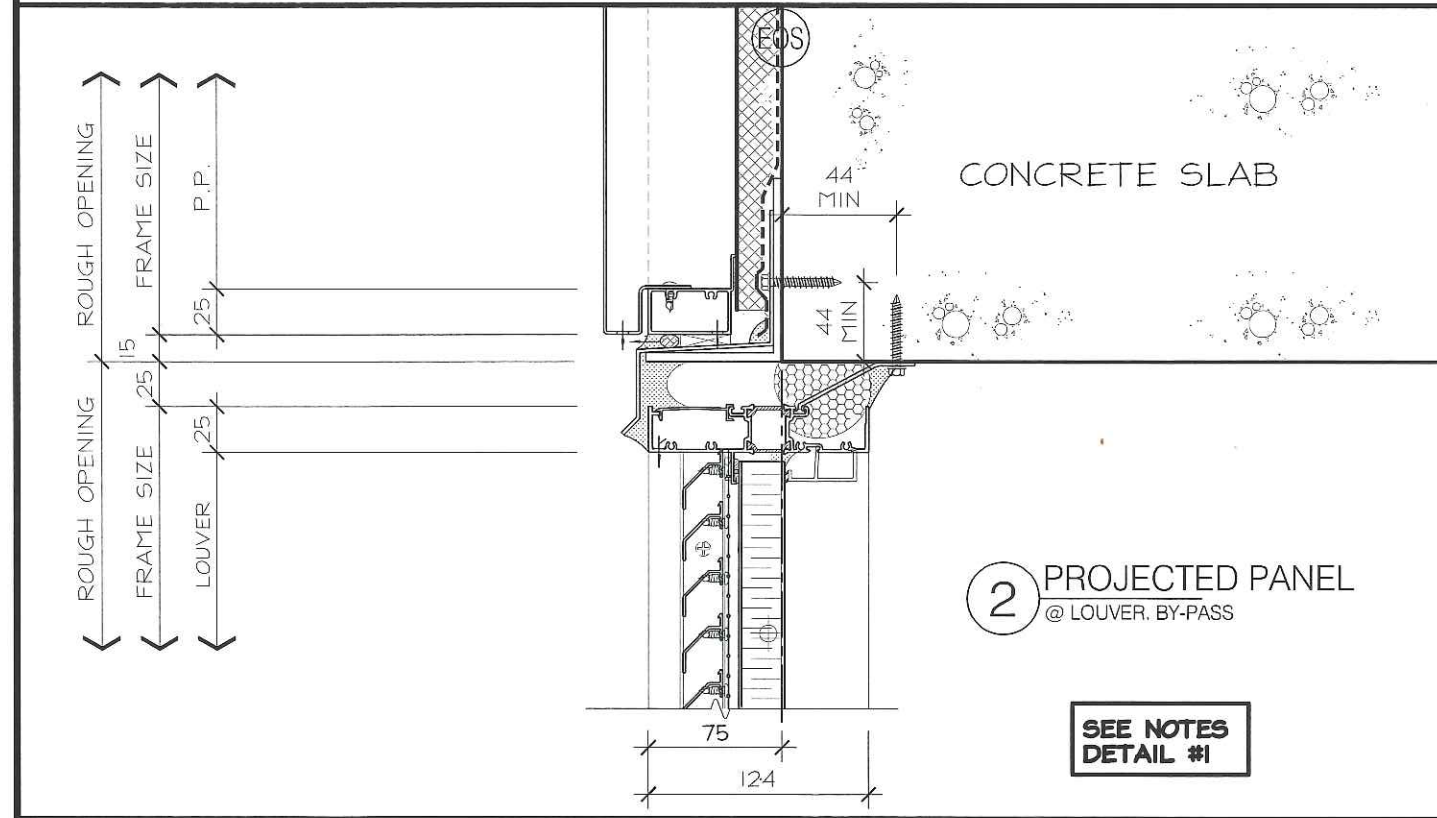
PROJECT NAME:	SQ ALEXANDRA PARK - BLOCK11		
DRAWING TITLE:	SECTION DETAILS		
ARCHITECT:	TEEPLE ARCHITECTS		
CONTRACTOR:	TRIDEL		
SCALE:	1:4	DRAWN BY:	S.C.
DATE:	MARCH 4, 2015		

DRAWING No.:
S43



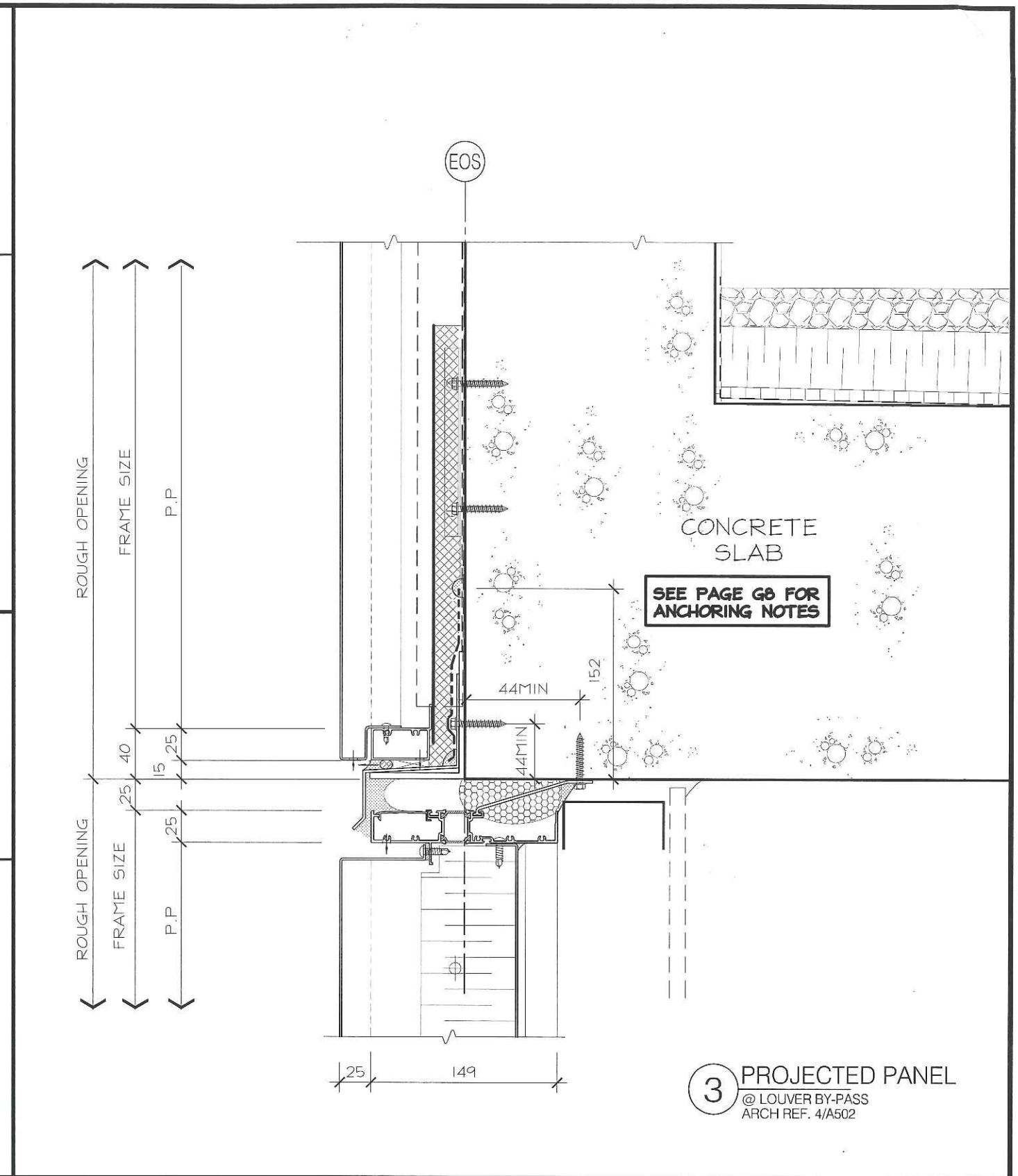
SEE NOTES ON PAGE S1

1 PROJECTED PANEL @ P.P. BY-PASS



SEE NOTES DETAIL #1

2 PROJECTED PANEL @ LOUVER BY-PASS



SEE PAGE G8 FOR ANCHORING NOTES

3 PROJECTED PANEL @ LOUVER BY-PASS ARCH REF. 4/A502



No.	REVISION	BY	DATE

PROJECT NAME: SQ ALEXANDRA PARK - BLOCK11		DRAWING No.:	
DRAWING TITLE: SECTION DETAILS		S44	
ARCHITECT: TEEPLE ARCHITECTS		DRAWN BY: S.C.	
CONTRACTOR: TRIDEL		DATE: MARCH 4, 2015	
SCALE: 1:4			