



Hammond Power Solutions Inc.



GUELPH, ONT. BARABOO, WI COMPTON, CA MONTERREY, MX

THREE PHASE DRY TYPE TRANSFORMER
TRANSFORMATEUR SEC TRIPHASE

HV/HT **600V**

BIL **-**

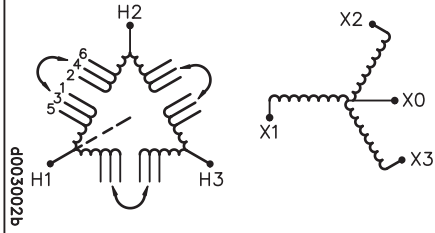
TERM. BORNES **H1 H2 H3**

VOLTS	CURRENT COURANT	% RATED VOLTAGE % TENSION NOMINALE	CONNECTION EACH PHASE CONNEXION PAR PHASE
630	412	105	1-2
615	422	102.5	2-3
600	433	100	3-4
585	444	97.5	4-5
570	456	95	5-6

LV/BT **208Y/120V, 1249A**

BIL **-**

TERM. BORNES **X0 X1 X2 X3**



Cust. Ref.

Serial No.

Part No. **NMK450PB**

kVA **450**

TYPE **N**

Cooling Refroidissement **ANN**

Temp. Rise Temp. Classe de Temp. **150 °C**

Temp. Class **220 °C**

Frequency **60 Hz**

Impédance % @ 170 °C **5.5**

Encl. Type Type de boîtier **NEMA-3R**

Wt LBS Poids en lbs. **2580**

Winding Enroulement **AL**

SPACINGS BETWEEN ENCLOSURE AND ADJACENT WALL SHALL BE A MINIMUM OF 1/8 INCHES. MEETS CSA C802.2/NEMA TP-1 EFFICIENCY REQUIREMENT.

NOVATREND ENGINEERING GROUP LTD.

REVIEW IS MADE ONLY TO VERIFY CONFORMITY WITH THE GENERAL DESIGN AND DOES NOT IMPLY APPROVAL OF THE DETAIL DESIGN INHERENT IN THE SHOP DRAWINGS, FOR INFORMATION RELATING SOLELY TO FABRICATION PROCESSES & CONSTRUCTION TECHNIQUES AND FOR MEETING ALL CONTRACTUAL REQUIREMENTS INCLUDING COORDINATION OF FIELD DIMENSIONS & COORDINATION OF THE WORK OF ALL HIS SUBCONTRACTORS.

REVIEWED REVIEWED AS NOTED
 REVISE & RESUBMIT REJECTED

Kevin Chen 2015-03-26
 REVIEWED BY DATE

JAY ELECTRIC LIMITED

Reviewed
 Reviewed as noted
 Resubmit

DATE **Mar. 11, 2015** REVIEWED BY **Gary R Beer**

Provide all ground lugs, phase lugs, vibration pads and sprinkler drip shields as per Jay Electric Limited BOM.



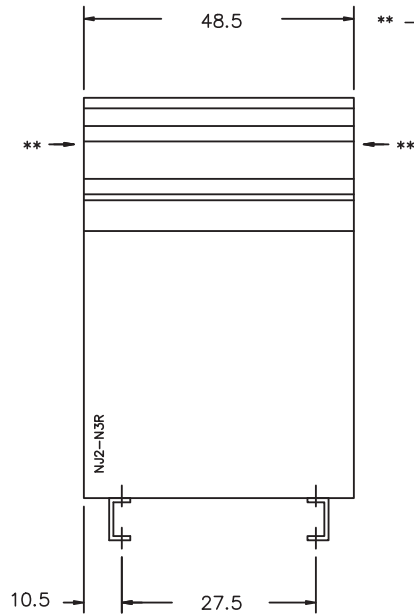
TITLE: 3PH DISTRIBUTION TRANSFORMER NAMEPLATE INFORMATION

1	07/04/26	AS	DESIGN REVISED	DES: ASETH
				DATE: 06/01/10
NO.	DATE	BY	REVISION	SCALE: NTS

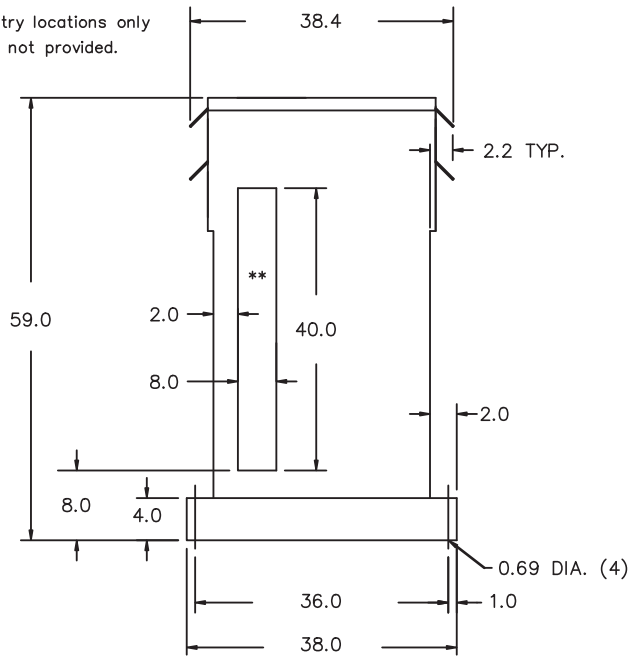
SHEET 1 OF 2
 EDBNMK450PB
 1.0 j.wen 2008/01/03 22:35

FRONT VIEW

SIDE VIEW



** - Recommended cable entry locations only cutouts & gland plates not provided.

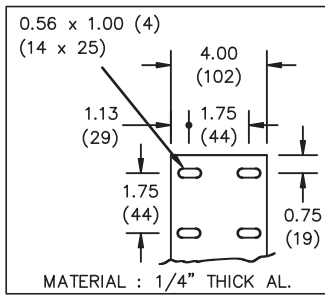
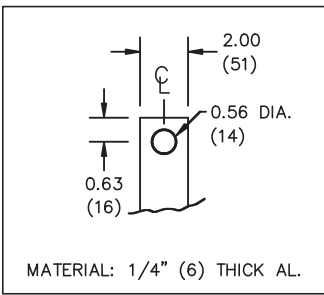


All Dimensions in inches

ENCLOSURE COLOR : ANSI 61 GREY - OUTDOOR

H.V.1. TERMINAL DETAIL

L.V.1. TERMINAL DETAIL



Provide 3 x 250 mcm step-lugs per phase on Primary of transformer.

Provide 4 x 750 mcm step-lugs per phase & Neutral on secondary of transformer.

CUSTOMER NOTES:

- HV1 TERMINATED AT TOP FRONT
- LV1 TERMINATED AT BOTTOM FRONT

JAY ELECTRIC LIMITED

- Reviewed
- Reviewed as noted
- Resubmit

DATE: Mar. 11, 2015 REVIEWED BY: Gary R Beer



TITLE: 3PH DISTRIBUTION TRANSFORMER MECHANICAL INFORMATION

1	07/04/26	AS	DESIGN REVISED	DES: ASETH
				DATE: 06/01/10
NO.	DATE	BY	REVISION	SCALE: NTS

SHEET 2 OF 2

EDBNMK450PB

1.0 jwen 2008/01/03 22:35



Hammond Power Solutions Inc.
GUELPH, ONT. BARABOO, WI COMPTON, CA MONTERREY, MX

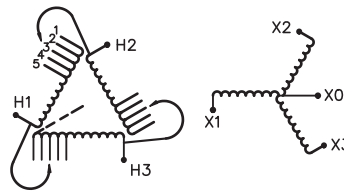


HPS SENTINEL
ENERGY EFFICIENT GENERAL PURPOSE DISTRIBUTION ISOLATION TRANSFORMER

HV/HT	600V			Cust. Ref.	
BIL	-			Réf. du client	
TERM. BORNES	H1 H2 H3			Serial No.	
				No. de série	
				Part No.	NMK075PB
				No. de pièce	
				Phase	3
				TYPE	K
				Cooling	ANN
				Refroidissement	
				kVA	75
				Temp. Rise	150 °C
				Echauffement	
				Temp. Class	220 °C
				Classe de Temp.	
				Frequency	60 Hz
				Fréquence	
				Impédance %	6.3
				@ 170 °C	
				Encl. Type	3R
				Type de boîtier	
				Wt LBS	555
				Poids en lbs.	
				Winding	AL
				Enroulement	
				Energy Regulations	DOE 10 CFR PART 431
				Reglements de Energetique	CEE ACT SOR/94/651

VOLTS	CURRENT COURANT	% RATED VOLTAGE % TENSION NOMINALE	CONNECTION EACH PHASE CONNEXION PAR PHASE
630	68.7	105	1
615	70.4	102.5	2
600	72.2	100	3
585	74.0	97.5	4
570	76.0	95	5

LV/BT	208Y/120V		
BIL	-		
TERM. BORNES	X0 X1 X2 X3		



ALSO VERIFIED IN ACCORDANCE TO ENERGY STANDARD C802.2-06 BY UNDERWRITERS LABORATORIES INC. © 3VJ6

SPACINGS BETWEEN ENCLOSURE AND ANY ADJACENT WALL SHALL BE A MINIMUM OF 5 INCHES

0000082NB

DO NOT INSTALL IN AREAS ACCESSIBLE TO PUBLIC
NE PAS INSTALLER DANS DES ENDROITS ACCESSIBLES AU PUBLIC

JAY ELECTRIC LIMITED	
<input checked="" type="checkbox"/> Reviewed	
<input type="checkbox"/> Reviewed as noted	
<input type="checkbox"/> Resubmit	
DATE	REVIEWED BY
Mar. 11, 2015	Gary R Beer

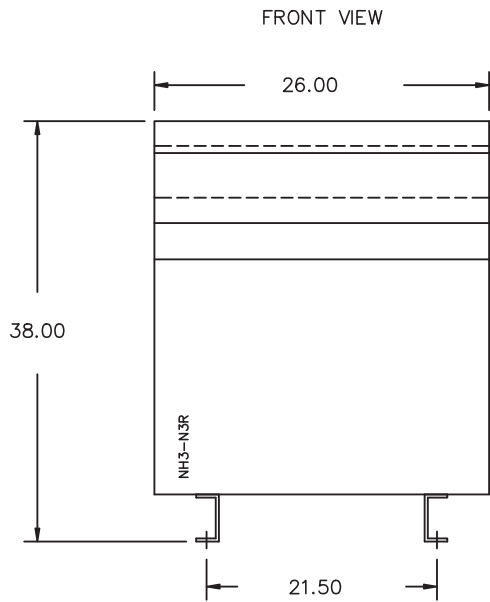


Provide all ground lugs, phase lugs, vibration pads and sprinkler drip shields as per Jay Electric Limited BOM.

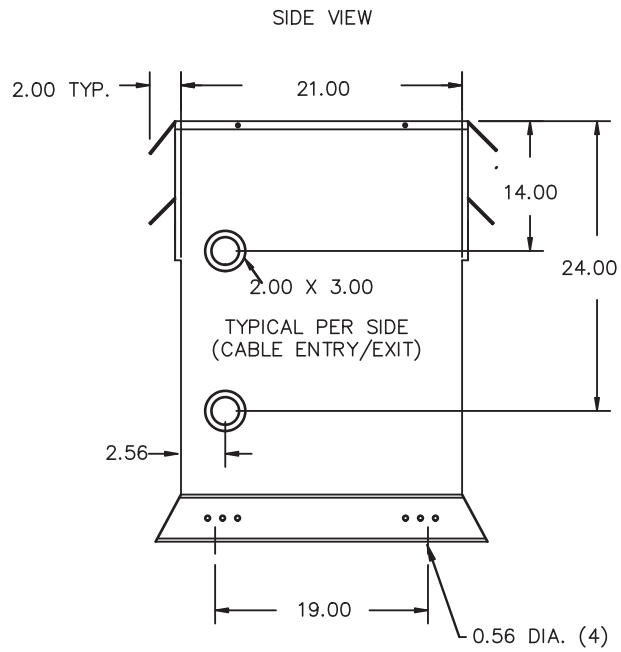


TITLE: 3PH DISTRIBUTION TRANSFORMER NAMEPLATE INFORMATION			
NO.	DATE	BY	REVISION
			DES: LRIOLA
			DATE: 03/04/22
			SCALE: NTS

SHEET 1 OF 2
EDBNMK075PB
0.5 messam 2014/01/22 10:18



All Dimensions in inches



ENCLOSURE COLOR :ANSI 61 GREY- OUTDOOR

H.V.1. TERMINAL DETAIL

L.V.1. TERMINAL DETAIL

MECHANICAL TYPE LUGS INCLUDED
SUITABLE FOR #2/0-14 CU/AL
CONDUCTORS
1 CONDUCTOR PER PHASE

MECHANICAL TYPE LUGS INCLUDED
SUITABLE FOR 600MCM-2 CU/AL
CONDUCTORS
1 CONDUCTOR PER PHASE

CUSTOMER NOTES:

- HV1 TERMINATED AT TOP FRONT
- LV1 TERMINATED AT BOTTOM FRONT

JAY ELECTRIC LIMITED	
<input checked="" type="checkbox"/> Reviewed <input type="checkbox"/> Reviewed as noted <input type="checkbox"/> Resubmit	
DATE	REVIEWED BY
Mar. 11, 2015	<i>Gary R Beer</i>



TITLE: 3PH DISTRIBUTION TRANSFORMER

					DES: LRIOLA
					DATE: 03/04/22
NO.	DATE	BY	REVISION		SCALE: NTS

SHEET 2 OF 2

EDBNMK075PB

0.5 mscarm 2014/10/22 10:18



Hammond Power Solutions Inc.

GUELPH, ONT. BARABOO, WI COMPTON, CA MONTERREY, MX

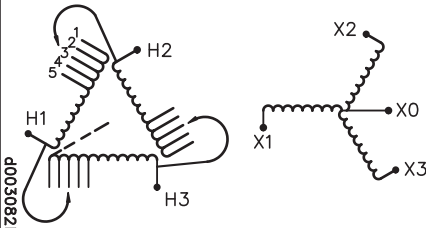


THREE PHASE DRY TYPE TRANSFORMER
TRANSFORMATEUR SEC TRIPHASE

HV/HT	600V				Cust. Ref.	
BIL	-				Réf. du client	
TERM. BORNES	H1 H2 H3				Serial No.	
					No. de série	
					Part No.	NMK045PB
					No. de pièce	
					kVA	45
					TYPE	K
					Cooling	ANN
					Refroidissement	
					Temp. Rise	150 °C
					Echauffement	
					Temp. Class	220 °C
					Classe de Temp.	
					Frequency	60 Hz
					Fréquence	
					Impédance %	6.5
					@ 170 °C	
					Encl. Type	NEMA-3R
					Type de boîtier	
					Wt LBS	365
					Poids en lbs.	
					Winding	AL
					Enroulement	
					CSA	NEMA
					Energy Efficiency	C802.2-00
					Economie d'énergie	TP 1-2002

VOLTS	CURRENT COURANT	% RATED VOLTAGE % TENSION NOMINALE	CONNECTION EACH PHASE CONNEXION PAR PHASE
630	41.2	105	1
615	42.2	102.5	2
600	43.3	100	3
585	44.4	97.5	4
570	45.6	95	5

LV/BT	208Y/120V			
BIL	-			
TERM. BORNES	X0 X1 X2 X3			



SPACINGS BETWEEN ENCLOSURE AND ANY ADJACENT WALL SHALL BE A MINIMUM OF 6 INCHES



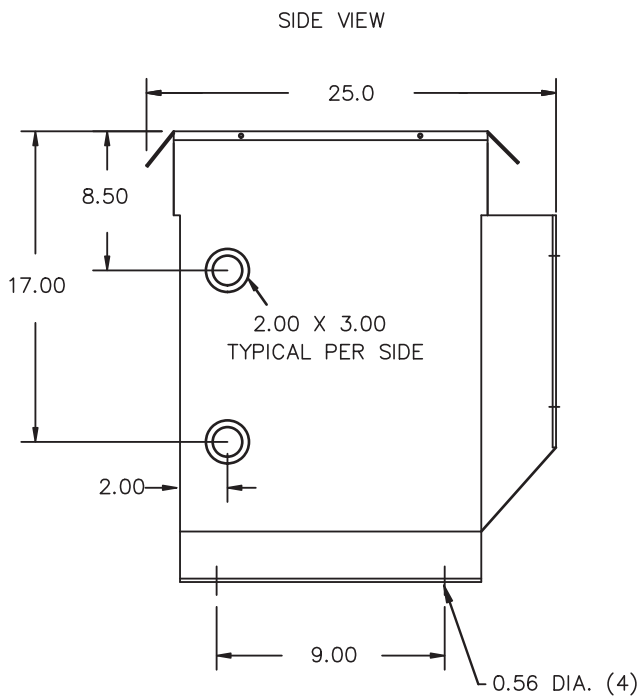
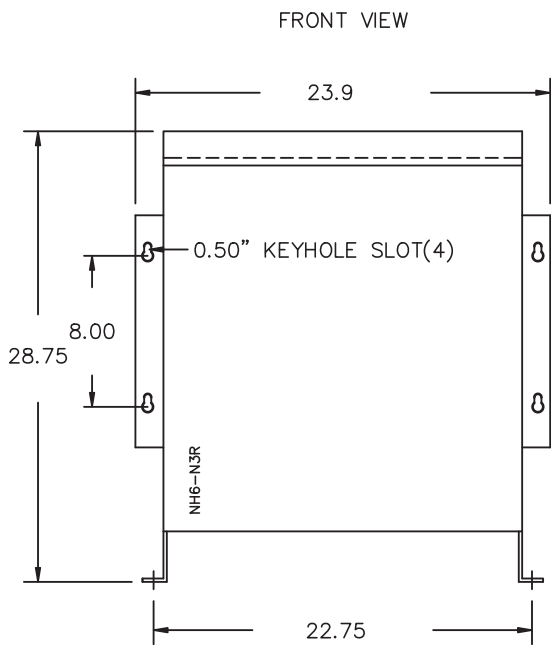
JAY ELECTRIC LIMITED	
<input checked="" type="checkbox"/>	Reviewed
<input checked="" type="checkbox"/>	Reviewed as noted
<input type="checkbox"/>	Resubmit
DATE	REVIEWED BY
Mar. 11, 2015	Sary R Beer

Provide all ground lugs, phase lugs, vibration pads and sprinkler drip shields as per Jay Electric Limited BOM.



TITLE: 3PH DISTRIBUTION TRANSFORMER NAMEPLATE INFORMATION			
			DES: MBURSAC
			DATE: 03/07/25
NO.	DATE	BY	REVISION
			SCALE: NTS

SHEET 1 OF 2
EDBNMK045PB



All Dimensions in inches

ENCLOSURE COLOR : ANSI 61 GREY – OUTDOOR

H.V.1. TERMINAL DETAIL

L.V.1. TERMINAL DETAIL

SUITABLE FOR #14-4 CU/AL
CONDUCTORS
1 CONDUCTOR PER PHASE

SUITABLE FOR 250MCM-6 CU/AL
CONDUCTORS
1 CONDUCTOR PER PHASE

CUSTOMER NOTES:

- HV1 TERMINATED AT TOP FRONT
- LV1 TERMINATED AT BOTTOM FRONT

JAY ELECTRIC LIMITED	
<input checked="" type="checkbox"/> Reviewed <input type="checkbox"/> Reviewed as noted <input type="checkbox"/> Resubmit	
DATE	REVIEWED BY
Mar. 11, 2015	<i>Gary R Beer</i>



Hammond Power Solutions Inc.

TITLE: 3PH DISTRIBUTION TRANSFORMER

				DES: MBURSAC
				DATE: 03/07/25
NO.	DATE	BY	REVISION	SCALE: NTS

SHEET 2 OF 2

EDBNMK045PB

0.4 jwen 2008/01/03 22:25



Hammond Power Solutions Inc.

GUELPH, ONT. BARABOO, WI COMPTON, CA MONTERREY, MX



DRY TYPE TRANSFORMER 7705 E112313

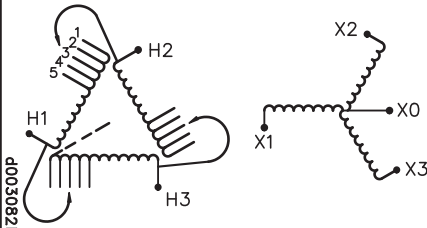
LISTED

THREE PHASE DRY TYPE TRANSFORMER
TRANSFORMATEUR SEC TRIPHASÉ

HV/HT	600V			Cust. Ref.	
BIL	-			Réf. du client	
TERM. BORNES	H1 H2 H3			Serial No.	
				No. de série	
				Part No.	NMK030PB
				No. de pièce	
				kVA	30
				TYPE	K
				Cooling	ANN
				Refroidissement	
				Temp. Rise	150 °C
				Echauffement	
				Temp. Class	220 °C
				Classe de Temp.	
				Frequency	60 Hz
				Fréquence	
				Impédance %	6.7
				@ 170 °C	
				Encl. Type	NEMA-3R
				Type de boîtier	
				Wt LBS	250
				Poids en lbs.	
				Winding	AL
				Enroulement	
				CSA	NEMA
				Energy Efficiency	C802.2-12
				Economie d'énergie	TP1-2002

VOLTS	CURRENT COURANT	% RATED VOLTAGE % TENSION NOMINALE	CONNECTION EACH PHASE CONNEXION PAR PHASE
630	27.5	105	1
615	28.2	102.5	2
600	28.9	100	3
585	29.6	97.5	4
570	30.4	95	5

LV/BT	208Y/120V		
BIL	-		
TERM. BORNES	X0 X1 X2 X3		



SPACINGS BETWEEN ANY VENTILATED ENCLOSURE PANEL AND ANY ADJACENT WALL SHALL BE A MINIMUM OF 3 INCHES



JAY ELECTRIC LIMITED	
<input checked="" type="checkbox"/>	Reviewed
<input checked="" type="checkbox"/>	Reviewed as noted
<input type="checkbox"/>	Resubmit
DATE	REVIEWED BY
Mar. 11, 2015	Gary R Beer

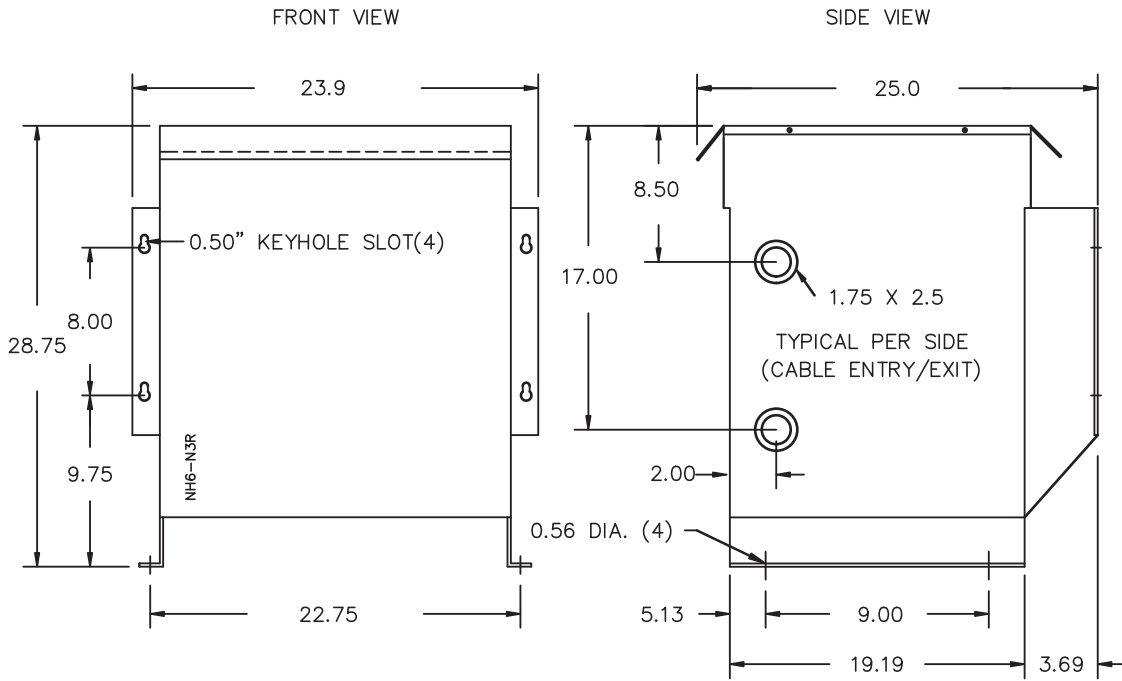
Provide all ground lugs, phase lugs, vibration pads and sprinkler drip shields as per Jay Electric Limited BOM.



TITLE: 3PH DISTRIBUTION TRANSFORMER NAMEPLATE INFORMATION				
1	12/04/18	RM	CHANGED CORE_REF:	DES: MBURSAC
				DATE: 03/07/23
NO.	DATE	BY	REVISION	SCALE: NTS

SHEET 1 OF 2
EDBNMK030PB

1.1 Jwen 2013/02/16 17:15



All Dimensions in inches

ENCLOSURE COLOR : ANSI 61 GREY – OUTDOOR

H.V.1. TERMINAL DETAIL

L.V.1. TERMINAL DETAIL

MECHANICAL TYPE LUGS INCLUDED
SUITABLE FOR #2/0-6 CU/AL
CONDUCTORS
1 CONDUCTOR PER PHASE

MECHANICAL TYPE LUGS INCLUDED
SUITABLE FOR #2/0-6 CU/AL
CONDUCTORS
1 CONDUCTOR PER PHASE

CUSTOMER NOTES:

- HV1 TERMINATED AT TOP FRONT
- LV1 TERMINATED AT BOTTOM FRONT

JAY ELECTRIC LIMITED	
<input checked="" type="checkbox"/> Reviewed <input type="checkbox"/> Reviewed as noted <input type="checkbox"/> Resubmit	
DATE	REVIEWED BY
Mar. 11, 2015	<i>Gary R Beer</i>



TITLE: 3PH DISTRIBUTION TRANSFORMER				
1	12/04/18	RM	CHANGED CORE_REF:	DES: MBURSAC
				DATE: 03/07/23
NO.	DATE	BY	REVISION	SCALE: NTS

SHEET 2 OF 2

EDBNMK030PB

1.1 Jwen 2013/02/16 17:15