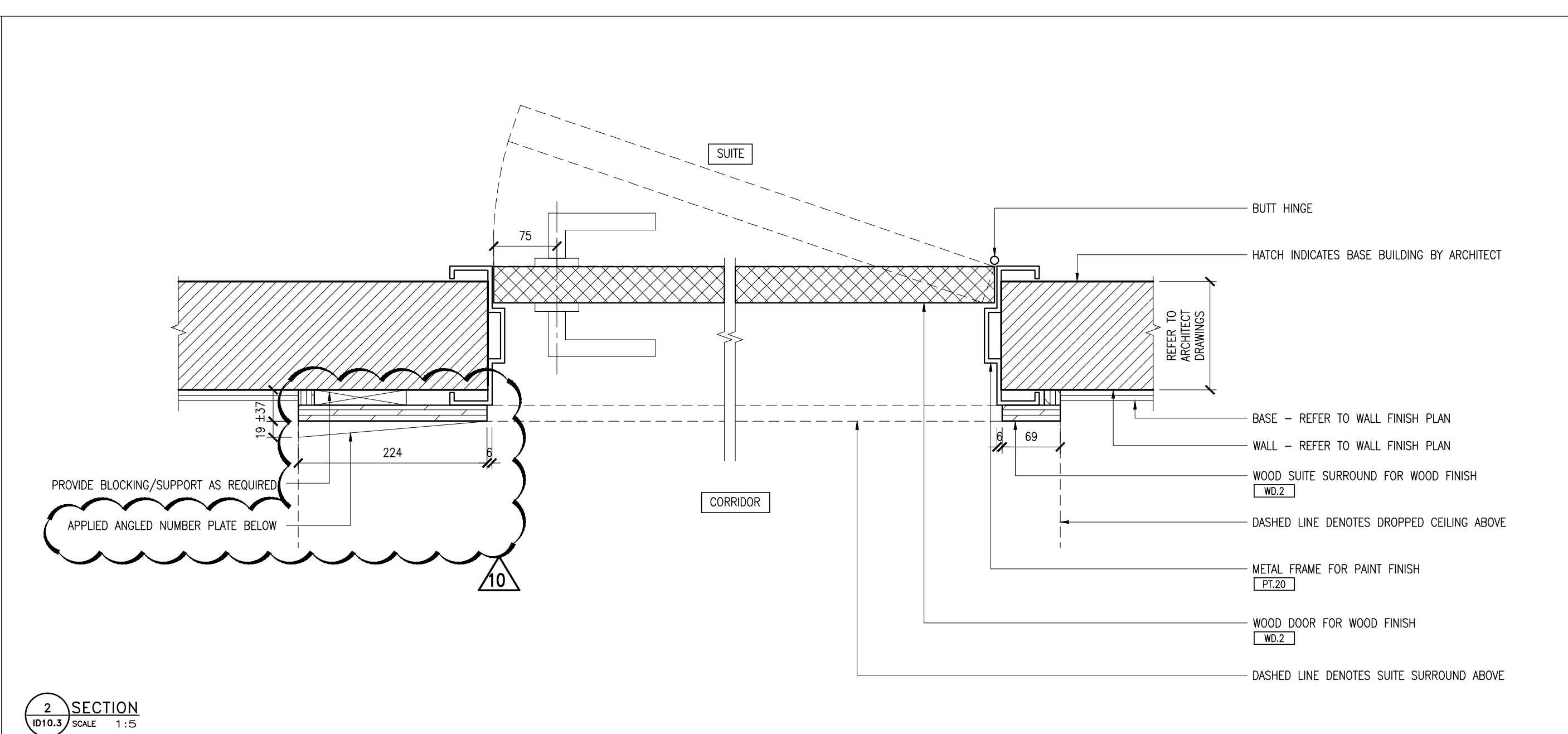
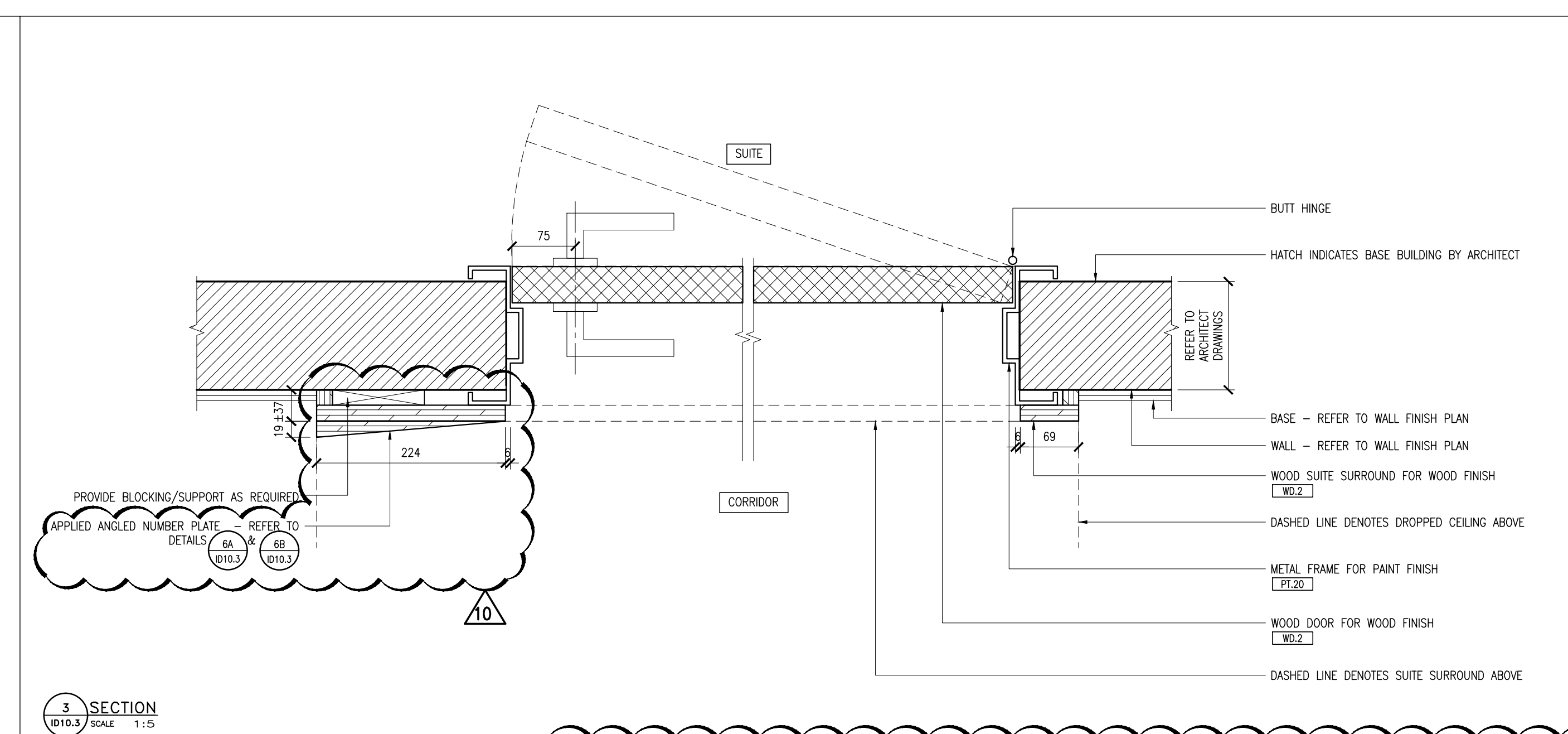


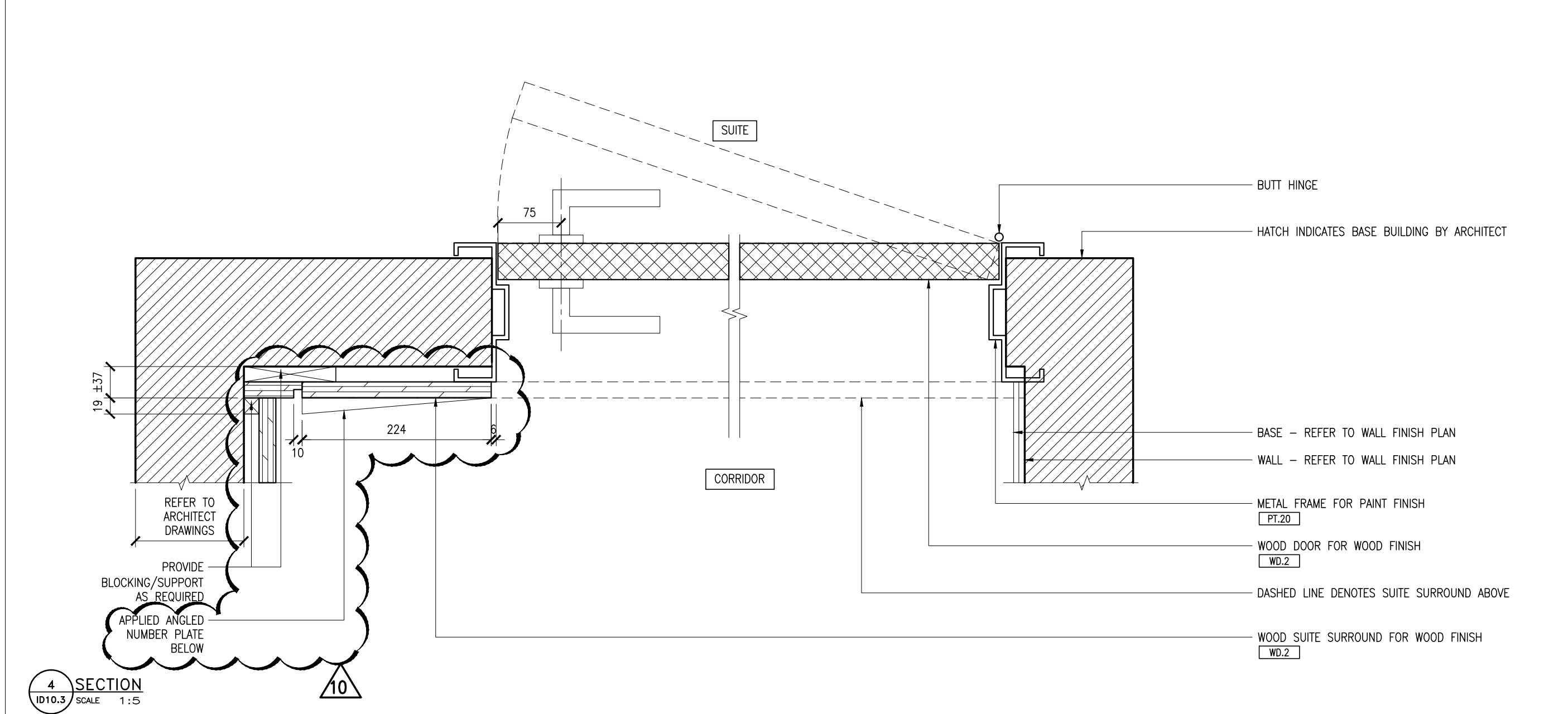
1 SECTION
W14.3 SCALE 1:5



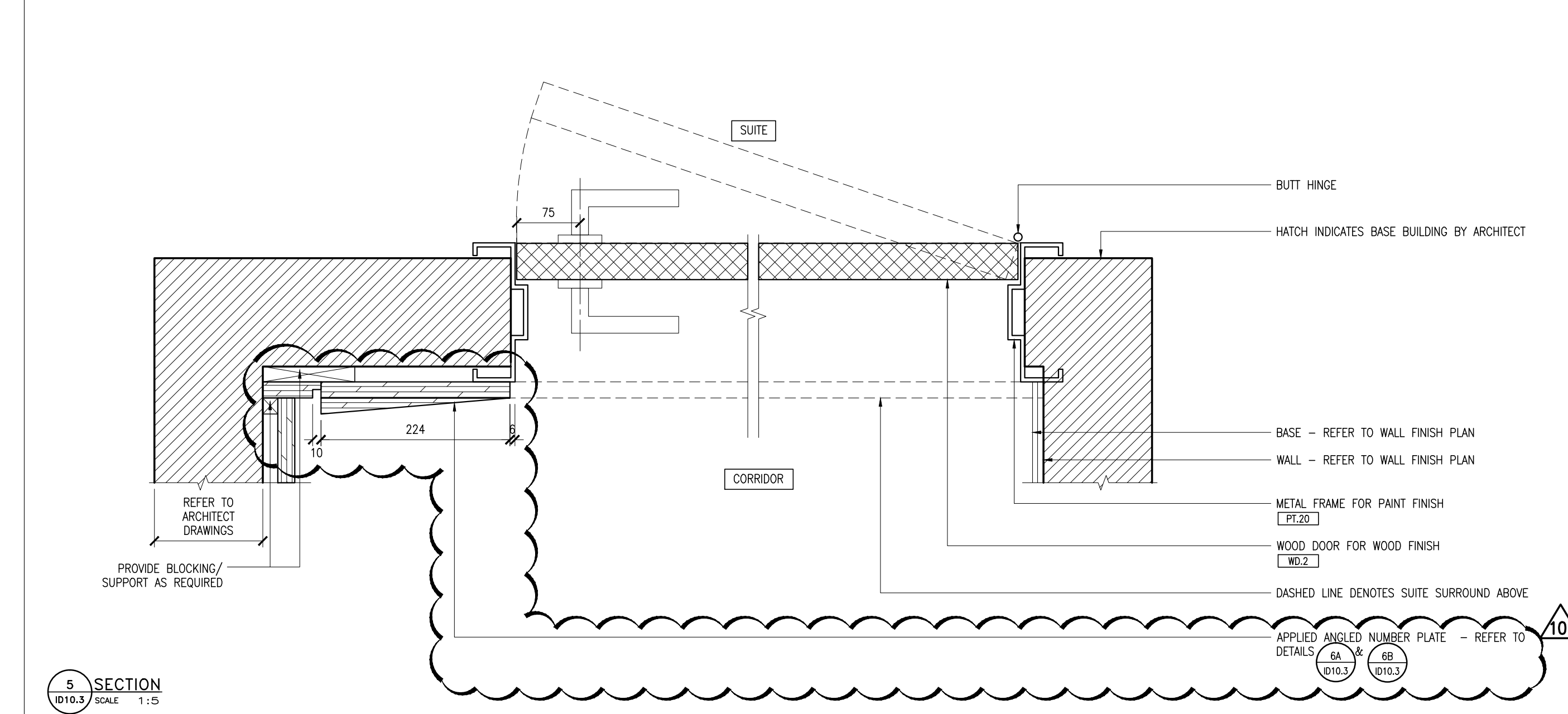
2 SECTION
W14.3 SCALE 1:5



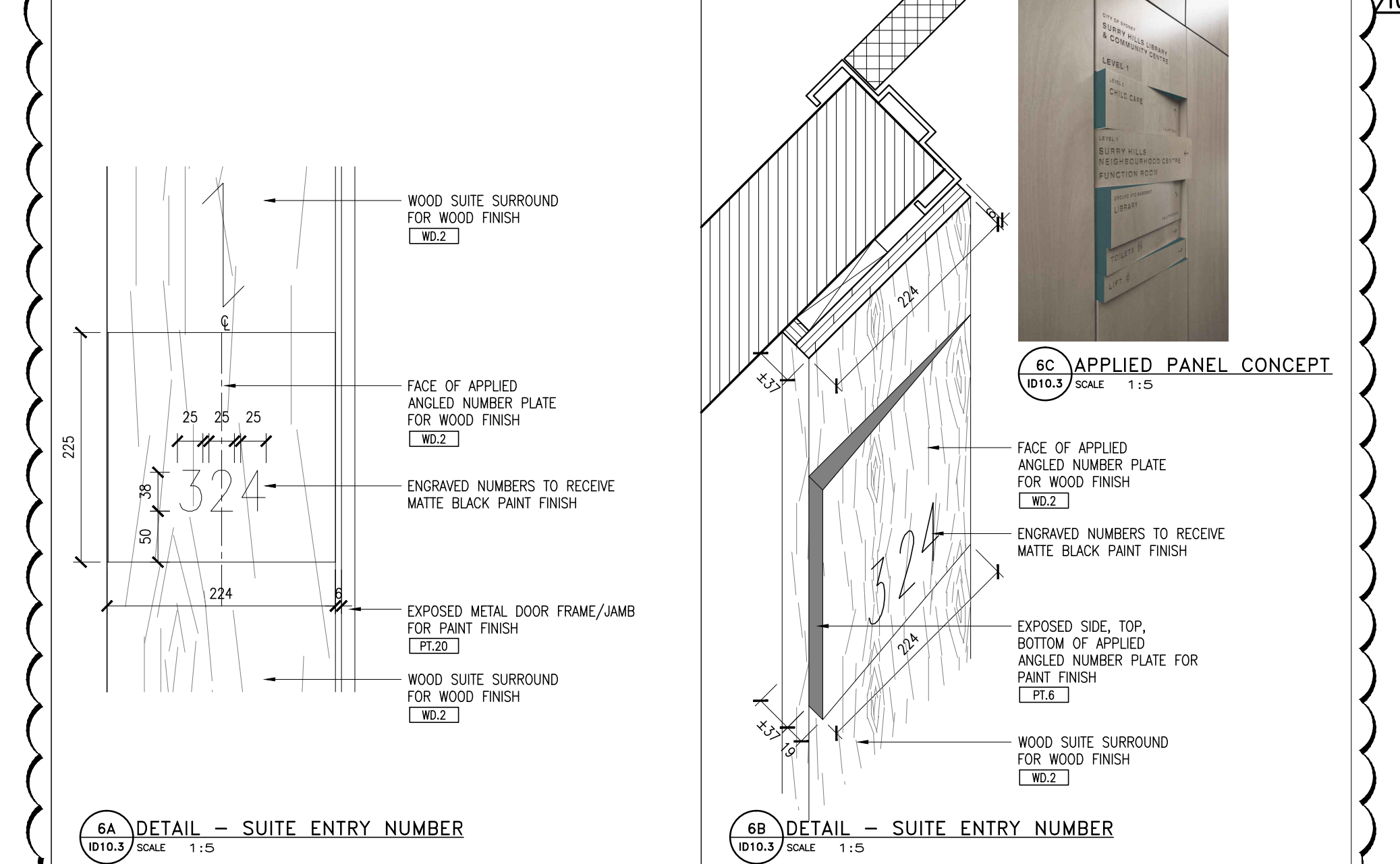
3 SECTION
W14.3 SCALE 1:5



4 SECTION
W14.3 SCALE 1:5

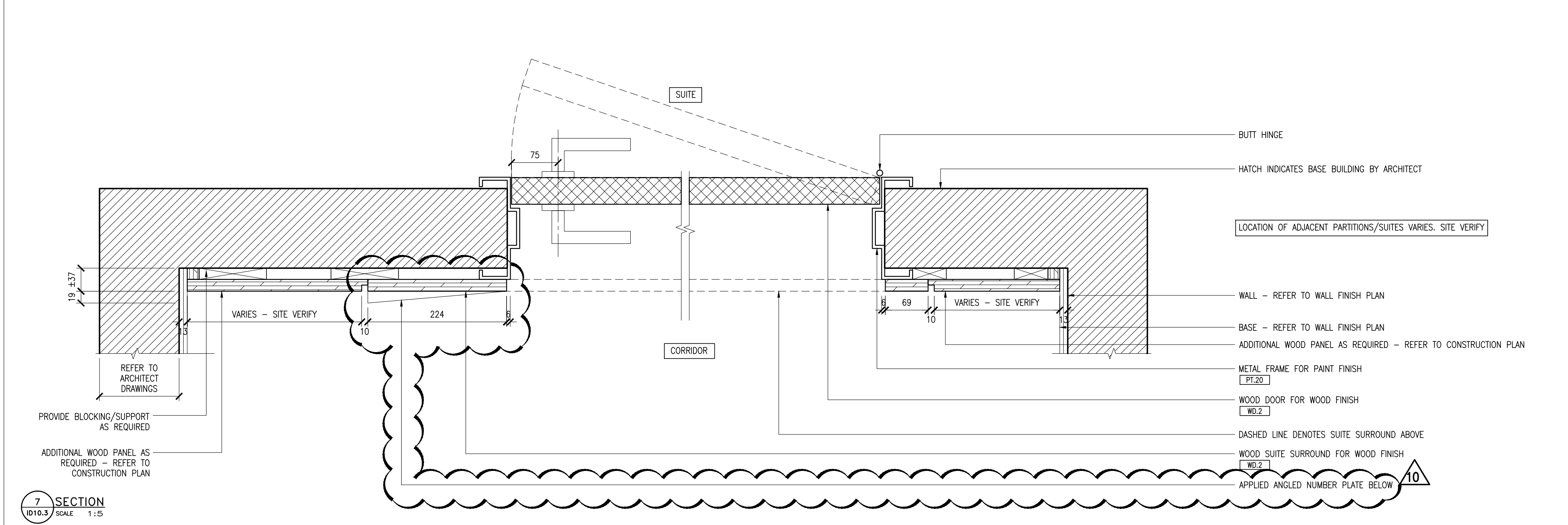


5 SECTION
W14.3 SCALE 1:5

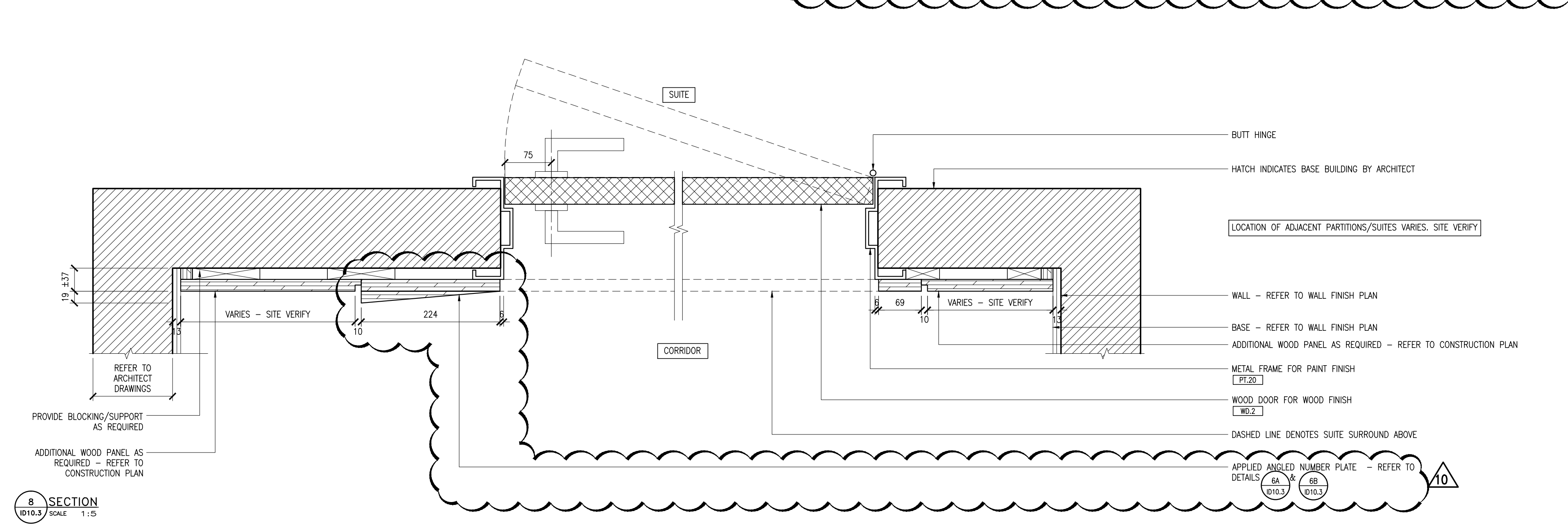


6A DETAIL - SUITE ENTRY NUMBER
W14.3 SCALE 1:5

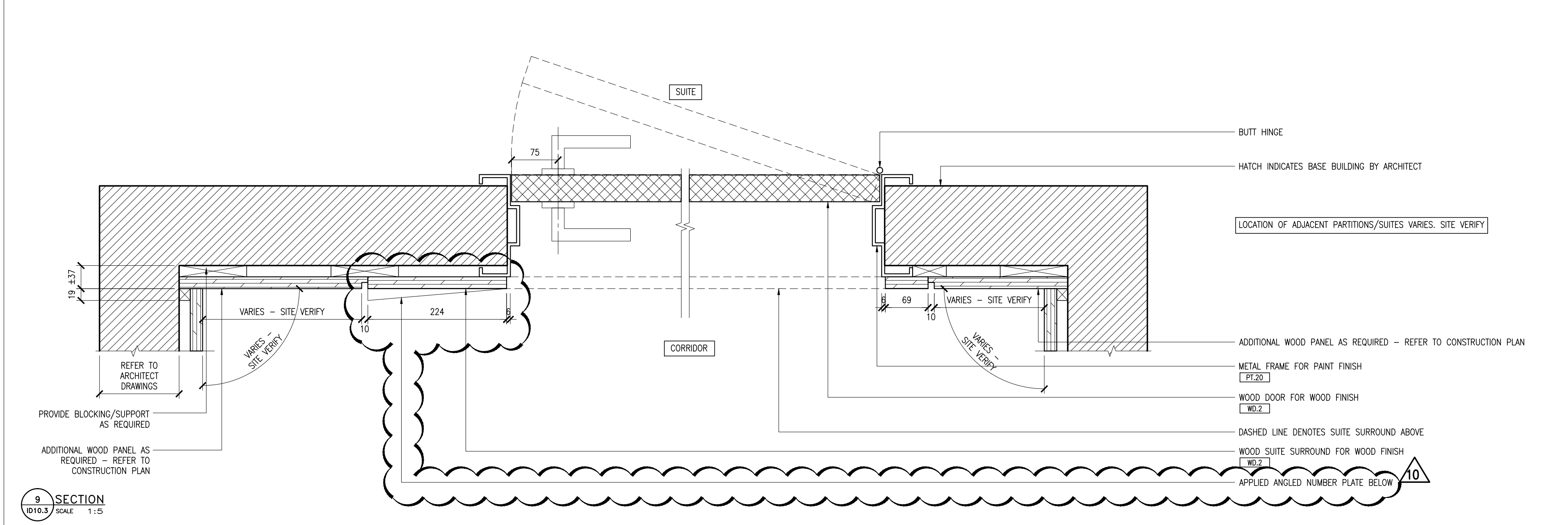
6B DETAIL - SUITE ENTRY NUMBER
W14.3 SCALE 1:5



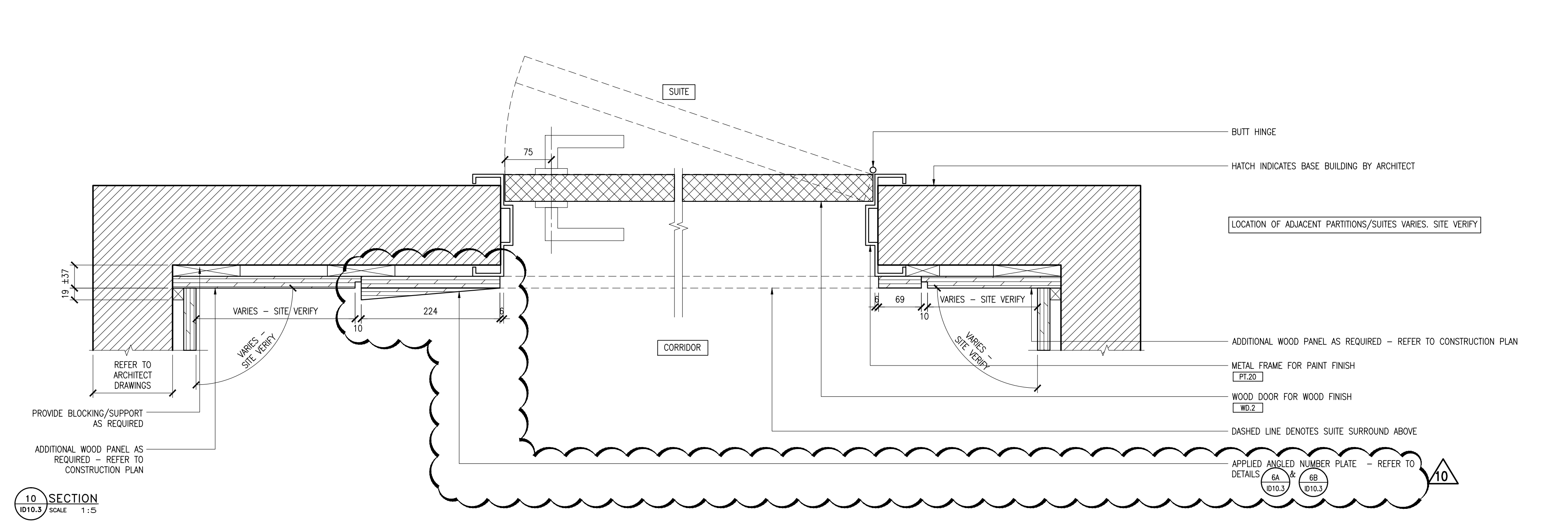
7 SECTION
W14.3 SCALE 1:5



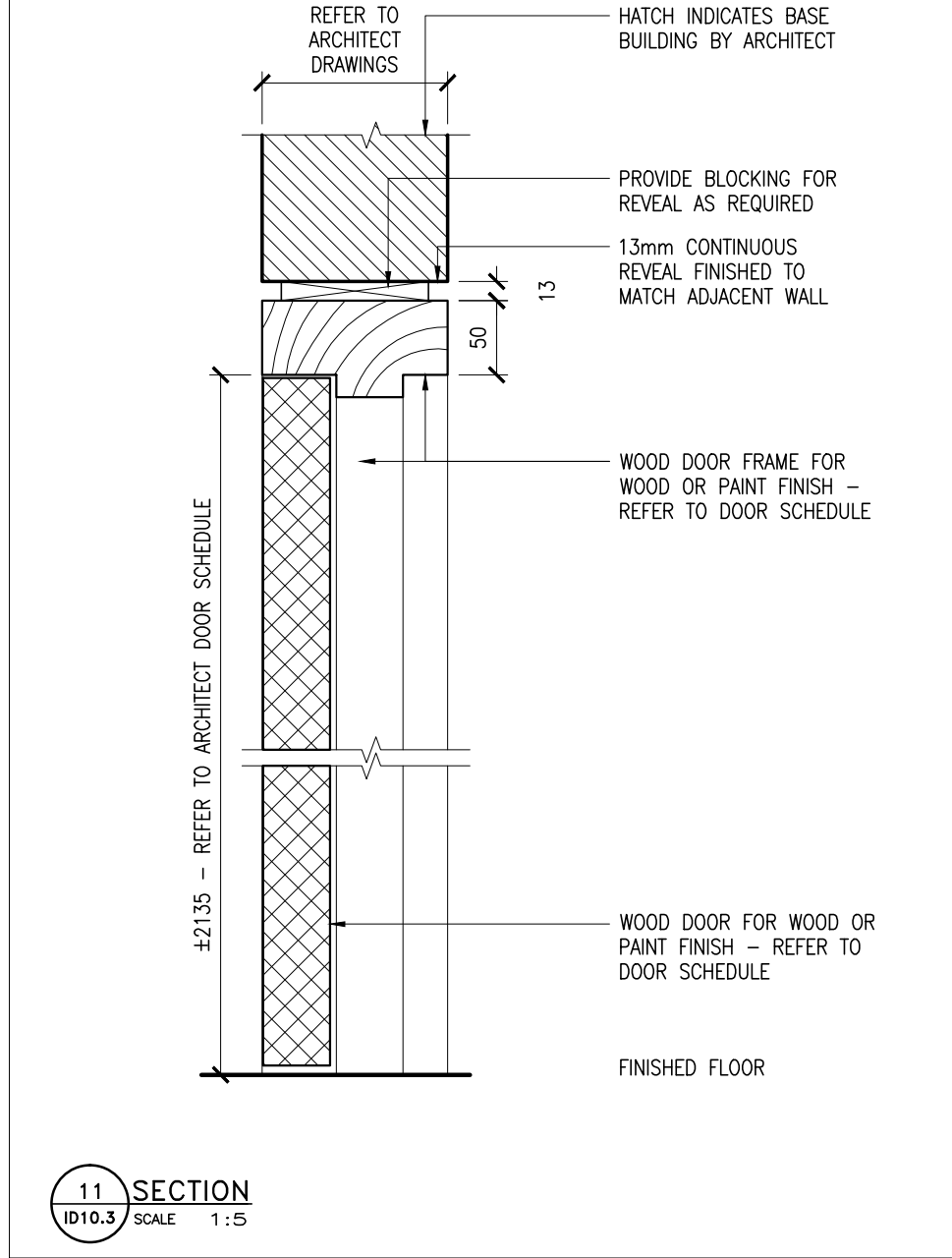
8 SECTION
W14.3 SCALE 1:5



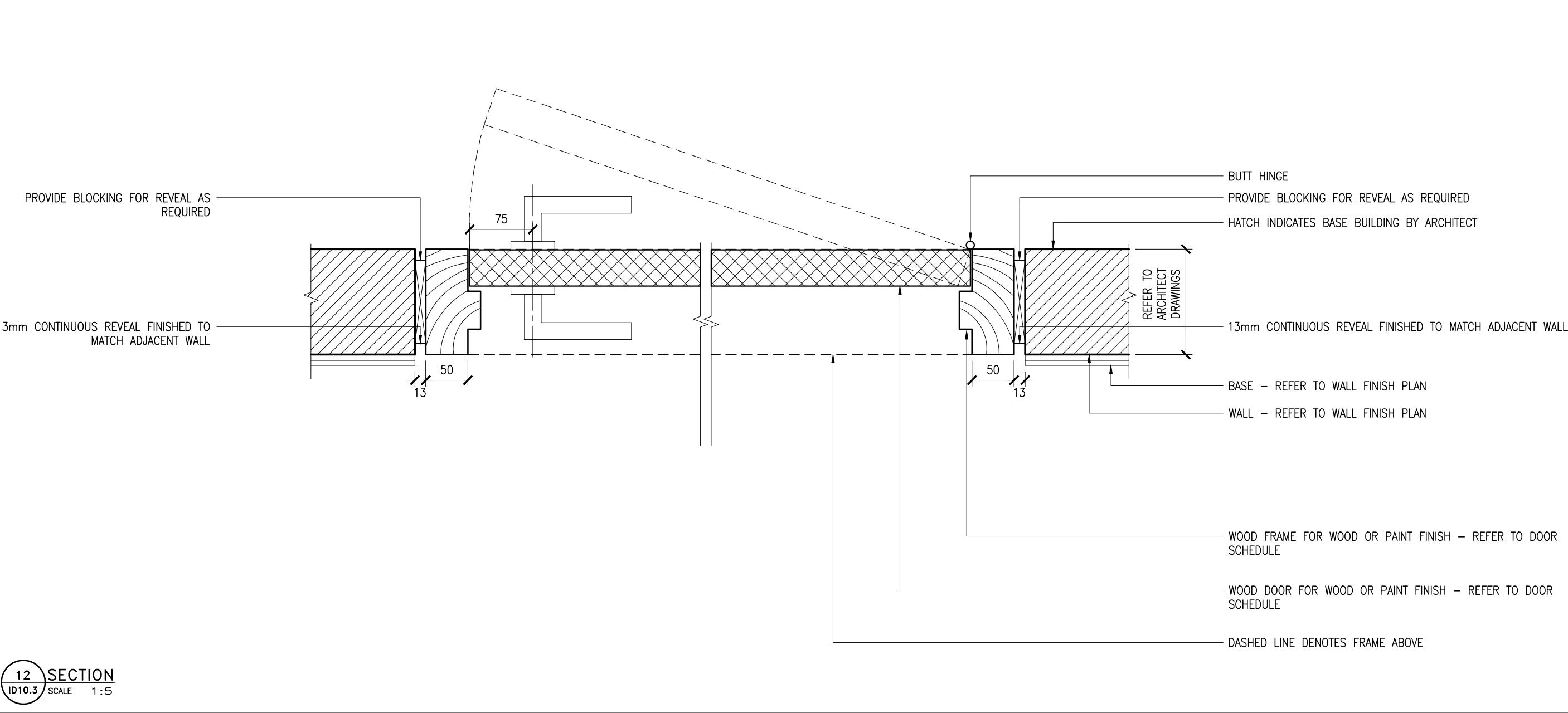
9 SECTION
W14.3 SCALE 1:5



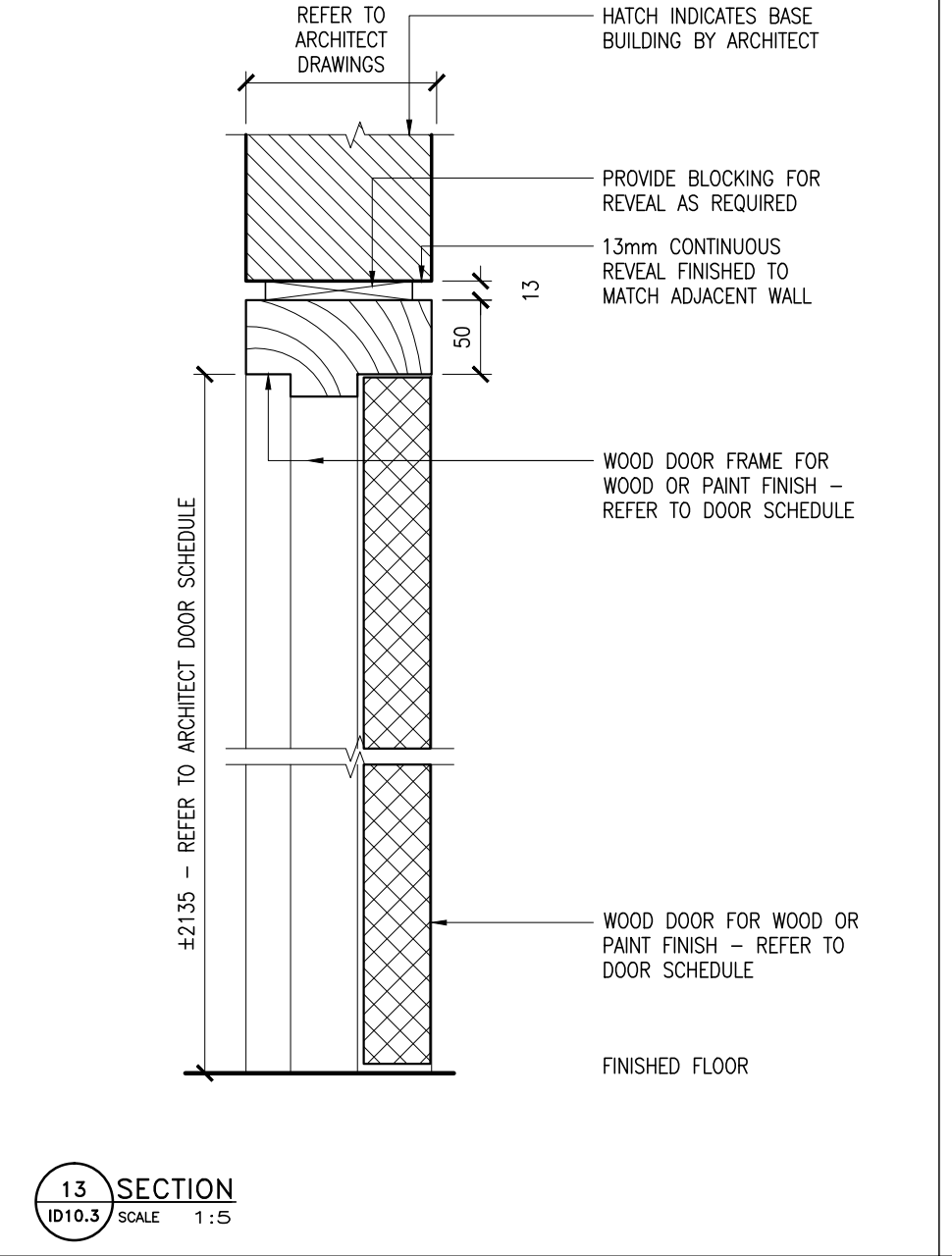
10 SECTION
W14.3 SCALE 1:5



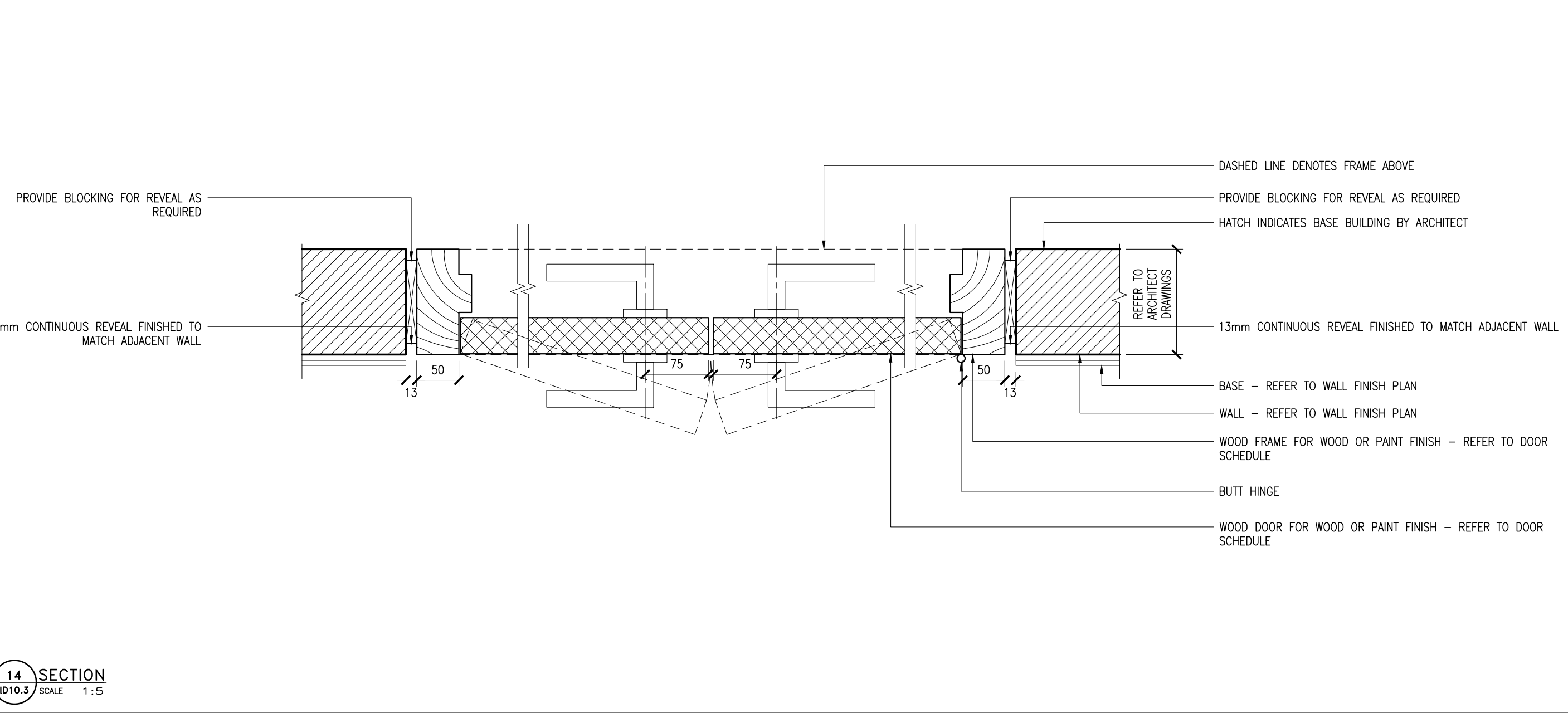
11 SECTION
W14.3 SCALE 1:5



12 SECTION
W14.3 SCALE 1:5



13 SECTION
W14.3 SCALE 1:5



14 SECTION
W14.3 SCALE 1:5

Notes:
 1. CONTRACTOR AND ALL SUB-TRADES SHALL VERIFY ALL DIMENSIONS. ALL DRAWINGS, DETAILS AND SPECIFICATIONS AND REPORT ANY DISCREPANCIES TO THE INTERIOR DESIGNER IN WRITING FOR APPROVAL BEFORE PROCEEDING WITH THE WORK.
 2. CONTRACTOR AND SUB-CONTRACTORS, BEFORE PROCEEDING WITH WORK, MUST SUBMIT ALL NECESSARY SAMPLES FOR APPROVAL OF QUALITY AND FINISH TO THE INTERIOR DESIGNER.
 3. CONTRACTOR MUST COMPLY WITH THE CONTRACT DOCUMENTS, PERFORMANCE REQUIREMENTS, APPLICABLE CODES AND REGULATIONS.
 4. ALL DRAWINGS AND WRITTEN MATERIAL HEREIN CONSTITUTES THE ORIGINAL AND UNPUBLISHED WORK OF I BY IV DESIGN ASSOCIATES INC. AND MAY NOT BE DUPLICATED, USED OR DISCLOSED WITHOUT PRIOR WRITTEN CONSENT OF I BY IV DESIGN ASSOCIATES INC.
 5. DRAWINGS NOT TO BE SCALED

Issue:
 07 ISSUED FOR TENDER 16.03.18
 10 ISSUED FOR CONSTRUCTION 17.06.19

Hines TRIDEL

AQUAVISTA
 AT BAYSIDE TORONTO
 1 EDEWATER DRIVE, TORONTO ONTARIO

77 MOWAT AVENUE, SUITE 100
 TORONTO, ONTARIO M6K 3G3 - CANADA
 T + 416 531 2224
 12 DEBARRASSE STREET
 NEW YORK, NEW YORK 10013 - USA
 T + 1 212 392 4852

IBIV DESIGN

Door Details
 Our Project Number: 14008
 Designed By: DMJ/R, VVJ/SG
 Detailed By: DMJ/R, VVJ/SG, BP
 Drawing Number:

ID10.3