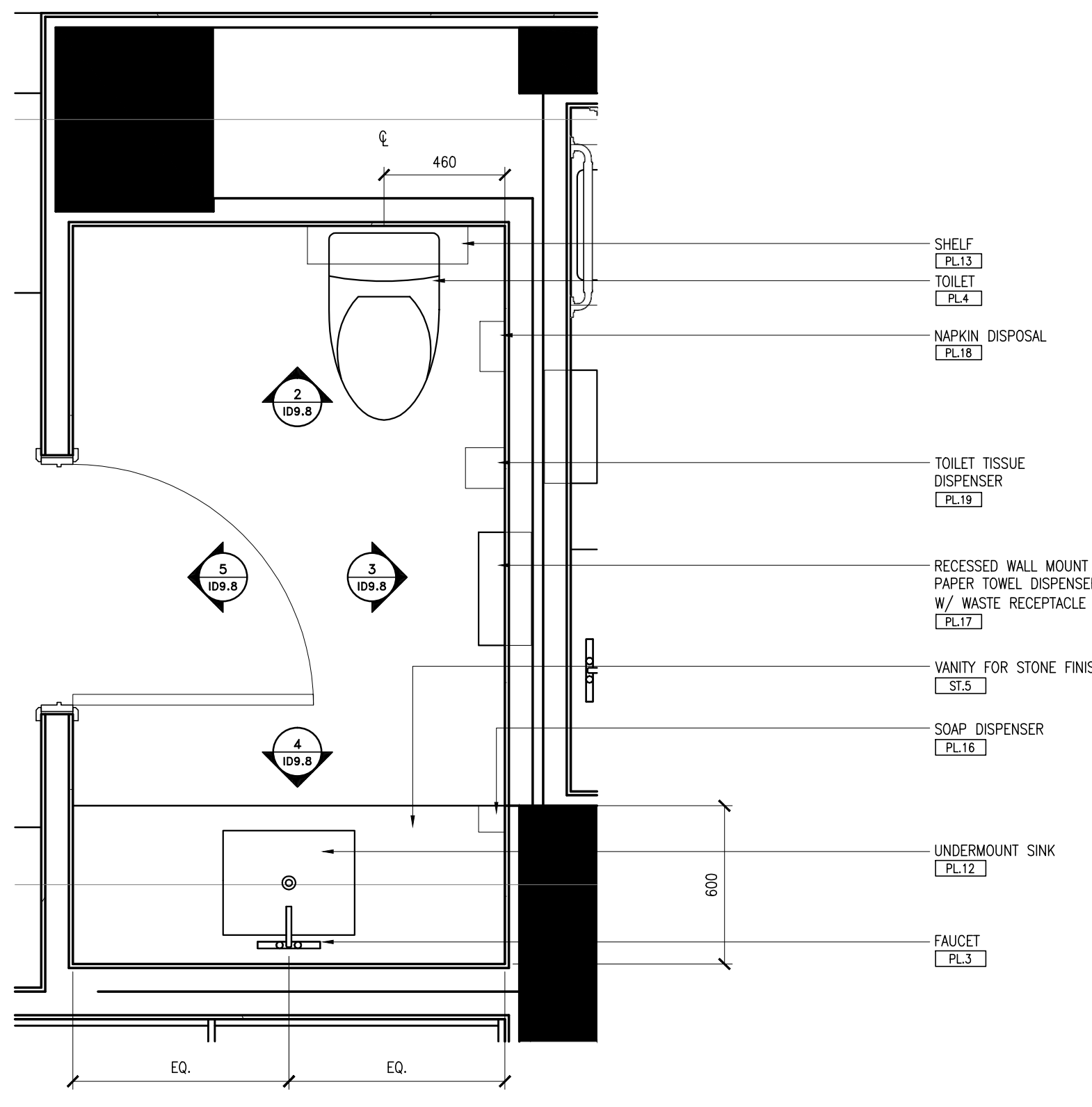


**Notes:**

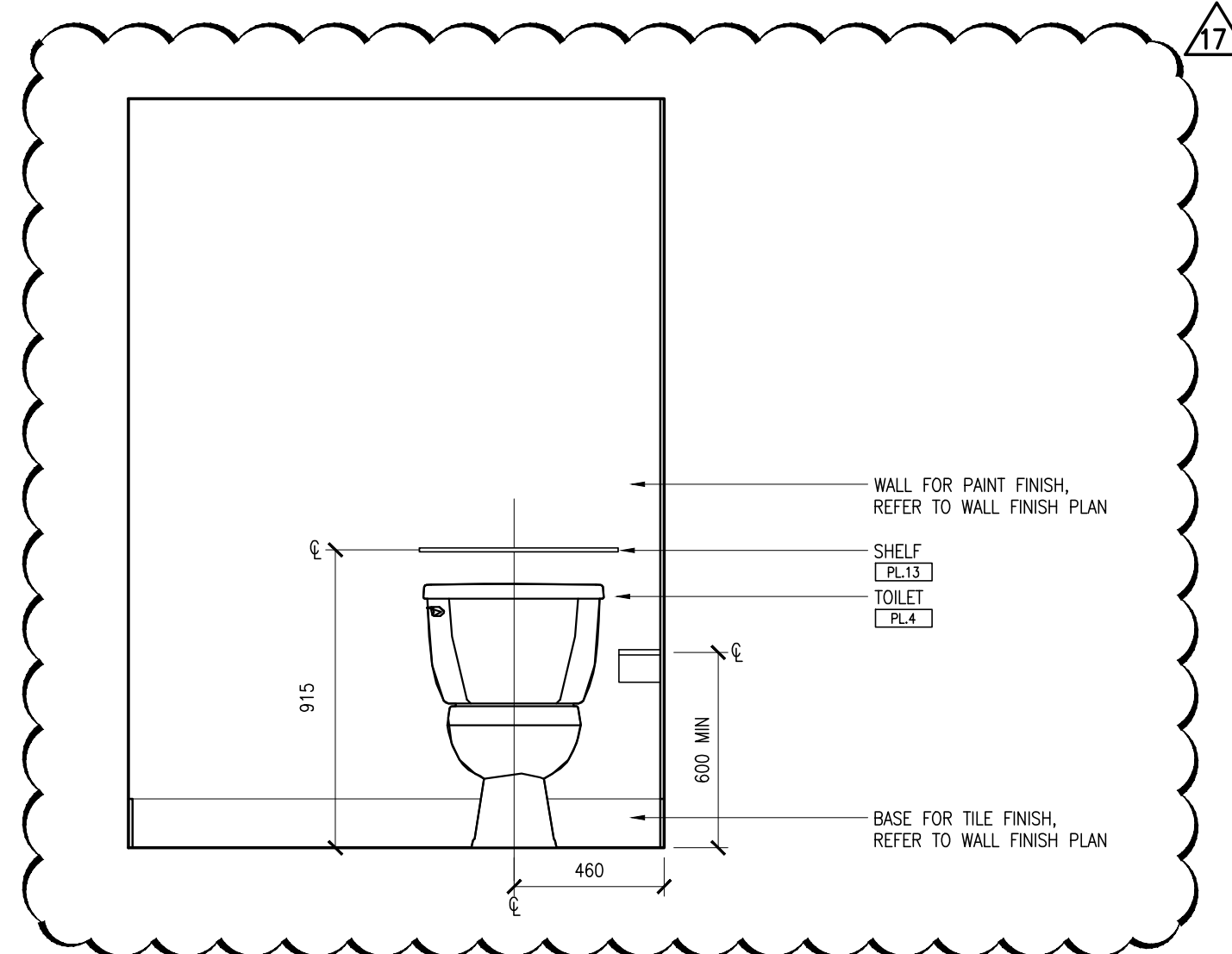
- CONTRACTOR AND ALL SUB-TRADES SHALL VERIFY ALL SITE DIMENSIONS. ALL DRAWINGS, DETAILS AND SPECIFICATIONS AND REPORT ANY DISCREPANCIES TO THE INTERIOR DESIGNER IN WRITING FOR APPROVAL BEFORE PROCEEDING WITH THE WORK.
- CONTRACTOR AND SUB-CONTRACTORS, BEFORE PROCEEDING WITH WORK, MUST SUBMIT ALL NECESSARY SAMPLES FOR APPROVAL OF QUALITY AND FINISH TO THE INTERIOR DESIGNER.
- CONTRACTOR MUST COMPLY WITH THE CONTRACT DOCUMENTS, PERFORMANCE REQUIREMENTS, APPLICABLE CODES AND REGULATIONS.
- ALL DRAWINGS AND WRITTEN MATERIAL HEREIN CONSTITUTE THE ORIGINAL AND UNPUBLISHED WORK OF IBI BY DESIGN ASSOCIATES INC. AND MAY NOT BE REPRODUCED, COPIED, USED OR DISCLOSED WITHOUT PRIOR WRITTEN CONSENT OF IBI BY DESIGN ASSOCIATES INC.
- DRAWINGS NOT TO BE SCALED

**Issue:**

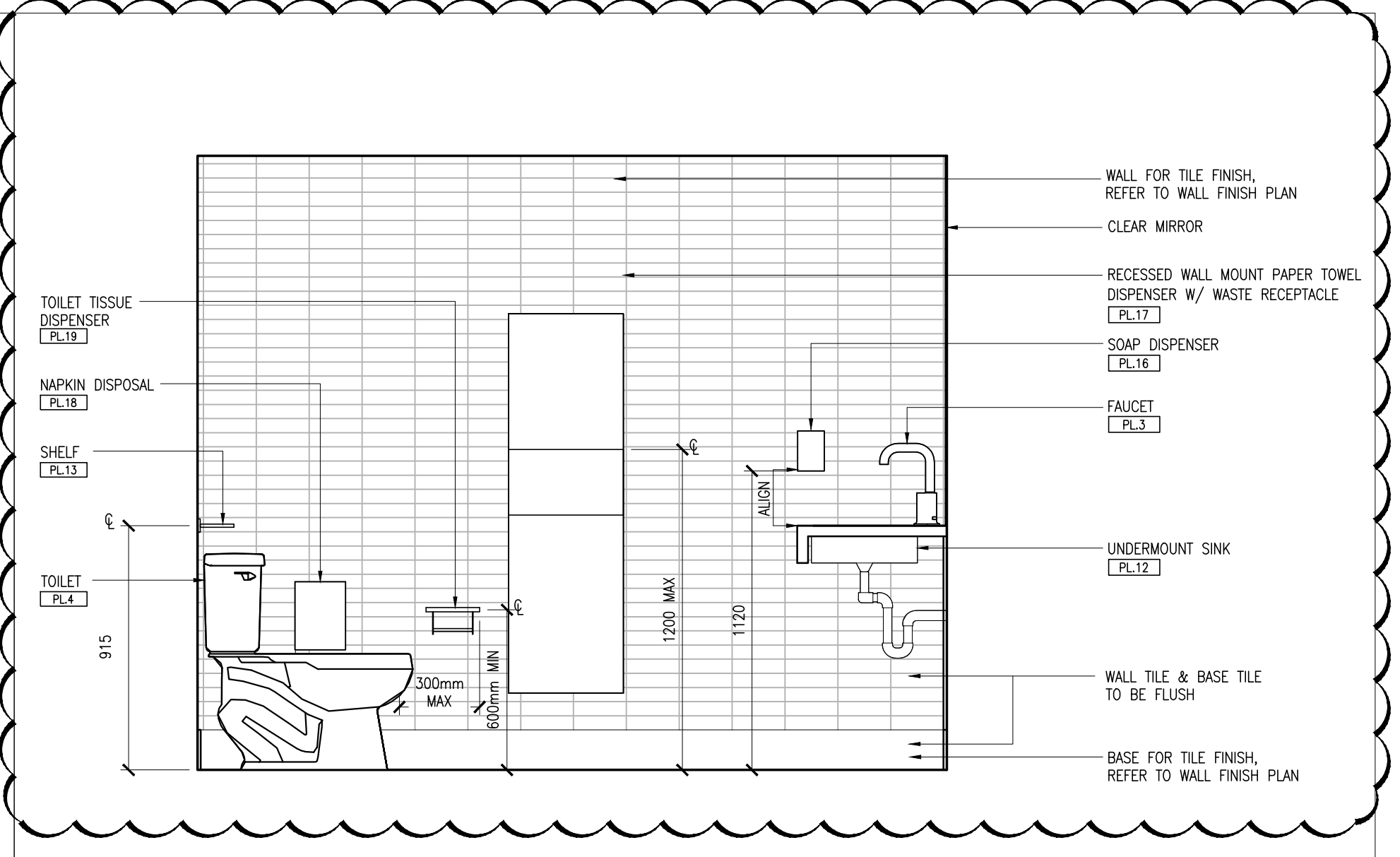
06 ISSUED FOR CLIENT REVIEW	16.01.15
07 ISSUED FOR TENDER	16.03.15
10 ISSUED FOR CONSTRUCTION	17.06.19
17 SITE INSTRUCTION #07	18.05.31
-	-
-	-
-	-
-	-
-	-
-	-
-	-



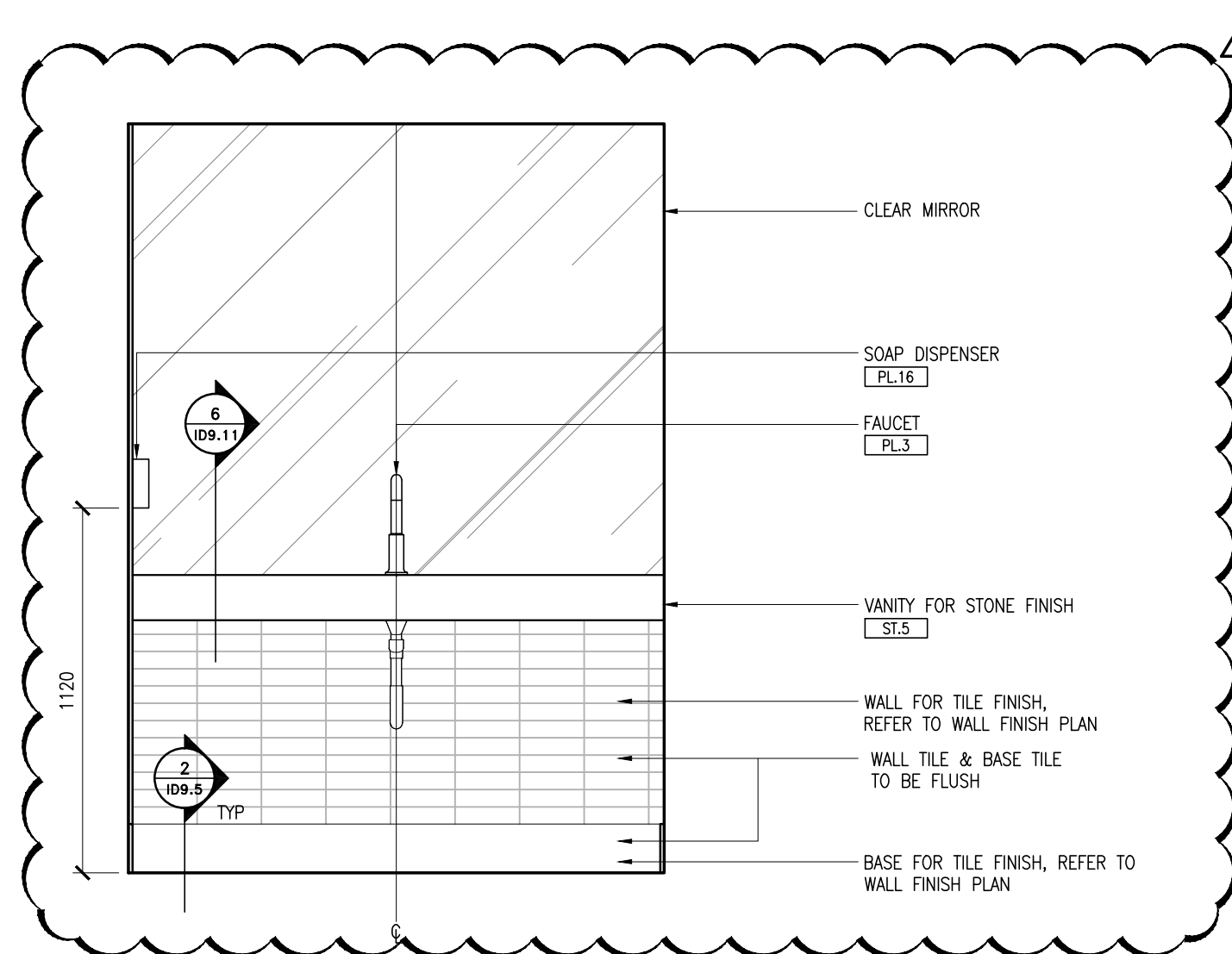
1 PLAN - L1 STAFF WASHROOM  
SCALE 1:20



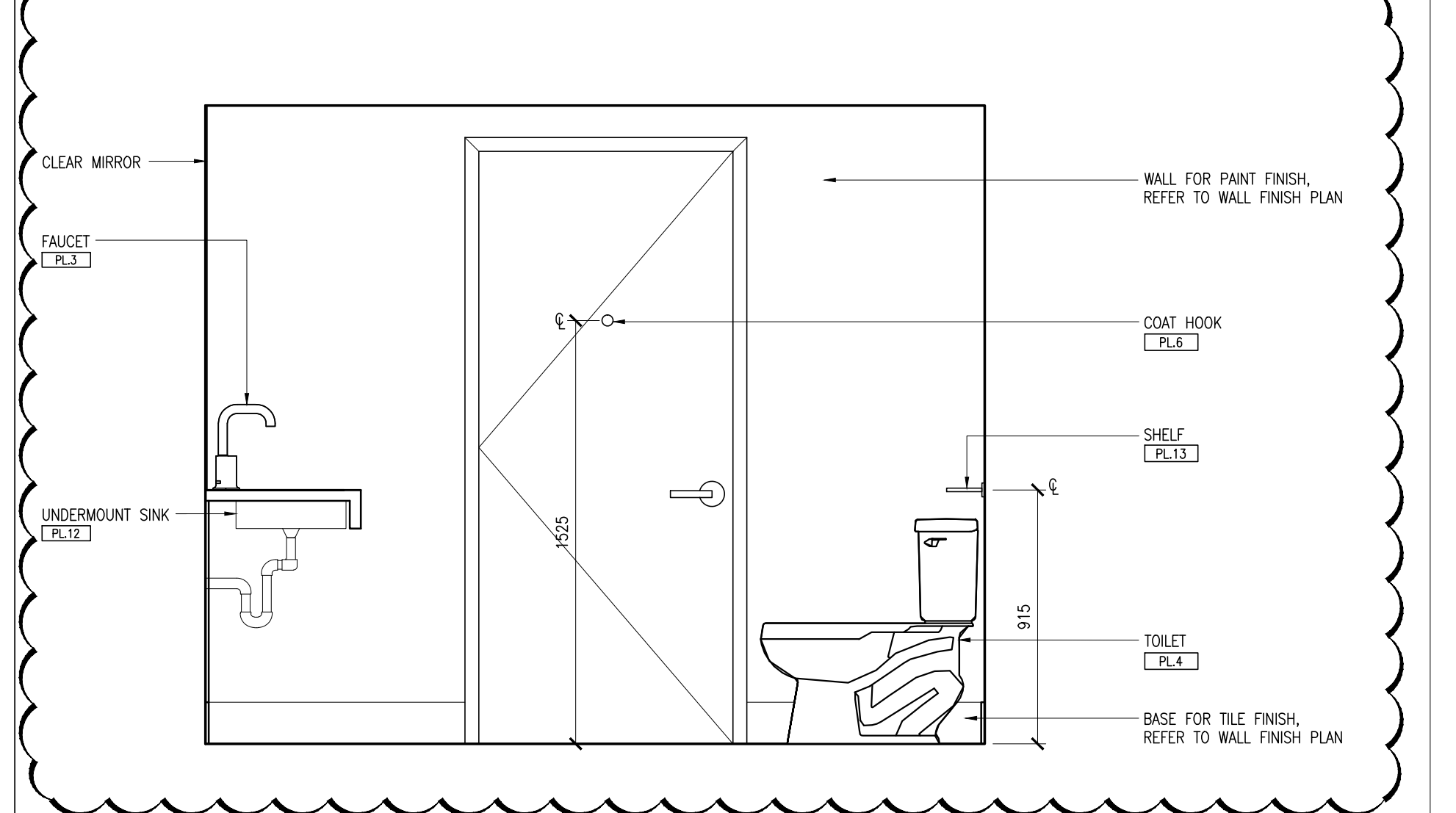
2 ELEVATION - L1 STAFF WASHROOM  
SCALE 1:20



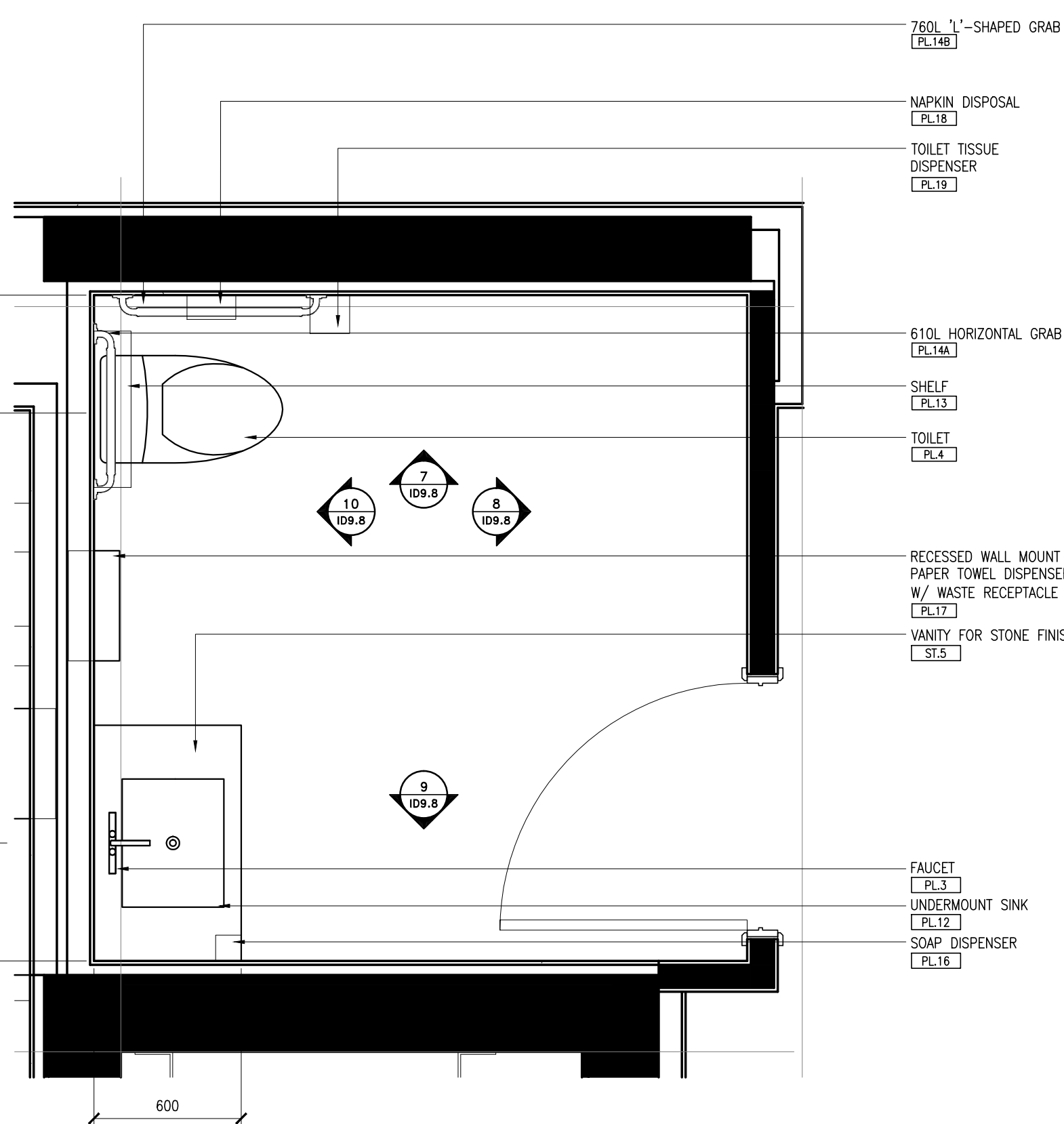
3 ELEVATION - L1 STAFF WASHROOM  
SCALE 1:20



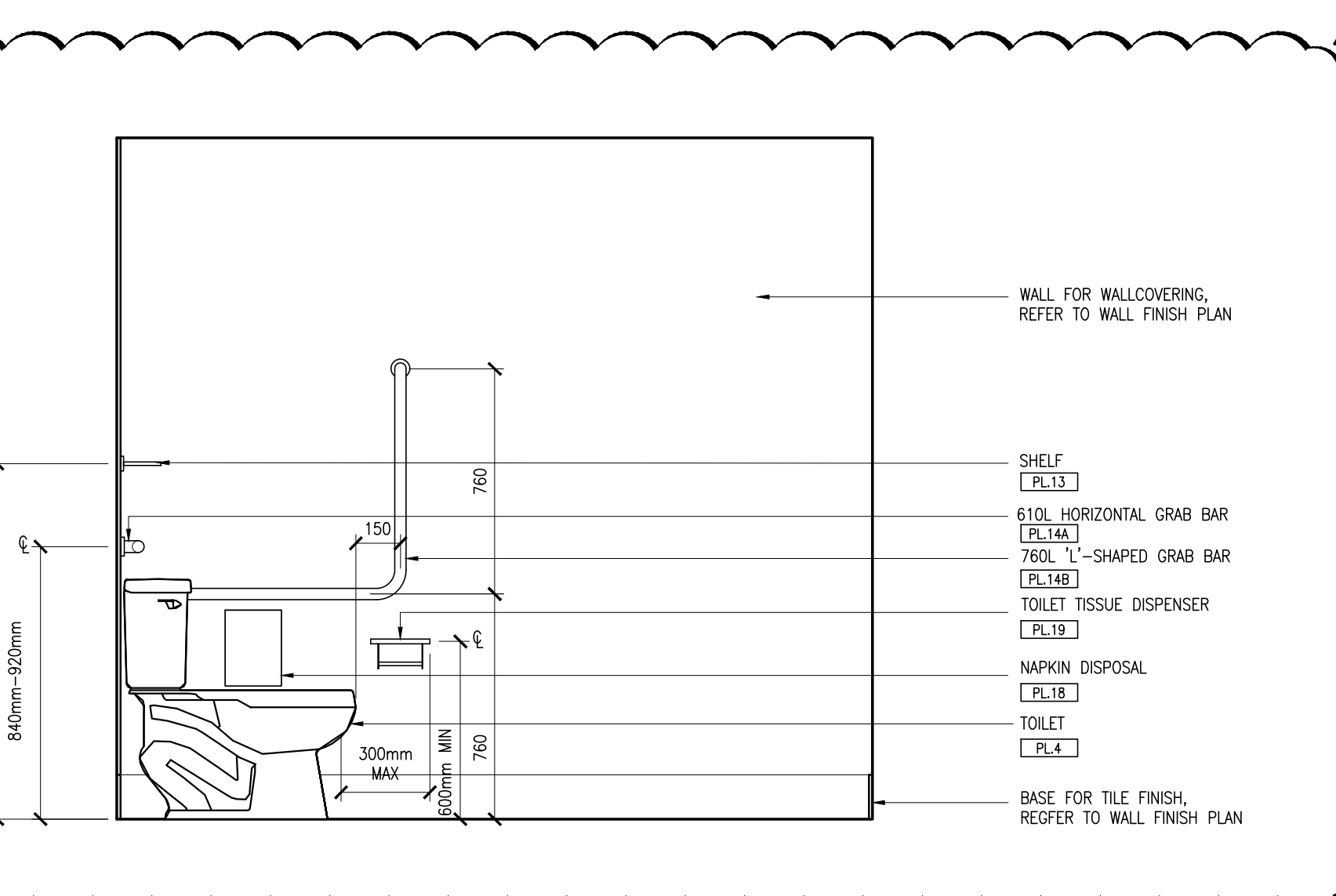
4 ELEVATION - L1 STAFF WASHROOM  
SCALE 1:20



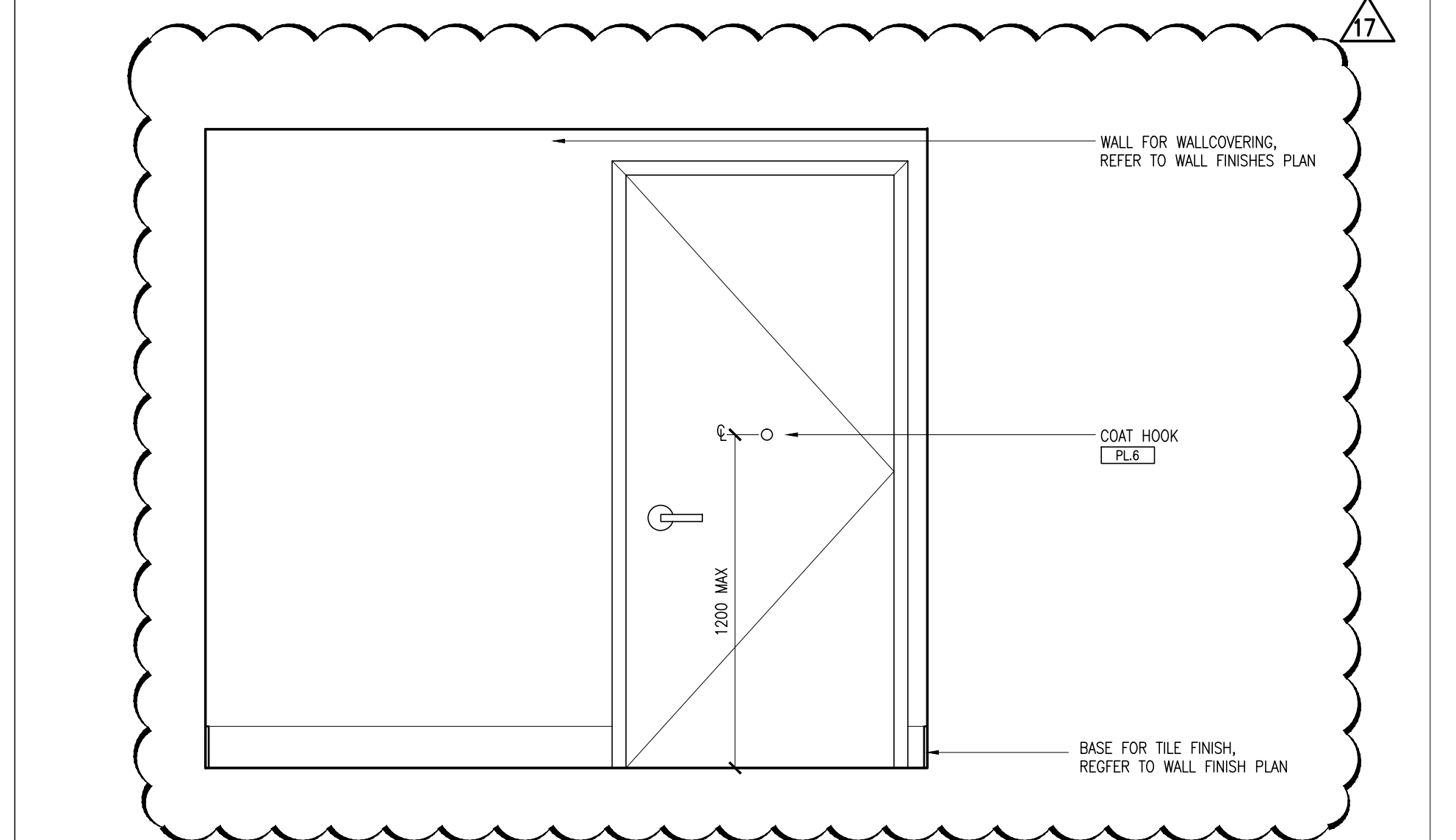
5 ELEVATION - L1 STAFF WASHROOM  
SCALE 1:20



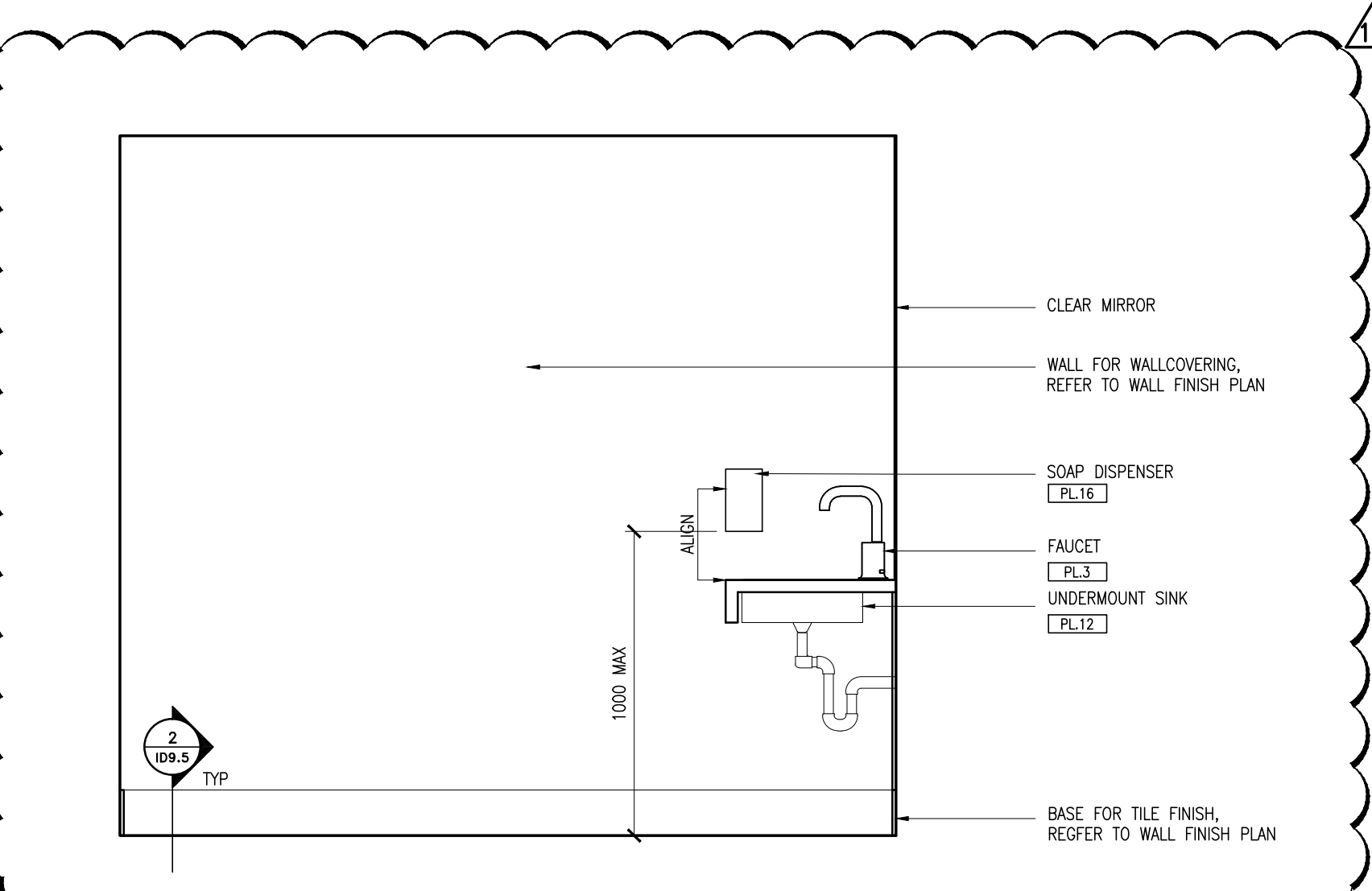
6 PLAN - L1 BARRIER-FREE WASHROOM  
SCALE 1:20



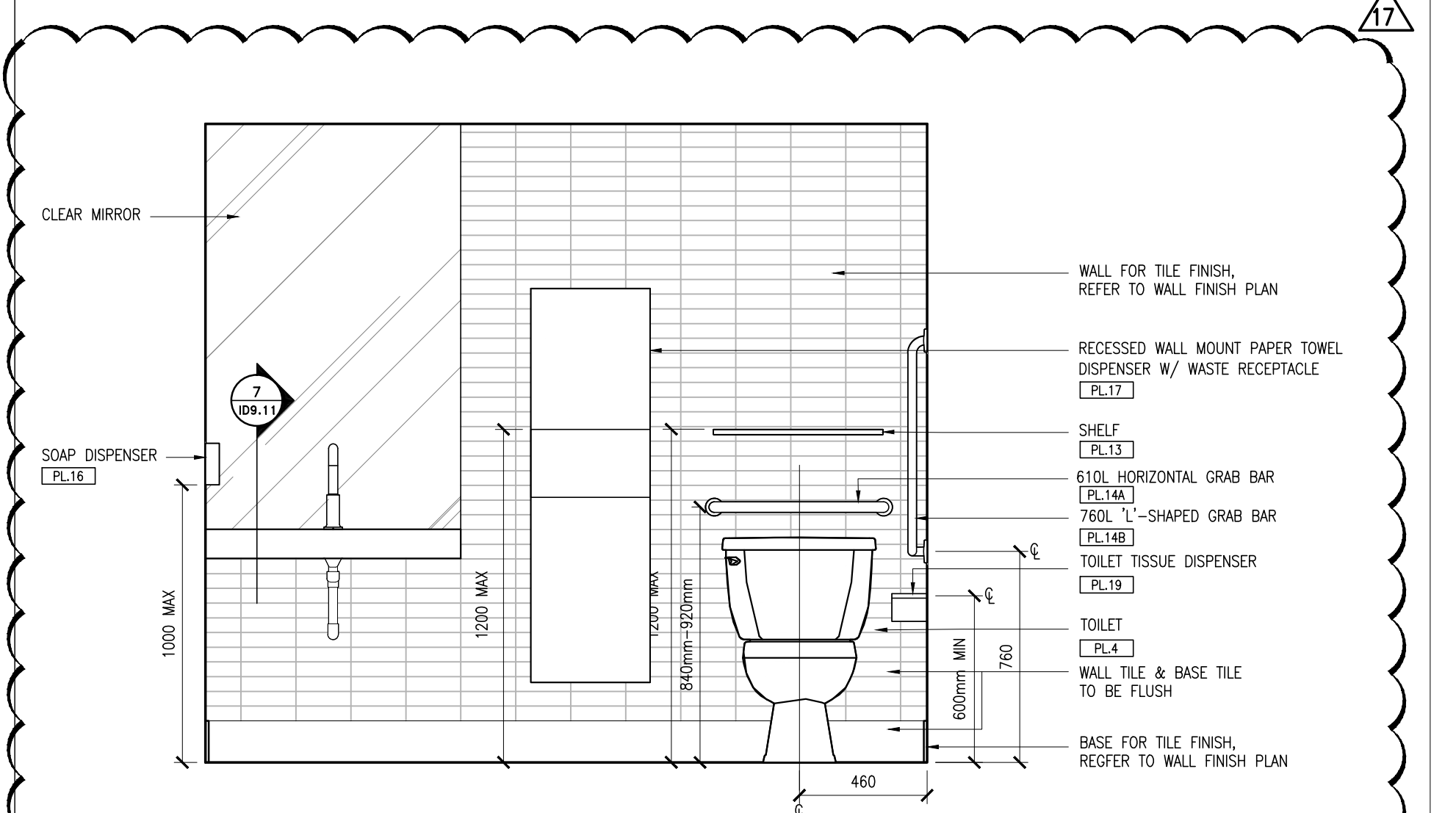
7 ELEVATION - L1 BARRIER-FREE WASHROOM  
SCALE 1:20



8 ELEVATION - L1 BARRIER-FREE WASHROOM  
SCALE 1:20



9 ELEVATION - L1 BARRIER-FREE WASHROOM  
SCALE 1:20



10 ELEVATION - L1 BARRIER-FREE WASHROOM  
SCALE 1:20

Hines TRIDEL

AQUAVISTA  
AT BAYSIDE TORONTO  
1 EDGEWATER DRIVE, TORONTO ONTARIO

IBI BY DESIGN  
77 MOWAT AVENUE, SUITE 100  
TORONTO, ONTARIO M5S 3C4 - CANADA  
T + 1 416 531 2224  
12 DEARBORN STREET  
NEW YORK, NEW YORK 10013 - USA  
T + 1 212 362 4852

Drawing Title:  
**L1 WASHROOM  
DETAILS**

Our Project Number:  
14008  
Designed By:  
DMJ/R, VVJ/SJ  
Drawing Number:  
DMJ/R, VVJ/SJ, BP/SF

ID9.8