

RECESSED LYTESPOT

SPECIFICATION GUIDE



TPL Lighting - Mike Hamilton 416.238.9793

Architectural Lighting Works reserves the right to make changes to fixture design, finish and engineering at any time.

RECESSED LYTESPOT

TPL Lighting - Mike Hamilton 416.238.9793

TYPE:

Specification and Ordering Information:

1. Style:

- RCST - Recessed with trim (RCST)
 RCS - Recessed trim-less (RCS)

2. Lamp Quantity:

- 1
 2
 3

3. Downlight Options:

- ***MR16: 1x 50 Watt MR16 Halogen (MR16)
 AR111: 1 x 50/75 Watt AR111 Halogen (AR111)
 PAR30: 1 x 50/75 Watt Par 30 Halogen (PAR30)
 S08220: 1 x 22 Watt CDM20 TM BT-5 (S08220)
 S08235: 1 x 35 Watt CDM35 TM BT-5 (S08235)
 S11139: 1 x 39 Watt CDM35 TC-T4 (S11139)
 S11170: 1 x 70 Watt CDM70 TC-T4 (S11170)
 GX1020: 1 x 20 Watt CMH20/MR16 (GX1020)
 GX1039: 1 x 39 Watt CMH39/MR16 (GX1039)
 PAR2039: 1 x 39 Watt CDM35/PAR20 (PAR2039)
 PAR3039: 1 x 39 Watt CDM35/PAR30L (PAR3039)
 PAR3070: 1 x 70 Watt CDM70/PAR30L (PAR3070)
 R11135: 1 x 35 Watt CDM-R111/35 (R11135)
 R11170: 1 x 70 Watt CDM-R111/70 (R11175)

- Mplex - Multiplex LED Module (Mplex) - SEE Diagram 1A.**
- | emitter | color | power | cooling (30w only) | optic | beam |
|--------------------------------|--------------------------------|------------------------------|----------------------------------|------------------------------------|---------------------------------|
| <input type="checkbox"/> CZEN | <input type="checkbox"/> 3000k | <input type="checkbox"/> 15w | <input type="checkbox"/> Passive | <input type="checkbox"/> Lens | <input type="checkbox"/> 20 deg |
| <input type="checkbox"/> XSM80 | <input type="checkbox"/> 3500k | <input type="checkbox"/> 20w | <input type="checkbox"/> Active | <input type="checkbox"/> Reflector | <input type="checkbox"/> 40 deg |
| <input type="checkbox"/> XSM95 | <input type="checkbox"/> 4000k | <input type="checkbox"/> 30w | | | <input type="checkbox"/> 60 deg |

CZEN = Citizen LED Chip with Zhaga connector
 XSM = Xicato LED Module

- *CZEN7: Citizen® 1 x 7.6W Watt LED Module, 820LM, 80CRI, 3000K (CZEN7)
- *CZEN7DIM: Citizen® 1 x 7.6W Watt LED Module, TRIAC Dimming, 820LM, 80CRI, 3000K (CZEN7DIM)
- *CZEN7-H: Citizen® 1 x 7.6W Watt LED Module, Lutron® A Series Dimming, 820LM, 80CRI, 3000K (CZEN7-H)
- *CZEN10: Citizen® 1 x 10W Watt LED Module, 1000LM, 80CRI, 3000K (CZEN10)
- *CZEN10DIM: Citizen® 1 x 10W Watt LED Module, TRIAC Dimming, 1000LM, 80CRI, 3000K (CZEN10DIM)
- *CZEN10-H: Citizen® 1 x 10W Watt LED Module, Lutron® Hilume A Series Dimming, 1000LM, 80CRI, 3000K (CZEN10-H)
- *CZEN15: Citizen® 1 x 15W Watt LED Module, 1050LM, 80CRI, 3000K (CZEN15)
- *CZEN15-0-10V: Citizen® 1 x 15W Watt LED Module, 0-10V Dimming, 1050LM, 80CRI, 3000K (CZEN15-0-10V)
- *CZEN15-H: Citizen® 1 x 15W Watt LED Module, Lutron® A Series Dimming, 1050LM, 80CRI, 3000K (CZEN15-H)
- *CZEN20: Citizen® 1 x 20W Watt LED Module, 1200LM, 80CRI, 3000K (CZEN20)
- *CZEN20-0-10V: Citizen® 1 x 20W Watt LED Module, 0-10V Dimming, 1200LM, 80CRI, 3000K (CZEN20-0-10V)
- *CZEN20-H: Citizen® 1 x 20W Watt LED Module, Lutron® Hilume A Series Dimming, 1100LM, 80CRI, 3000K (CZEN20-H)
- *CZEN30: Citizen® 1 x 30W Watt LED Module, 2000LM, 80CRI, 3000K (CZEN30)
- *CZEN30-0-10V: Citizen® 1 x 30W Watt LED Module, 0-10V Dimming, 2000LM, 80CRI, 3000K (CZEN30-0-10V)
- *CZEN30-H: Citizen® 1 x 30W Watt LED Module, Lutron® Hilume A Series Dimming, 2000LM, 80CRI, 3000K (CZEN30-H)
- *LED1525: Edison® 1 x 15 Watt LED, 25° 3000K (LED1525)
- *LED1525-0-10V: Edison® 1 x 15 Watt LED, 0-10V Dimming, 540LM, 25° 3000K (LED1525-0-10V)
- *LED1525-H: Edison® 1 x 15 Watt LED, 0-10V Dimming, 540LM, 25° 3000K (LED1525-H)
- *LED1540: Edison® (1 x 15 Watt LED, 40° 3000K, 540LM 3500K (LED1540)
- *LED1540-0-10V: Edison® 1 x 15 Watt LED, 0-10V Dimming, 540LM, 40° 3000K (LED1540-0-10V)
- *LED1540-H: Edison® 1 x 15 Watt LED, 0-10V Dimming, 540LM, 25° 3000K (LED1540-H)

*No Accessory Options Available
 **Denotes Additional Cooling Mechanism (Synjet Fan) required: Internal to unit.
 For Additional LED options not listed, please consult LED MATRIX online, or Factory
 ***For LEDMR16, use MR16 option (Includes Electronic Low Voltage Transformer) for retrofit lamps.

3a: LED Driver (Select only if using LED option):

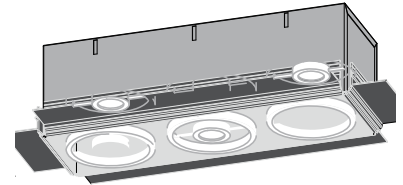
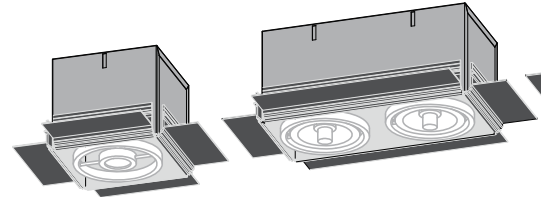
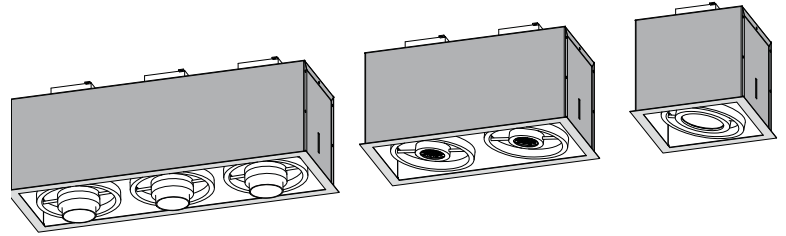
- INT - Integral (INT)
 **REM - Remote (REM)

*LED drivers can be integral or remote. An integral driver will power one head.
 **NOT Recommended with Dimming due to distance restrictions

4. Beam Spread (Leave blank if LED selection):

- *F - Flood (F)
 N - Narrow Flood (NF)
 *S - Spot (S)

*CZEN15 only available in Narrow Flood



1A: The Multiplex can be configured with a multitude of Accessories and configurations

AIMING ANGLES:
 20W and Lower Passive and Active (internal fan) cooled units = 45 deg aiming angle within RCS



30W Passively cooled units add an additional heat sink accessory which limits aiming dependent on specification.

Continued on Next Page...



Architectural Lighting Works reserves the right to make changes to fixture design, finish and engineering at any time.



RECESSED LYTESPOT

TYPE:

5. Accessory Option (Leave blank if LED):

- ***HEX - Hexcell Louvers (HEX)
 ***SNOOT - Snoot (SNT)
 ***SOLITE - Solite Lens (SOL)
 ***LSS - Linear Spread Lens (LSS)
 /GC - Glare Cap (GC)
***CZEN and LED1525 = NO Accessory Options
**Not Available in LED Options

6. Voltage:

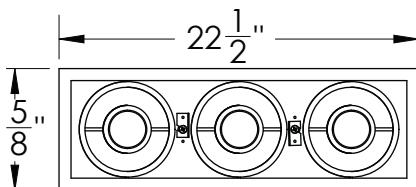
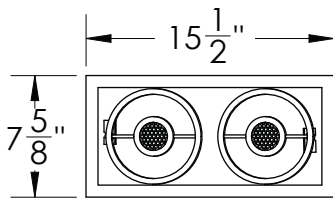
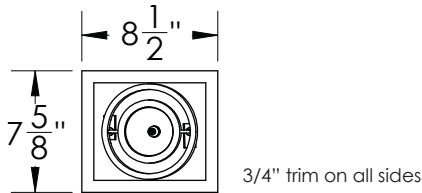
- 120 - 120 volt (120)
 277 - 277 volt (277)

7. Finish:

- * BK/AL (Aluminum trim / Black interior/ Aluminum Gimbal Rings)
 AL/AL (Aluminum trim / Aluminum interior/Aluminum Gimbal Rings)
 BK/BK (Black trim / Black interior/ Black Gimbal Rings)
 BK/BK/AL (Black trim / Black interior/ Aluminum Gimbal Rings)
 WH/BK (White trim / Black interior/ Black Gimbal Rings)
 WH/WH/ (White trim / White interior/ White Gimbal Rings)
 WH/WH/AL (White trim / White interior/ Aluminum Gimbal Rings)
 RAL/AL (Specify RAL # of powdercoat of your choice/ Aluminum Gimbal Rings)
 RAL/RAL(Specify RAL # of powdercoat of your choice/ RAL Gimbal Rings)

* BK/AL is standard on all Lytespot housings and trims
If TRIMLESS is specified, disregard trim color.

RCST (Trim)



Continued on Next Page...

For installation in grid or drywall ceiling.
Installation instructions at www.archltgworks.com

Design Specifications

Construction

20 ga CRS housing.
Black standard in interior housing
Reflectors are spun and polished aluminum

Electrical Details

All Ballasts are Electronic <10% THD (where applicable)
Class P electronic ballasts
Standard and dimming ballasts are integral to housing (unless otherwise noted - where applicable))
Low voltage transformers are individual 75W units (277V/12V or 120/12V)
Additional LED options available (consult factory)
ETL Listed
Indoor Location Only

Emergency

No Emergency Options

Finish

AL trim is a supersonic chrome powdercoat finish.
Powder Coat options are available. Consult factory.

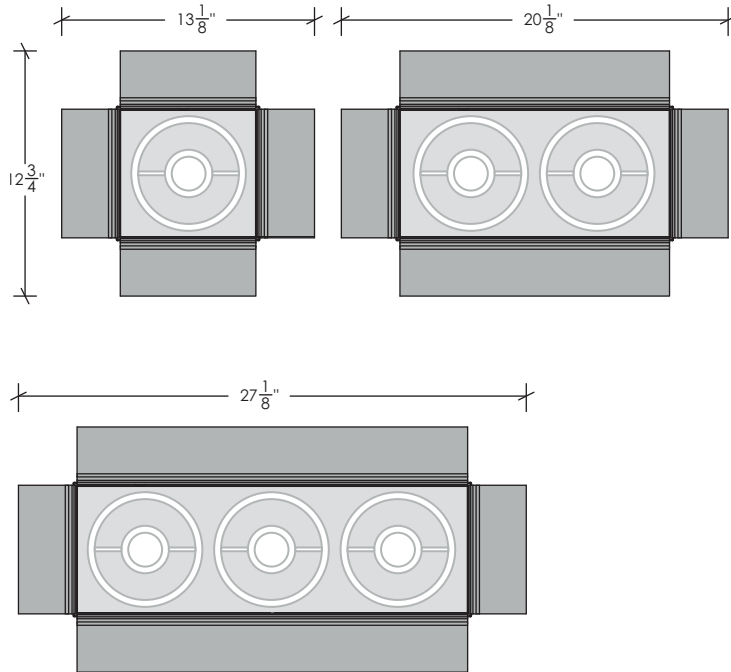
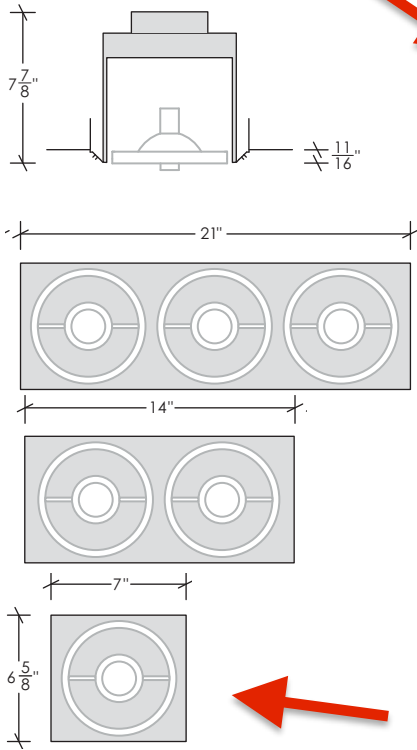


RECESSED LYTESPOT



RCS (Trim-less)

RCS (Trim-less) - Extruded drywall mudding and structural flange (integral to trim-less unit). Mud to edges for trim-less applications.



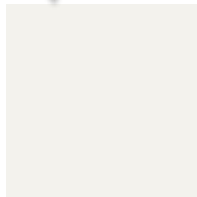
Colors and Finishes:



STANDARD: "Ulti-matte" Natural aluminum : A two step, clear anodizing process that gives and durable surface.



OPTION: Black - BK powdercoat



OPTION: White - WH powdercoat

RAL

OPTION: RAL - powdercoat the RAL color of your choice. Specify RAL code.

Lamp Shielding Accessories:



Hexcel Louver (HEX)



Linear Spread Lens (LSS)



Solite Lens (SOL)



Snoot (SNOOT)

Note: Accessories are not universal. Please consult specification sheets online for lamp compatibility.

TPL Lighting - Mike Hamilton 416.238.9793

