

**DanaLite**  
Architectural Linear Lighting

# DANALITE LINEAR LED SIGN/DISPLAY

Project: \_\_\_\_\_

Fixture Type: \_\_\_\_\_

Location: \_\_\_\_\_

Contact/Phone: \_\_\_\_\_

## PRODUCT SPECIFICATIONS

Linear LED Sign/Display • Available in standard 2', 3', and 4' versions.

**Lumens** LED in standard and high output versions to match fluorescent performance • LED High Output - 600 delivered lumens per foot • LED Standard Output - 410 delivered lumens per foot • Lumen maintenance L70 @ 25°C - 80,000 hrs • Lumen measurements comply with LM-79-08 standard • Operating temperatures: -25°C to 50°C.

**Electrical** 24V luminaire available with 120 to 277V remote driver (**ordered separately**) • High output LED - 12W per foot • Standard output LED 8W per foot • 0-10 volt dimming option.

**Color Temperature** 3000K, 4000K, 80+ CRI  
• Color consistency within 2 SDCM.

**Lens Options** None, Clear, Frosted (Lenses feature opaque co-extruded edges to eliminate glare).

**Fixture Rotation** 355°.

**Extrusion Housing/Stems** Extruded aluminum housing and stem.

**Finish** Brushed Aluminum, White and Black.

**Dimming** Dimmable using 0-10V dimming protocols.

**Labels** U.L. listed for U.S. and Canada • Union made.  
Product specifications subject to change without notice.

## INSTALLATION

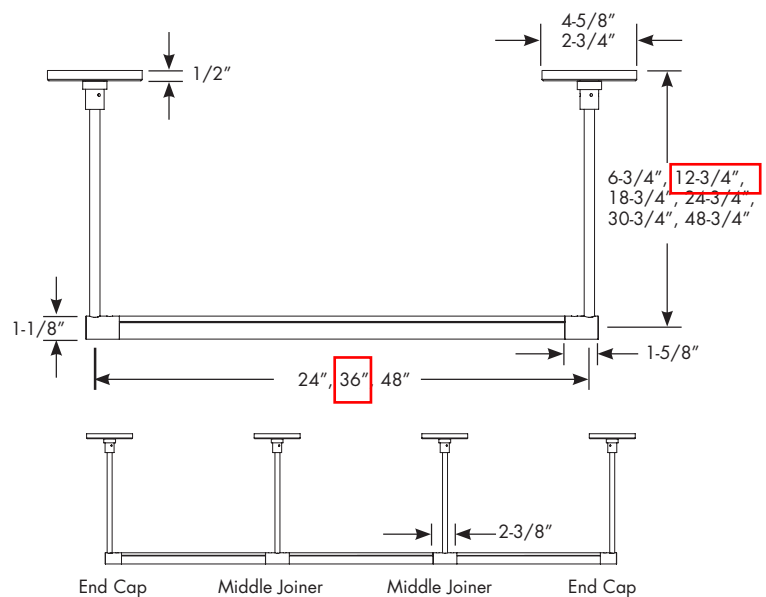
**Mounting Options** Stems are capable of mounting to j-box or direct to wall/ceiling. From ceiling stem lengths: 6", 12", 18", 24", 30" and 48" (18" max stem length from wall.)

Canopy options – 2" round, 4" square, 4" round.

Fluorescent versions also available.  
See the DanaLite DF Series.



## DIMENSIONS



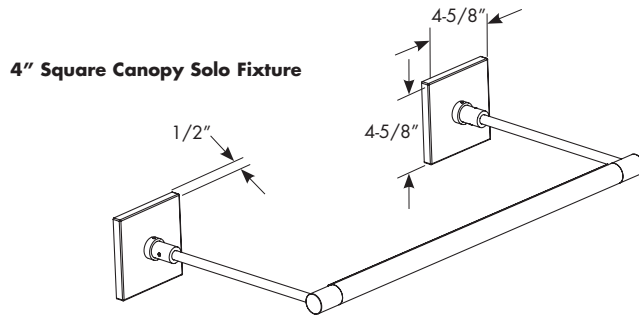
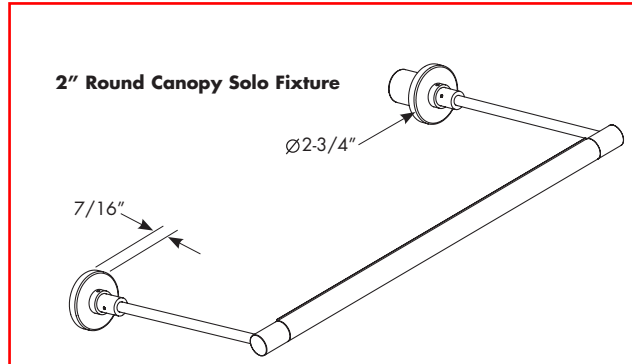
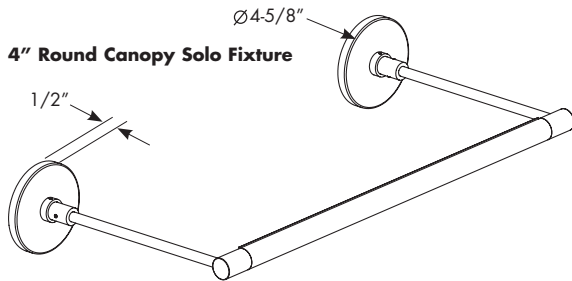
Contact: Rohan Periana @ Saalex - 416 457 6432

REV-9/13

# DANALITE LINEAR LED SIGN/DISPLAY

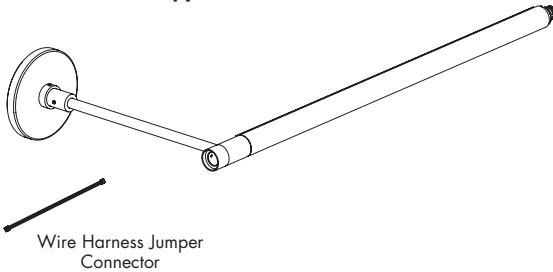
## DIMENSIONS

### SOLO FIXTURE

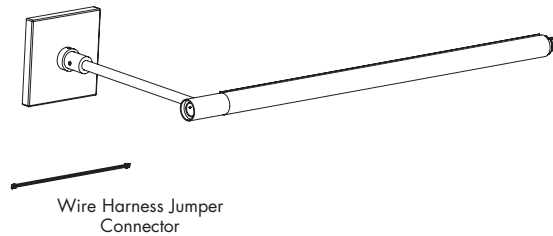


### MULTI FIXTURE

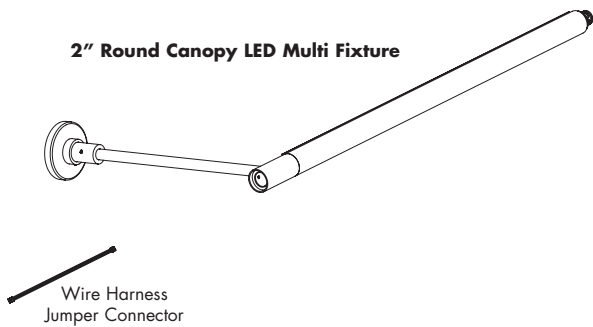
**4" Round Canopy Multi Fixture**



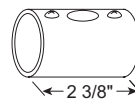
**4" Square Canopy Multi Fixture**



**2" Round Canopy LED Multi Fixture**



**Multi Joiner Accessory**



Contact: Rohan Periana @ Salex - 416 457 6432

1300 S. Wolf Road • Des Plaines, IL 60018 • Phone (847) 827-9880 • Fax (847) 827-2925  
 220 Chrysler Drive • Brampton, Ontario • Canada L6S 6B6 • Phone (905) 792-7335 • Fax (905) 792-0064  
 Visit us at [www.junolightinggroup.com](http://www.junolightinggroup.com)

Printed in U.S.A. ©2013 Juno Lighting, LLC.

# DANALITE LINEAR LED SIGN/DISPLAY

## ORDERING INFORMATION

Example: **DL25-S30-4R12-WH**

See instruction sheet or brochure for more configuration and ordering examples.

Example: **MJA-BA**

| Fixture       | Fixture Length                                     | Solo or Multiple                   | Performance                                      | Color Temperature                  | Canopy/Power Supply  | Mounting Stem Length*   | Finish   | Lens Type   | Accessories   | Finish   |
|---------------|--|------------------------------------|--|------------------------------------|--|---|--|---|---|--|
| <b>DL</b>     | <b>2</b>   | <b>S</b>                           | <b>S</b>   | <b>30</b>                          | <b>4R</b>  | <b>12</b>   | <b>WH</b>  |   | <b>MJA</b>  | <b>BA</b>  |
| <b>DL</b> LED | <b>2</b> 2 ft.<br><b>3</b> 3 ft.<br><b>4</b> 4 ft. | <b>S</b> Solo<br><b>M</b> Multiple | <b>S</b> Standard Output<br><b>H</b> High Output | <b>30</b> 3000K<br><b>40</b> 4000K | <b>2R</b> 2" Round/Remote<br><b>4R</b> 4" Round/Remote<br><b>4S</b> 4" Square/Remote | <b>06</b> 6"<br><b>12</b> 12"<br><b>18</b> 18"<br><b>24</b> 24"<br><b>30</b> 30"<br><b>48</b> 48" | <b>WH</b> White Paint<br><b>BL</b> Black Paint<br><b>BA</b> Brushed Aluminum | <b>C</b> Clear<br><b>F</b> Frosted<br>Blank for No Lens | <b>MJA</b> Multi Joiner (For Multi-Power Supply LED Applications) | <b>WH</b> White Paint<br><b>BL</b> Black Paint<br><b>BA</b> Brushed Aluminum |

\*18" max. length for wall installations

## WATTAGE INFORMATION

### LED FIXTURE WATTAGE

| Length | High Output | Standard Output |
|--------|-------------|-----------------|
| 2'     | 24W         | 16W             |
| 3'     | 36W         | 24W             |
| 4'     | 48W         | 32W             |
| 6'     | 72W         | 48W             |
| 8'     | 96W         | 64W             |

### LED Approved Dimmers

| Lutron Model No.  | Leviton Model No. |
|-------------------|-------------------|
| <b>NTF-10</b>     | <b>IP710-DLX</b>  |
| <b>NTF-10-277</b> |                   |

Consult Technical Services or the factory for additional dimmers.

## POWER SUPPLY OPTIONS (REMOTE MOUNT)

### LED Drivers

#### Non-Dimmable

|                   |   |
|-------------------|---|
| <b>DLD-80-120</b> | Non-Dimmable 80W Remote 24VDC (120V input)      |
| <b>DLD-100</b>    | Non-Dimmable 100W Remote 24VDC (120-277V input) |

#### Dimmable

|                    |                                      |
|--------------------|--------------------------------------|
| <b>DLD-60-DIM</b>  | Dimmable 60W 24VDC (120-277V input)  |
| <b>DLD-100-DIM</b> | Dimmable 100W 24VDC (120-277V input) |

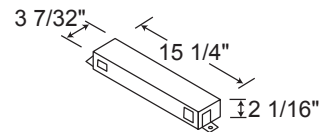
**Finish:** Natural Aluminum

### Factory Installed Cord & Plug Option (LED Only)

(Add suffix to driver - Non dimming only)

| Suffix        | Description                           |
|---------------|---------------------------------------|
| <b>-CP6WH</b> | 6 Ft cord w/3-prong plug, white, 120V |
| <b>-CP6BL</b> | 6 Ft cord w/3-prong plug, black, 120V |

Example: DLD-80-120-CP6WH



Contact: Rohan Periana @ Salex - 416 457 6432

1300 S. Wolf Road • Des Plaines, IL 60018 • Phone (847) 827-9880 • Fax (847) 827-2925  
 220 Chrysler Drive • Brampton, Ontario • Canada L6S 6B6 • Phone (905) 792-7335 • Fax (905) 792-0064  
 Visit us at [www.junolightinggroup.com](http://www.junolightinggroup.com)

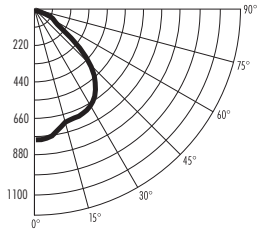
Printed in U.S.A. ©2013 Juno Lighting, LLC.

# DANALITE

## LINEAR LED SIGN/DISPLAY

### PHOTOMETRIC REPORT

Test Report #: PTO2132204  
 Catalog No: DL4S-H30  
 3000K with Clear Lens  
 Luminaire LPW: 53.77



### CANDLEPOWER DISTRIBUTION (Candelas)

| Degrees Vertical | 0°  |
|------------------|-----|
| 0                | 793 |
| 5                | 788 |
| 15               | 766 |
| 25               | 719 |
| 35               | 649 |
| 45               | 552 |
| 55               | 433 |
| 65               | 285 |
| 75               | 119 |
| 85               | 15  |
| 90               | 0   |

Multiplier for Standard Output: 0.66

### AVERAGE INITIAL FOOTCANDLES

Multiple Units (Square Array, 60'x60' room)  
 Ceiling 80% Wall 50% Floor 20%

| Spacing | RCR1 | RCR3 | RCR5 |
|---------|------|------|------|
| 4.0'    | 130  | 101  | 81   |
| 5.0'    | 83   | 65   | 52   |
| 6.0'    | 58   | 45   | 36   |
| 7.0'    | 47   | 37   | 29   |
| 8.0'    | 37   | 29   | 23   |
| 9.0'    | 28   | 22   | 18   |
| 10.0'   | 21   | 16   | 13   |

### ZONAL LUMEN SUMMARY

| Zone  | Lumens | %Lamp | %Fixture |
|-------|--------|-------|----------|
| 0-30° | 600    | N/A   | 30.7     |
| 0-40° | 990    | N/A   | 50.7     |
| 0-60° | 1697   | N/A   | 86.8     |
| 0-90° | 1952   | N/A   | 99.8     |

### INITIAL FOOTCANDLES

(One Unit, 53.8W , 114.7° Beam)

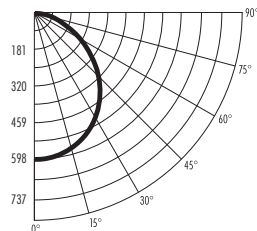
| Distance to Illuminated Plane (Feet) | Footcandles Beam Center | Beam Diameter |
|--------------------------------------|-------------------------|---------------|
| 6                                    | 22.0                    | 18.7'         |
| 8                                    | 12.4                    | 25.0'         |
| 10                                   | 7.9                     | 31.2'         |
| 12                                   | 5.5                     | 37.5'         |

### LUMINANCE (Average cd/m<sup>2</sup>)

| Degrees | Average Luminance |
|---------|-------------------|
| 45      | 30051             |
| 55      | 29044             |
| 65      | 25933             |
| 75      | 17646             |
| 85      | 6738              |

### PHOTOMETRIC REPORT

Test Report #: PTO2132205  
 Catalog No: DL4S-H30  
 3000K with Frosted Lens  
 Luminaire LPW: 53.90



### CANDLEPOWER DISTRIBUTION (Candelas)

| Degrees Vertical | 0°  |
|------------------|-----|
| 0                | 598 |
| 5                | 595 |
| 15               | 572 |
| 25               | 532 |
| 35               | 467 |
| 45               | 382 |
| 55               | 288 |
| 65               | 195 |
| 75               | 116 |
| 85               | 60  |
| 90               | 42  |

Multiplier for Standard Output: 0.66

### AVERAGE INITIAL FOOTCANDLES

Multiple Units (Square Array, 60'x60' room)  
 Ceiling 80% Wall 50% Floor 20%

| Spacing | RCR1 | RCR3 | RCR5 |
|---------|------|------|------|
| 4.0'    | 111  | 85   | 68   |
| 5.0'    | 71   | 54   | 43   |
| 6.0'    | 49   | 38   | 30   |
| 7.0'    | 40   | 31   | 24   |
| 8.0'    | 32   | 24   | 19   |
| 9.0'    | 24   | 18   | 15   |
| 10.0'   | 18   | 14   | 11   |

### ZONAL LUMEN SUMMARY

| Zone  | Lumens | %Lamp | %Fixture |
|-------|--------|-------|----------|
| 0-30° | 463    | N/A   | 26.6     |
| 0-40° | 754    | N/A   | 43.4     |
| 0-60° | 1307   | N/A   | 75.0     |
| 0-90° | 1691   | N/A   | 97.1     |

### INITIAL FOOTCANDLES

(One Unit, 53.9W , 103.6° Beam)

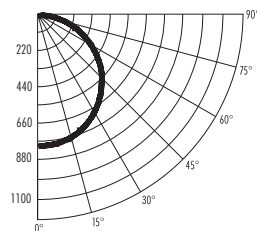
| Distance to Illuminated Plane (Feet) | Footcandles Beam Center | Beam Diameter |
|--------------------------------------|-------------------------|---------------|
| 6                                    | 16.6                    | 15.2'         |
| 8                                    | 9.3                     | 20.3'         |
| 10                                   | 6.0                     | 25.4'         |
| 12                                   | 4.2                     | 30.5'         |

### LUMINANCE (Average cd/m<sup>2</sup>)

| Degrees | Average Luminance |
|---------|-------------------|
| 45      | 20489             |
| 55      | 18728             |
| 65      | 16496             |
| 75      | 13173             |
| 85      | 6627              |

### PHOTOMETRIC REPORT

Test Report #: PTO2132206  
 Catalog No: DL4S-H30  
 3000K with No Lens  
 Luminaire LPW: 53.84



### CANDLEPOWER DISTRIBUTION (Candelas)

| Degrees Vertical | 0°  |
|------------------|-----|
| 0                | 802 |
| 5                | 799 |
| 15               | 774 |
| 25               | 722 |
| 35               | 645 |
| 45               | 550 |
| 55               | 438 |
| 65               | 308 |
| 75               | 174 |
| 85               | 49  |
| 90               | 0   |

Multiplier for Standard Output: 0.66

### AVERAGE INITIAL FOOTCANDLES

Multiple Units (Square Array, 60'x60' room)  
 Ceiling 80% Wall 50% Floor 20%

| Spacing | RCR1 | RCR3 | RCR5 |
|---------|------|------|------|
| 4.0'    | 154  | 117  | 92   |
| 5.0'    | 98   | 75   | 59   |
| 6.0'    | 68   | 52   | 41   |
| 7.0'    | 55   | 42   | 33   |
| 8.0'    | 44   | 33   | 26   |
| 9.0'    | 33   | 25   | 20   |
| 10.0'   | 25   | 19   | 15   |

### ZONAL LUMEN SUMMARY

| Zone  | Lumens | %Lamp | %Fixture |
|-------|--------|-------|----------|
| 0-30° | 627    | N/A   | 26.5     |
| 0-40° | 1029   | N/A   | 43.5     |
| 0-60° | 1842   | N/A   | 77.9     |
| 0-90° | 2365   | N/A   | 100.0    |

### INITIAL FOOTCANDLES

(One Unit, 53.8W , 115.6° Beam)

| Distance to Illuminated Plane (Feet) | Footcandles Beam Center | Beam Diameter |
|--------------------------------------|-------------------------|---------------|
| 6                                    | 22.3                    | 19.1'         |
| 8                                    | 12.5                    | 25.4'         |
| 10                                   | 8.0                     | 31.8'         |
| 12                                   | 5.6                     | 38.1'         |

### LUMINANCE (Average cd/m<sup>2</sup>)

| Degrees | Average Luminance |
|---------|-------------------|
| 45      | 29934             |
| 55      | 29383             |
| 65      | 28106             |
| 75      | 25874             |
| 85      | 21562             |



1300 S. Wolf Road • Des Plaines, IL 60018 • Phone (847) 827-9880 • Fax (847) 827-2925  
 220 Chrysler Drive • Brampton, Ontario • Canada L6S 6B6 • Phone (905) 792-7335 • Fax (905) 792-0064  
 Visit us at [www.junolightinggroup.com](http://www.junolightinggroup.com)

Printed in U.S.A. ©2013 Juno Lighting, LLC.