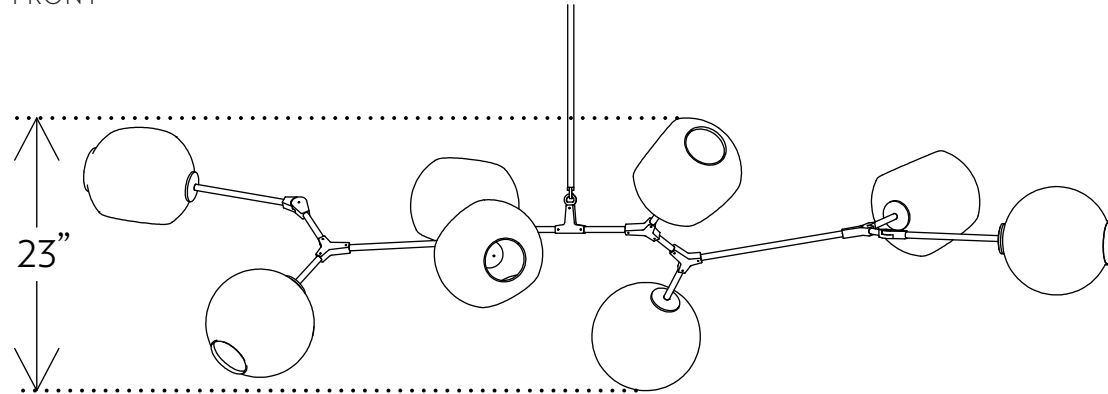




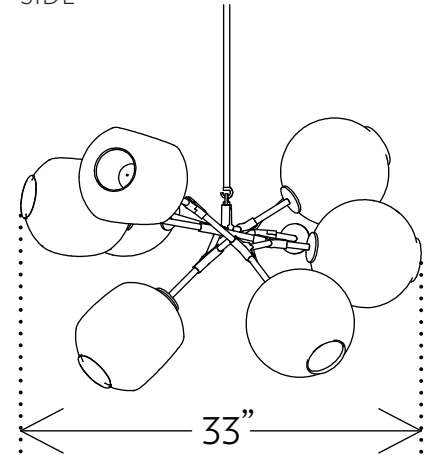
BRANCHING BUBBLE BB.08.03

H 23in/58cm W 86in/218cm D 33in/84cm WT 32lb/15kg MAX 480w Shown with 9" globes

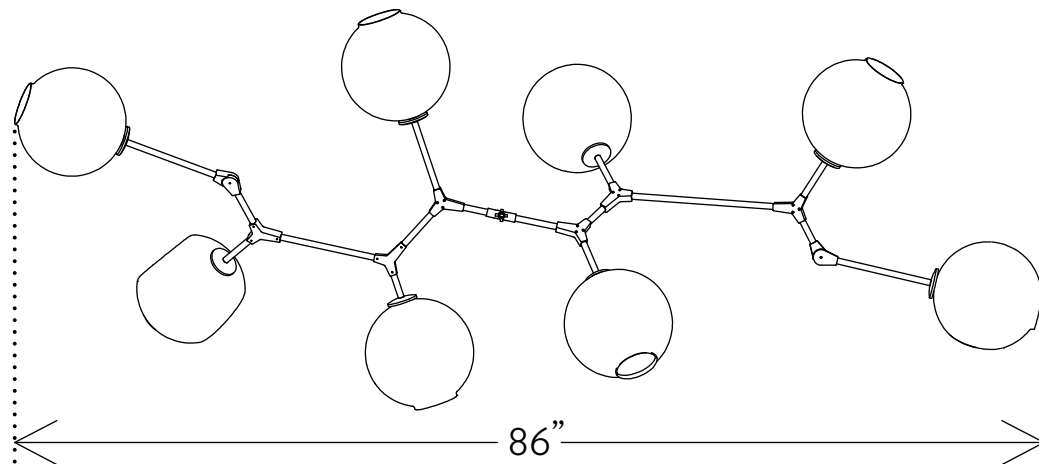
FRONT



SIDE



TOP





BRANCHING BUBBLE Lindsey Adelman and her team design and build each fixture to order in their Manhattan studio. Further details including packing, shipping and installation can be found at www.lindseyadelman.com.

SUSPENSION Stem cut to length

CANOPY 5" round canopy with hang straight

MATERIALS Machined Brass Glass

FINISHES Brushed Brass Vintage Brass Oil-Rubbed Bronze Satin Nickel Custom Finishes +20%

GLASS STANDARD GLASS 9" Globe 7" Globe 6" Pod Clear White

CUSTOM GLASS (upcharges apply) Grey Gold foil Murrine

BULBS	BULB TYPE	SOCKET	WATTAGE
120V	Double loop Edison	e26/e12	40w/60w
	Bi-pin halogen	g4	10w/20w/25w
	LED	e26	3w
	Xenon	e26/e12	20w/40w/60w
220/230V	Quad loop Edison	e27	60w
	Bi-pin halogen	g4	10w/20w
	LED	e26	3w

