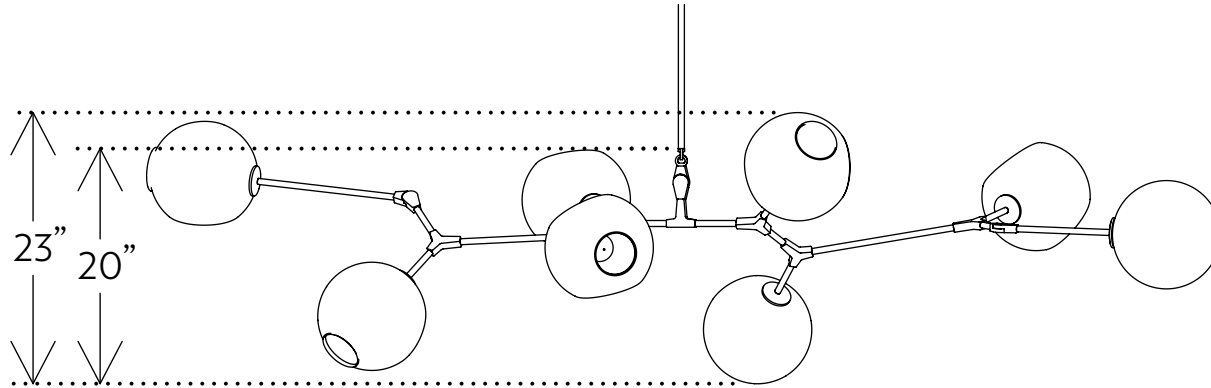




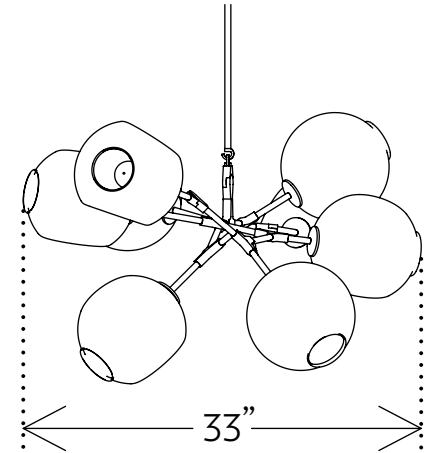
BRANCHING BUBBLE BB.08.03

H 23in/58cm W 90in/229cm D 33in/84cm WT 32lb/15kg MAX 480w Shown with 9" globes

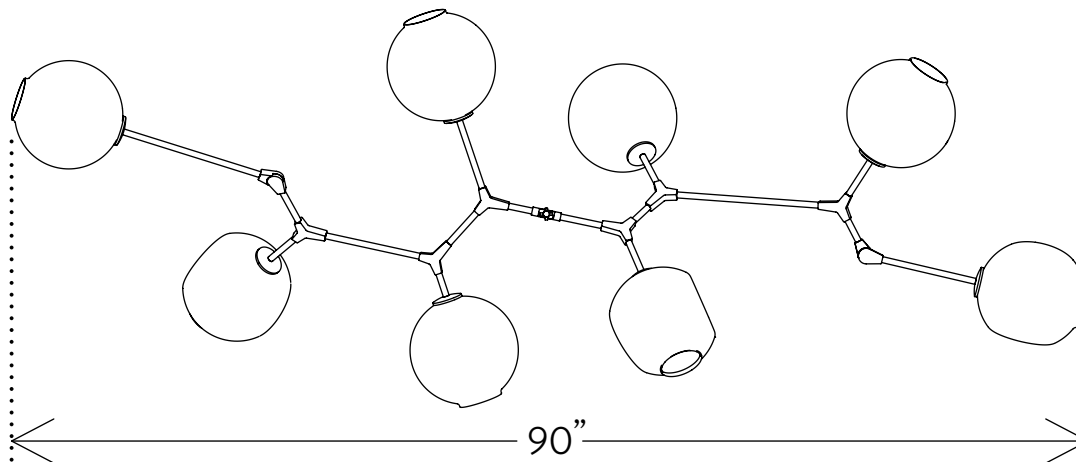
FRONT



SIDE



TOP





BRANCHING BUBBLE

Inspired by natural phenomena, Branching explores the visual tension that results from mixing hand-blown glass with machine-made metal parts. Lindsey Adelman and her team design and build each fixture to order.

SUSPENSION Includes 36" or 72" stem that can be cut on-site. Longer lengths available upon request.

CANOPY Ø 5" x H .25"

MATERIALS Machined Brass Glass

SHADES 9" Glass Globe

BULBS	BULB TYPE	SOCKET	WATTAGE
120V	Double loop Edison	e26	60w
220/230V	Quad loop Edison	e27	60w