

6 202 0357 62 11

NIC L 600mA-DC 2x40W
120V GI 2 MTK HP

6 202 0357 62 21

NIC L 600mA-DC 2x40W
277V GI 2 MTK HP

6 202 0359 62 11

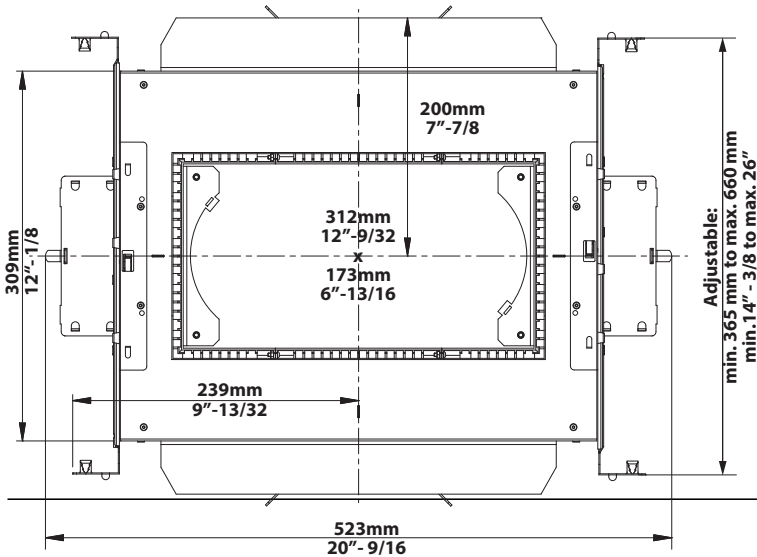
NIC L 700mA-DC 2x40W
120V GI 2 MTK HP

6 202 0359 62 21

NIC L 700mA-DC 2x40W
277V GI 2 MTK HP

NIC

MS



APPLICATION

For use in new construction applications where no insulating material can be present. DeltaLight Grid In 2 Mounting Kit HP fit to the plasterframe Suitable for damp locations.

CEILING THICKNESS

For 5/8" ceiling standard

LED POWER SUPPLY

Electronic power supply for 120V or 277V primary and 600mA or 700mA current controlled class 2 secondary LED Power supply accessible from below ceiling

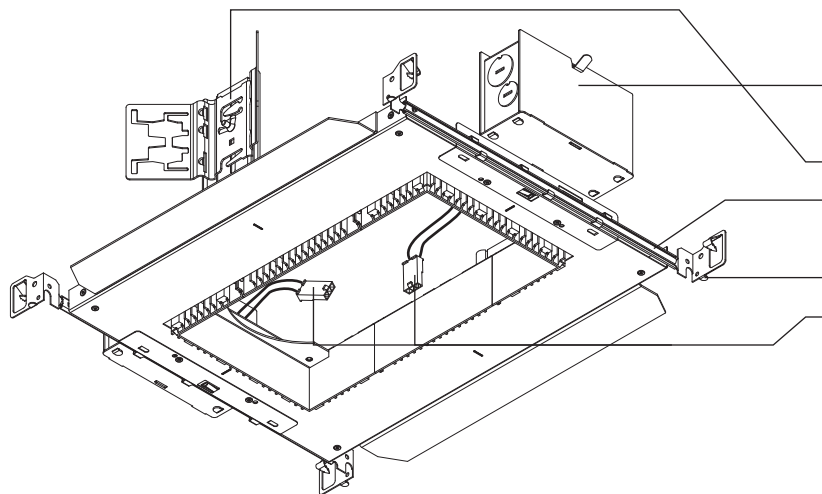
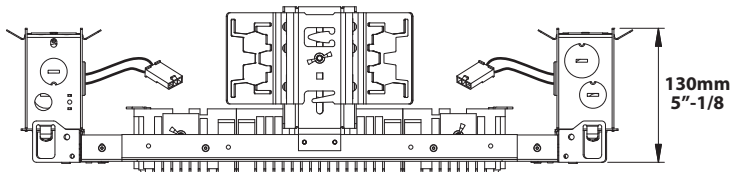
CONNECTOR

Plasterframe and trim connection through snap-in connector

DIMENSIONS

Height: 130mm = 5"-1/8
Length: 523mm = 20"- 9/16
Width: 309mm = 12"-1/8

Ceiling Cut out: 173mm x 312mm = 6"-13/16 x 12"-9/32



SPECIFICATION FEATURES

- Galvanized steel construction
- Junction box with snap-in internal cover and screw-on external cover.
- Through circuit wiring with 4 in, 4 out #12 wire.
- Preinstalled butterfly brackets, adjustable in height 2"- 3/4.
- Standard Bar Hangers allow plasterframe to be positioned and locked by squeezing lock tabs with pliers. Standard Bar Hangers expand to max 26" - reduce to min 14"- 3/8.
- Bar hanger foot aligns to bottom of construction joist
- Snap-in connectors female part

COMPATIBLE FINISHING SECTION

	COMPATIBLE FINISHING SECTION	PLASTERFRAME
CRI80	GRID IN TRIMLESS 2 HP 303027 6 202 684 20222	6 202 0357 62 11 / 6 202 0357 62 21
	GRID IN TRIMLESS 2 HP 303050 6 202 684 20232	6 202 0357 62 11 / 6 202 0357 62 21
CRI90	GRID IN TRIMLESS 2 HP 303027-9 6 202 684 209222	6 202 0359 62 11 / 6 202 0359 62 21
	GRID IN TRIMLESS 2 HP 303050-9 6 202 684 209232	6 202 0359 62 11 / 6 202 0359 62 21

ORDER INFORMATION

	Range	Installation type	Lamp Source	Opening	Voltage 1 - 120V 2 - 277V 3 - 120-277V	Mounting Option 0 - No bar hangers 1 - Bar hangers standard
CRI80	6 202	03 - NIC Plasterframe L	57 - 600mA-DC 2x40W 120V	62 - GI 2 MTK HP	1 - 120V	1 - Bar hangers standard
	6 202	03 - NIC Plasterframe L	57 - 600mA-DC 2x40W 277V	62 - GI 2 MTK HP	2 - 277V	1 - Bar hangers standard
CRI90	6 202	03 - NIC Plasterframe L	59 - 700mA-DC 2x40W 120V	62 - GI 2 MTK HP	1 - 120V	1 - Bar hangers standard
	6 202	03 - NIC Plasterframe L	59 - 700mA-DC 2x40W 277V	62 - GI 2 MTK HP	2 - 277V	1 - Bar hangers standard