



# SPLITLINE 52

This recessed profile can be interpreted in very varied ways, depending on what the space needs, both functionally and in terms of design. The bigger Splitline 52 offers new opportunities thanks to the extended range of flexible modules, such as led modules or the You Turn Pro module, enabling an eye-catching combination of Splitline and You-Turn.



Installation: [www.deltalight.com/Splitline](http://www.deltalight.com/Splitline)





## Splitline 52

**PROFILE**



**SPL 52 - PROFILE** ◇  
**6 372 52 00** ◇  
 ◇ = B  
 MAX.L / PROFILE : 6m / 19'-3/4  
 Lbs / ft.  
 3.34



TOL EN12020-2

**END CAP**

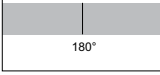


**SPL 52 - END CAP** ◇  
**372 52 03 01** ◇  
 ◇ = B  
 0.2

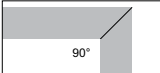


**CORNER**

**SPL 52 - CORNER 180°**  
**6 372 52 06 01**  
 0.7

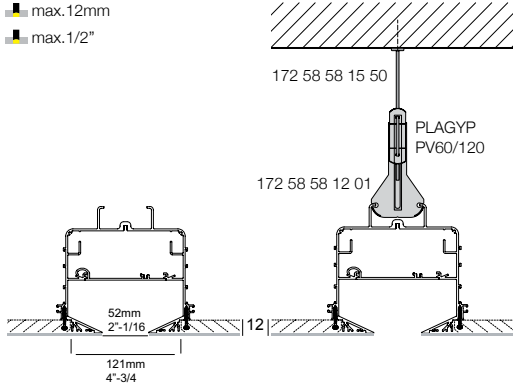


**SPL 52 - CORNER 90°**  
**6 372 52 06 06**  
 0.7



**FIXATION**

■ max.12mm  
 ■ max.1/2"



172 58 58 15 50  
 PLAGYP  
 PV60/120  
 172 58 58 12 01  
 52mm  
 2'-1/16  
 121mm  
 4'-3/4  
 12

**CURRENT SUPPLY**

4000K ●

3000K ●

REFLECTOR FL-33°

REFLECTOR WFL-50°

2700K ●

REFLECTOR FL-33°

REFLECTOR WFL-50°



**Splitline 52 LED**

L 220mm L 280mm L 320mm  
L 8"-11/16 L 11" L 12"-5/8



**Splitline 52 LED D**

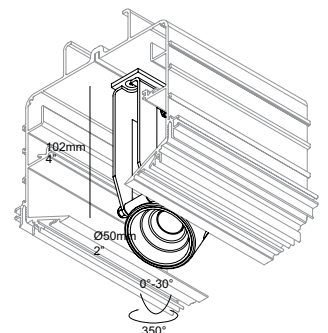
L 220mm L 280mm L 320mm  
L 8"-11/16 L 11" L 12"-5/8



**Splitline 52 RB LED**

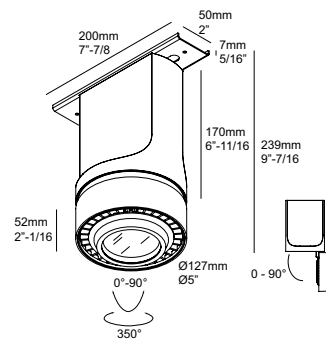
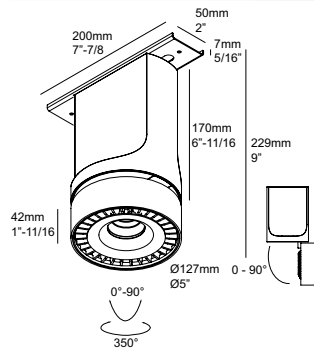
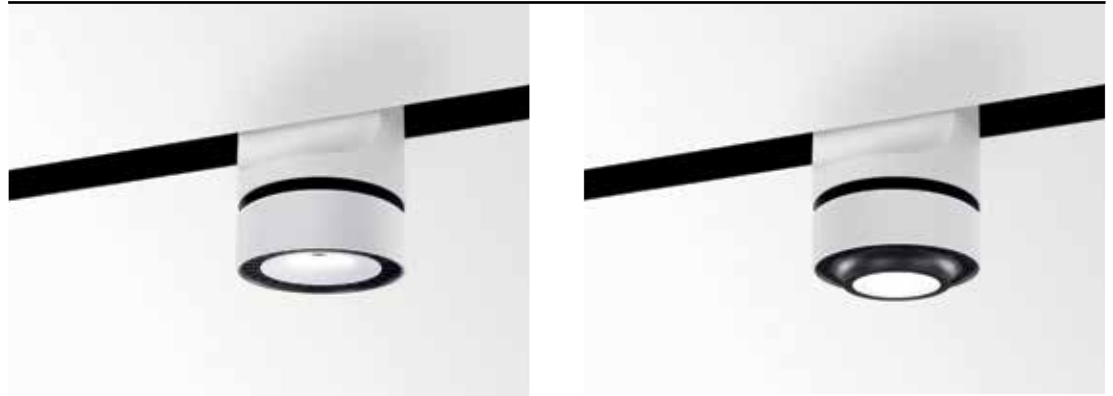
L 235mm L 365mm  
L 9"-1/4 L 14"-3/8

CRI > 80		CRI > 90		CRI > 80		CRI > 90		CRI > 80		CRI > 90	
CONTACT FACTORY						CONTACT FACTORY					
660 lm		580 lm		660 lm		580 lm		660 lm		580 lm	
SPL52 - 1 LED 3033 DIM1 6 372 52 61 8122 ED1	SPL52 - 2 LED 3033 DIM1 6 372 52 61 8222 ED1	SPL52 - 3 LED 3033 DIM1 6 372 52 61 8322 ED1	SPL52 - 1 LED 3033-9 DIM1 6 372 52 61 89122 ED1	SPL52 - 2 LED 3033-9 DIM1 6 372 52 61 89222 ED1	SPL52 - 3 LED 3033-9 DIM1 6 372 52 61 89322 ED1	SPL52 - 1 LED D 3033 DIM1 6 372 52 61 8122 D ED1	SPL52 - 2 LED D 3033 DIM1 6 372 52 61 8222 D ED1	SPL52 - 3 LED D 3033 DIM1 6 372 52 61 8322 D ED1	SPL52 - 1 LED D 3033-9 DIM1 6 372 52 61 89122 D ED1	SPL52 - 2 LED D 3033-9 DIM1 6 372 52 61 89222 D ED1	SPL52 - 3 LED D 3033-9 DIM1 6 372 52 61 89322 D ED1
SPL52 - 1 LED 3050 DIM1 6 372 52 61 8132 ED1	SPL52 - 2 LED 3050 DIM1 6 372 52 61 8232 ED1	SPL52 - 3 LED 3050 DIM1 6 372 52 61 8332 ED1	SPL52 - 1 LED 3050-9 DIM1 6 372 52 61 89132 ED1	SPL52 - 2 LED 3050-9 DIM1 6 372 52 61 89232 ED1	SPL52 - 3 LED 3050-9 DIM1 6 372 52 61 89332 ED1				SPL52 - 1 RB LED 3050 DIM1 6 372 52 63 8132 ED1	SPL52 - 2 RB LED 3050 DIM1 6 372 52 63 8232 ED1	SPL52 - 3 RB LED 3050 DIM1 6 372 52 63 8332 ED1
SPL52 - 1 LED 2733 DIM1 6 372 52 61 8123 ED1	SPL52 - 2 LED 2733 DIM1 6 372 52 61 8223 ED1	SPL52 - 3 LED 2733 DIM1 6 372 52 61 8323 ED1	SPL52 - 1 LED 2733-9 DIM1 6 372 52 61 89123 ED1	SPL52 - 2 LED 2733-9 DIM1 6 372 52 61 89223 ED1	SPL52 - 3 LED 2733-9 DIM1 6 372 52 61 89323 ED1	SPL52 - 1 LED D 2733 DIM1 6 372 52 61 8123 D ED1	SPL52 - 2 LED D 2733 DIM1 6 372 52 61 8223 D ED1	SPL52 - 3 LED D 2733 DIM1 6 372 52 61 8323 D ED1	SPL52 - 1 LED D 2733-9 DIM1 6 372 52 61 89123 D ED1	SPL52 - 2 LED D 2733-9 DIM1 6 372 52 61 89223 D ED1	SPL52 - 3 LED D 2733-9 DIM1 6 372 52 61 89323 D ED1
SPL52 - 1 LED 2750 DIM1 6 372 52 61 8133 ED1	SPL52 - 2 LED 2750 DIM1 6 372 52 61 8233 ED1	SPL52 - 3 LED 2750 DIM1 6 372 52 61 8333 ED1	SPL52 - 1 LED 2750-9 DIM1 6 372 52 61 89133 ED1	SPL52 - 2 LED 2750-9 DIM1 6 372 52 61 89233 ED1	SPL52 - 3 LED 2750-9 DIM1 6 372 52 61 89333 ED1				SPL52 - 1 RB LED 2750 DIM1 6 372 52 63 8133 ED1	SPL52 - 2 RB LED 2750 DIM1 6 372 52 63 8233 ED1	SPL52 - 3 RB LED 2750 DIM1 6 372 52 63 8333 ED1
FIXED INCL.POWERLED WHITE 7W INCL. DIMMABLE LED POWER SUPPLY 350mA-DC 120-277V / 60Hz DIMMING BY 0-10V			FIXED INCL.POWERLED WHITE 7W INCL. DIMMABLE LED POWER SUPPLY 350mA-DC 120-277V / 60Hz DIMMING BY 0-10V			ADJUSTABLE 0-30° / 350° INCL.POWERLED WHITE 7W INCL. DIMMABLE LED POWER SUPPLY 350mA-DC 120-277V / 60Hz DIMMING BY 0-10V			ADJUSTABLE 0-30° / 350° INCL.POWERLED WHITE 7W INCL. DIMMABLE LED POWER SUPPLY 350mA-DC 120-277V / 60Hz DIMMING BY 0-10V		
0.7 IP20			0.7 IP20			0.7 IP20			0.7 IP20		





### Splitline You-Turn LED



	CRI > 80	CRI > 90	CRI > 80	CRI > 90
<b>4000K</b>	CONTACT FACTORY		CONTACT FACTORY	
<b>3000K</b>	2130 lm	1750 lm	2130 lm	1750 lm
REFLECTOR SP-15°			YOU-TURN SPL OPTO 203015 DIM1 ◇ 6 313 121 20112 ED1 ◇ ◇ = W-B	YOU-TURN SPL OPTO 203015-9 DIM1 ◇ 6 313 121 209112 ED1 ◇ ◇ = W-B
REFLECTOR FL-33°	YOU-TURN SPL REO 203033 DIM1 ◇ 6 313 120 20122 ED1 ◇ ◇ = W-B	YOU-TURN SPL REO 203033-9 DIM1 ◇ 6 313 120 209122 ED1 ◇ ◇ = W-B	YOU-TURN SPL OPTO 203033 DIM1 ◇ 6 313 121 20122 ED1 ◇ ◇ = W-B	YOU-TURN SPL OPTO 203033-9 DIM1 ◇ 6 313 121 209122 ED1 ◇ ◇ = W-B
REFLECTOR WFL-50°	YOU-TURN SPL REO 203050 DIM1 ◇ 6 313 120 20132 ED1 ◇ ◇ = W-B	YOU-TURN SPL REO 203050-9 DIM1 ◇ 6 313 120 209132 ED1 ◇ ◇ = W-B		
REFLECTOR WFL-55°			YOU-TURN SPL OPTO 203055 DIM1 ◇ 6 313 121 20132 ED1 ◇ ◇ = W-B	YOU-TURN ON OPTO 203055-9 DIM1 ◇ 6 313 121 209132 ED1 ◇ ◇ = W-B
<b>2700K</b>	1990 lm	1735 lm	1990 lm	1735 lm
REFLECTOR SP-15°			YOU-TURN SPL OPTO 202715 DIM1 ◇ 6 313 121 20113 ED1 ◇ ◇ = W-B	YOU-TURN SPL OPTO 202715-9 DIM1 ◇ 6 313 121 209113 ED1 ◇ ◇ = W-B
REFLECTOR FL-33°	YOU-TURN SPL REO 202733 DIM1 ◇ 6 313 120 20123 ED1 ◇ ◇ = W-B	YOU-TURN SPL REO 202733-9 DIM1 ◇ 6 313 120 209123 ED1 ◇ ◇ = W-B	YOU-TURN SPL OPTO 202733 DIM1 ◇ 6 313 121 20123 ED1 ◇ ◇ = W-B	YOU-TURN SPL OPTO 202733-9 DIM1 ◇ 6 313 121 209123 ED1 ◇ ◇ = W-B
REFLECTOR WFL-50°	YOU-TURN SPL REO 202750 DIM1 ◇ 6 313 120 20133 ED1 ◇ ◇ = W-B	YOU-TURN SPL REO 202750-9 DIM1 ◇ 6 313 120 209133 ED1 ◇ ◇ = W-B		
REFLECTOR WFL-55°			YOU-TURN SPL OPTO 202755 DIM1 ◇ 6 313 121 20133 ED1 ◇ ◇ = W-B	YOU-TURN SPL OPTO 202755-9 DIM1 ◇ 6 313 121 209133 ED1 ◇ ◇ = W-B
	ADJUSTABLE 0°- 90° / 350° INCL. 1 x POWERLED WHITE 25W INCL. DIMMABLE LED POWER SUPPLY 700mA-DC DIMMING BY 1-10V 120-277V / 60Hz [3.5] IP20		ADJUSTABLE 0°- 90° / 350° INCL. 1 x POWERLED WHITE 25W INCL. 1 x EFT FILTER* INCL. DIMMABLE LED POWER SUPPLY 700mA-DC DIMMING BY 1-10V 120-277V / 60Hz [3.7] IP20	

\*EFT / EQUALISING FILTER TECHNOLOGY

