

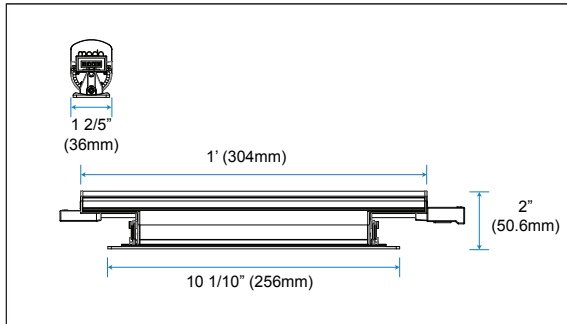
SPECIFICATION

Line Voltage LED Linear Fixture:

High output solid state linear system with integral 100-277v AC power supply. Fully dimmable with 0-10v dimming system's. Connect up to 100 feet of product using the quick connect modular connections that come with each fixture. Adjustable mounting bracket allows for easy adjustment when directing the light source. Diffused lens for quality light with no striations. KANDI STIX represents true innovation and technology, equipped with best in class output and thermal heat management function.



Dimensions:

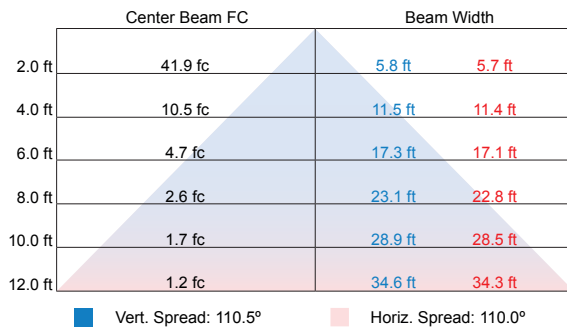


Output:

Delivered Lumens	440.00
CCT & SDMC	3000k - Single 3 SDMC Centered on Black Body Curve
Chromaticity Ordinates	x: 0.4373 y: 0.4035 u: 0.2510 v: 0.5212
Color Bin Tolerance	N/A - Freedom from Binning
Efficacy (lm/w)	56.48
CRI	85
Lumen Maintenance	70,000 Hours L70 @ 25°C : 90,000 Hours L50 @ 25°C 50,000 Hours L70 @ 50°C : 70,000 Hours L50 @ 50°C
Testing Data	Light Data LM-79-08 & LM-80-08

Illuminance at a Distance: Data Shown for 110°

(For lux multiply fc by 10.7)



Electrical:

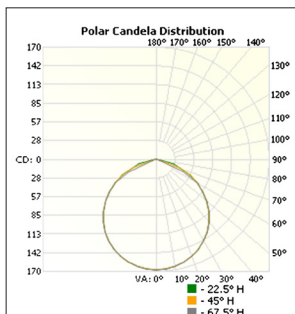
Input Voltage	100-277v AC 50/60Hz
Power Consumption	7.79w (0.12A) - Varies based on fixture quantity & driver
Power Factor	≥ 0.85
Dimming	0-10v Dimming Control
Emergency	N/A

Physical:

Applications	Cove, Accent & Indirect General Illumination
Dimensions	Length 1' (304mm) Width 1 2/5" (36mm) Height 2" (50.6mm)
Weight	14.4 oz (408g)
Construction	Pure Aluminum Fine Brushed Finish, Polycarbonate Lens
Thermal Management	MODA Aluminum Heat Sink
Optics	MODA Optical Grade Cyclo-Olefin Polymer
Fixture Connections	Integral Male & Female Connectors
Operating Temperature	-22°F ~ 122°F (-30°C ~ 70°C)
Storage Temperature	-40°F ~ 176°F (-40°C ~ 80°C)
Humidity	0-95% Non Condensing

Polar Candela Distribution:

Data Shown for 110°



Lumens per Zone:

Zone	Lumens	% Total
0-10	204.60	46.50%
10-20	139.92	31.80%
20-30	46.64	10.60%
30-40	20.68	4.70%
40-50	12.32	2.80%
50-60	7.04	1.60%
60-70	4.84	1.10%
70-80	2.64	0.60%
80-90	0.88	0.20%
90-100	0.00	0.00%

Project Name:			
Notes:			

SPECIFICATION

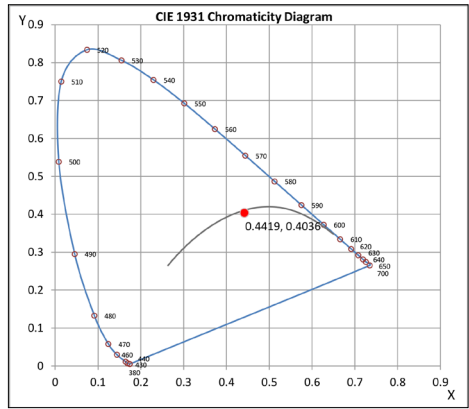
Zonal Lumen Summary:

Zone	Lumens	% Lamp	% Fixt
0-30	391.16	N.A.	88.90%
0-40	412.28	N.A.	93.70%
0-60	431.64	N.A.	98.10%
60-80	7.48	N.A.	1.70%
0-90	440.00	N.A.	100%
90-180	0.00	N.A.	0.00%
0-180	440.00	N.A.	100%

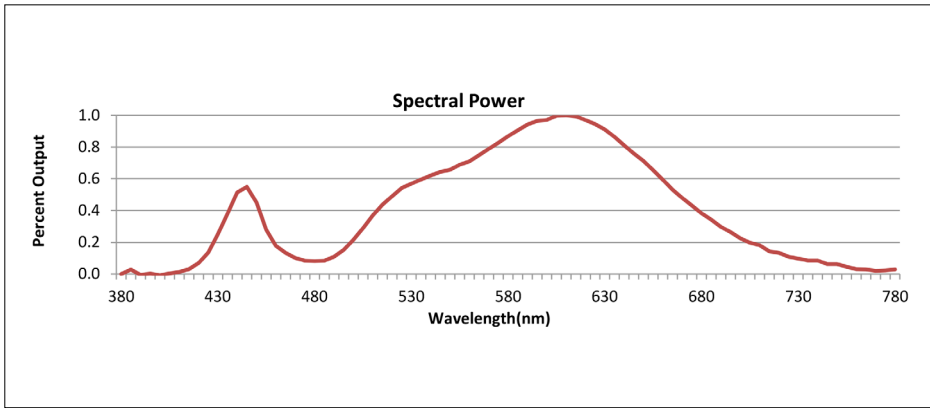
Luminance Data (cd/sq.m):

Angle in Degrees	Average 0-Deg	Average 45-Deg	Average 90-Deg
45	15764	15795	15723
55	14722	14912	14573
65	11075	13651	2396
75	10152	1364	2212
85	9065	1969	2312

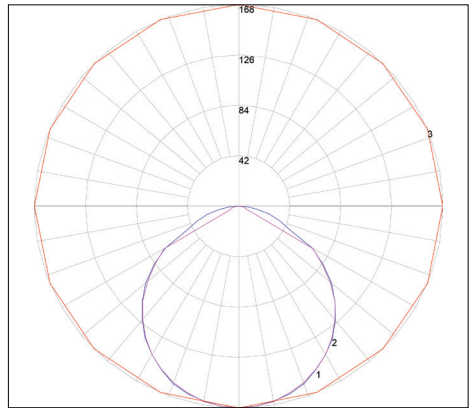
CIE 1931 Chromaticity Diagram:



Spectral Power:



Polar Graph: Data Shown for 110°



Accessories:

KANDI-STIX-LEADER-CABLE	KANDI-STIX-JUMPER-CABLE	KANDI-STIX-END-CAP Terminator for Last Fixture	KANDI-STIX-FROSTED-DIFFUSER	KANDI-STIX-CLEAR-DIFFUSER	KANDI-STIX-OPTICS
Power to First Fixture of Run	Allows Longer Connection Between Fixtures	Must be Fixed to Last Fixture for Safety	Frosted White Diffuser	Optional Clear Diffuser	Optics Available in Following Beam Angle:
Leader Cable. L: 10' (3.05m) Connector Dim. L: 1 2/5" (35mm) W: 1 1/10" (27mm) H: 2/5" (10mm)	Jumper Cable. L: 1' (305mm) Connector Dim. L: 1 7/10" (43mm) W: 1 1/10" (27mm) H: 3/5" (15mm)	L: 1 7/10" (43mm) W: 1 1/10" (27mm) H: 3/5" (15mm)	L: 11 4/5" (300mm) W: 1 3/10" (33mm) H: 2/5" (10mm)	L: 11 4/5" (300mm) W: 1 3/10" (33mm) H: 2/5" (10mm)	6° 10° 25° 40° 10° x 60° 30° x 60° 30° x 60° x 5°

Options:

Product Name	Color Temp	Beam Angle
KNDI-STIX-6	3000k - Warm White	6 - 6° Optic 10 - 10° Optic 25 - 25° Optic 40 - 40° Optic 10x60 - 10° x 60° Optic 30x60 - 30° x 60° Optic 30x60x5 - 30°x60°x5° Optic

Standards and Certifications:

Certification	Tested to UL & CSA by ETL For Use in USA & CANADA, Complies with California Title 24 Requirements, Lighting Facts. Exceeds ANSI C78.377A, CE & RoHS Compliant.
Class	Class 1
Environment	Dry Location - IP20
Warranty	5 Year Limited Warranty

Ordering:

Sample SKU:	KNDI-STIX-6-3000K-6
-------------	---------------------



MODA Products are protected under Worldwide Patents. Minimum order quantity may apply. Due to continuous improvements and innovations, specifications may change without notice. Please refer to our website for current technical data. These figures are provided as a guideline only and may vary with differing power supplies and installations. All rights reserved. E. & O.E.

© Copyright 2015 • 955 White Drive, Las Vegas, NV 89119 • T: 702 407 7775 • F: 702 407 7773 • www.modalight.com