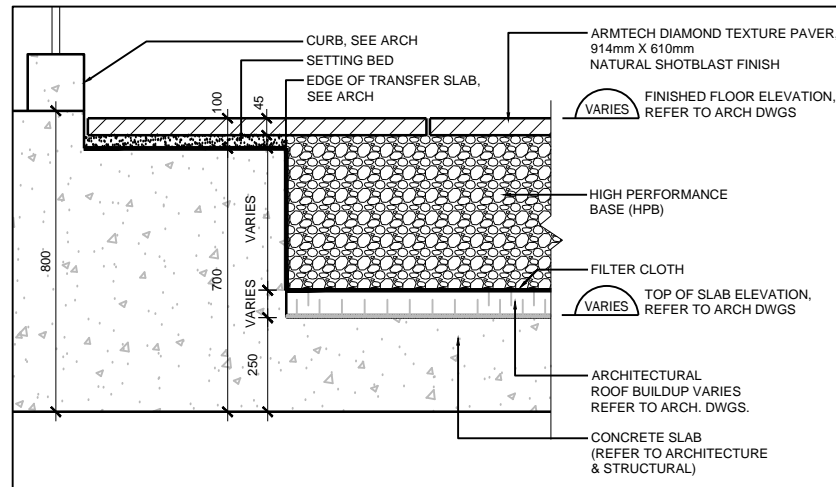
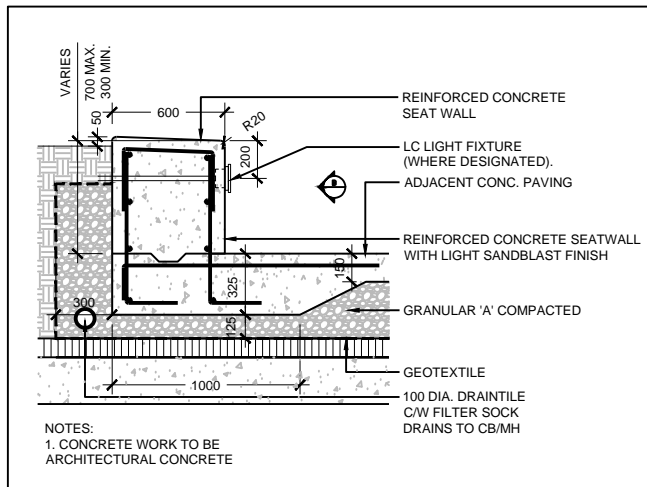


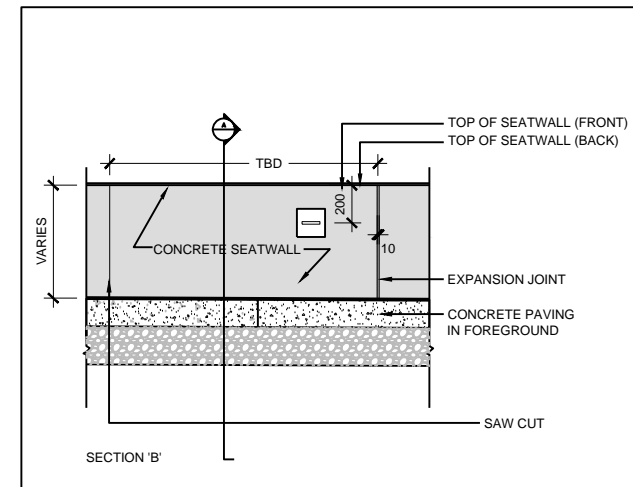
1 CONCRETE PAVING ON SLAB  
SCALE: 1:10



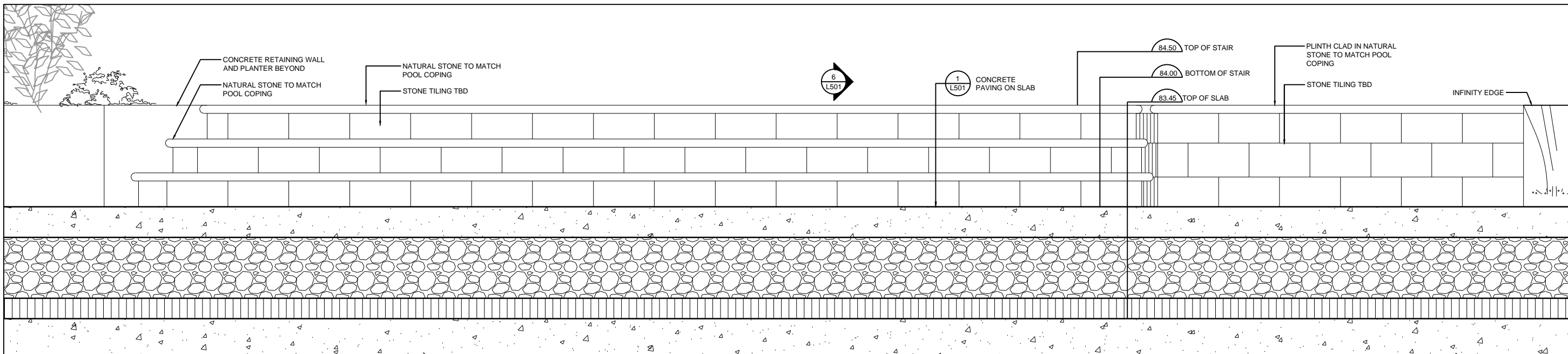
2 PATIO PAVERS ON SLAB  
SCALE: 1:10



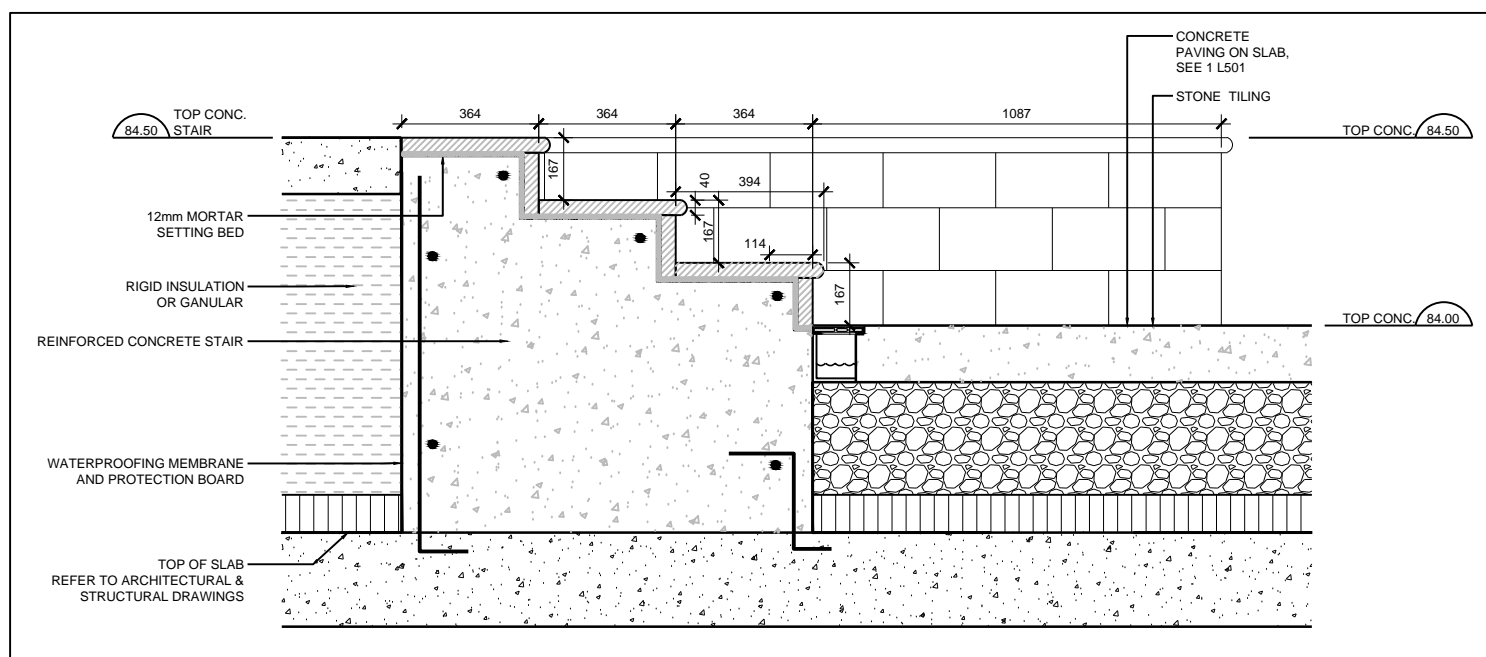
3 REINFORCED CONCRETE SEAT WALL  
SCALE: 1:20



4 SEAT WALL  
SCALE: 1:20



5 STAIR ELEVATION  
SCALE: 1:10



6 STAIR SECTION  
SCALE: 1:10

Contractor Must Check And Verify All Dimensions On The Job.  
Do Not Scale The Drawings.  
All Drawings, Specifications And Related Documents Are The Copyright Of The Architect And Must Be Returned Upon Request.  
Reproduction Of Drawings, Specifications And Related Documents In Part Or Whole Is Forbidden Without The Architects Written Permission.  
This Drawing Is Not To Be Used For Construction Until Signed By The Architect.  
Date:

**KIRKOR** | architects & planners  
20 Martin Ross Avenue, Toronto, ON M3J 2K8  
T(416) 665-6060, F(416) 665-1234  
www.kirkorarchitects.com

Janet Rosenberg & Studio  
Landscape Architecture and Urban Design  
1 416 658 5665 F 416 658 5756 www.jrstudio.ca  
148 Kerwood Avenue, Toronto Ontario M6C 2S3 Canada

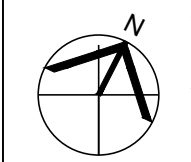
No.	Revision	Date
1.	Issued for Site Plan Approval to WT	15.01.30



Drawing Title  
**Landscape Details**

Project  
**Hines TRIDEL**

Aquavista  
BAYSIDE, TORONTO  
Scale  
NTS  
Drawn by CP  
Checked by RB  
Project No. 14-117  
Date 06/03/14



Drawing No.  
**L-501**