



## 24" Marvel Professional All Refrigerator with MaxStore™ Bin

Model # MP24RA

### Performance

- Dynamic Cooling Technology™ delivers the industry's best temperature stability and rapid cool down, tested and proven to cool nearly 2x faster than competitors
- Thermal-efficient cabinet ensures optimum food preservation and energy efficiency while maximizing capacity
- Now even quieter operation thanks to exclusive design enhancements to buffer and minimize sound

### Storage Capabilities

- 5.1 cu. ft. capacity, stores up to (115) 12-oz cans
- MaxStore™ smooth-glide clear bin organizes loose, bulky items; capable of storing 15 lbs of produce, 4 wine bottles or 22 cans
- Tall item storage: half-width interior shelf and extra door storage allows for high-clearance vertical storage
- Also includes (1) full-width smooth-glide stainless steel shelf, (1) half-width cantilevered, fully adjustable stainless steel shelf and (1) fixed stainless steel-framed glass shelf
- Access contents easily with roller-glide shelf

### Touchpad Controls

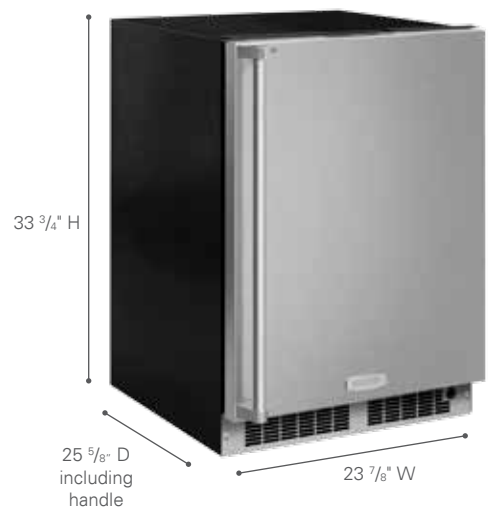
- Multifunction Marvel Intuit™ Integrated Controls allow you to select a precise cabinet temperature from 34° F to 42° F
- Vacation mode conserves energy during times when unit is not in use

### Aesthetics

- Soft-close integrated hinge provides a seamless zero clearance installation and a smooth gentle close
- At the touch of a button, change the interior light color to sapphire blue, amber glow, or arctic white
- Two-stage theater-style lighting offers full or half illumination
- Elegant midnight black interior
- Professional styling: sturdy full-length handle, sleek stainless steel shelf fronts and stainless steel toe kick adjustable to 4" with leveling legs
- Finish options: stainless steel or overlay (panel ready)

### Additional Convenience

- Close Door Assist System™ gently and automatically draws door to a close, ensuring door is never accidentally left ajar
- Door lock provides added safety and security
- 3-year parts and labor warranty, 5-year sealed system parts warranty



### Ordering Options

Solid Stainless Steel Door with Lock, Integrated Right Hinge, Professional Handle	MP24RAS4RS
Solid Stainless Steel Door with Lock, Integrated Left Hinge, Professional Handle	MP24RAS4LS
Panel-Ready Solid Overlay Door with Lock, Integrated Right Hinge (Handle Not Included)*	MP24RAP4RP
Panel-Ready Solid Overlay Door with Lock, Integrated Left Hinge (Handle Not Included)*	MP24RAP4LP

\*Easy installation! No panel kit required. Consult your cabinet maker for overlay panel and handle options.



### Finish Options

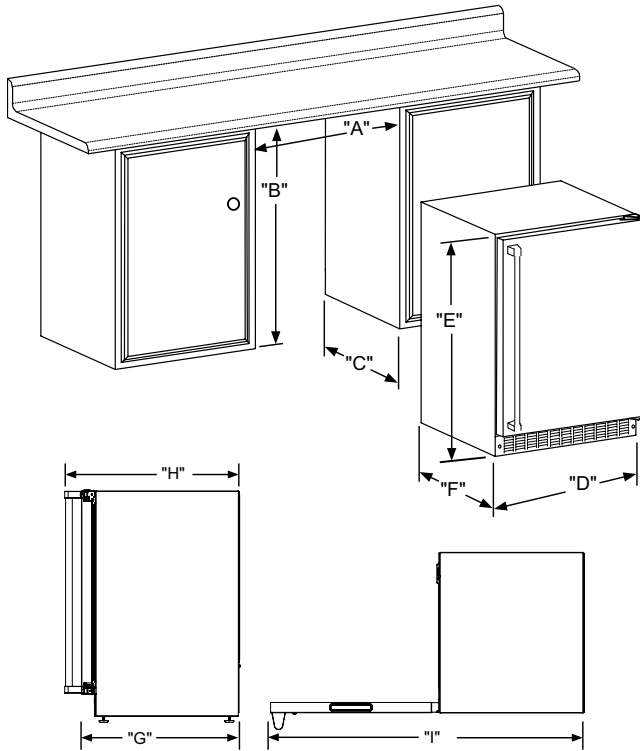


Stainless Steel

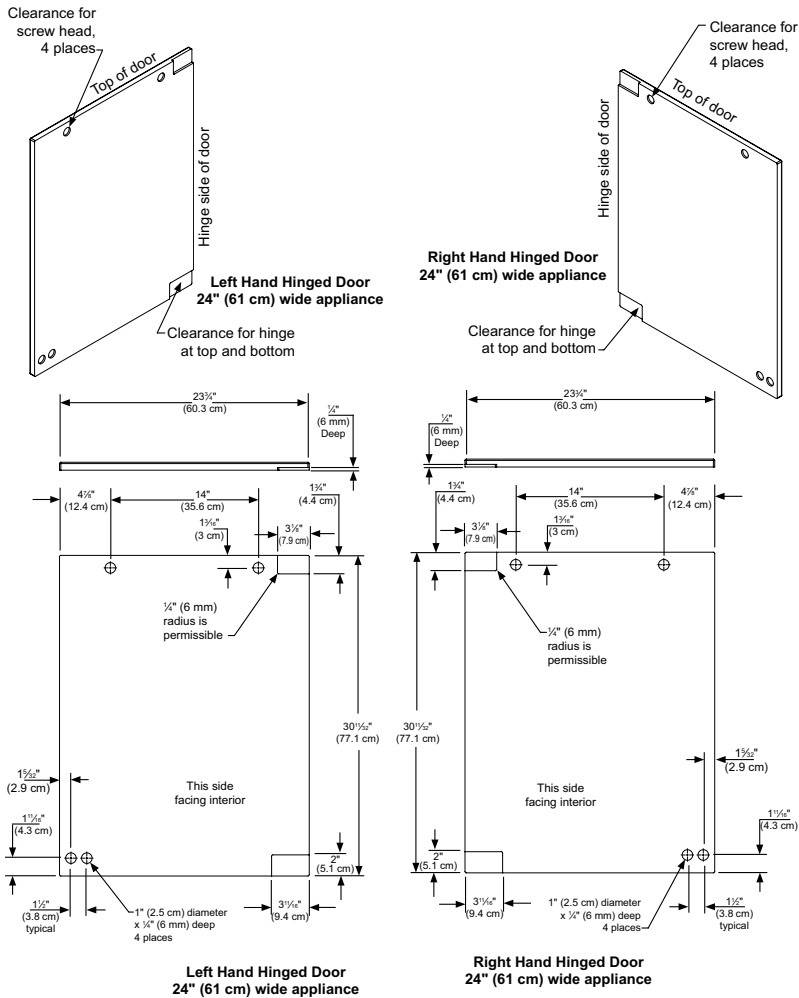


Solid Overlay (Panel Ready)\*

## Product Dimensions



## Panel Overlay Dimensions



## Rough-In Dimensions

A. Rough-In Width	24"
B. Rough-In Height	34 1/4" to 35 1/25"
C. Rough-In Depth	24"

## Product Dimensions

D. Width	23 7/8"	
E. Height	34" to 35"	
F. Depth	21 1/2"	
G. Depth to Front of Door	Solid Door	23 23/32"
	Overlay Door	22 7/8" Without Handle
H. Depth to Handle	26 7/32" (Stainless Steel)	
I. Depth with door at 90°	Solid Door	46 13/32"
	Overlay Door	46 1/2"

## Product Features

Interior Cabinet Finish	Black
Capacity	Up to 115 12-oz cans
Shelving System	Cantilever
Shelf Fronts	Stainless Steel
Other Storage	MaxStore™ Bin, Door Storage
Interior Lighting	Tri-Color LED
Toe Grill Finish	Stainless Steel
Hinge	Soft Close Integrated Hinge
Handle	Professional (Panel Overlay Does Not Include Handle)
Control Type	Intuit™
Temperature Range	34° to 42° F
Lock	Yes
Electrical Requirements	120V / 60Hz / 15A
Length of Power Cord	6'
Shipping Weight	160 lbs
Finishes	Stainless Steel, Overlay
Vacation Mode	Yes
Agency Approvals	CSA, ENERGY STAR

For comprehensive installation instructions, please visit [www.marvelrefrigeration.com](http://www.marvelrefrigeration.com) to access the owner's guide.