

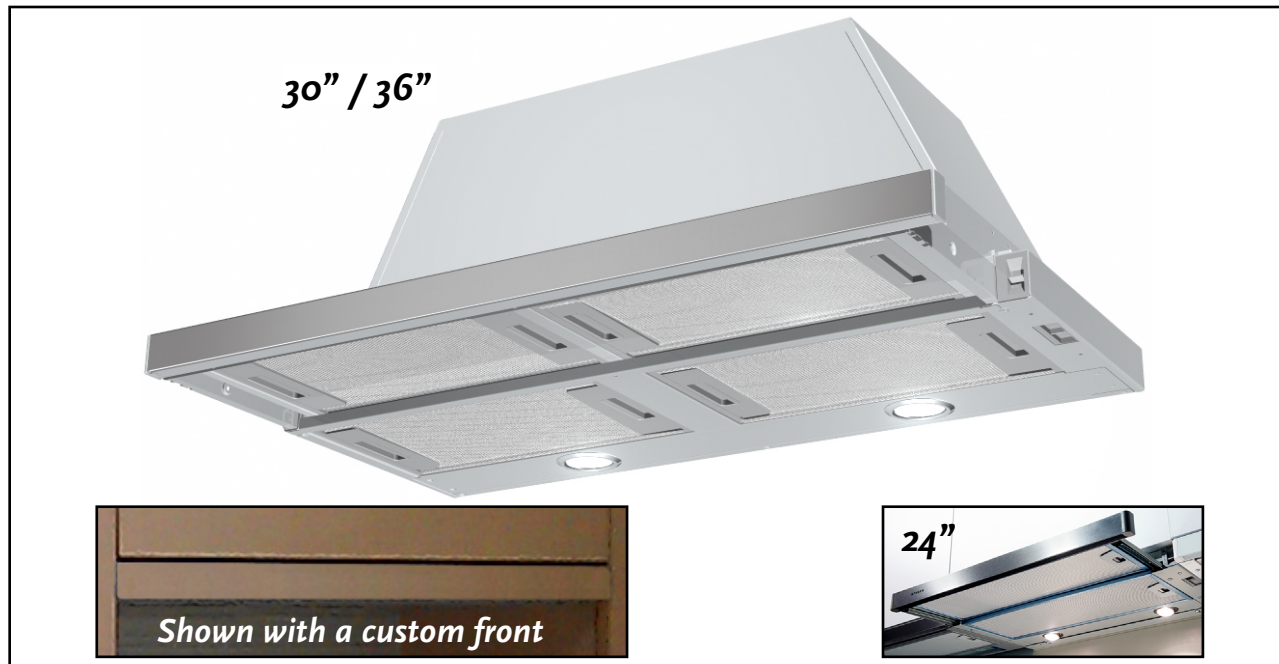
UPDATE - 30 / 36" sizes NOW with 600 and 300 CFM Models With SS Front & Halogen

Cristal - Slide Out Range Hood

FABER

ON AIR. SINCE 1955

powerful, practical, efficient under cabinet range hood



For a streamlined look in the kitchen, the Cristal is your integrated range hood solution. The Cristal has a **new** sleek **stainless steel pull-out visor** which slides in, flush with your cabinets, neatly tucking the hood away. Now with a powerful **600 cfm motor or a 300 cfm** model to address make-up air concerns. For an integrated look, the front strip can also be replaced with a custom built strip to match your cabinets.

Model #	Size Color	Performance Range	Sound Levels
CRIS24SS	24 SS	100 - 300 CFM	2.0 - 4.0 sones / 50 - 60 dB(A)
CRIS30SSH	30 SS	200 - 600 CFM	3.5 - 6.5 sones / 55 - 68 dB(A)
CRIS36SSH	36 SS	200 - 600 CFM	3.5 - 6.5 sones / 55 - 68 dB(A)
CRIS30SSH300	30 SS	100 - 300 CFM	2.0 - 5.0 sones / 50 - 63 dB(A)
CRIS36SSH300	36 SS	100 - 300 CFM	2.0 - 5.0 sones / 50 - 63 dB(A)

Stainless steel front trim now comes installed on Cristal 24, 30 and 36"

Accessories

Charcoal Filters # FILTER1

For recirculating installations, high quality, heavy duty filters ensure the removal of smoke and odors from the kitchen. Some ductwork is required to exhaust the unit out of the cabinet.



CFM Reducer Kit # CFMRED

For areas where an under 300 cfm hood is required to meet code. This duct collar / reducer shrinks the ducting to 5" round and reduces the cfm to under 300. Suitable for make-up air requirements.



Universal Make-Up Air Damper # MUDAMPER6 / MUDAMPER8 (6") (8")

Satisfies current make-up air requirements, this kit uses an air switch above the hood to activate the make-up air damper to open and bring fresh air into the home whenever the hood fan is operating and then close tightly when the hood is off. The CFM level is not reduced by using this kit.



Front Trim Kit

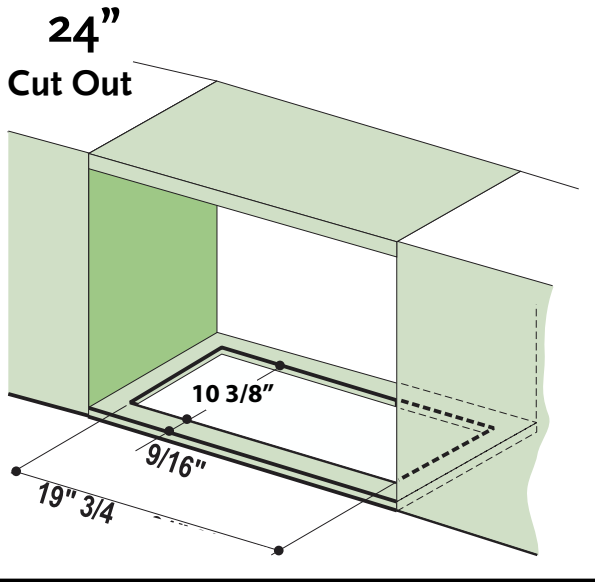
Replace stainless trim on the slide out hood with a black or white trim

CRTRIM30WH (30" white)
CRTRIM30BK (30" black)
CRTRIM36WH (36" white)
CRTRIM36BK (36" black)

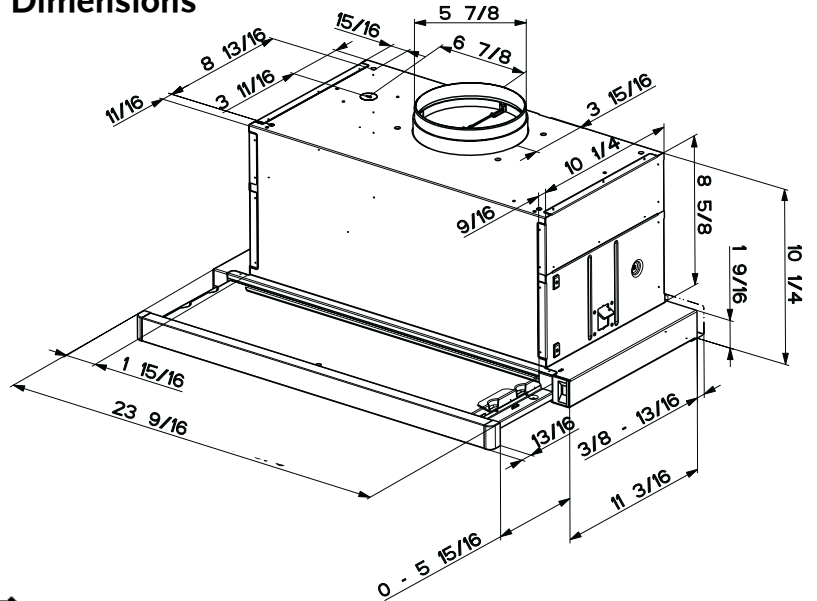


CRIS24SS

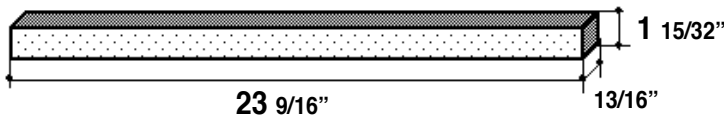
Dimensional Diagrams 24" (see installation instructions for more information)



24" Product Dimensions



Custom Front Panel Dimensions



Feature Chart

Size / CFM	24" / 300 CFM
Cabinet Cut Out	19 3/4" (W) x 10 3/8" (D)
Convertible to Recirculating	Yes - charcoal kit required (#FILTER1)
Controls	3 Speed Slider
Lighting	2 X 20 (W) Halogen
Ducting Top	6" Round
Ducting Direct Rear Vent	N/A
Grease Filters (front and rear)	Yes - (2) dishwasher safe mesh filters
Auto On / Off	Yes - fan / lights on w/ pull out
Integrate front panel	Yes - Use your own custom front
Stainless Steel Front Panel	Yes
Make Up Air Compliant	Yes - 300 cfm
Built In Mounting Hardware	Yes - EasySnap Mounting Clips
AC Input / AC Power	(120 V - 60 hz) / (Max 190 W at 1.8 A)
Green Energy Saver Mode	Yes
Annual Electricity Costs	\$2.35 / Year *



WARNING! Product specifications are subject to change without notification. Consult the installation instructions before you begin installing this range hood.