

DWT 56502 SERIES

14 Place Settings
Top control screen



Main Features

- 6 programs
- 3 wash temperatures
- Brushless DC™ motor
- Condensing drying system
- 48 dBA wash noise level
- Program follow-up display
- Time delay up to 1-24 hrs.
- Auto tablet detergent function
- 1/2 load function
- Sanitize function
- ExtraRinse function
- RapidClean function
- 3 way euro filtering system
- Light indicator on floor
- smartFIT™ front adjustable rear feet
- smartBALANCE™ front adjustable hinge system
- smartPIN™ joint handle system
- Interior highloop with air gap
- Power plug

Interior Design

All stainless steel tank
Three spray arms (lower, upper and ceiling)

Base Rack Loading System

Unloaded adjustable upper rack
2 adjustable mug shelves
Sliding cutlery basket
Fixed lower rack tines

Color

DWT 56502 SS: Stainless steel
DWT 56502 FBI: Fully integrated



FEATURES



14place
settings

14 Place Settings

Blomberg dishwashers can perfectly clean dishes upto 14 place settings without leaving any piece of cutlery out.



RapidClean

The dishwasher increases the washing temperature and adjust the water pressure to provide up to 2 times faster cleaning performance.



Auto Tablet

Sensors detects rinse aid and automatically sets drying cycle duration. This provides the best drying results without any concern.



Brushless DC™ Motor

Variable speed circulation motor allows to use optimum necessary amount of water and energy. Due to magnetic design the motor has no persistent low frequency sound, and creates less vibration.



digital
display

Digital Display

The electronic display is a quick and easy way to select your programs. Additionally, models with top control panel with numerical display offer a noise level adjustable “end of cycle audible signal”. Hidden control panel prevents your children from changing programs and playing with your dishwasher.



double motion
float system

Double Motion Float System

All Blomberg dishwashers have a double motion float system (DMFS) that provides maximum security against water damage and a bottom tray to prevent flooding.

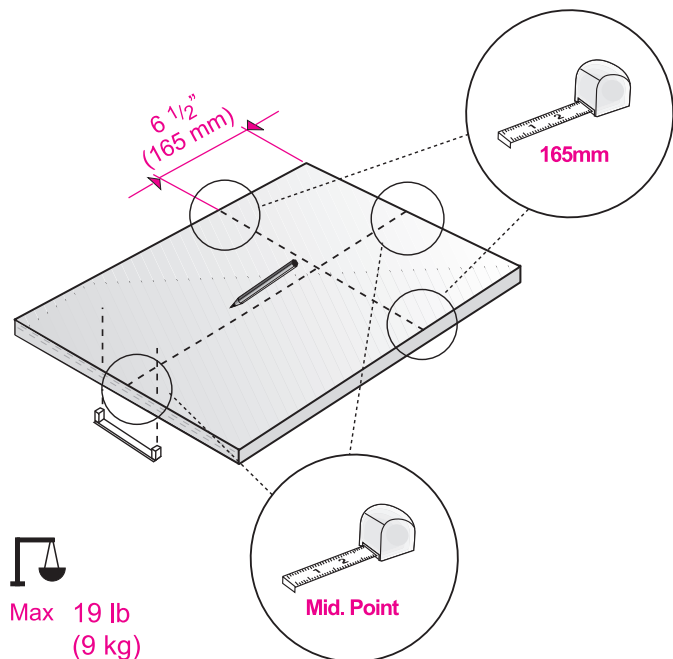
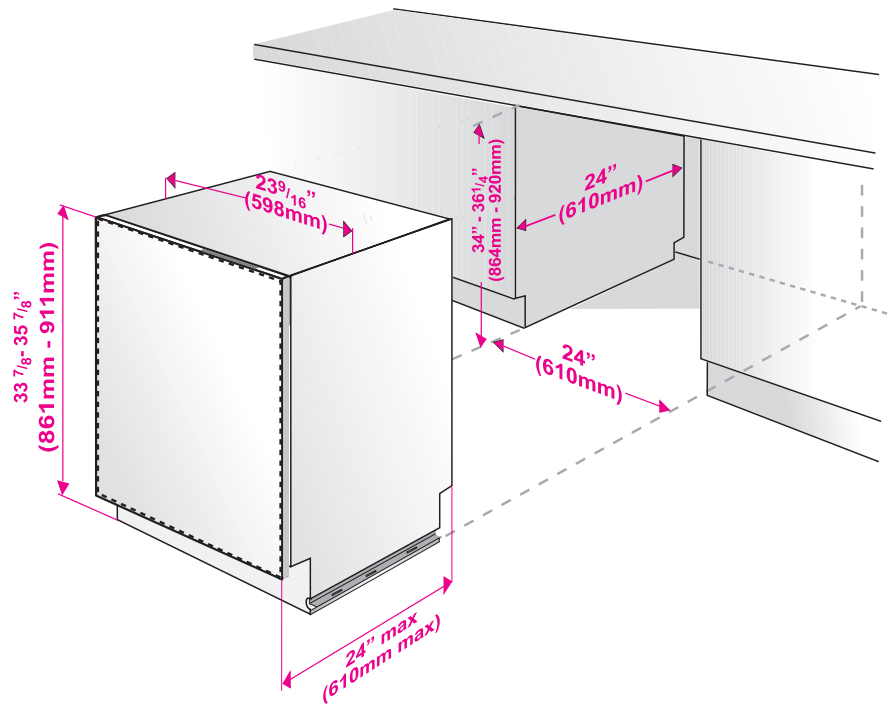
Blomberg®

seit 1883

DWT 56502 SERIES

14 Place Settings Top control screen

CONTROLS		
Control Type	Electronic	
Position	Top	
MAIN FEATURES		
Loading Capacity (place settings)	14	
Tub material	Stainless Steel	
Inner door material	Stainless Steel	
Interior illumination	-	
Water Softener	-	
DMFS overflow protection	✓	
5 level wash with 3rd spray arm	✓	
Delay timer up to 1-24 hrs	✓	
3 way euro filter	✓	
Drying	Condensation	
Brushless DC™ motor	✓	
Turbidity sensor	✓	
Silence level, dBA	48 dBA	
ProCare	✓	
Auto Tablet function	✓	
1/2 Load function	✓	
Sanitize function	✓	
ExtraRinse function	✓	
SuperGloss function	-	
RapidClean function	✓	
PowerWash function	-	
Self Cleaning Filter	-	
SmartPIN™ joint	✓	
Interior high loop with airgap	✓	
Power Plug	✓	
PROGRAMS		
Number of programs	6	
Pots and pans plus (167°F rinse temp)	✓	
Pots and pans (158°F rinse temp)	✓	
Auto program (131°F - 149°F rinse temp)	-	
MixWash+	-	
Regular Wash (142°F-145°F rinse temp)	✓	
DailyWash	✓	
China/Crystal (149°F rinse temp)	-	
GlassCare	-	
QuickWash (131°F rinse temp)	✓	
Rinse & Hold	✓	
DISPLAY		
Program sequence	✓ / Screen	
Rinse aid indicator	Electronic	
Rinse aid indicator display	✓	
Salt indicator display	-	
Light Indicator on Floor	✓	
RACK SYSTEM		
smartFold™ lower rack folding tines	-	
Lower rack embossed stainless handle	-	
Cutlery basket	Sliding	
Upper rack (inset shelves)	2	
smartFold™, upper rack folding tines	-	
FlexiRack™, adjustable upper rack	Unloaded	
FlexiDrawer, removable 3rd rack	-	
Lower basket wine glass holder	-	
Nylon coated racks	✓	
DIMENSIONS		
Packed (HxWxD)	in	35x25 3/16x26
	cm	88,9x64.4x66.1
Packed Weight	(lb/kg)	95/43
Unpacked (HxWxD)	in	33 7/8x23 9/16x22 2/5
	cm	86.1x59.8x57
Unpacked Weight	(lb/kg)	87/40
ENVIRONMENTAL STANDARDS		
Energy Star qualified	✓	
Energy consumption, kWh/year	255	
Water consumption, gal/cycle	3,5 - 5,0	
RoHS* compliant	✓	



Max 19 lb
(9 kg)

Mid. Point

* Lead-free