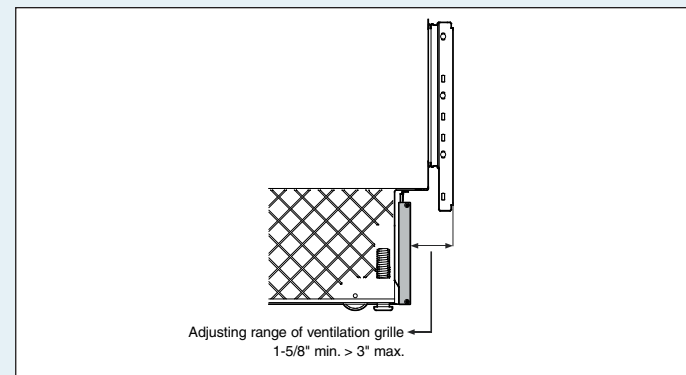
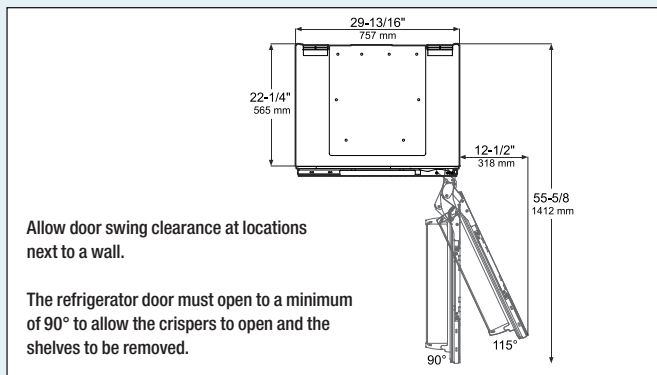
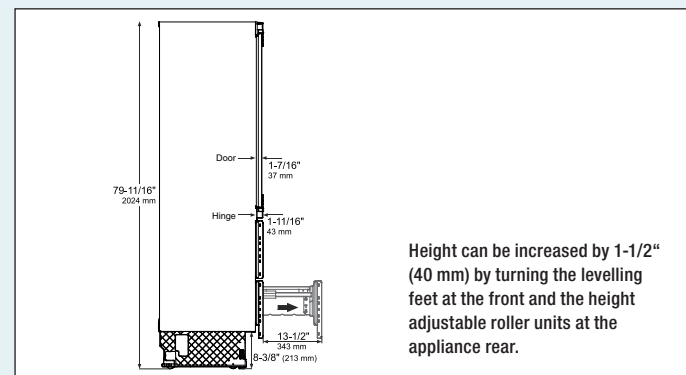
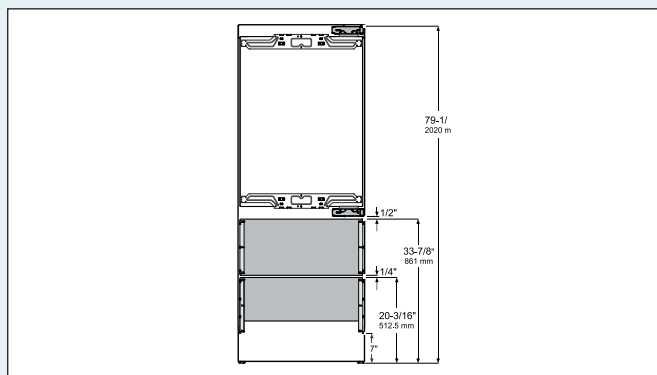


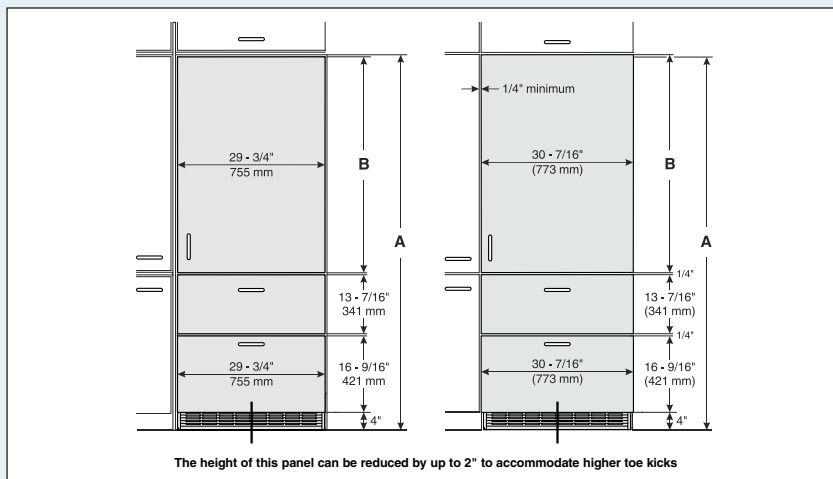
Diagrams

◀30"▶

Unit Dimensions



Panel Dimensions



Minimum panel thickness is 5/8" (16 mm).

Maximum panel thickness is 1-1/2" (38 mm).

Maximum weight of the refrigerator panel is 60 lbs (27 kg).

Maximum weight of each freezer panel is 26.5 lbs (12 kg).

Cabinet opening A	Cabinet opening B
80"	45-1/4" (1150 mm)
84"	49-1/4" (1251 mm)"

Minimum panel thickness is 5/8" (16 mm).

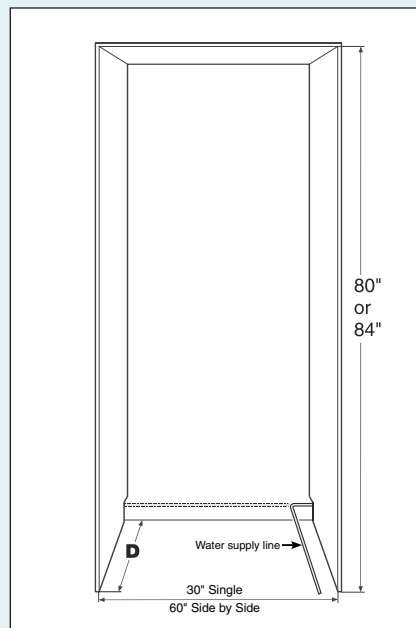
Maximum panel thickness is 1-1/2" (38 mm).

Maximum weight of the refrigerator panel is 60 lbs (27 kg).

Maximum weight of each freezer panel is 26.5 lbs (12 kg).

Cabinet opening C	Cabinet opening D
80"	45-3/4" (1162 mm)
84"	49-3/4" (1264 mm)"

Cabinet Opening Dimensions



Inset cabinet Depth D	Inset cabinet Depth D
24" + panel thickness	24"

IMPORTANT
Factory available stainless steel panels are designed for an inset installation only and require a cabinet / gable depth of 24 - 3/4".



Liebherr HC 1540
Fully Integrated/Seamless



Fully Integrated/Seamless

◀30"▶

The **HC 1540** model is perfect for a seamless design because it is cleverly concealed behind cabinet doors. With a fully integrated door-on-door system that incorporates strong hinges for a convenient closing of doors even when fully loaded. Double freezer drawers mounted on smooth telescopic rails offer more than 4 cubic feet of storage space and the drawer system offers convenient handling and viewing of food stored. A water connection is not needed for the IceMaker thanks to a well appointed 1.5 liter internal water tank that is conveniently removable for filtered water to produce ample pure crescent ice.



Fully Integrated/Seamless

Energy consumption

in 365 days kWh
Estimated Yearly Energy Cost in US \$

Capacity

Total capacity cu.ft. (l)
Refrigerator comp. cu.ft. (l)
NoFrost Freezer comp. cu.ft. (l)

Shipping weight lbs. (kg)

Climate rating

Sound rating dB(A)

Ice cube output lbs. (kg) / 24h

Ice cube stock lbs. (kg)

Door hinges

Product dimensions

in inches (cm) H/W/D

Cut out dimensions

in inches (cm) H /W/D

Energy supply

Voltage V/Hz

HC 1540 Premium



507

61*

14.1 (400)

9.8 (278)

4.3 (122)

352.7 (160)

SN-T

42

3.1 (1.4)

7.9 (3.6)

right

79 13/16" / 29 13/16" / 24 1/16" (202.7 / 75.7 / 61)

80" / 30" / min 24 1/16" (203.2 / 76.2 / min 61)

115/60

* Your Energy Cost will depend on your utility rates and use. Estimated energy cost based on a national average electricity cost of 12 cents per kWh

** Noise level – sound power re 1pW – according to EN 60704-3

Advantages

◀30"▶



German Engineering: Our superior products offer premium quality, cutting edge design and innovative features that fit with your busy lifestyle. Plus, exclusive components and materials along with the latest production processes ensure energy efficiency and performance for years to come.



Duo Cooling

DuoCooling: The dual refrigeration system creates optimal conditions in both the refrigerator and freezer which lengthens the shelf life of food items for a healthier lifestyle. This technology also preserves the flavor and texture of foods since there is no transfer of unwanted air, moisture or food aroma between the two compartments.



SuperCool/SuperFrost: Simply quick chill and or freeze fresh groceries to preserve optimum freshness and seal in flavors, textures as well as maintain essential vitamins and minerals.



Super Quiet

SuperQuiet: Noise is kept to a minimum with virtually silent, speed controlled compressors and a low noise cooling circuit; while also ensuring exact performance, energy efficiency and SuperQuiet operation.



Energy Star: Liebherr refrigerators help to produce less energy waste and greenhouse gas emissions with the aim to have the least damaging effect on the environment and offering solutions that help consumers conserve energy.



Glass Line

GlassLine: The elegant yet tough GlassLine shelves are scratch resistant and easy to clean as well as dishwasher safe. The space-saving shelves are designed for organization and are completely adjustable to suit your needs and the contents of the refrigerator; additionally the lighting shines through for a brighter interior.



LED

LED: Distinctive LED light columns are integrated into both sides of the compartment liner. Inside the columns are numerous cool LED lights that ensure uniform lighting throughout the interior.



Electronic Control

Electronic Display: Our intuitive electronic touch control panel ensures all functions are easy and convenient to use as well as guarantees that the settings selected remain accurate and constant.



Door-on-door technology: Allows custom panels to be affixed directly onto the appliance so that the hinges are concealed, plus the cabinet and the fridge open as one, ensuring a wide range of design options and easy installation.