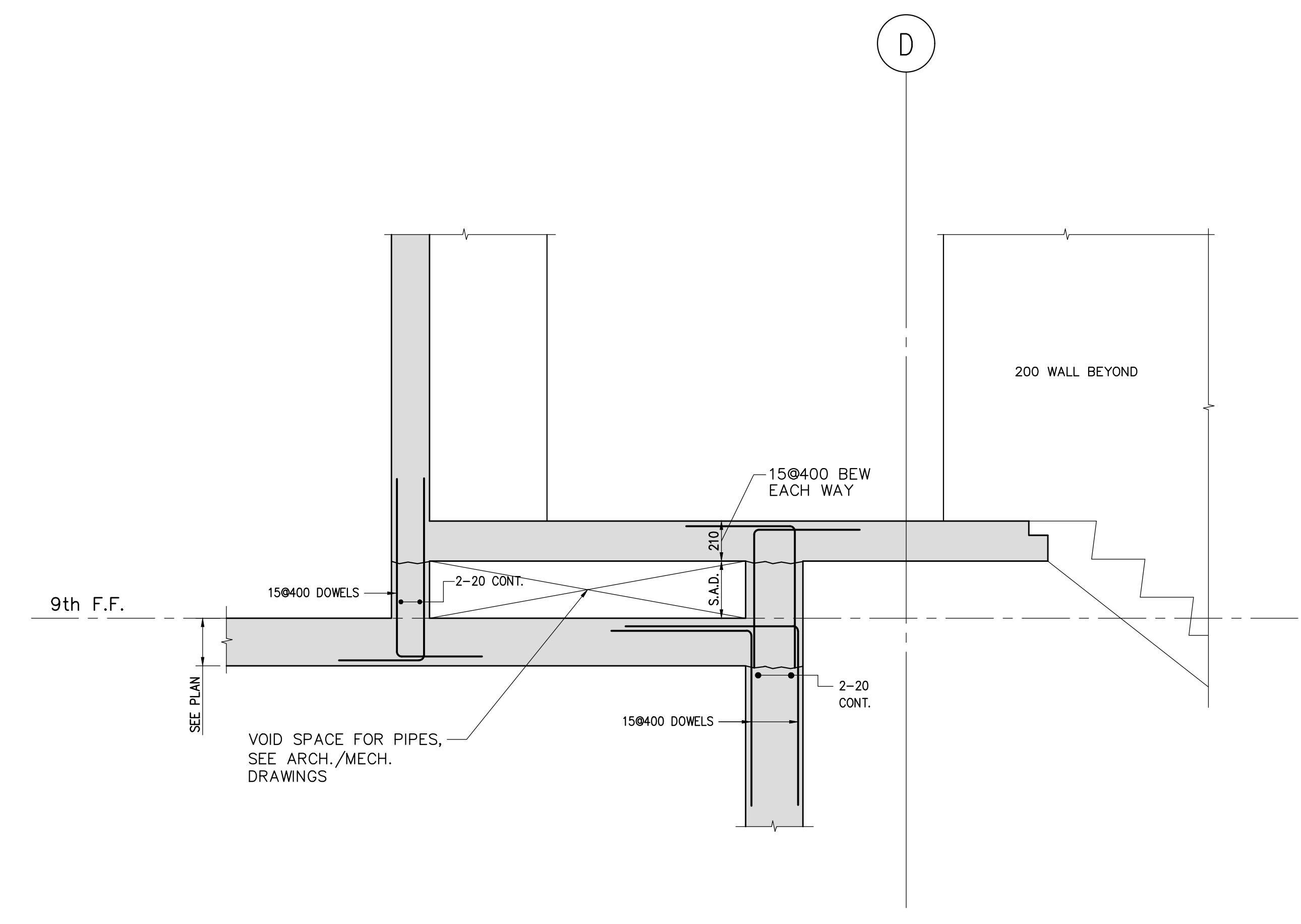
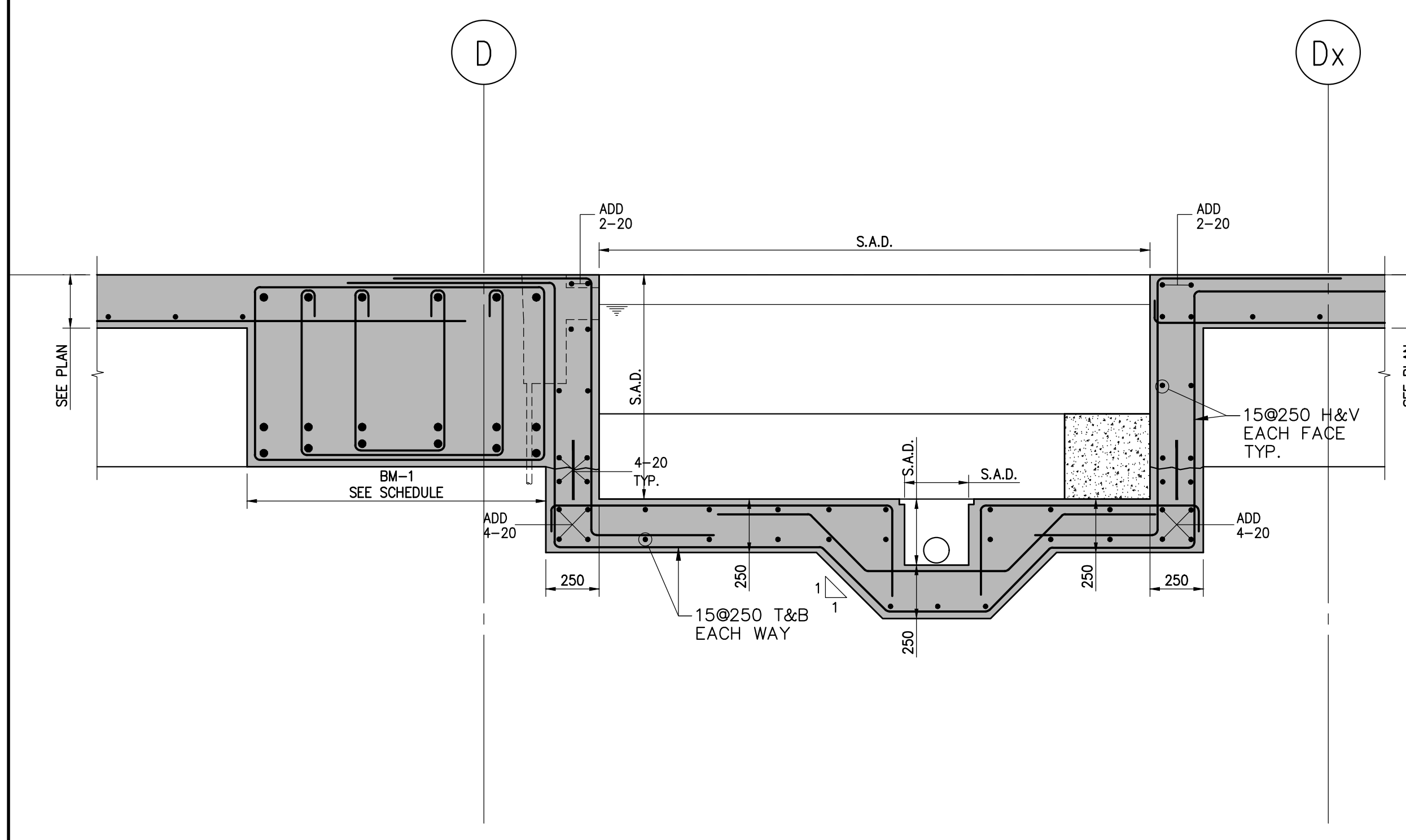


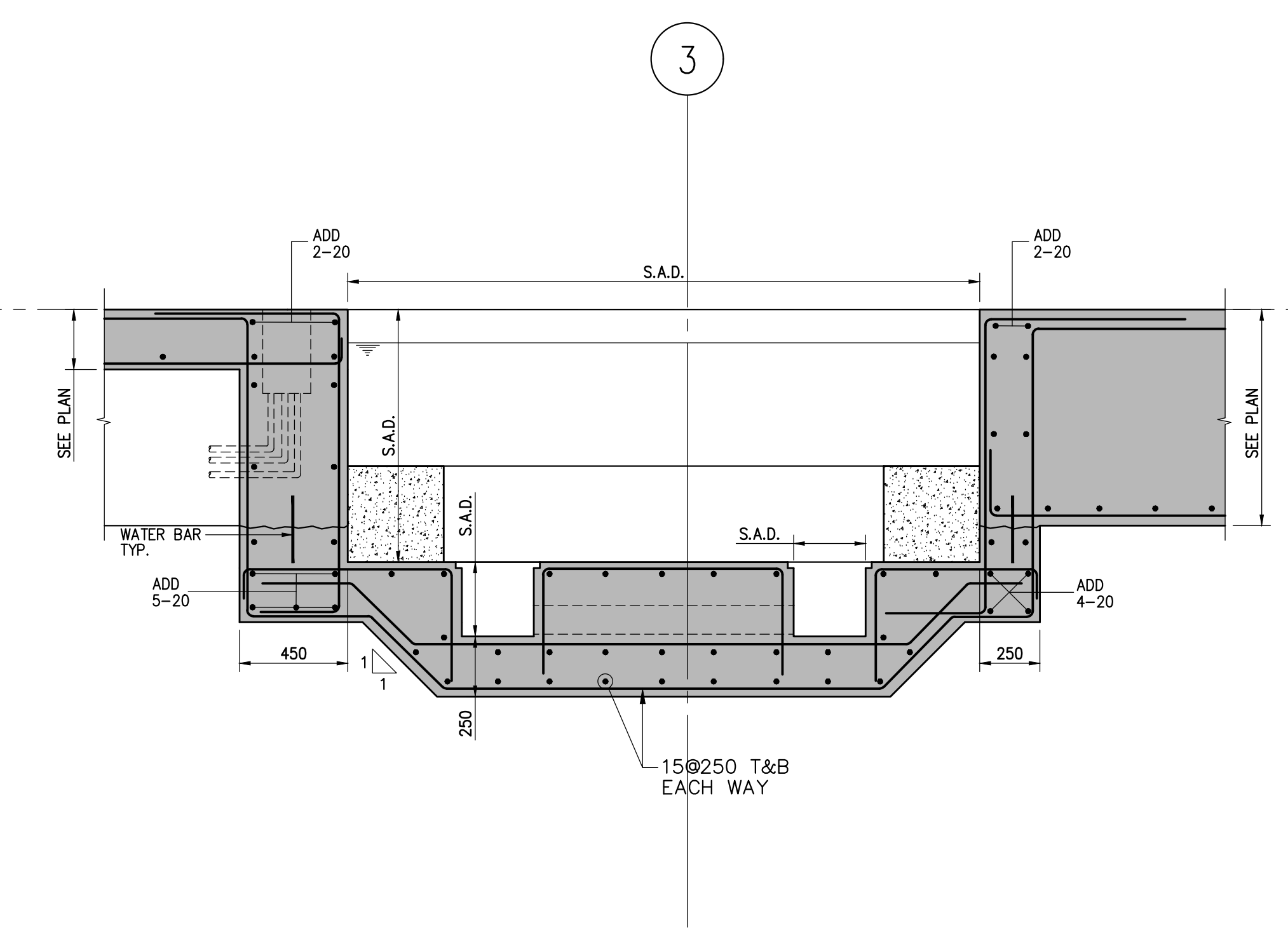
SECTION 1
SCALE 1:20
S-306



SECTION 4
SCALE 1:20
S-306



SECTION 2
SCALE 1:20
S-306
SEE POOL MECH. DRAWINGS FOR SLEEVES SIZE & LOCATIONS



SECTION 3
SCALE 1:20
S-306
SEE POOL MECH. DRAWINGS FOR SLEEVES SIZE & LOCATIONS

Jablonsky, Ast
and Partners
CONSULTING
ENGINEERS
1128 LESLIE STREET
DOR MILLS, ON, M3C 2K5
TEL: 416-447-7400
FAX: 416-447-2771
E-mail: jsp@ast.on.ca



FIRST FLOOR ELEV. 93.60m

NO.	ISSUED / REVISED	DATE
1	ISSUED FOR PERMIT	2014-05-03
2	RE ISSUED FOR PERMIT	2014-07-01
3	ISSUED FOR FORMING TRENCH	2014-08-27
4	CONSTRUCTION REVIEW	2015-03-11
5	RE ISSUED FOR PERMIT	2015-01-27
6	ISSUED FOR CONSTRUCTION	2015-03-11
7	UPDATED - P.C.	2015-04-03
8	UPDATED - P.C.	2015-05-21
9	ISSUED FOR B.P.	2015-07-01
11	ISSUED FOR B.I.I.	2015-11-04

ALEXANDRA PARK - BLOCK 11
TORONTO, ONTARIO

project no: 13015
scale: 1:25
drawn by: H.W.
reviewed by: H.P.
date stamped: MARCH 2014